



US00D385886S

United States Patent [19]

[11] Patent Number: **Des. 385,886**

Stratelak et al.

[45] Date of Patent: ****Nov. 4, 1997**

[54] PHONE PLACARD

[75] Inventors: **Gerard A. Stratelak**, Wheaton; **Gary B. Volpe**, Rolling Meadows; **Karen Frick**, Long Grove; **David Prahl**, Barrington, all of Ill.

[73] Assignee: **Ameritech Services, Inc.**, Hoffman Estates, Ill.

[**] Term: **14 Years**

[21] Appl. No.: **59,449**

[22] Filed: **Sep. 11, 1996**

Related U.S. Application Data

[62] Division of Ser. No. 41,776, Jun. 27, 1995.

[51] LOC (6) CL **14-03**

[52] U.S. Cl. **D14/240; D6/300; D14/254; D19/87; D20/10**

[58] Field of Search **D14/240, 250, D14/251-254; D20/10, 40; D19/87, 90; D6/300, 309, 310, 314; 379/440, 447, 450, 454, 441; 40/336, 339, 337**

[56] References Cited

U.S. PATENT DOCUMENTS

D. 76,984	11/1928	Chester	D20/10
D. 242,808	12/1976	Moberg	D19/87
D. 249,351	9/1978	Mattera	D19/87
D. 249,514	9/1978	Loeb	D14/254
D. 256,258	8/1980	Varrin	D14/254 X

D. 262,026	11/1981	Garan	D14/240
D. 272,735	2/1984	Frick et al.	D19/87 X
D. 285,810	9/1986	Glasener	D20/10
D. 318,376	7/1991	Evans	D6/309
D. 347,857	6/1994	Coe	D19/254 X
2,981,021	4/1961	Clark	40/336
4,330,692	5/1982	Foreman, Sr.	40/336 X
5,173,937	12/1992	Sugiyama	379/447 X
5,276,986	1/1994	Thomas	40/336

Primary Examiner—Jeffrey Asch
Attorney, Agent, or Firm—Brinks Hofer Gilson & Lione

[57] CLAIM

The ornamental design for a phone placard, as shown and described.

DESCRIPTION

FIG. 1 is a perspective view of a phone placard showing our new design, the broken line showing of a telephone being for illustrative purposes only and form no part of the claimed design;

FIG. 2 is a front view of the phone placard shown in FIG. 1;

FIG. 3 is a rear view of the phone placard shown in FIG. 1; FIG. 4 is a right side view of the phone placard shown in FIG. 1;

FIG. 5 is a left side view of the phone placard shown in FIG. 1;

FIG. 6 is a top view of the phone placard shown in FIG. 1; and,

FIG. 7 is a bottom view of the phone placard shown in FIG. 1.

1 Claim, 2 Drawing Sheets

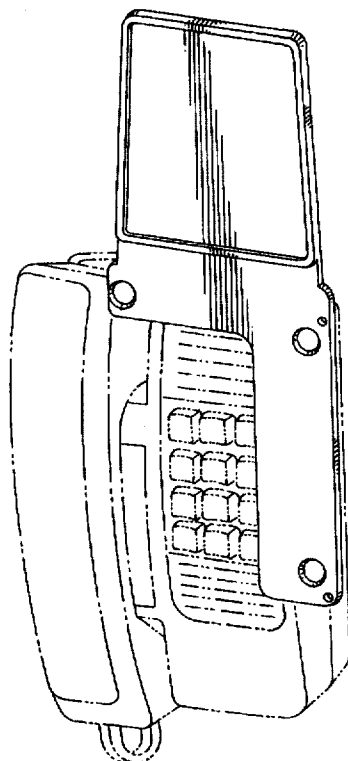


FIG. 1

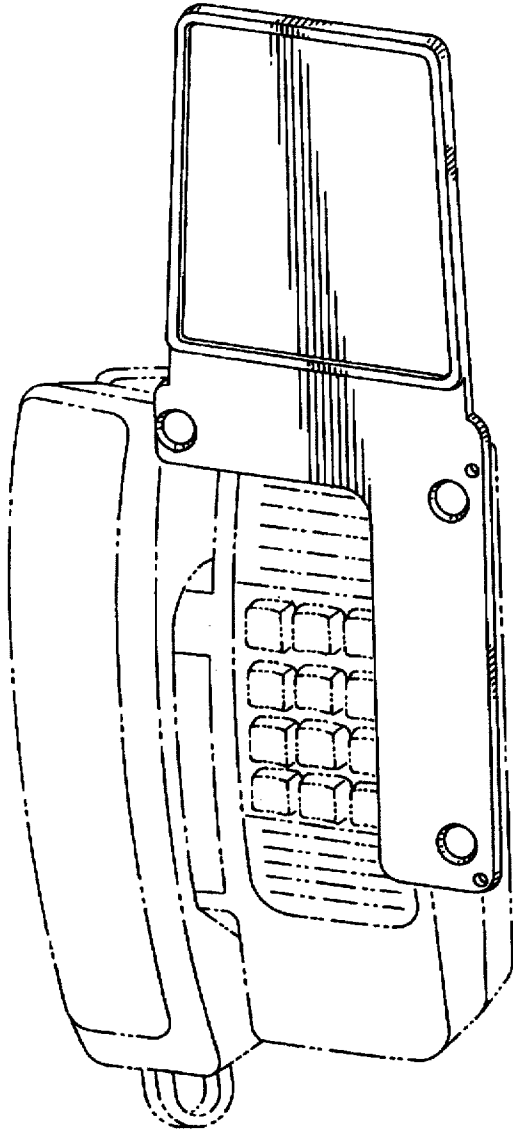


FIG. 2

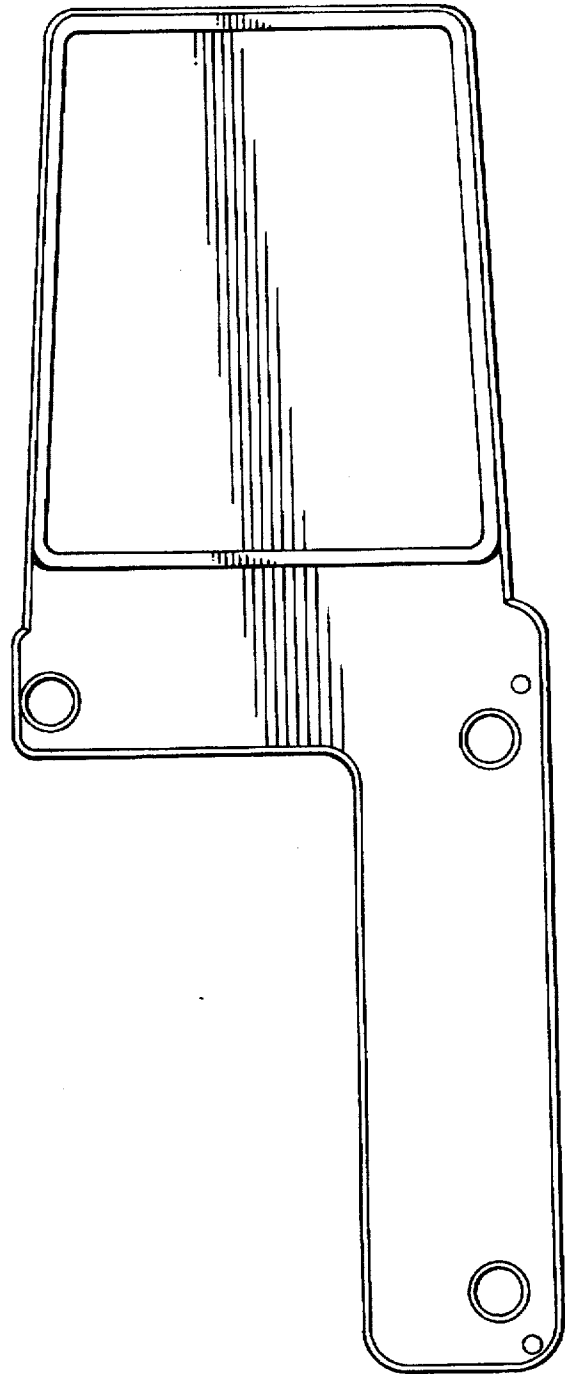


FIG. 3

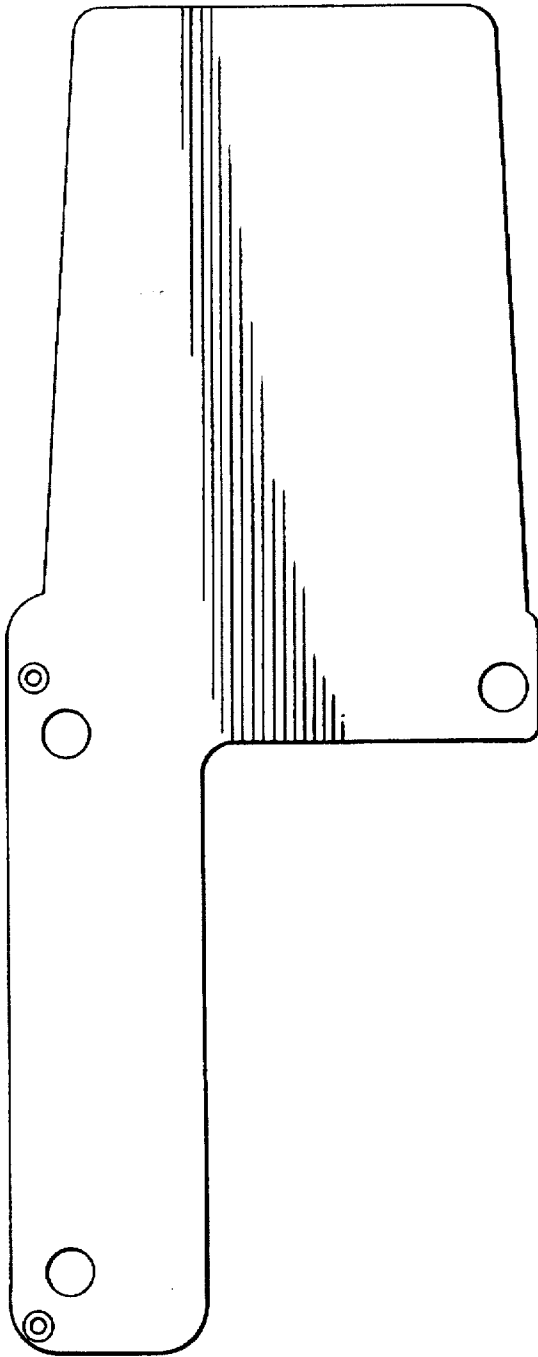


FIG. 4



FIG. 5



FIG. 6



FIG. 7

