



(12) **United States Design Patent**  
**Morand et al.**

(10) **Patent No.:** **US D943,301 S**  
(45) **Date of Patent:** **\*\* Feb. 15, 2022**

- (54) **FILM-DISPENSING CASSETTE FOR GARBAGE**
- (71) Applicant: **INTERNATIONAL REFILLS COMPANY LTD.**, Christ Church (BB)
- (72) Inventors: **Michel Morand**, Montreal (CA); **Hugo Moerman-Rousseau**, Montreal (CA)
- (73) Assignee: **ANGELCARE CANADA INC.**
- (\*\*) Term: **15 Years**
- (21) Appl. No.: **29/732,162**
- (22) Filed: **Apr. 22, 2020**
- (51) **LOC (13) Cl.** ..... **06-06**
- (52) **U.S. Cl.**  
USPC ..... **D6/515; D6/518**
- (58) **Field of Classification Search**  
USPC ..... **D6/512, 515, 513, 518, 519, 553; D34/10; D15/145; D7/677, 554.1, 565,**  
(Continued)

- (56) **References Cited**  
**U.S. PATENT DOCUMENTS**  
D190,713 S \* 6/1961 Bliss ..... D7/677  
D335,989 S \* 6/1993 Van Hise ..... D6/512  
(Continued)

- FOREIGN PATENT DOCUMENTS**  
CN 305370969 \* 10/2019  
EM 008210470-0001 \* 11/2020  
(Continued)

**OTHER PUBLICATIONS**

Mom's Aide Diaper Pail Refill. Mom's Aide (online) 5 pgs. Available Oct. 14, 2020 based on reviews. [Retrieved Dec. 13, 2021] [https://www.alibaba.com/product-detail/MOM-S-AIDE--Diaper-Pail\\_1600094314853.html](https://www.alibaba.com/product-detail/MOM-S-AIDE--Diaper-Pail_1600094314853.html) (Year: 2020).\*

*Primary Examiner* — Marie D. Fast Horse  
*Assistant Examiner* — Jennifer Sierra Yosinski

(74) *Attorney, Agent, or Firm* — Norton Rose Fulbright Canada LLP

(57) **CLAIM**  
We claim the ornamental design for a film-dispensing cassette for garbage, as shown and described.

**DESCRIPTION**

FIG. 1 is a top perspective view of a film-dispensing cassette for garbage in accordance with a first embodiment; FIG. 2 is a bottom perspective view of the film-dispensing cassette for garbage of FIG. 1; FIG. 3 is a top view of the film-dispensing cassette for garbage of FIG. 1; FIG. 4 is a bottom view of the film-dispensing cassette for garbage of FIG. 1; FIG. 5 is a left-side view of the film-dispensing cassette for garbage of FIG. 1, a right-side view being a mirror image thereof; FIG. 6 is a rear view of the film-dispensing cassette for garbage of FIG. 1; FIG. 7 is a front view of the film-dispensing cassette for garbage of FIG. 1; FIG. 8 is a top perspective view of a film-dispensing cassette for garbage in accordance with a second embodiment; FIG. 9 is a bottom perspective view of the film-dispensing cassette for garbage of FIG. 8; FIG. 10 is a top view of the film-dispensing cassette for garbage of FIG. 8; FIG. 11 is a bottom view of the film-dispensing cassette for garbage of FIG. 8; FIG. 12 is a left-side view of the film-dispensing cassette for garbage of FIG. 8, a right-side view being a mirror image thereof; FIG. 13 is a rear view of the film-dispensing cassette for garbage of FIG. 8; FIG. 14 is a front view of the film-dispensing cassette for garbage of FIG. 8; FIG. 15 is a top perspective view of a film-dispensing cassette for garbage in accordance with a third embodiment; FIG. 16 is a bottom perspective view of the film-dispensing cassette for garbage of FIG. 15;

(Continued)

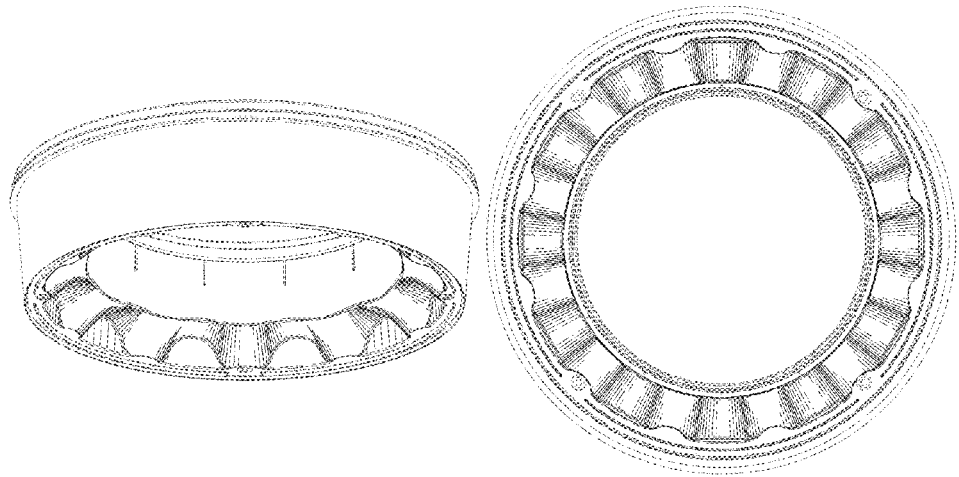


FIG. 17 is a top view of the film-dispensing cassette for garbage of FIG. 15;

FIG. 18 is a bottom view of the film-dispensing cassette for garbage of FIG. 15;

FIG. 19 is a left-side view of the film-dispensing cassette for garbage of FIG. 15, a right-side view being a mirror image thereof;

FIG. 20 is a rear view of the film-dispensing cassette for garbage of FIG. 15; and,

FIG. 21 is a front view of the film-dispensing cassette for garbage of FIG. 15.

The broken lines depict portions of the film-dispensing cassette for garbage that form no part of the claimed design. Surface shading lines have been added to illustrate the curvatures in the underside of the film-dispensing cassette for garbage.

**1 Claim, 21 Drawing Sheets**

(58) **Field of Classification Search**

USPC ..... D7/566, 568, 584, 615, 630; D14/475, D14/483, 484; 248/95, 99; 220/495.01, 220/495.04, 495.05, 495.06  
 CPC ..... E01H 2001/124; E01H 2001/1286; E01H 1/1206; E01H 2001/128; B65F 1/00; B65B 67/00; B65B 67/04

See application file for complete search history.

(56) **References Cited**

U.S. PATENT DOCUMENTS

D411,993 S \* 7/1999 Lee ..... D14/484  
 D461,686 S \* 8/2002 Ping Liu ..... D7/554.1

D661,527 S \* 6/2012 Morand ..... D6/515  
 D664,386 S \* 7/2012 Ohnishi ..... D6/515  
 D695,541 S \* 12/2013 Dunn ..... B65F 1/062  
 D6/515  
 D700,788 S \* 3/2014 Morand ..... D6/515  
 D705,567 S \* 5/2014 Morand ..... D6/515  
 D705,568 S \* 5/2014 Morand ..... D6/515  
 D706,055 S \* 6/2014 Morand ..... D6/515  
 D788,537 S \* 6/2017 Knutson ..... D7/584  
 D789,151 S \* 6/2017 Knutson ..... D7/584  
 D795,606 S \* 8/2017 Cudworth ..... D6/515  
 D802,326 S \* 11/2017 Beaver ..... D6/515  
 D808,680 S \* 1/2018 Dunn ..... D6/515  
 10,053,282 B2 \* 8/2018 Dunn ..... B65F 1/0006  
 D891,811 S \* 8/2020 Cheung ..... D6/515  
 D904,067 S \* 12/2020 Yang ..... D6/515  
 D916,484 S \* 4/2021 Yang ..... D6/515  
 D920,710 S \* 6/2021 Cheung ..... D6/515  
 D931,008 S \* 9/2021 Morand ..... D6/515  
 2008/0272140 A1 \* 11/2008 Mowers ..... B65F 1/062  
 221/69  
 2009/0100806 A1 \* 4/2009 Morand ..... B65F 1/16  
 53/567  
 2011/0309082 A1 \* 12/2011 Morand ..... B65F 1/163  
 220/495.08  
 2012/0091295 A1 \* 4/2012 Morand ..... B65F 1/065  
 248/99  
 2018/0362250 A1 \* 12/2018 Morand ..... B65F 1/062

FOREIGN PATENT DOCUMENTS

EM 008210470-0002 \* 11/2020  
 EM 008210470-0003 \* 11/2020  
 GB 9008210470-0001 \* 10/2020  
 GB 9008210470-0002 \* 10/2020  
 GB 9008210470-0003 \* 10/2020

\* cited by examiner

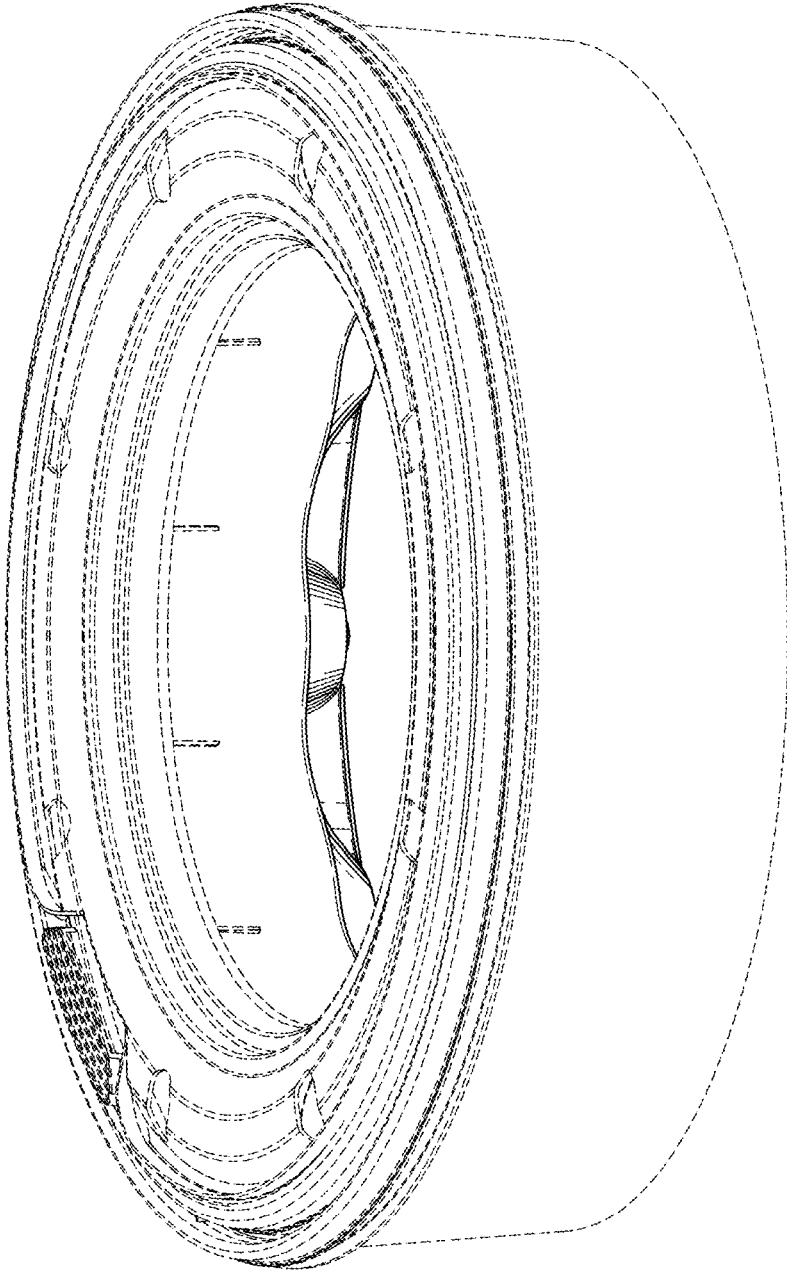


FIG. 1

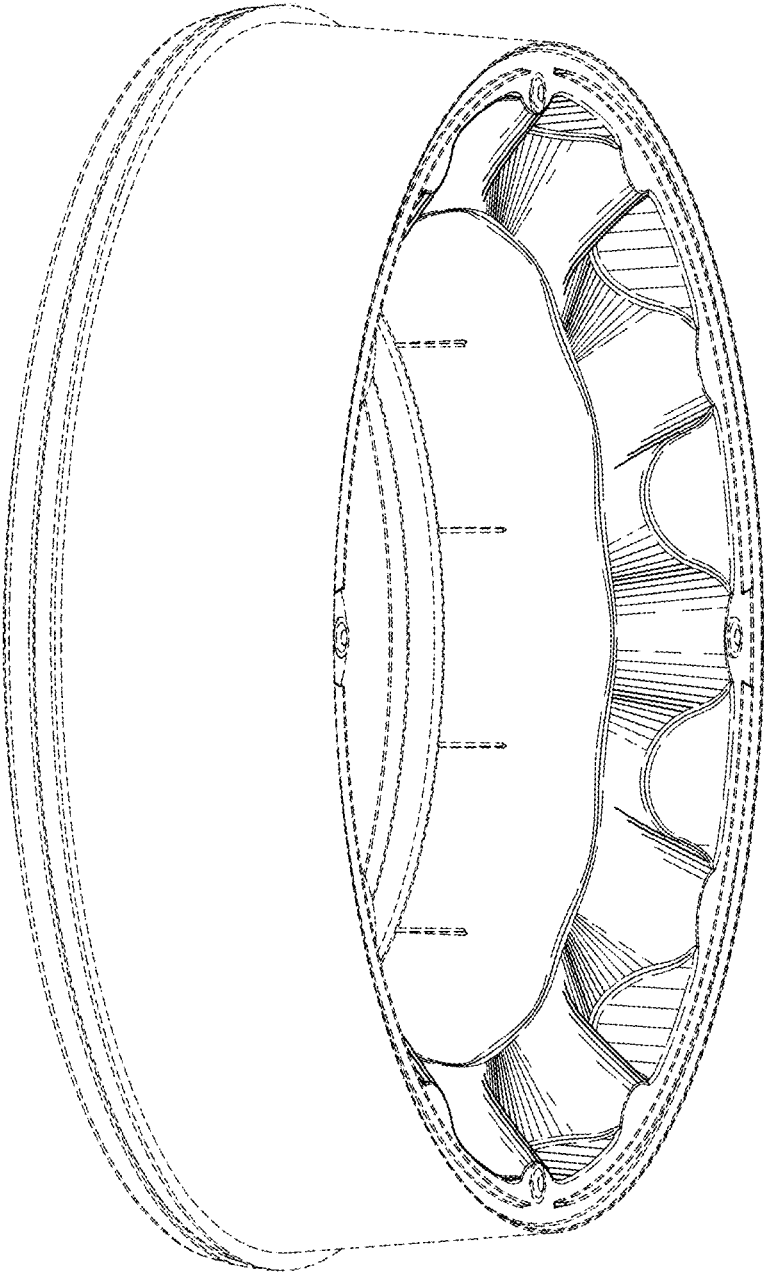


FIG. 2

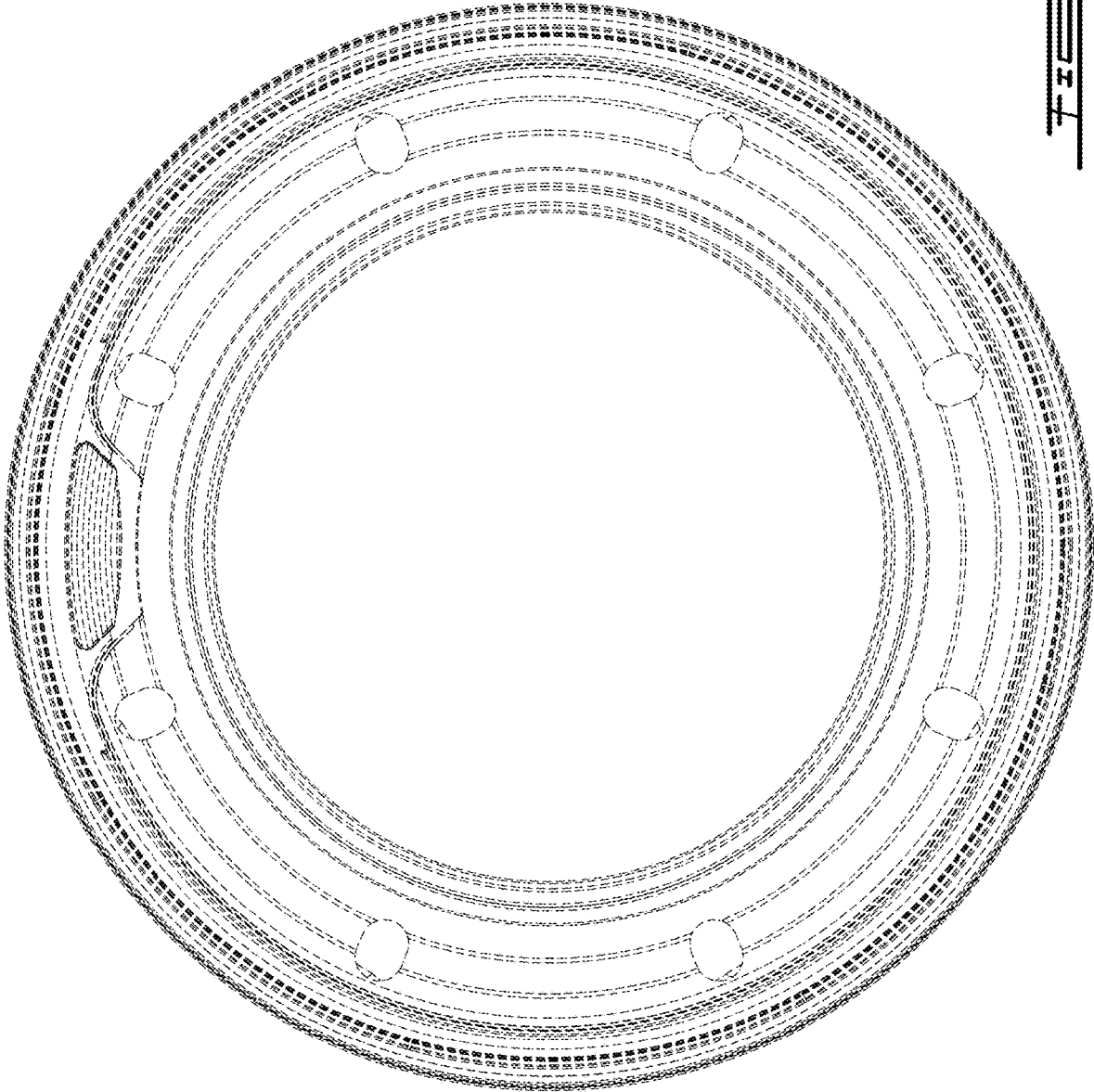


FIG. 3

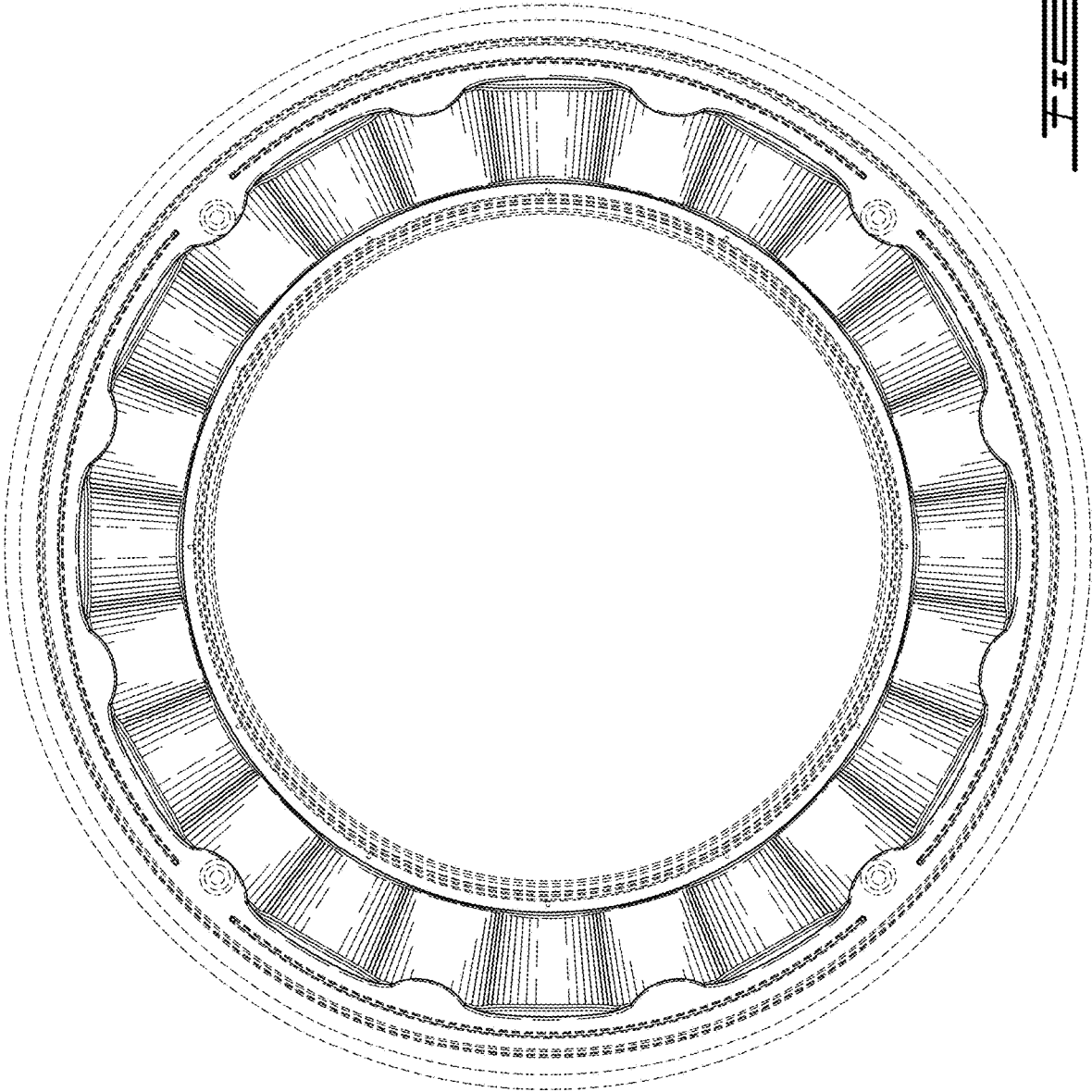


FIG. 4

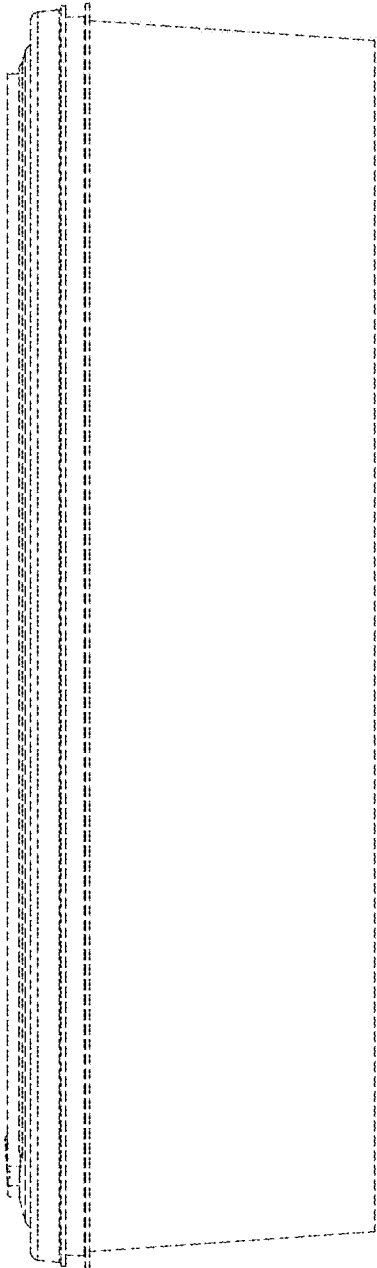


FIG. 5

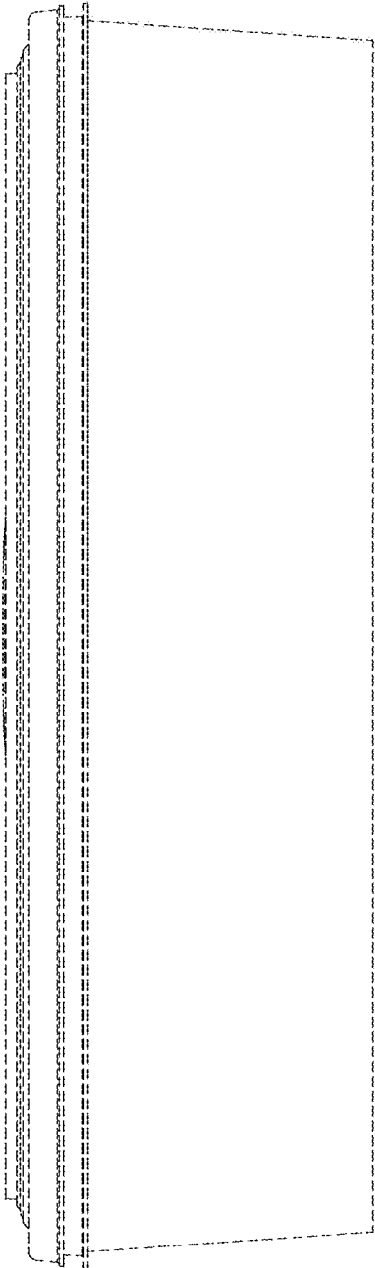


FIG. 6





FIG. 7

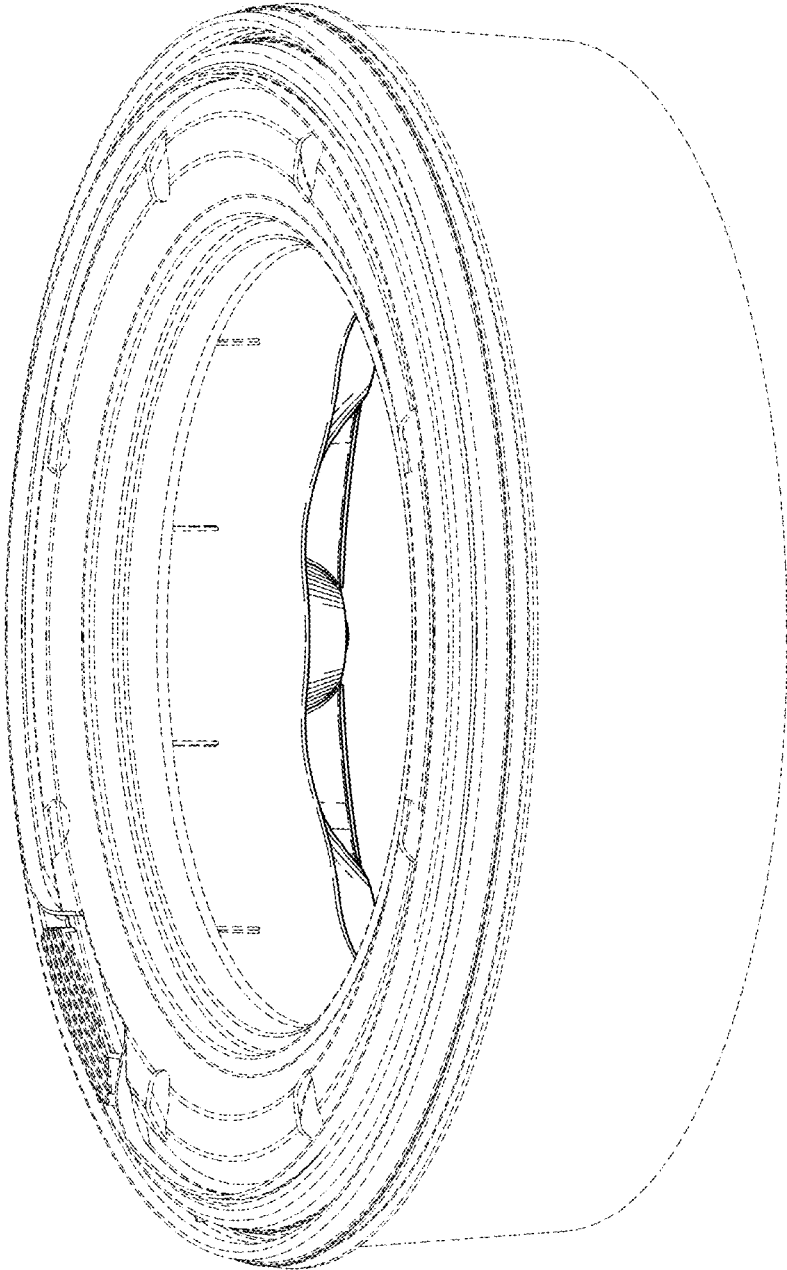


FIG. 8

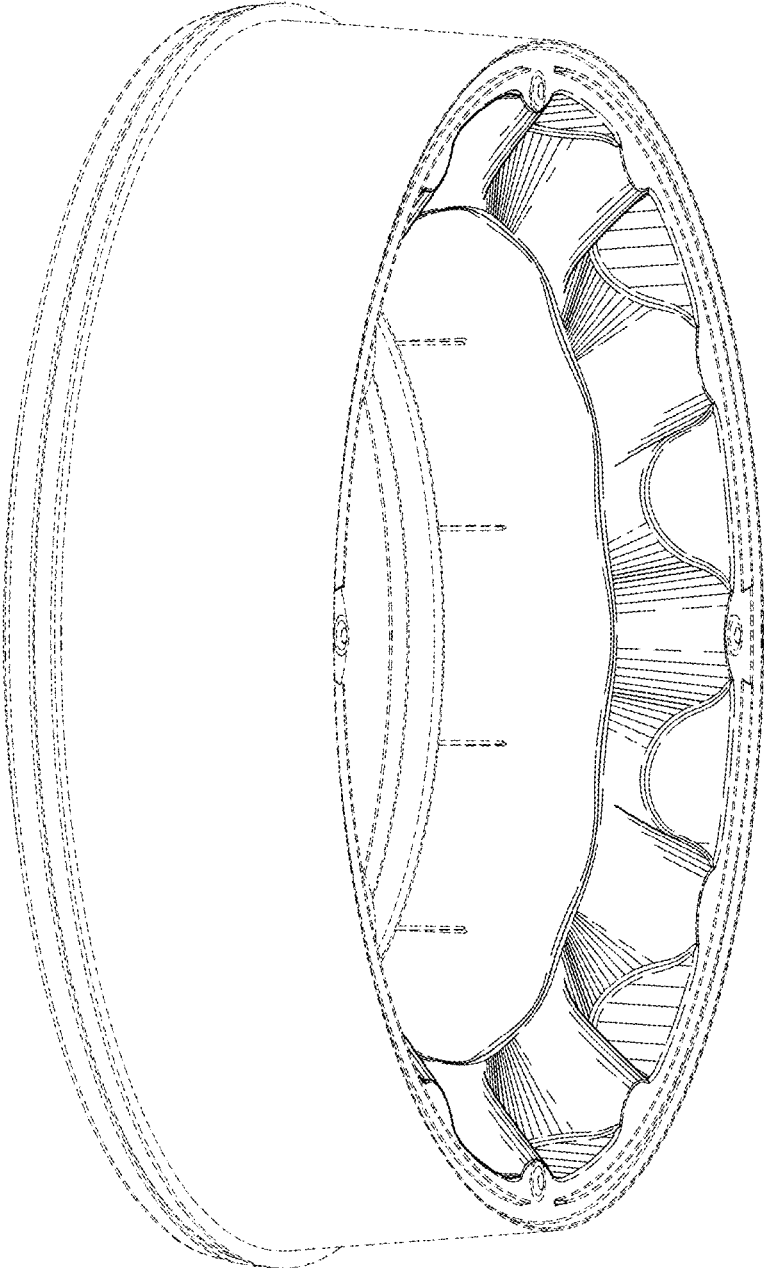


FIG. 8

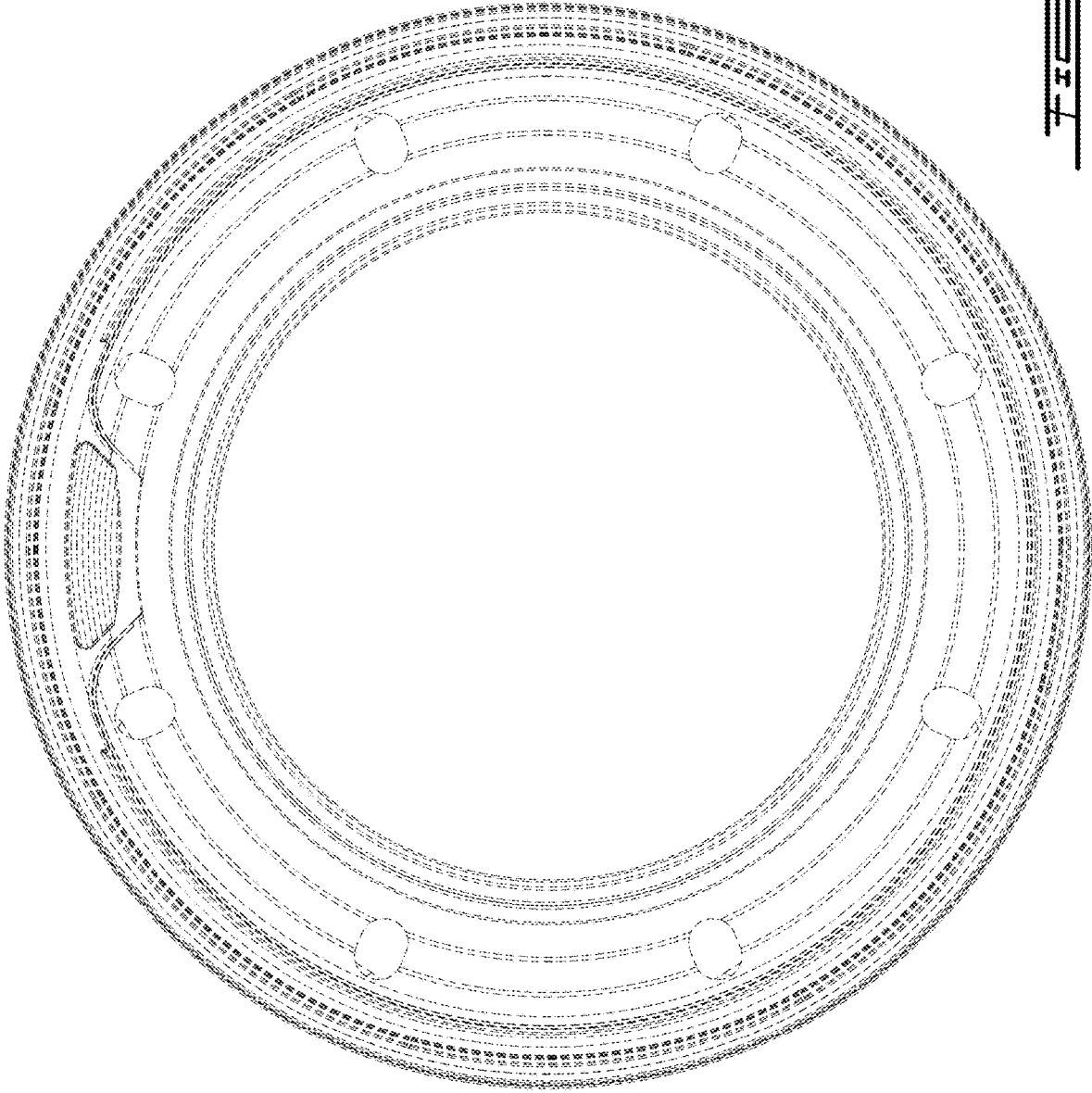


FIG. 10

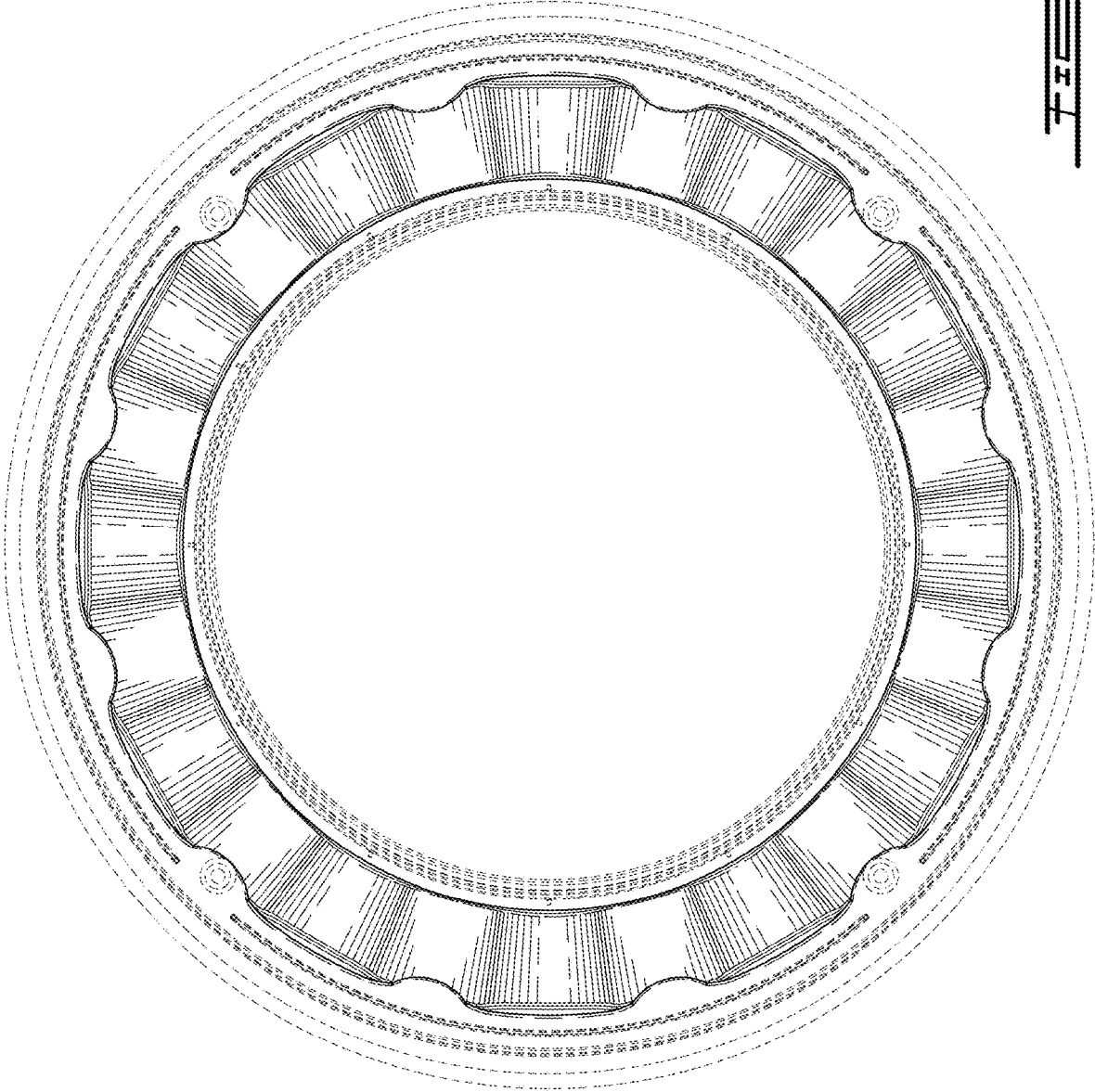


FIG. 11

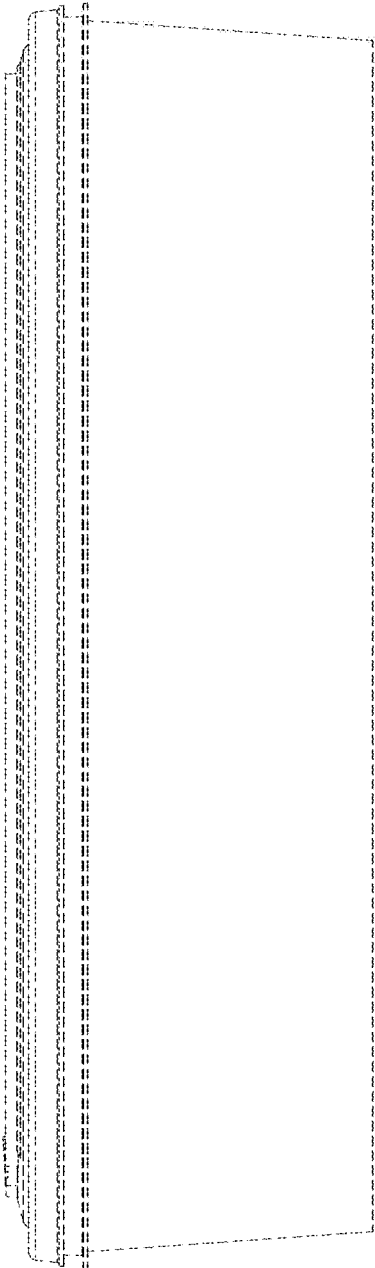


FIG. 12

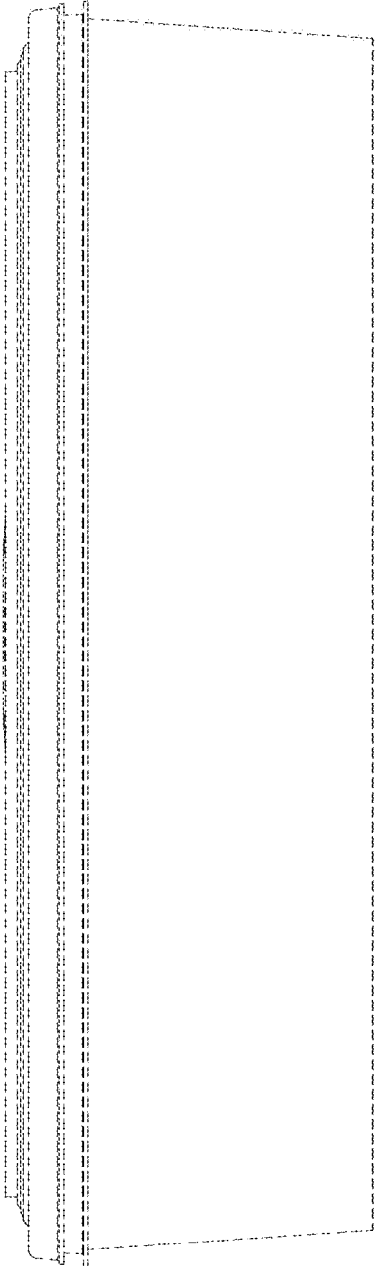


FIG. 13



FIG. 14



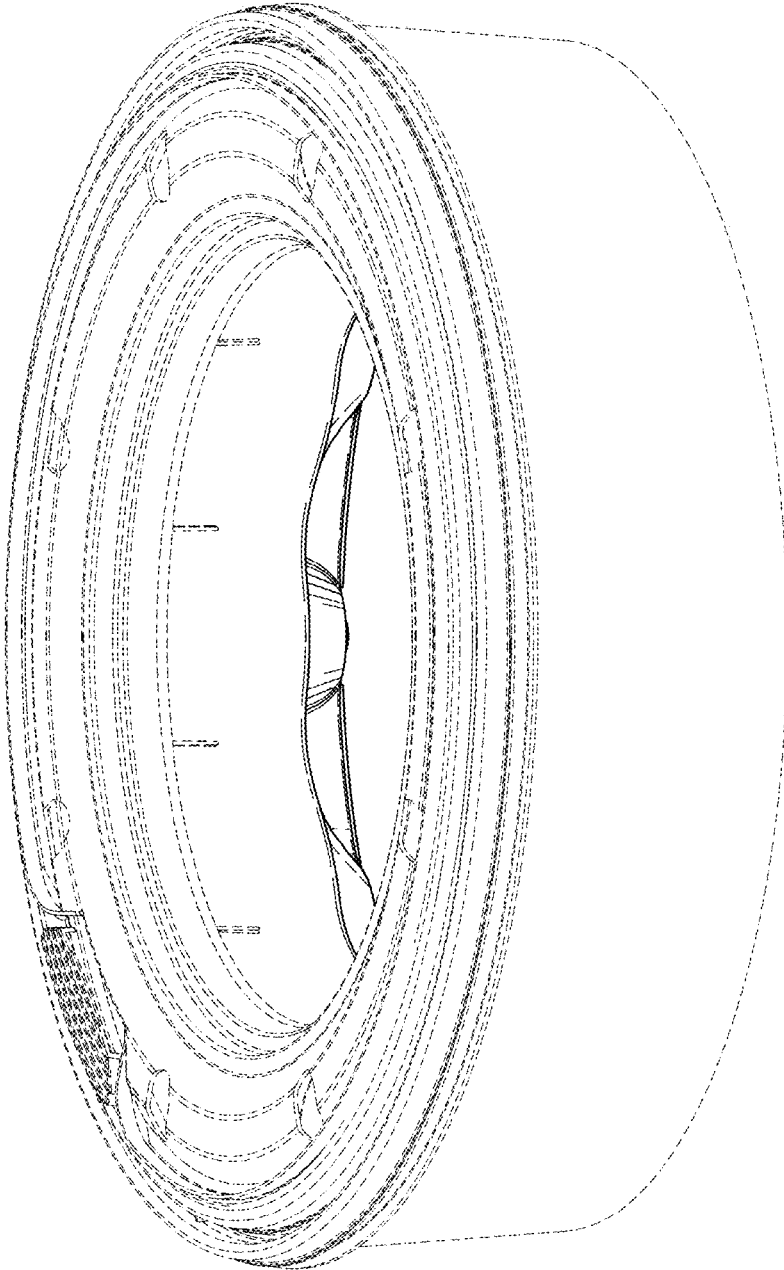


FIG. 15

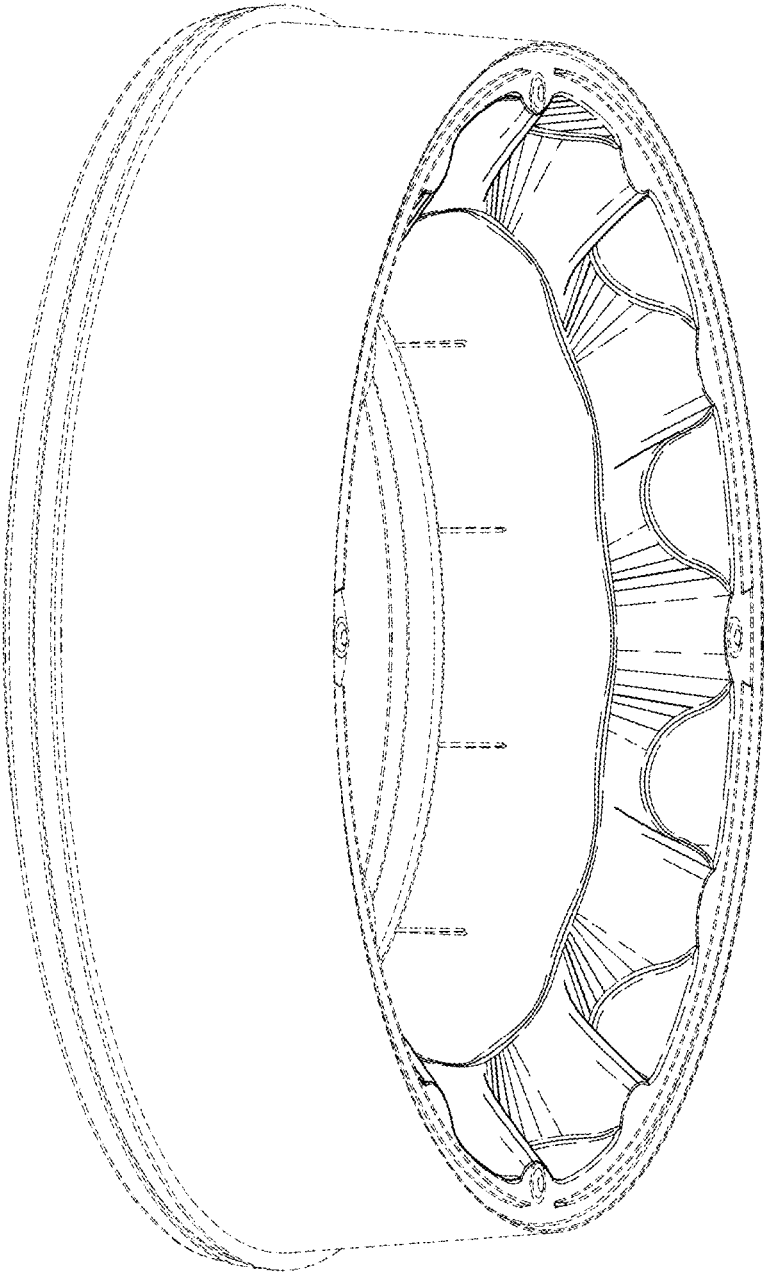


FIG. 16

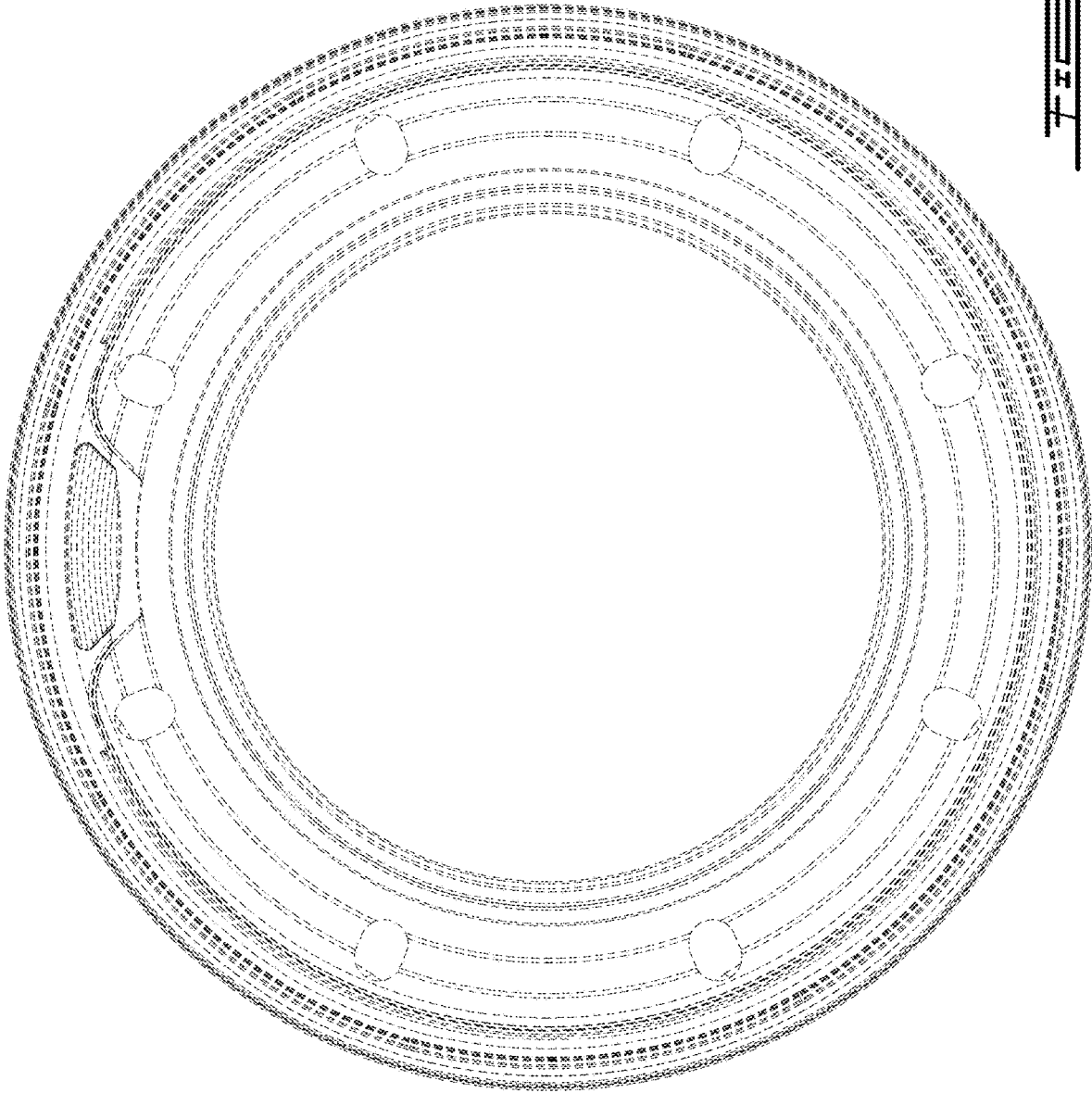


FIG. 17

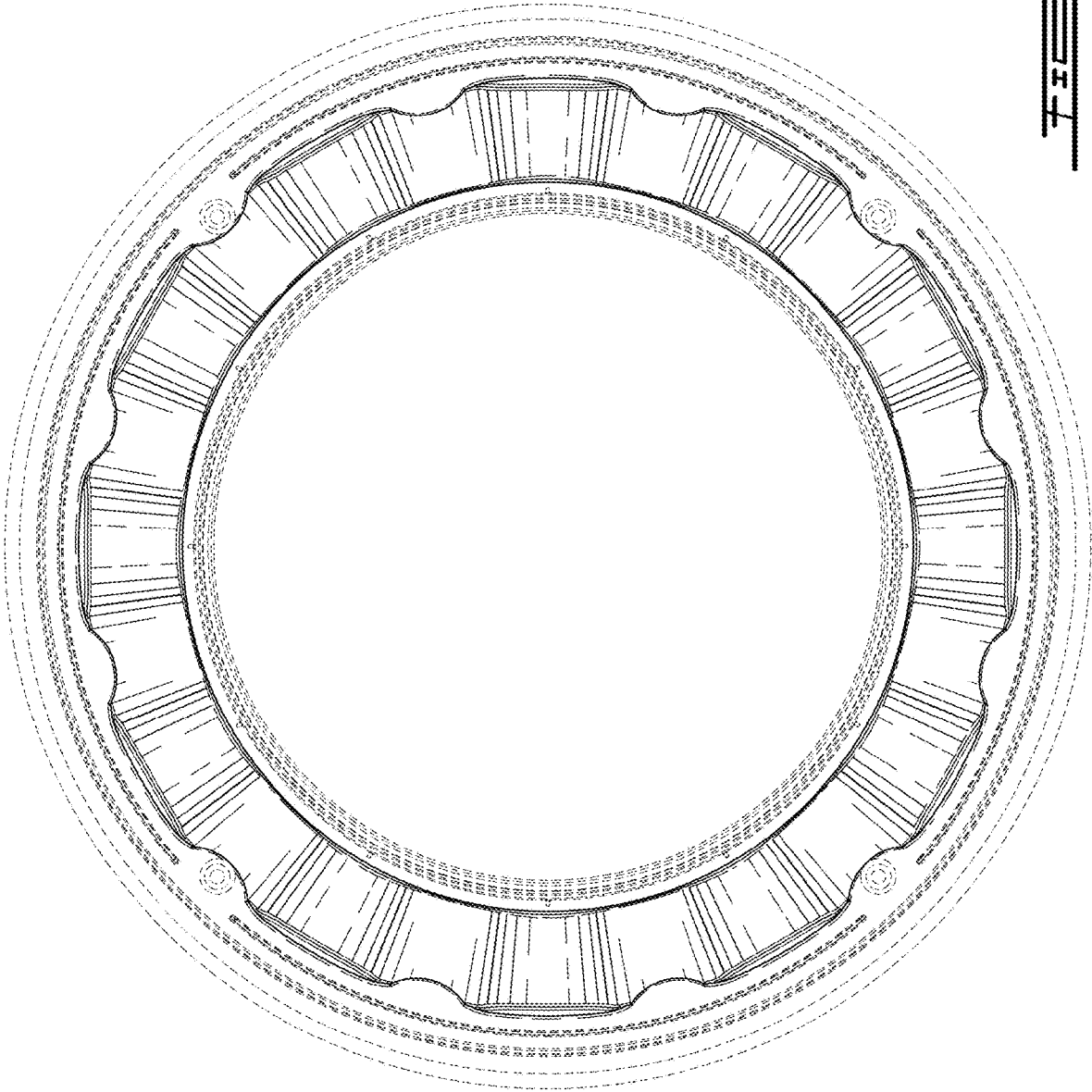


FIG. 18

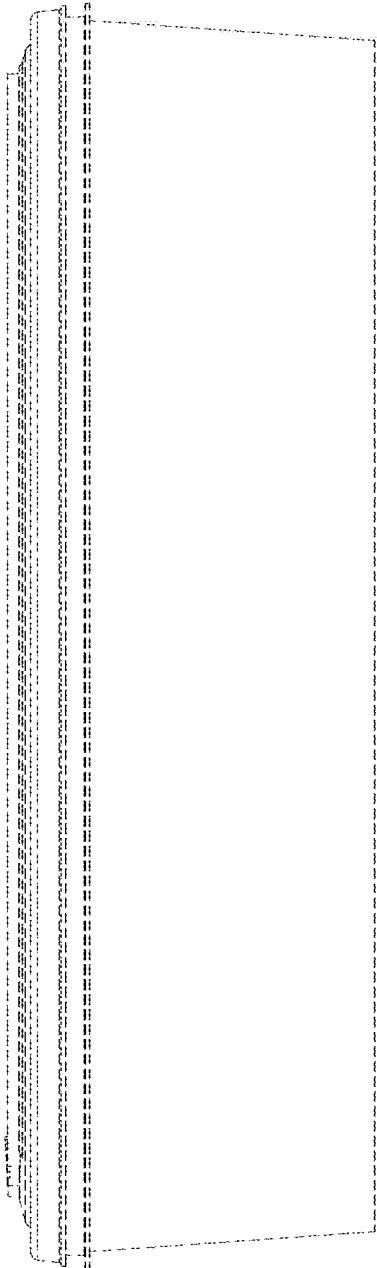


FIG. 19

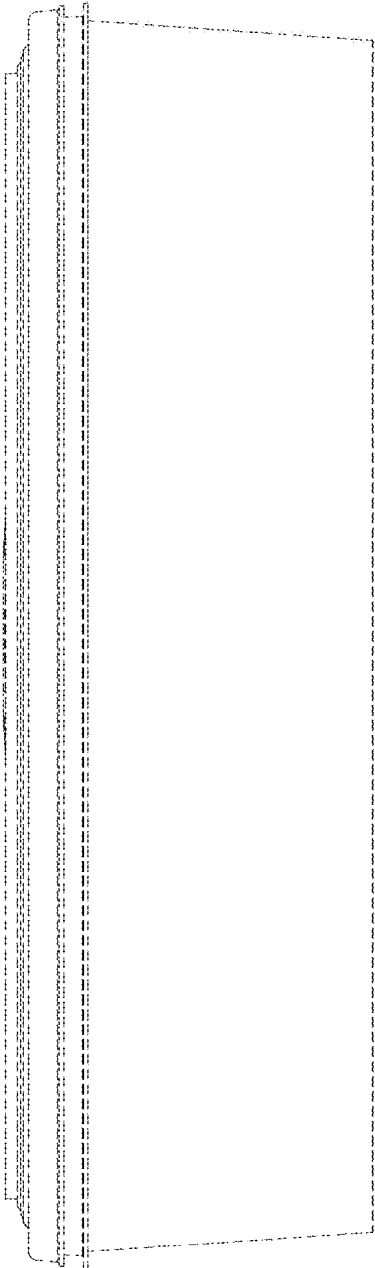


FIG. 20



FIG. 21