



US00D865497S

(12) **United States Design Patent** (10) **Patent No.:** **US D865,497 S**  
**Williamson** (45) **Date of Patent:** **\*\* Nov. 5, 2019**

(54) **BIKE MOUNTING HOOK**  
(71) Applicant: **Fattyhook, LLC**, St. Paul, MN (US)  
(72) Inventor: **David B. Williamson**, St. Paul, MN (US)  
(73) Assignee: **FATTYHOOK, LLC**, St. Paul, MN (US)  
(\*\*) Term: **15 Years**  
(21) Appl. No.: **29/663,682**  
(22) Filed: **Sep. 18, 2018**  
(51) **LOC (12) Cl.** ..... **08-05**  
(52) **U.S. Cl.**  
USPC ..... **D8/367**  
(58) **Field of Classification Search**  
USPC ..... D8/367, 354, 394, 18, 105, 356;  
D11/208, 218; 248/341; D6/323  
(Continued)

(56) **References Cited**  
U.S. PATENT DOCUMENTS  
327,939 A 10/1885 Garrison  
636,629 A 11/1899 Butcher  
(Continued)

*Primary Examiner* — Cynthia R Underwood  
(74) *Attorney, Agent, or Firm* — Fredrikson & Byron, P.A.

(57) **CLAIM**  
I claim the ornamental design for a bike mounting hook, as shown and described.

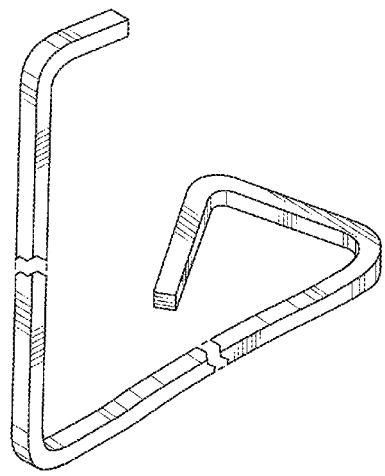
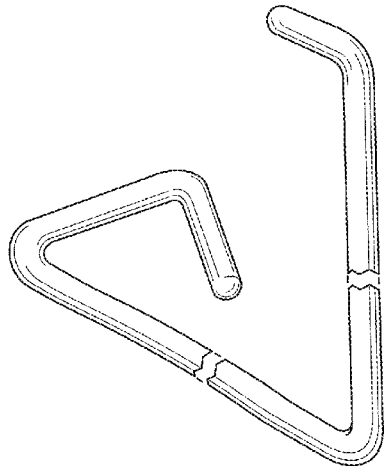
**DESCRIPTION**

FIG. 1 is a top perspective view of my new design for a bike mounting hook;  
FIG. 2 is a bottom view thereof;

FIG. 3 is a top view thereof;  
FIG. 4 is a front view thereof;  
FIG. 5 is a rear view thereof;  
FIG. 6 is a side view thereof;  
FIG. 7 is an opposite side view thereof;  
FIG. 8 is a cross-sectional view taken along line 8-8 of FIG. 2;  
FIG. 9 is a top perspective view of another embodiment of my new design for a bike mounting hook;  
FIG. 10 is a bottom view thereof;  
FIG. 11 is a top view thereof;  
FIG. 12 is a front view thereof;  
FIG. 13 is a rear view thereof;  
FIG. 14 is a side view thereof;  
FIG. 15 is an opposite side view thereof;  
FIG. 16 is a cross-sectional view taken along line 16-16 of FIG. 11;  
FIG. 17 is a top perspective view of another embodiment of my new design for a bike mounting hook;  
FIG. 18 is a bottom view thereof;  
FIG. 19 is a top view thereof;  
FIG. 20 is a front view thereof;  
FIG. 21 is a rear view thereof;  
FIG. 22 is a side view thereof;  
FIG. 23 is an opposite side view thereof; and  
FIG. 24 is a cross-sectional view taken along line 24-24 of FIG. 18;  
FIG. 25 is a top perspective view of another embodiment of my new design for a bike mounting hook;  
FIG. 26 is a bottom view thereof;  
FIG. 27 is a top view thereof;  
FIG. 28 is a front view thereof;  
FIG. 29 is a rear view thereof;  
FIG. 30 is a side view thereof;  
FIG. 31 is an opposite side view thereof; and,  
FIG. 32 is a cross-sectional view taken along line 32-32 of FIG. 27.

The broken lines in the drawings indicate that those portions of the article are of indeterminate length. The appearance of any portion of the article between the break lines forms no part of the claimed design.

**1 Claim, 8 Drawing Sheets**



(58) **Field of Classification Search**  
 CPC ..... F16M 13/02; A44B 13/0029; A45F 5/021;  
 A45F 5/02; F16B 45/00; A47G 25/00;  
 A47G 1/00  
 See application file for complete search history.

(56) **References Cited**  
 U.S. PATENT DOCUMENTS

706,718 A 8/1902 Bradbury  
 1,232,501 A 7/1917 Colen  
 1,333,692 A \* 3/1920 Wester ..... A47G 25/0607  
 24/598.7  
 1,388,799 A 8/1921 Christensen  
 2,461,071 A 2/1949 Mettenleiter  
 3,018,004 A 1/1962 Nesbitt  
 3,218,018 A 11/1965 Pusch et al.  
 3,260,489 A 7/1966 Hentzi  
 D212,740 S 11/1968 Serle  
 3,630,475 A 12/1971 Barry  
 3,854,689 A 12/1974 Engels  
 3,972,499 A 8/1976 Simmons  
 D244,910 S 7/1977 Chasen et al.  
 4,248,399 A 4/1981 Gipson  
 4,352,432 A 10/1982 Smith  
 4,880,192 A 11/1989 Vom Braucke et al.  
 4,979,712 A \* 12/1990 Rios ..... A47K 3/281  
 248/215  
 D326,998 S \* 6/1992 Gabriel ..... D8/356  
 D373,526 S 9/1996 Roethler  
 5,687,857 A 11/1997 Friedman  
 D409,326 S \* 5/1999 Cox ..... D26/138  
 5,984,111 A 11/1999 Pannella  
 6,116,760 A \* 9/2000 Cox ..... F21V 19/00  
 362/249.01  
 D456,694 S 5/2002 Allen et al.  
 D524,636 S 7/2006 Burnett  
 D554,980 S \* 11/2007 Mihelis ..... D8/356  
 7,493,873 B2 \* 2/2009 Petersen ..... A01K 1/04  
 119/789

D612,710 S 3/2010 Kelleghan  
 D631,332 S 1/2011 Bauer et al.  
 D631,333 S 1/2011 Bauer et al.  
 D648,208 S \* 11/2011 Platt ..... D8/367  
 D661,574 S \* 6/2012 Platt ..... D8/367  
 D668,938 S \* 10/2012 Morales ..... D8/367  
 8,387,292 B1 \* 3/2013 Rasmus ..... G09F 21/02  
 116/173  
 D687,291 S \* 8/2013 Hendricks ..... D8/394  
 D697,785 S 1/2014 Davis  
 D702,540 S \* 4/2014 Kacines ..... D8/367  
 D706,617 S \* 6/2014 Hendricks ..... D8/354  
 D708,446 S 7/2014 Goodman et al.  
 D734,134 S \* 7/2015 Bauerle ..... D8/372  
 D746,127 S 12/2015 Cohen  
 D752,958 S \* 4/2016 Giordano ..... D8/367  
 9,340,245 B2 5/2016 Kerman  
 D762,107 S \* 7/2016 French ..... D8/367  
 D779,928 S 2/2017 Popov  
 D782,599 S \* 3/2017 Brooks ..... D22/113  
 D782,600 S \* 3/2017 Brooks ..... D22/113  
 D784,119 S \* 4/2017 Brooks ..... D8/367  
 D787,303 S \* 5/2017 Garvin ..... D8/367  
 D795,678 S 8/2017 Early  
 9,739,025 B2 \* 8/2017 Brooks ..... E02D 5/801  
 D801,157 S \* 10/2017 Turbenson ..... D8/367  
 D801,158 S \* 10/2017 Turbenson ..... D8/367  
 D804,294 S \* 12/2017 Bian ..... D8/367  
 D804,938 S \* 12/2017 Wesley ..... D8/367  
 D812,455 S \* 3/2018 Samuelson ..... D8/367  
 D814,909 S \* 4/2018 Lawson ..... D8/367  
 9,945,144 B2 \* 4/2018 Brooks ..... A01M 31/06  
 D837,637 S \* 1/2019 Hack ..... D8/367  
 2006/0016943 A1 \* 1/2006 Thompson ..... A47J 33/00  
 248/175  
 2008/0272269 A1 \* 11/2008 Moraysky ..... A45F 5/02  
 248/692  
 2012/0199714 A1 8/2012 Rinaldo  
 2015/0151802 A1 1/2015 Lang

\* cited by examiner

FIG. 1

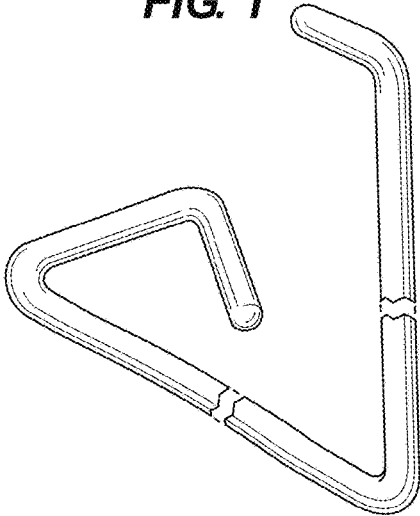


FIG. 2

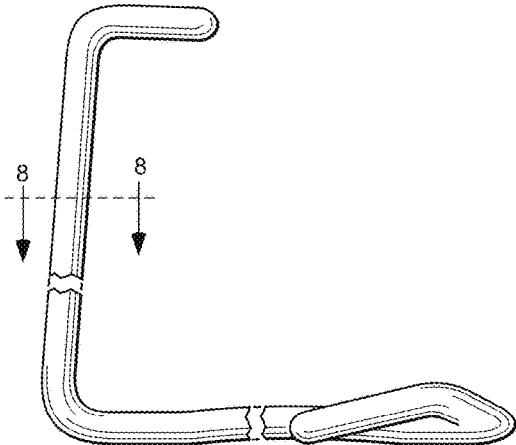
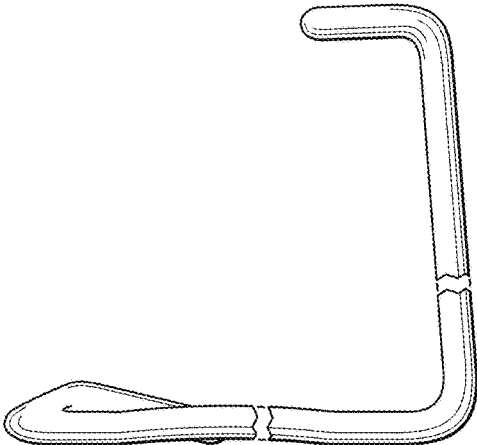
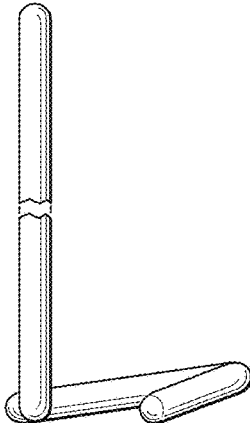


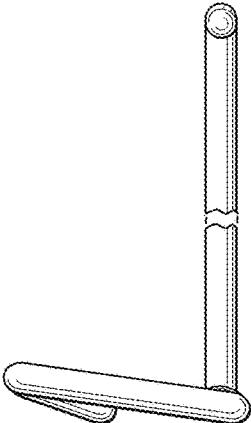
FIG. 3



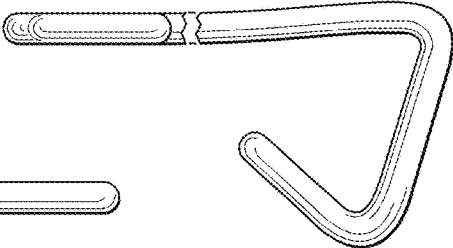
**FIG. 4**



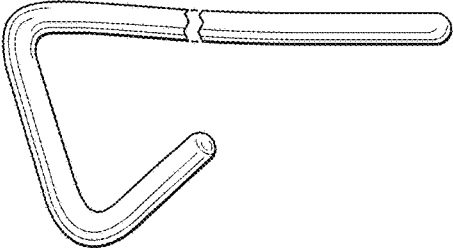
**FIG. 5**



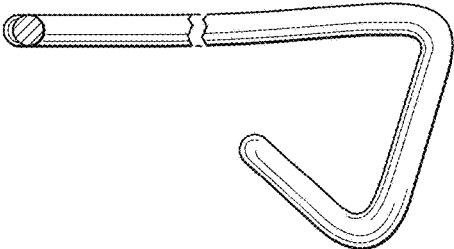
**FIG. 6**



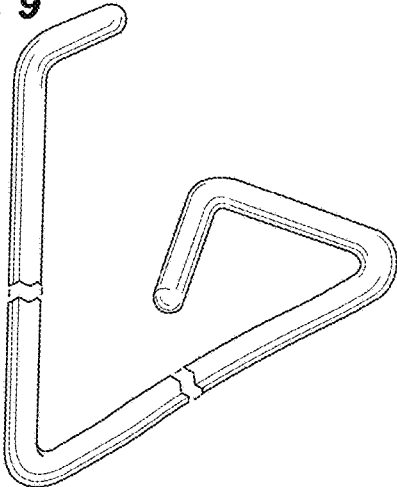
**FIG. 7**



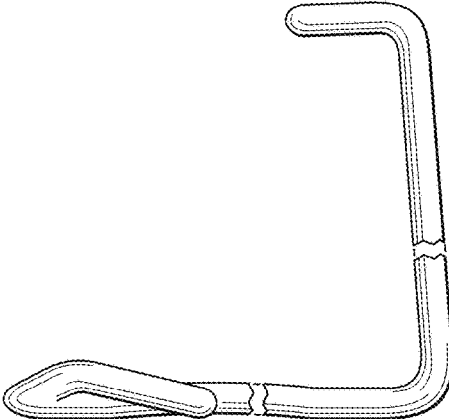
**FIG. 8**



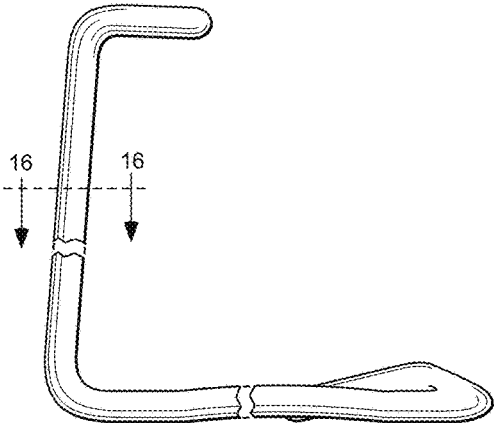
**FIG. 9**



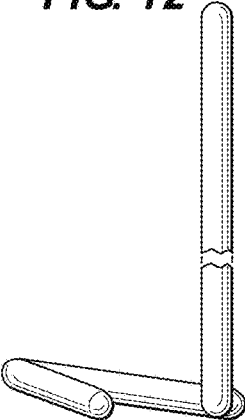
**FIG. 10**



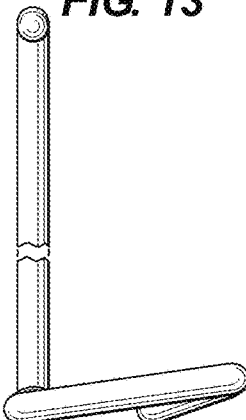
**FIG. 11**



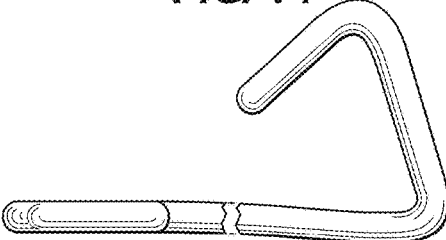
**FIG. 12**



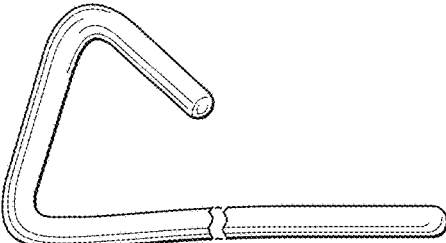
**FIG. 13**



**FIG. 14**



**FIG. 15**



**FIG. 16**

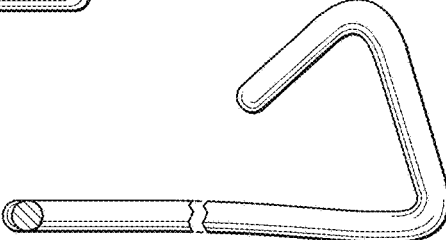


FIG. 17

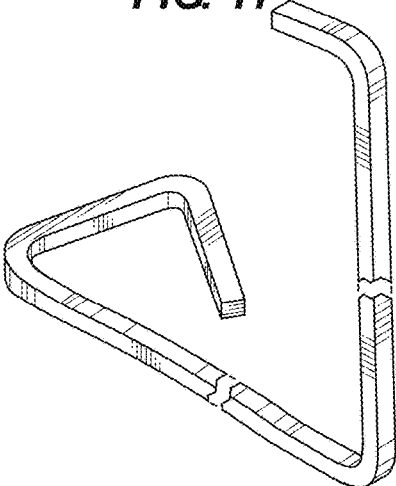


FIG. 18

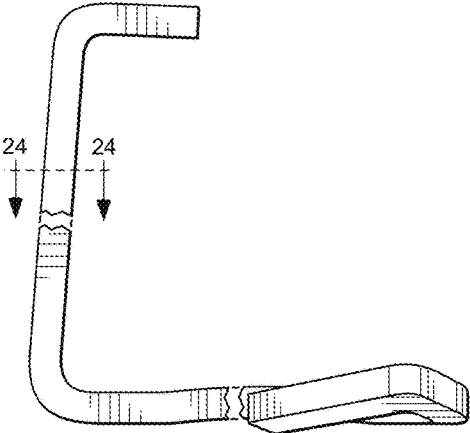
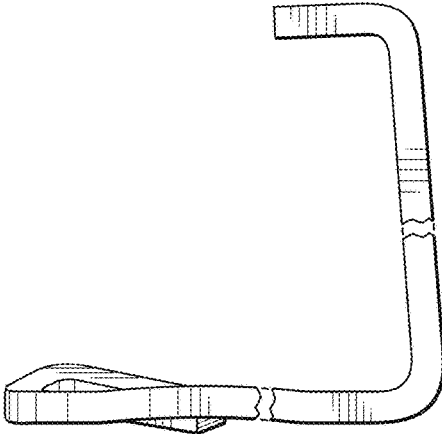
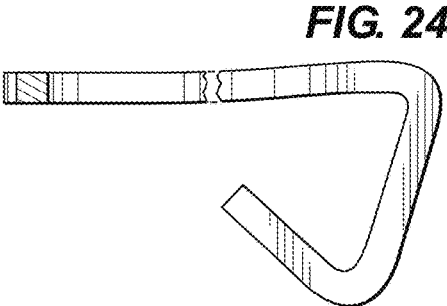
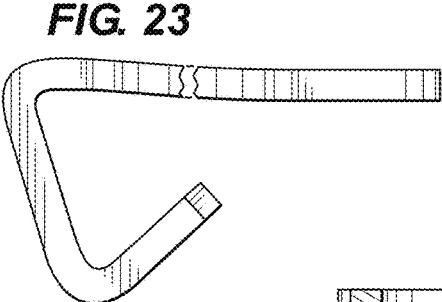
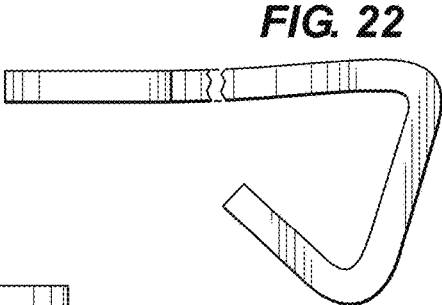
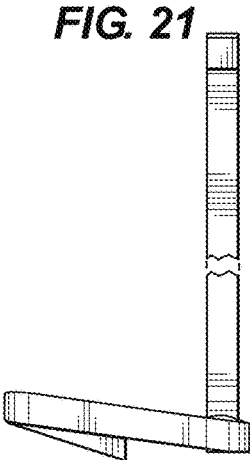
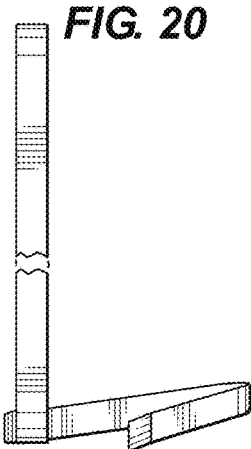


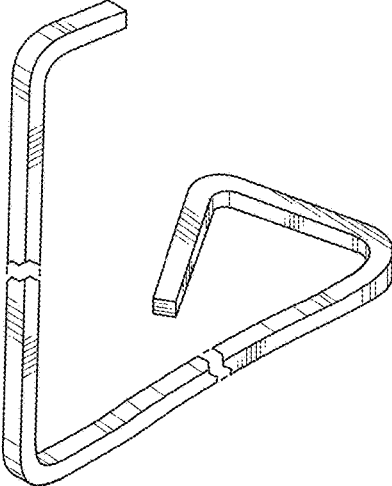
FIG. 19



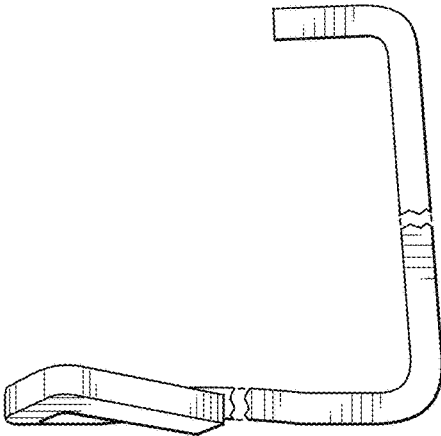




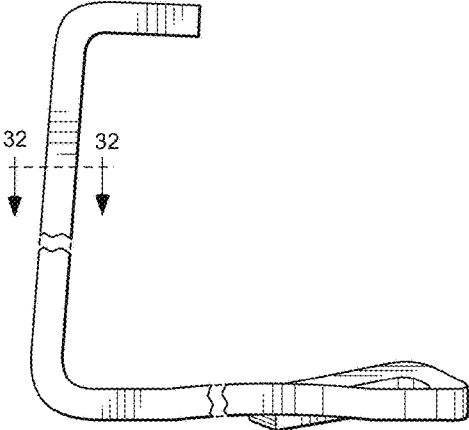
**FIG. 25**



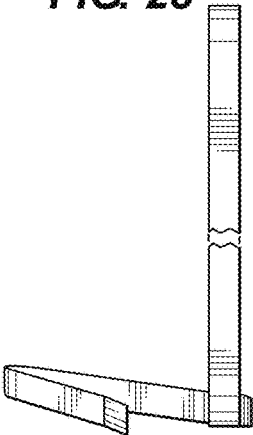
**FIG. 26**



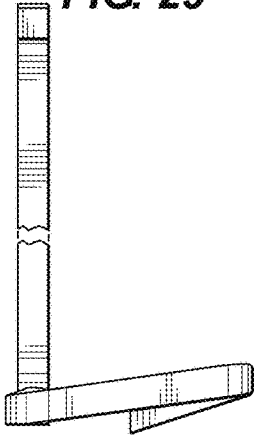
**FIG. 27**



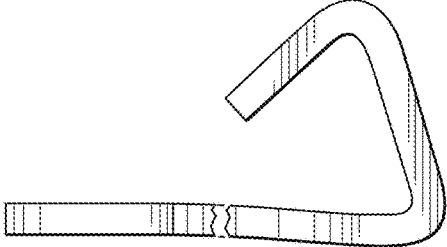
**FIG. 28**



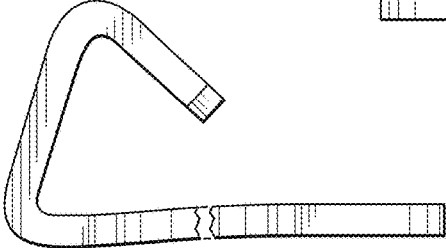
**FIG. 29**



**FIG. 30**



**FIG. 31**



**FIG. 32**

