

(19)
(12)

(KR)
(B1)

(51) 。 Int. Cl.⁷
C09D 11/02

(45)
(11)
(24)

2004 08 21
10-0445106
2004 08 10

(21) 10-2001-0061949
(22) 2001 10 08

(65)
(43)

10-2003-0030151
2003 04 18

(73)

282

101-104

(72)

282

101-104

(74)

:

(54)

100
GLITTER POWDER) 5-15

(HOLOGRAPHIC GLITTER POWDER) 5-15

(MEARL

1

1
2
3

*

*

10:
11:

12:
13:

174100 ()

OPP

0.002mm 2000-21290
0.002 * 0.002mm ~ 0.002 * 0.004mm
(HOLOGRAPHIC GLITTER POWDER) 15~30 %

가 가

5-15 (HOLOGRAPHIC GLITTER POWDER) 5-15 100 (MEARL GLITTER POWDER)

5 가 (HOLOGRAPHIC GLITTER POWDER) 100 가 5-1 가
(HOLOGRAPHIC GLITTER POWDER)

(HOLOGRAPHIC GLITTER POWDER) 1995-5947

97 % 3 % (HOLOGRAPHIC GLITTER POWDER)
 50 (MEARL GLITTER POWDER) (HOLOGRAPHIC GLITTER POWDER)
 (MEARL GLITTER POWDER) 100 가 5-15 가 (HOLOGRAPHIC GLITTE
 R POWDER) 가 (MEARL GLITTER POWDER) 가 (MEARL GLITTER P
 OWDER) 1:0.5-2.0 (HOLOGRAPHIC GLITTER POWDER) (MEARL GLITTER POWDER)
 100 % 18 가 100 ,가
 60 가 0.05-0.15mm, 0.2-0.4mm
 2 3 (10) (11)
 가 (12) (13) 가 2 (11)
 (12) (11) (12) 3.9cm 3 (11)
 5.0-5.5cm 100% 가 20-3
 0% 80-88 ° 45 ° 3
 1 (UIANO QFX)
 100cmx114cm 60 10-20 4-5
 2-3 10-20 0.1mm, 0.3mm 15
 UV (157HA) 3349g (HOLO FLAKE HEX CUT, 97 %, 3 %, 100
 50) 296g (MEARL GLITTER POWDER HEX CUT,
 %, 18) 368g 5.2cm 85 °
 25%
 1 가 가

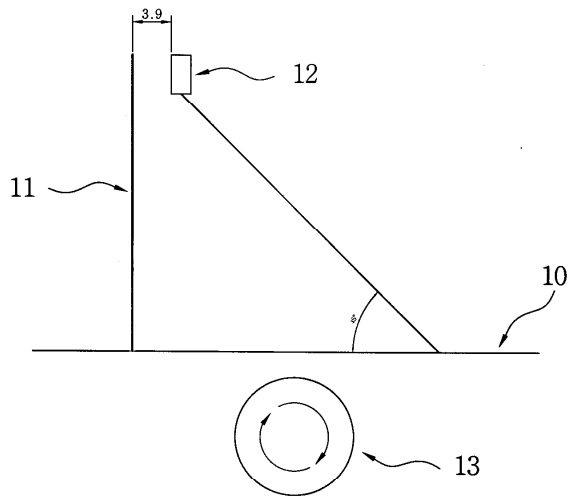
(57)

1. 100 (HOLOGRAPHIC GLITTER POWDER) 5-15
 (MEARL GLITTER POWDER) 5-15
- 2.
3. (HOLOGRAPHIC GLITTER POWDER) (MEARL GLITTER POW
 DER) 1: 0.5-2.0

1



2



3

