



(12) **United States Design Patent**  
**Yang**

(10) **Patent No.:** **US D862,086 S**  
(45) **Date of Patent:** **\*\* Oct. 8, 2019**

- (54) **FACIAL BRUSH**
- (71) Applicant: **Xiaochuan Yang**, Dongguan (CN)
- (72) Inventor: **Xiaochuan Yang**, Dongguan (CN)
- (\*\*) Term: **15 Years**
- (21) Appl. No.: **29/625,211**
- (22) Filed: **Nov. 8, 2017**
- (51) **LOC (12) Cl.** ..... **04-02**
- (52) **U.S. Cl.**  
USPC ..... **D4/100**
- (58) **Field of Classification Search**  
USPC ..... D4/100, 102, 109, 111, 116, 119, 127,  
D4/133, 137, 136, 138; D28/4, 7, 24,  
(Continued)
- (56) **References Cited**  
  
U.S. PATENT DOCUMENTS  
  
D307,216 S \* 4/1990 Yuen ..... D32/14.1  
D456,607 S \* 5/2002 Carlucci ..... D4/101  
(Continued)

*Primary Examiner* — Wan Laymon  
*Assistant Examiner* — Clint A Samuel  
 (74) *Attorney, Agent, or Firm* — Wayne & Ken, LLC;  
 Tony Hom

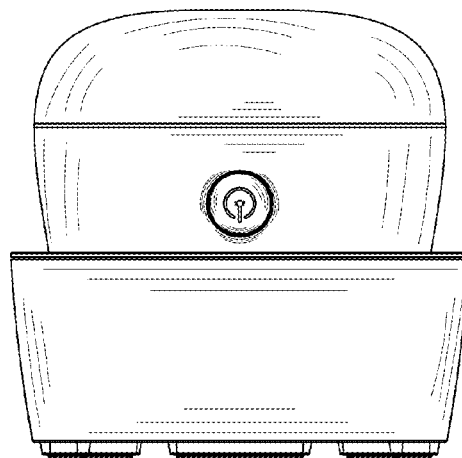
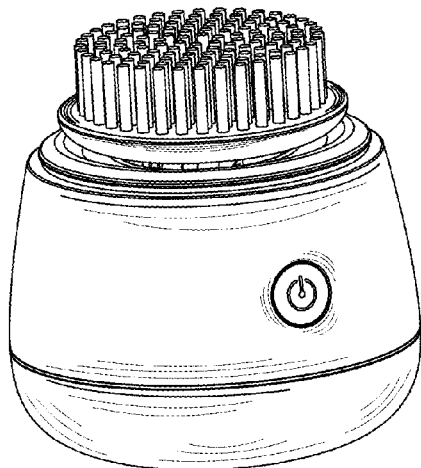
(57) **CLAIM**  
 The ornamental design for a facial brush, as shown and described.

**DESCRIPTION**

FIG. 1 is a front elevational view of a lid of a facial brush showing my new design;  
 FIG. 2 is a rear elevational view of FIG. 1;  
 FIG. 3 is a left side elevational view of FIG. 1;  
 FIG. 4 is a right side elevational view of FIG. 1;  
 FIG. 5 is a top plan view of FIG. 1;  
 FIG. 6 is a bottom plan view of FIG. 1;  
 FIG. 7 is a front elevational view of a brush of the facial brush showing my new design;  
 FIG. 8 is a rear elevational view of FIG. 7;  
 FIG. 9 is a left side elevational view of FIG. 7;

FIG. 10 is a right side elevational view of FIG. 7;  
 FIG. 11 is a top plan view of FIG. 7;  
 FIG. 12 is a bottom plan view of FIG. 7;  
 FIG. 13 is a front elevational view of a charger of the facial brush showing my new design;  
 FIG. 14 is a rear elevational view of FIG. 13;  
 FIG. 15 is a left side elevational view of FIG. 13;  
 FIG. 16 is a right side elevational view of FIG. 13;  
 FIG. 17 is a top plan view of FIG. 13;  
 FIG. 18 is a bottom plan view of FIG. 13;  
 FIG. 19 is a front elevational view of a body of the facial brush showing my new design;  
 FIG. 20 is a rear elevational view of FIG. 19;  
 FIG. 21 is a left side elevational view of FIG. 19;  
 FIG. 22 is a right side elevational view of FIG. 19;  
 FIG. 23 is a top plan view of FIG. 19;  
 FIG. 24 is a bottom plan view of FIG. 19;  
 FIG. 25 is a front elevational view of a combination of the lid showing in FIG. 1 and the body showing in FIG. 19;  
 FIG. 26 is a rear elevational view of FIG. 25;  
 FIG. 27 is a left side elevational view of FIG. 25;  
 FIG. 28 is a right side elevational view of FIG. 25;  
 FIG. 29 is a top plan view of FIG. 25;  
 FIG. 30 is a bottom plan view of FIG. 25;  
 FIG. 31 is a front elevational view of a combination of the brush showing in FIG. 7 and the body showing in FIG. 19;  
 FIG. 32 is a rear elevational view of FIG. 31;  
 FIG. 33 is a left side elevational view of FIG. 31;  
 FIG. 34 is a right side elevational view of FIG. 31;  
 FIG. 35 is a top plan view of FIG. 31;  
 FIG. 36 is a bottom plan view of FIG. 31;  
 FIG. 37 is a perspective view of FIG. 31;  
 FIG. 38 is a front elevational view of a combination of the charger showing in FIG. 13 and the body showing in FIG. 19;  
 FIG. 39 is a rear elevational view of FIG. 38;  
 FIG. 40 is a left side elevational view of FIG. 38;  
 FIG. 41 is a right side elevational view of FIG. 38;  
 FIG. 42 is a top plan view of FIG. 38;  
 FIG. 43 is a bottom plan view of FIG. 38; and,  
 FIG. 44 is a perspective view of FIG. 38.  
 The portion of the facial brush shown in broken lines depicts environment and/or components of the device that form no part of the claimed design.

**1 Claim, 23 Drawing Sheets**



(58) **Field of Classification Search**

USPC .. D28/44.1, 58, 64.1, 64.3, 64.6, 73, 74, 76,  
 D28/82; D24/152, 176, 214, 215;  
 D13/107, 108; 15/167.1-167.2  
 CPC ..... A46B 5/00; A46B 5/0095; A46B 5/0004;  
 A46B 2200/00; A46B 2200/10; A46B  
 2200/102; A46B 2200/1026; A46B  
 2200/1046; A46B 13/00; A46B 13/001;  
 A46B 13/02; A46B 13/008; A46B 17/00;  
 A46B 17/04; A46D 1/00; A45D 27/00;  
 A45D 27/02; A45D 24/00; A45D 24/04;  
 A45D 44/18

See application file for complete search history.

(56) **References Cited**

U.S. PATENT DOCUMENTS

8,177,450 B2\* 5/2012 Zhang ..... A45D 34/04  
 401/216  
 D711,656 S \* 8/2014 Brewer ..... D4/102

D715,556 S \* 10/2014 Brewer ..... D4/102  
 D717,244 S \* 11/2014 Reishus ..... D13/108  
 D743,174 S \* 11/2015 von Berg ..... D4/102  
 D744,753 S \* 12/2015 Reishus ..... D4/100  
 D744,754 S \* 12/2015 Reishus ..... D4/102  
 D744,755 S \* 12/2015 Reishus ..... D4/102  
 D752,348 S \* 3/2016 Donald ..... D4/116  
 D768,387 S \* 10/2016 Reishus ..... D4/100  
 D770,181 S \* 11/2016 Reishus ..... D4/100  
 D771,951 S \* 11/2016 Reishus ..... D4/100  
 D800,060 S \* 10/2017 Solland ..... D13/108  
 D811,747 S \* 3/2018 Powell ..... D4/102  
 D819,976 S \* 6/2018 Albers ..... D4/120  
 D824,529 S \* 7/2018 Tenenbaum ..... D24/214  
 D828,034 S \* 9/2018 Rybacek ..... D4/102  
 D835,996 S \* 12/2018 Otani ..... D9/560  
 2015/0173842 A1\* 6/2015 Carlucci ..... A46B 13/008  
 606/131  
 2016/0206087 A1\* 7/2016 Skidmore ..... A46B 13/008  
 2017/0150851 A1\* 6/2017 Sueyoshi ..... A46B 9/02  
 2018/0271337 A1\* 9/2018 Powell ..... A46B 5/0095

\* cited by examiner

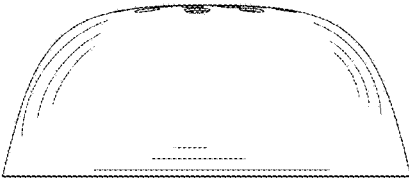


Fig.1

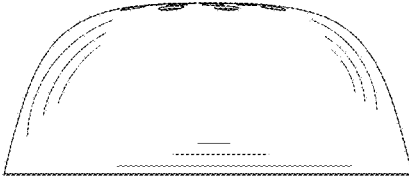


Fig.2

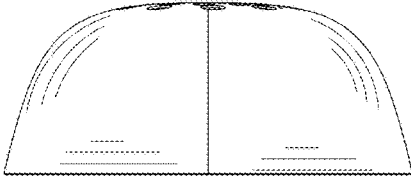


Fig.3

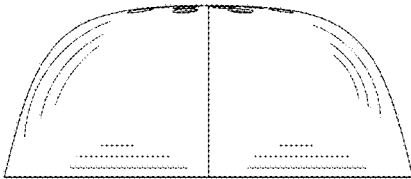


Fig.4

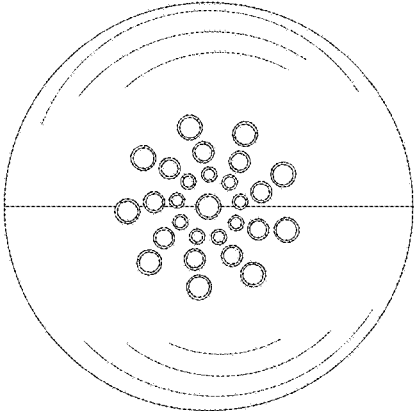


Fig.5

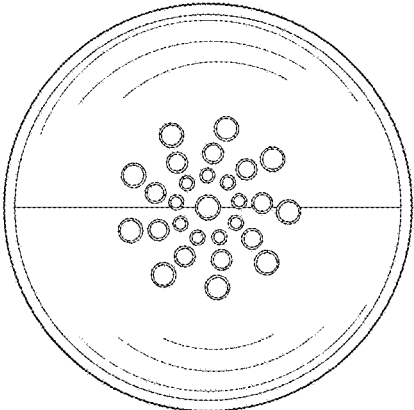


Fig.6

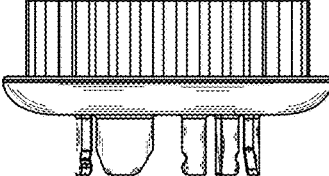


Fig.7

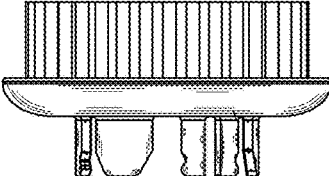


Fig.8

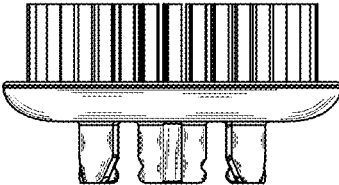


Fig.9

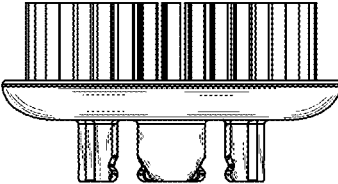


Fig.10

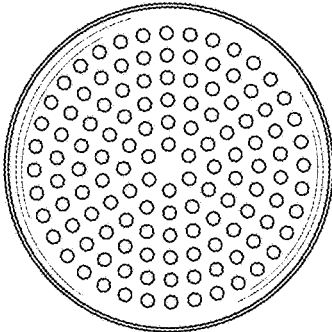


Fig.11

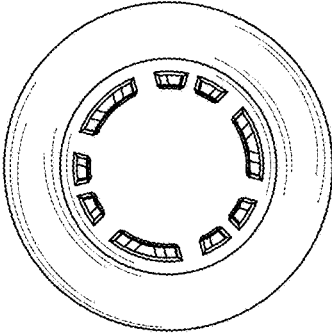


Fig.12



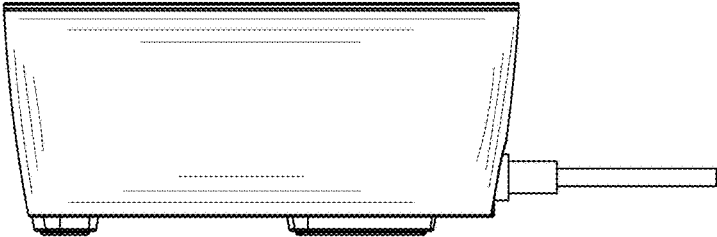


Fig.13

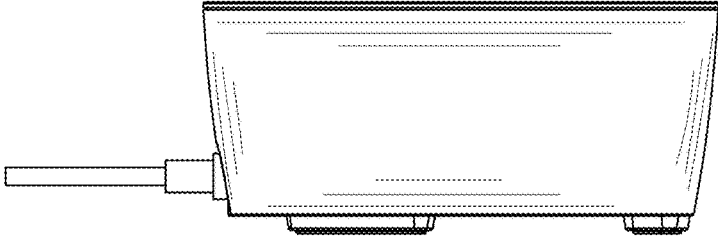


Fig.14

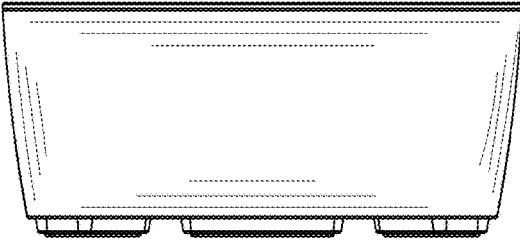


Fig.15

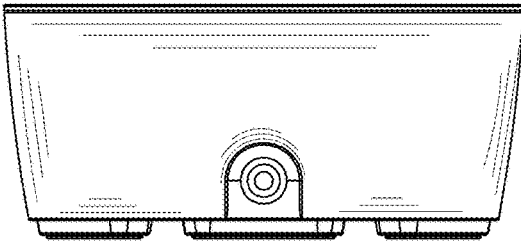


Fig.16

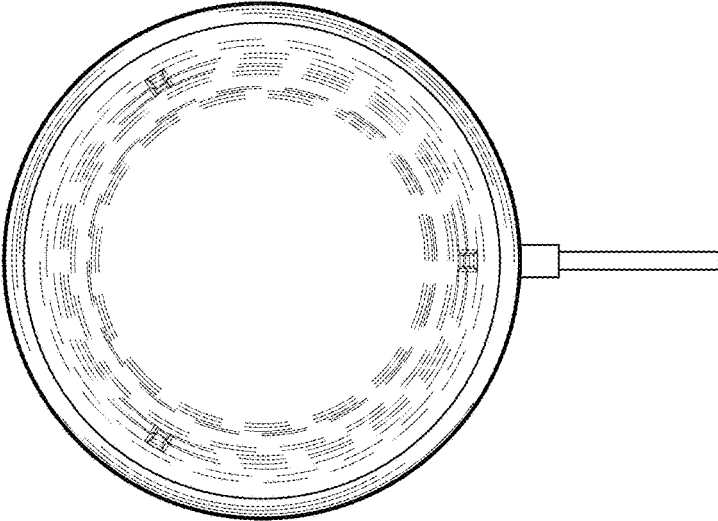


Fig.17

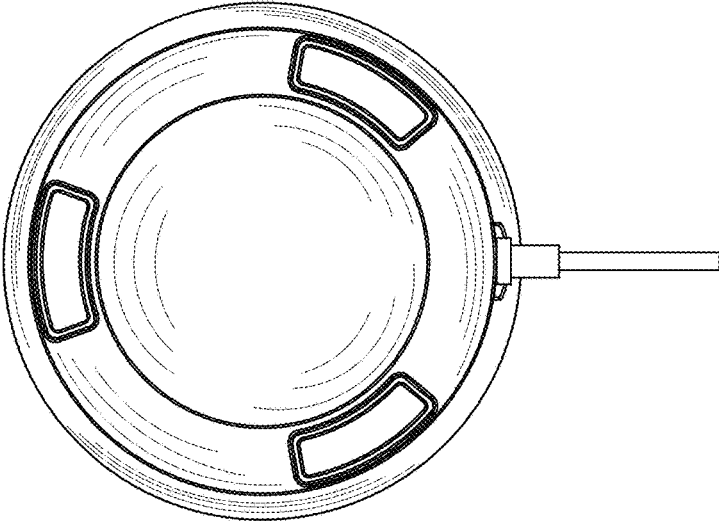


Fig.18

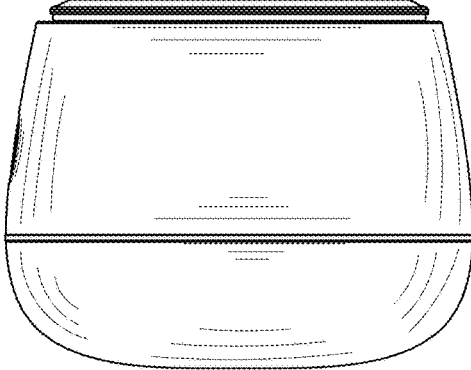


Fig.19

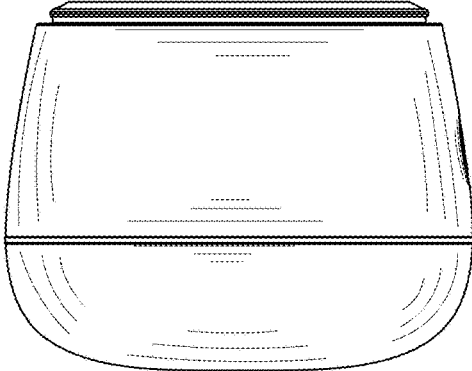


Fig.20

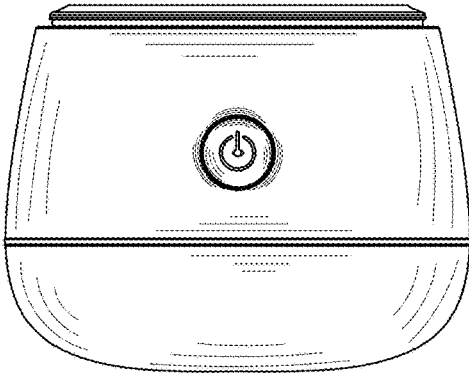


Fig.21

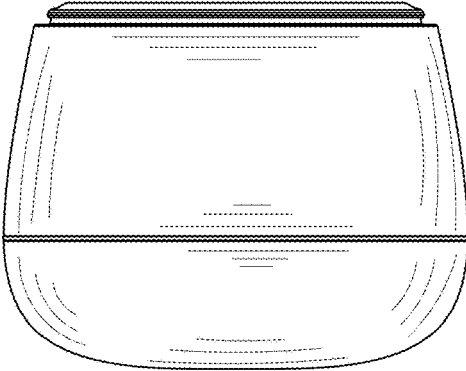


Fig.22

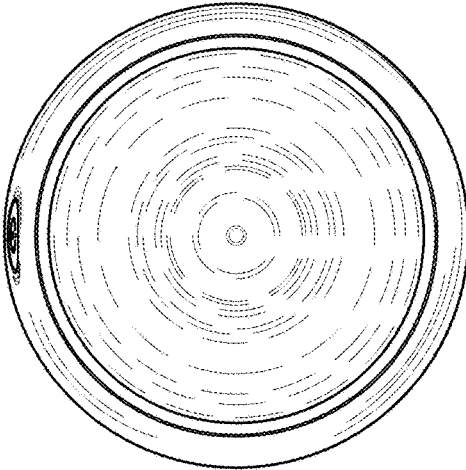


Fig.23

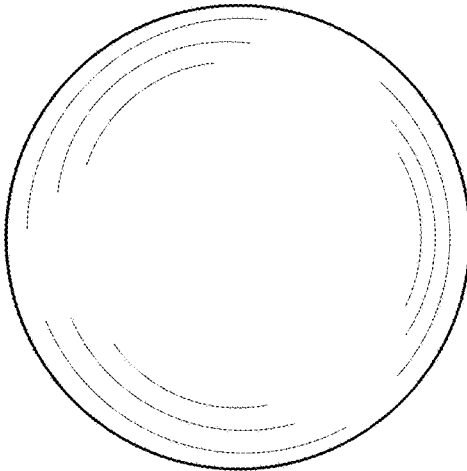


Fig.24

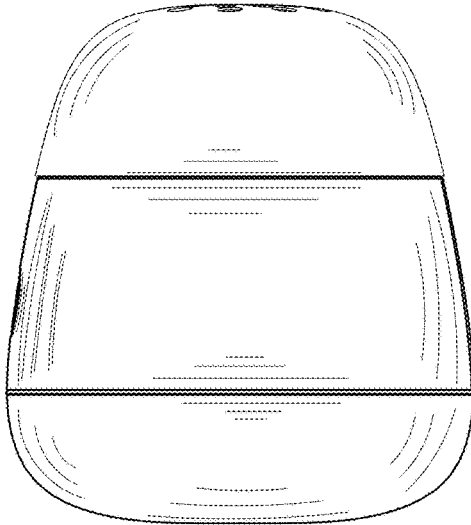


Fig.25

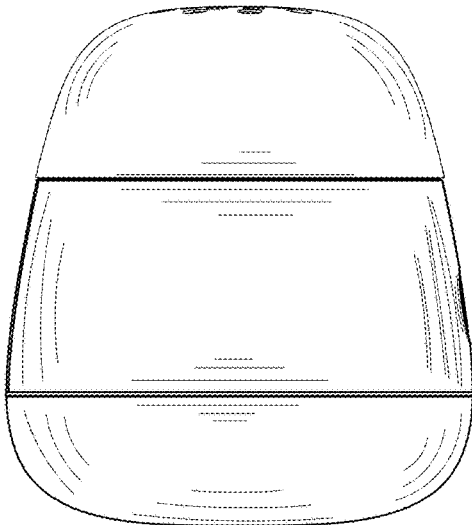


Fig.26

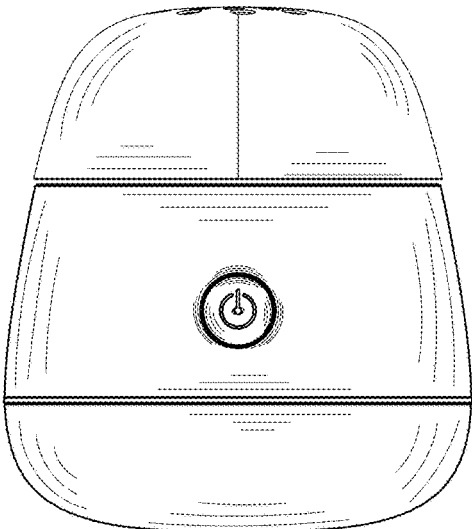


Fig.27

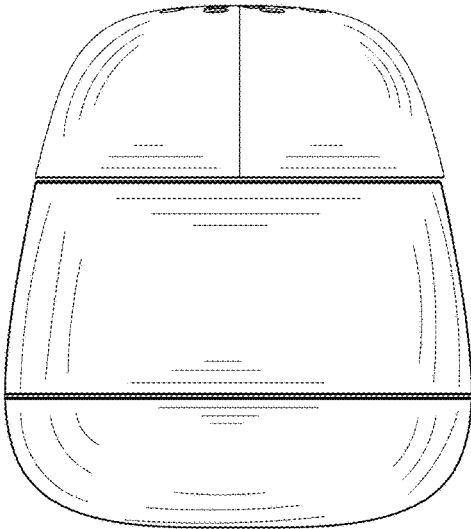


Fig.28



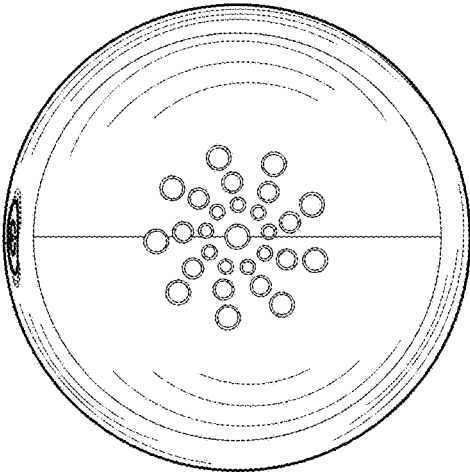


Fig.29

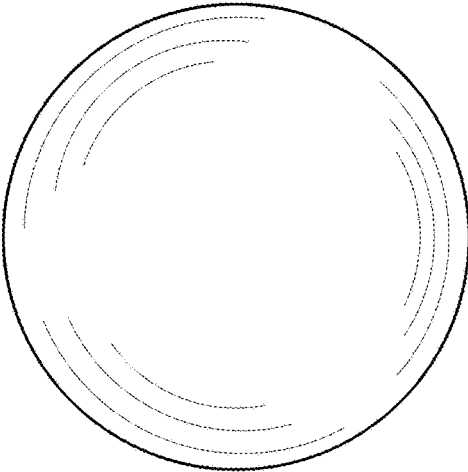


Fig.30

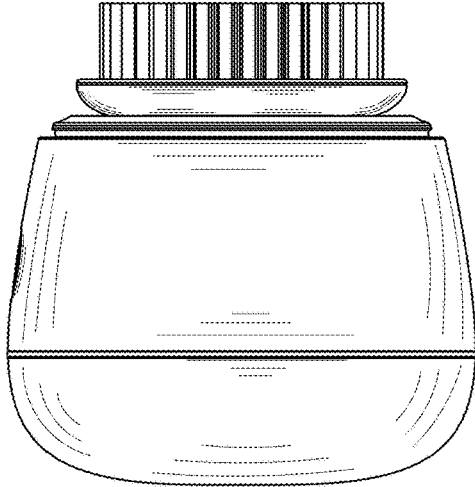


Fig.31

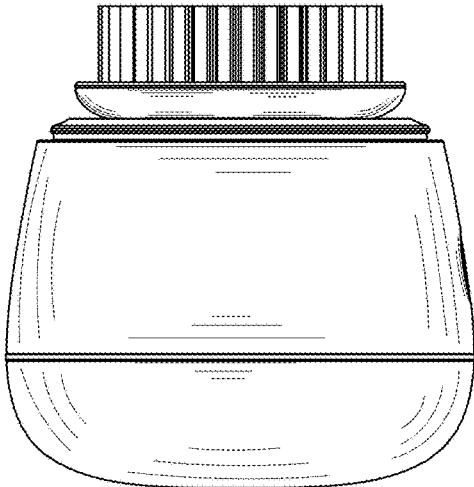


Fig.32

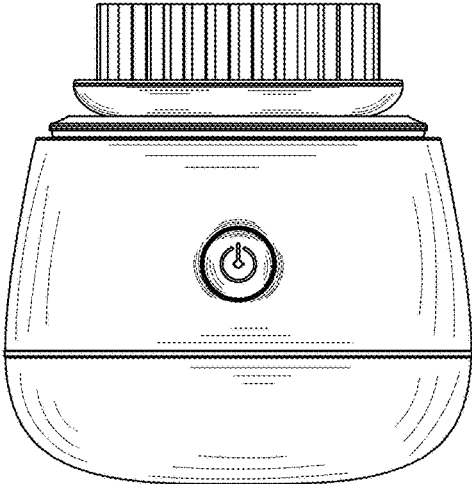


Fig.33

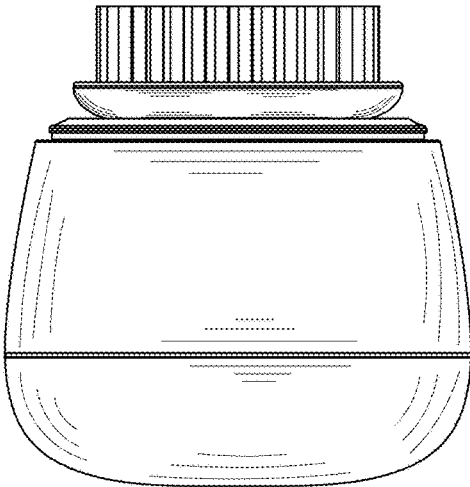


Fig.34

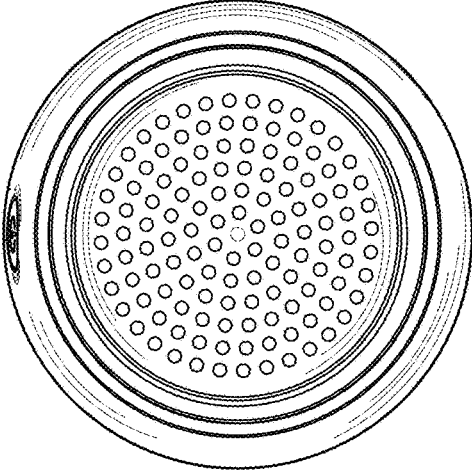


Fig.35

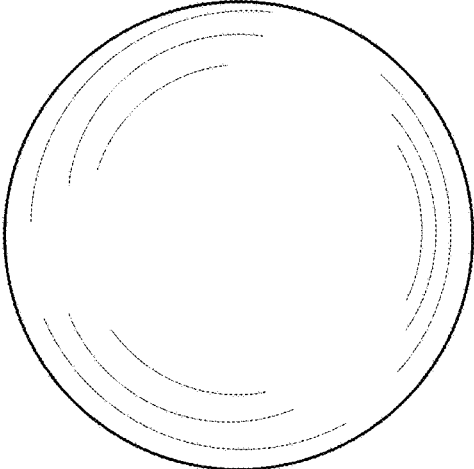


Fig.36

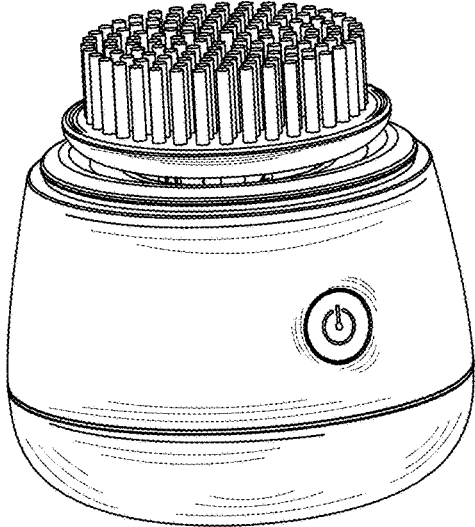


Fig.37

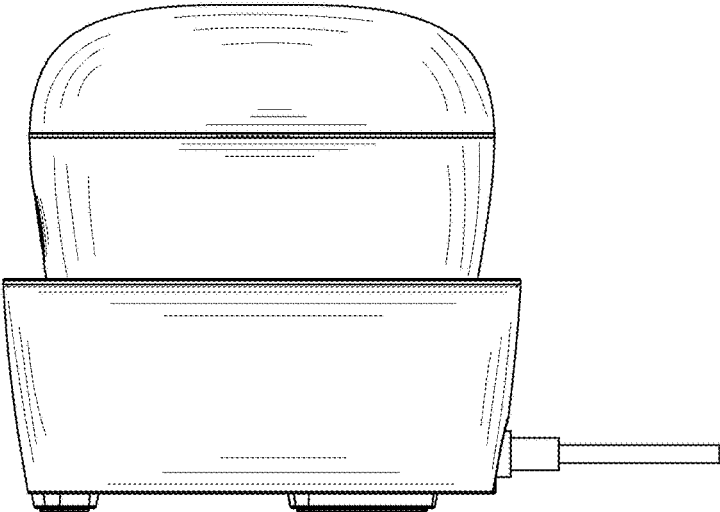


Fig.38

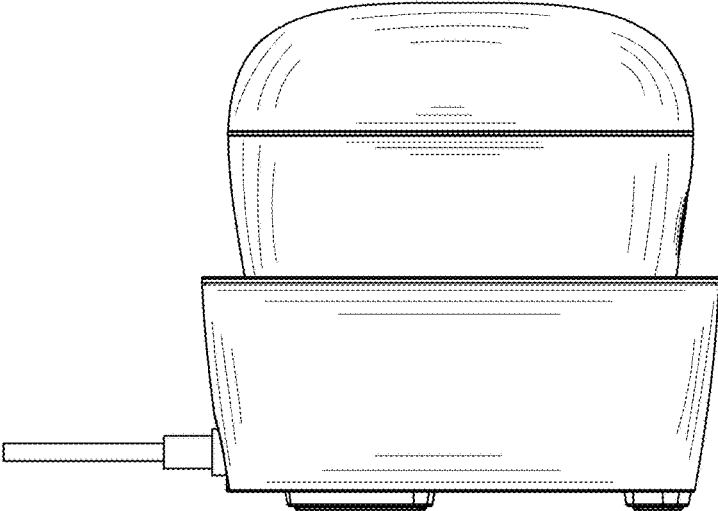


Fig.39

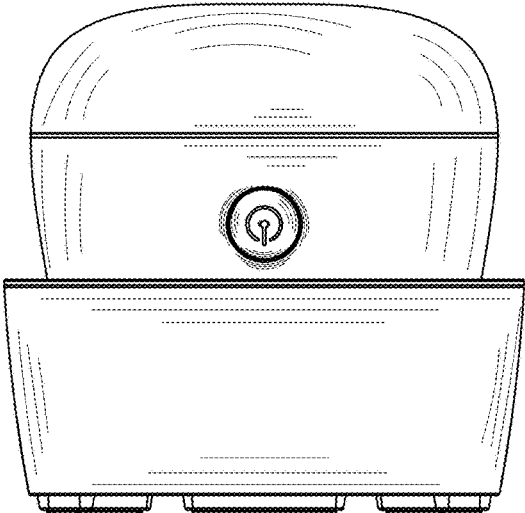


Fig.40

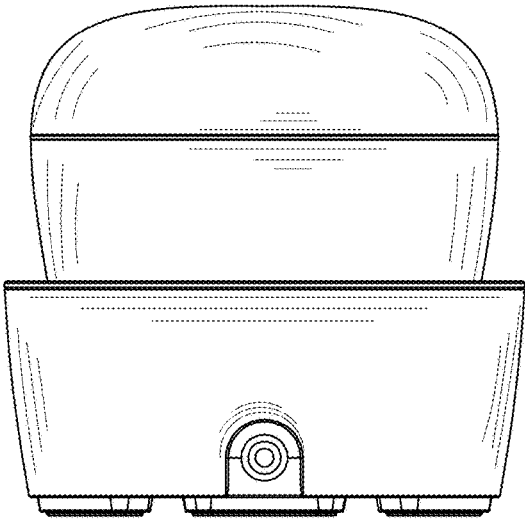


Fig.41

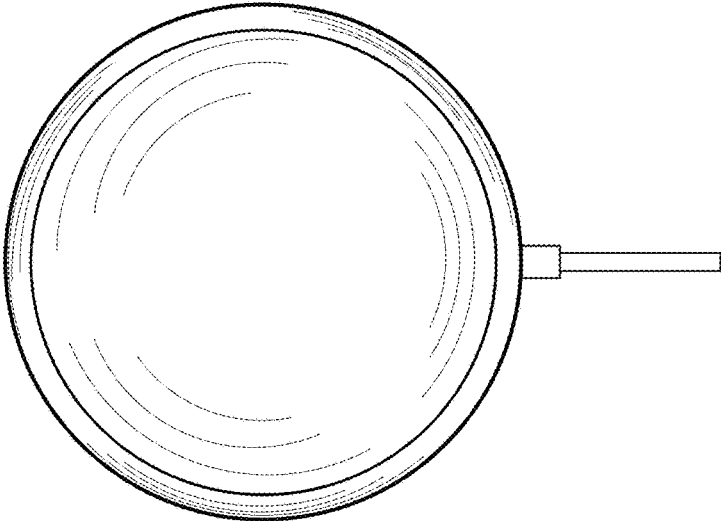


Fig.42

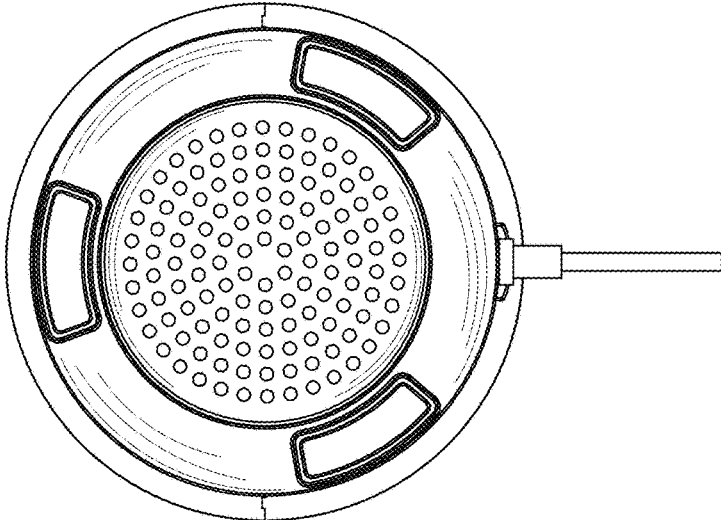


Fig.43



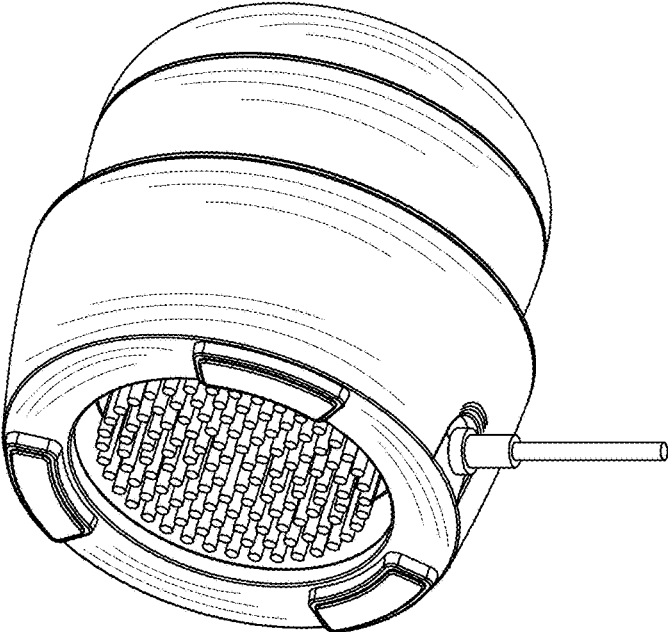


Fig.44