



US00D556297S

(12) **United States Design Patent** (10) **Patent No.:** **US D556,297 S**
Baade et al. (45) **Date of Patent:** **** Nov. 27, 2007**

(54) **VANITY**

(75) Inventors: **Jonell J. Baade**, Milwaukee, WI (US);
Alex LeTourneau, Sheboygan, WI (US)

(73) Assignee: **Kohler Co.**, Kohler, WI (US)

(**) Term: **14 Years**

(21) Appl. No.: **29/258,203**

(22) Filed: **Apr. 18, 2006**

(51) **LOC (8) Cl.** **23-02**

(52) **U.S. Cl.** **D23/286; D23/303**

(58) **Field of Classification Search** D6/398,
D6/342-434, 441, 445-449, 491, 492, 509-511;
D23/273; 297/284-285, 286-290, 293.1,
297/303, 308; D25/123, 125; 312/140.1,
312/140.3, 228; 4/619, 620, 624, 625, 630,
4/631

See application file for complete search history.

(56) **References Cited**

U.S. PATENT DOCUMENTS

| | | | | | | |
|-----------|---|---|---------|-----------|-------|---------|
| 112,083 | A | * | 2/1871 | Shaw | | 312/228 |
| 200,480 | A | * | 2/1878 | Rivera | | 312/228 |
| D22,466 | S | * | 5/1893 | Malloy | | D23/308 |
| 2,635,308 | A | * | 4/1953 | Crook | | 312/228 |
| D184,799 | S | * | 4/1959 | Clemens | | D6/509 |
| D201,345 | S | * | 6/1965 | Falcan | | D23/286 |
| D324,145 | S | * | 2/1992 | Diffrient | | D6/491 |
| D340,602 | S | * | 10/1993 | Wood, Jr. | | D23/308 |
| D353,295 | S | * | 12/1994 | Bodine | | D25/123 |
| D536,770 | S | * | 2/2007 | Mayer | | D23/286 |

D538,063 S * 3/2007 Baade D6/448
2007/0114893 A1* 5/2007 Styka et al. 312/228

OTHER PUBLICATIONS

Suneli. Vanity. Model No. 8032.
Jacob Delafon. "Escale Collection". Model EB950. Jacob Delafon
online catalog.

* cited by examiner

Primary Examiner—Mimosa De
(74) *Attorney, Agent, or Firm*—Quarles & Brady LLP

(57) **CLAIM**

The ornamental design for a vanity, as shown and described.

DESCRIPTION

In a preferred embodiment, the nature of this product is a vanity such as can be used to support a lavatory.

FIG. 1 is a right, top, front perspective view of a vanity embodying our new design;

FIG. 2 is a front elevational view thereof;

FIG. 3 is a right side elevational view thereof, the left side elevational view thereof being a mirror image of the right side shown;

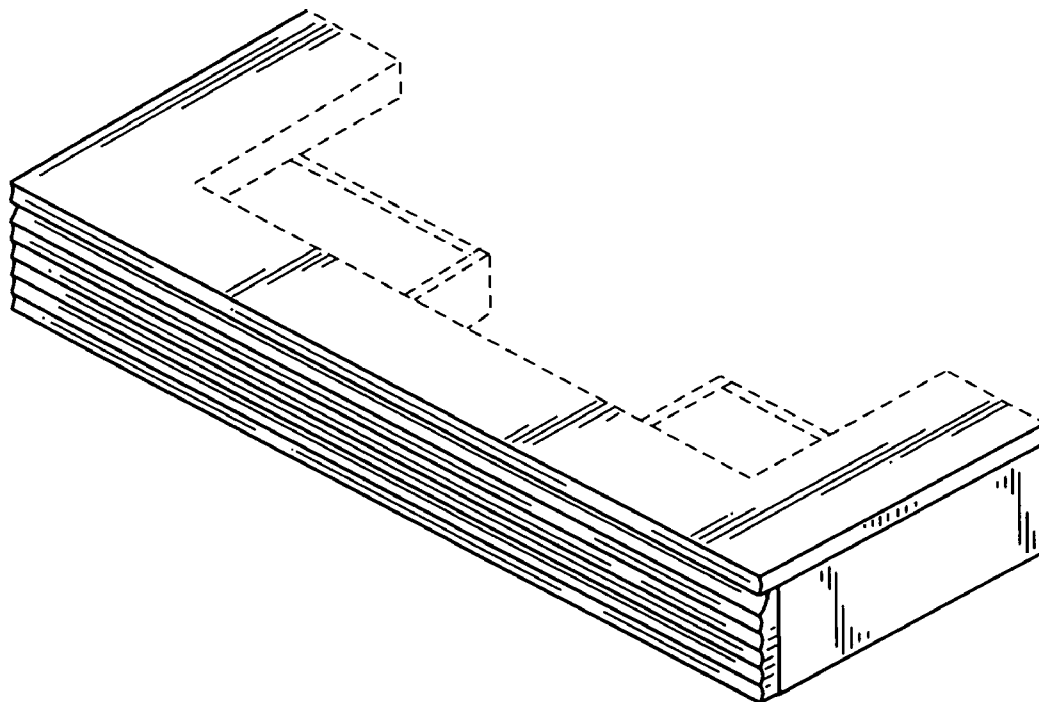
FIG. 4 is a top plan view thereof;

FIG. 5 is a bottom plan view thereof; and,

FIG. 6 is a rear elevational view thereof.

The broken line representations of wall structure in FIGS. 1 and 3-6, are for the purpose of illustration only, and form no part of the claimed design.

1 Claim, 3 Drawing Sheets



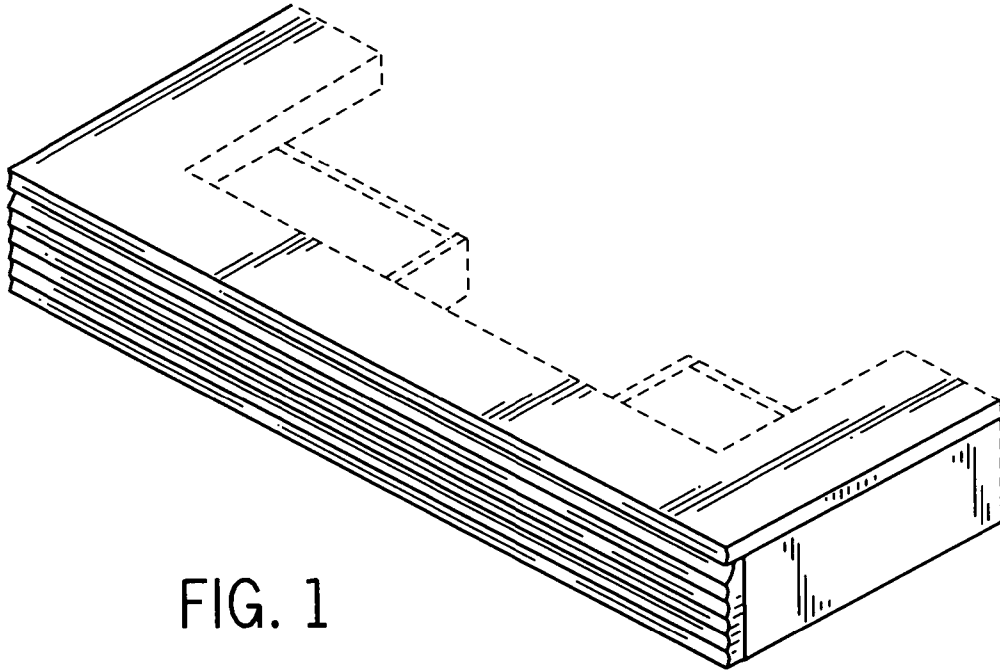


FIG. 1



FIG. 2

FIG. 3

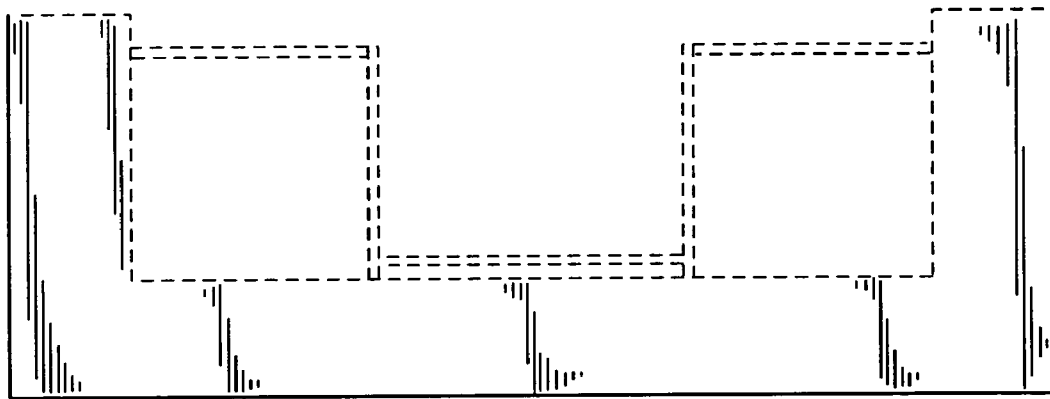
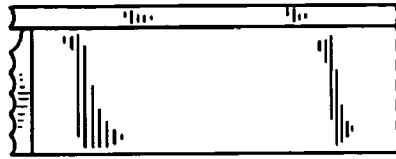


FIG. 4

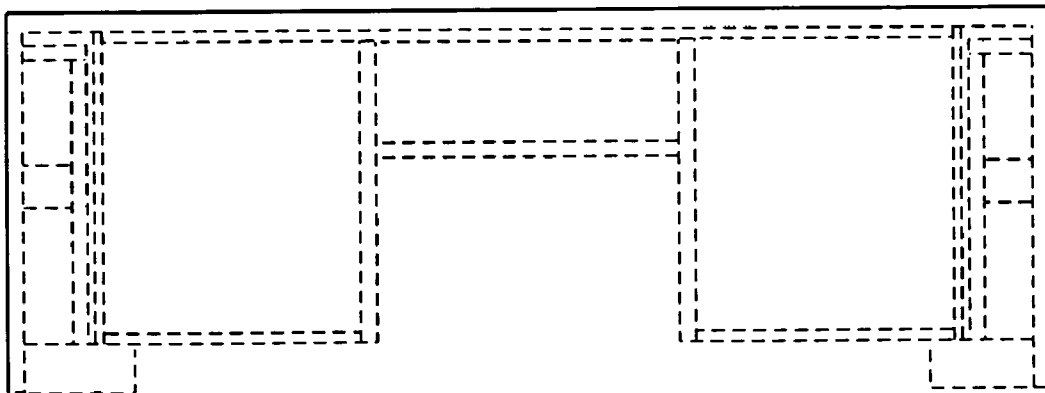


FIG. 5

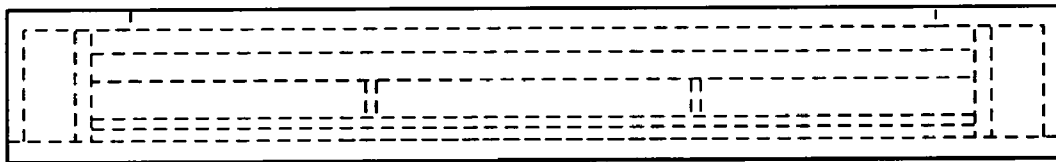


FIG. 6