



US00D881405S

(12) **United States Design Patent**  
**Hussey et al.**

(10) **Patent No.:** **US D881,405 S**  
(45) **Date of Patent:** **\*\* Apr. 14, 2020**

- (54) **ANALYSIS INSTRUMENT**
- (71) Applicant: **Talis Biomedical Corporation**, Menlo Park, CA (US)
- (72) Inventors: **Lance Gordon Hussey**, Thousand Oaks, CA (US); **Michael John McAdams**, Los Gatos, CA (US); **Sobha Pisharody**, Castro Valley, CA (US); **Marc Valer Serra**, Menlo Park, CA (US); **Shushuo Wu**, Rancho Santa Margarita, CA (US)

D705,943 S *	5/2014	Chang	.....	D24/216
D716,470 S *	10/2014	Nelsen	.....	D24/107
D731,662 S *	6/2015	Khan	.....	D24/186
D759,254 S *	6/2016	Knieriem	.....	D24/186
D765,257 S *	8/2016	Marzynski	.....	D24/186
D774,205 S *	12/2016	Grace	.....	D24/169
D796,050 S *	8/2017	Nishikawa	.....	D24/186
D830,210 S *	10/2018	Ihara	.....	D10/81
D835,283 S *	12/2018	Barker	.....	D24/186
D836,212 S *	12/2018	Diener	.....	D24/232
2019/0022648 A1 *	1/2019	Kim	.....	B01L 7/00

- (73) Assignee: **Talis Biomedical Corporation**, Menlo Park, CA (US)

Talis, posted at talis.bio, no posting date, online, URL:<https://talis.bio/> (Year: 2019).\*

(\*\*) Term: **15 Years**

\* cited by examiner

(21) Appl. No.: **29/667,651**

*Primary Examiner* — Barbara Fox

(22) Filed: **Oct. 23, 2018**

*Assistant Examiner* — Mary Shannon Malley

(51) **LOC (12) Cl.** ..... **24-01**

(74) *Attorney, Agent, or Firm* — Shay Glenn LLP

(52) **U.S. Cl.** ..... **D24/216**

(58) **Field of Classification Search**

(57) **CLAIM**

The ornamental design for an analysis instrument, as shown and described.

USPC ..... **D24/216**

D24/186, 107-108, 169, 216-219, D24/223-225, 229-233; D10/81

CPC ..... Y10S 436/806; Y10S 436/809; Y10S 977/918; B01D 15/3804; B01D 15/10; B01D 15/3809; B01D 15/3857; B01L 2300/0867; B01L 7/52; G06K 9/00127; G01N 33/53; G01N 2035/00306; G01N 2035/00326; G01N 2035/00336; G01N 2035/00366

**DESCRIPTION**

FIG. 1 is a front, top, and right perspective view of an analysis instrument;

FIG. 2 is a rear, bottom, and left perspective thereof;

FIG. 3 is a front view thereof;

FIG. 4 is a rear view thereof;

FIG. 5 is a left view thereof;

FIG. 6 is a right view thereof;

FIG. 7 is a top view thereof; and,

FIG. 8 is a bottom view thereof.

The broken lines depict portions of the analysis instrument that form no part of the claimed design.

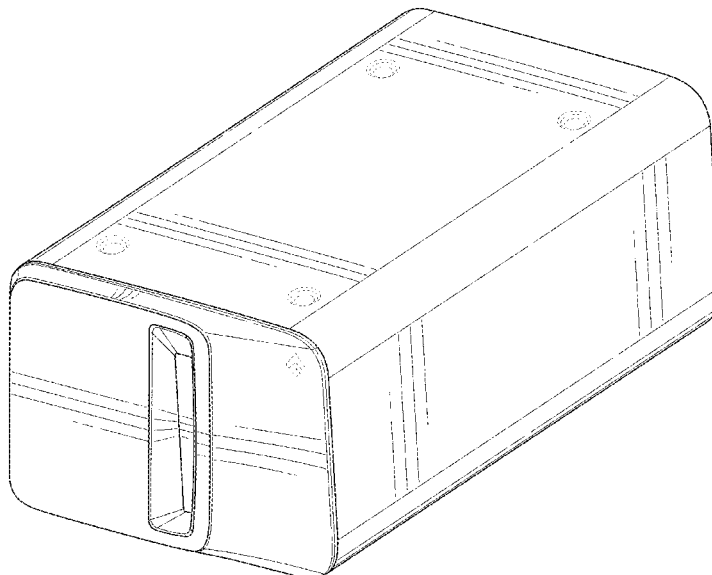
See application file for complete search history.

(56) **References Cited**

**U.S. PATENT DOCUMENTS**

D549,827 S *	8/2007	Maeno	.....	D24/169
D698,925 S *	2/2014	Marzynski	.....	D24/186

**1 Claim, 8 Drawing Sheets**



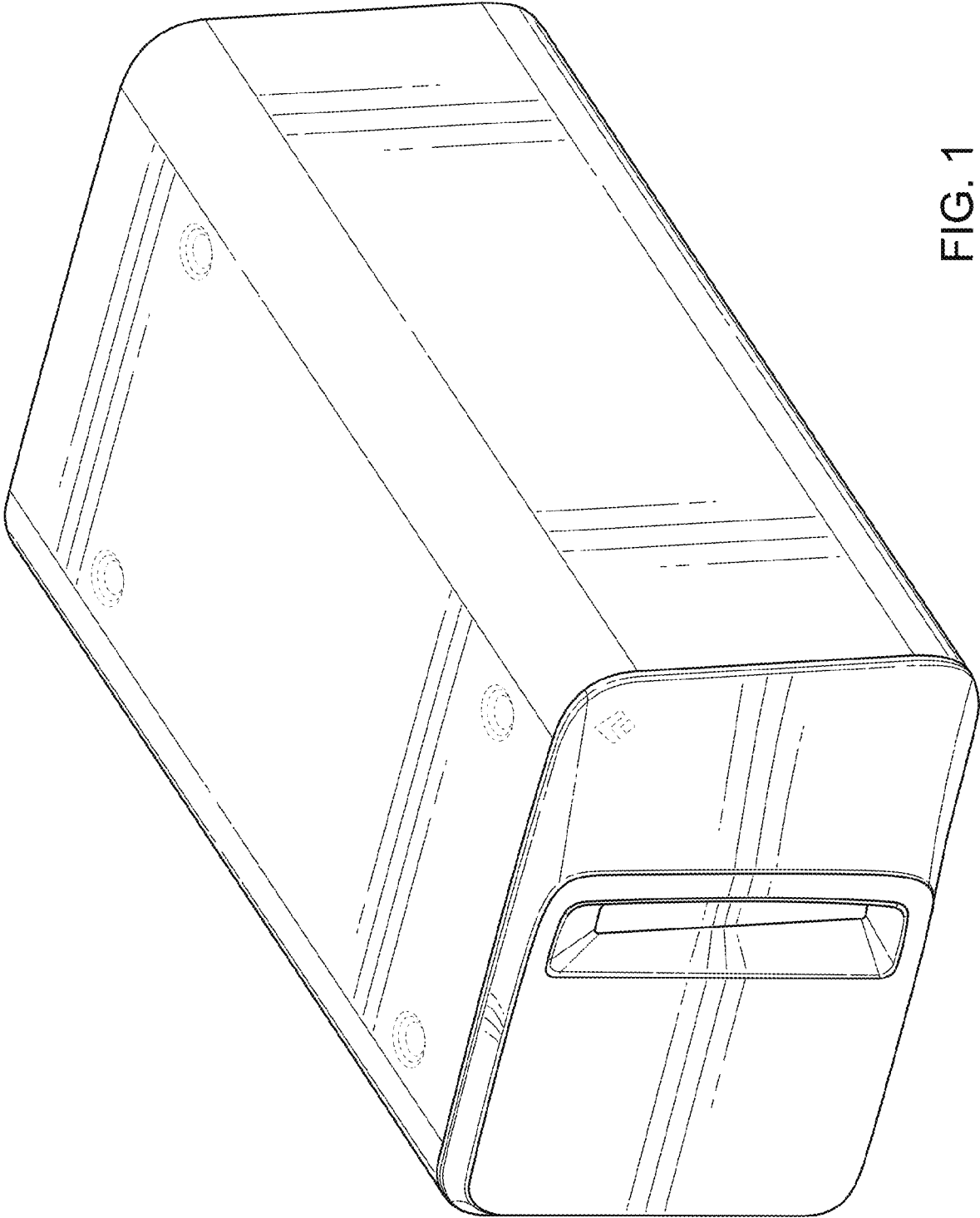


FIG. 1

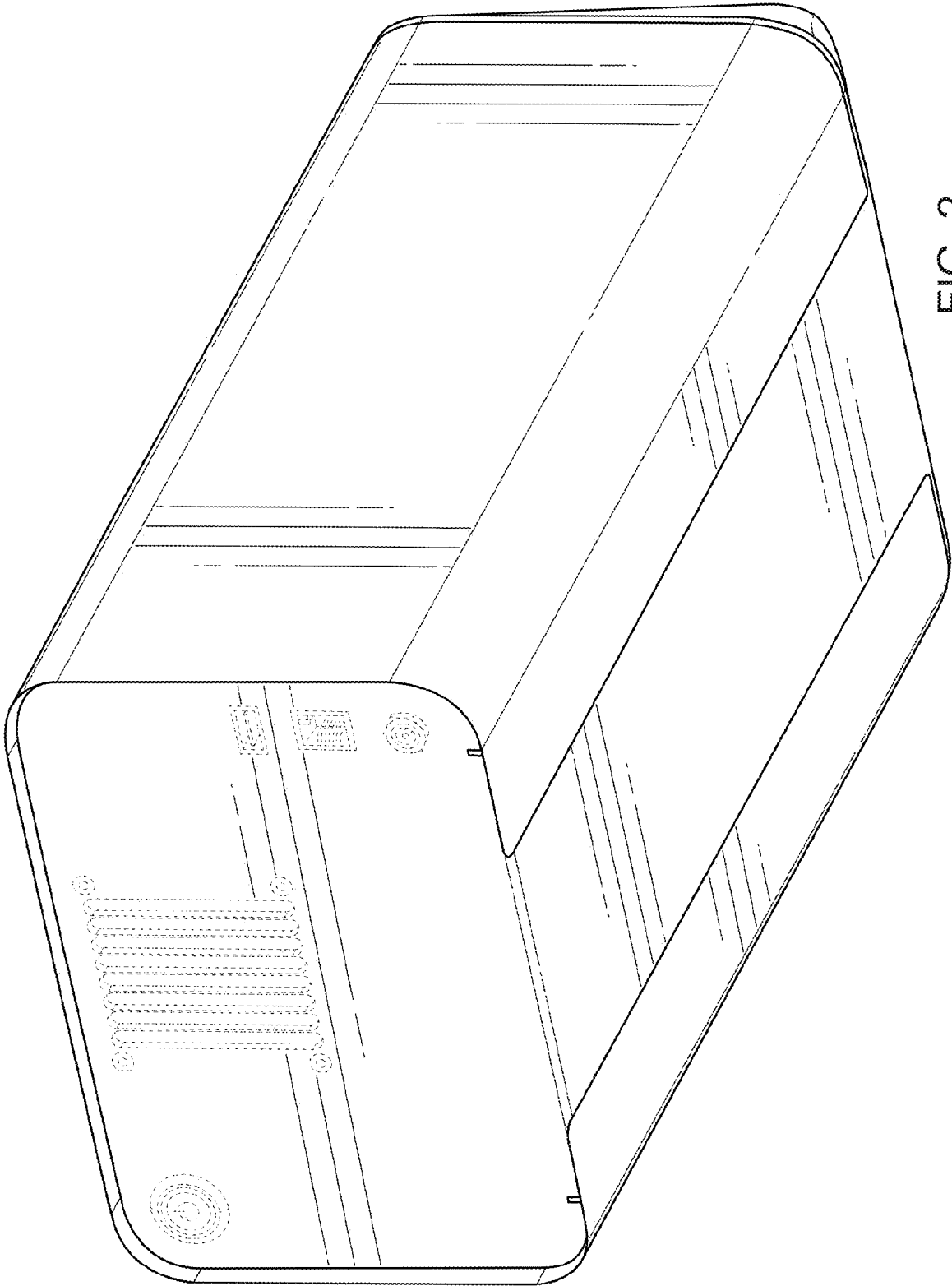


FIG. 2

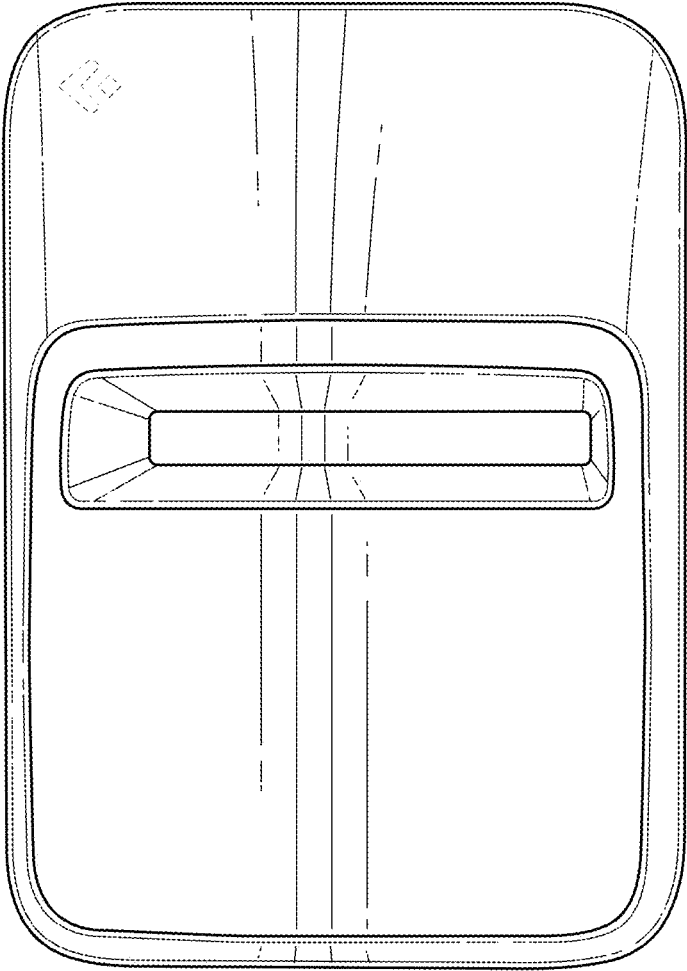


FIG. 3

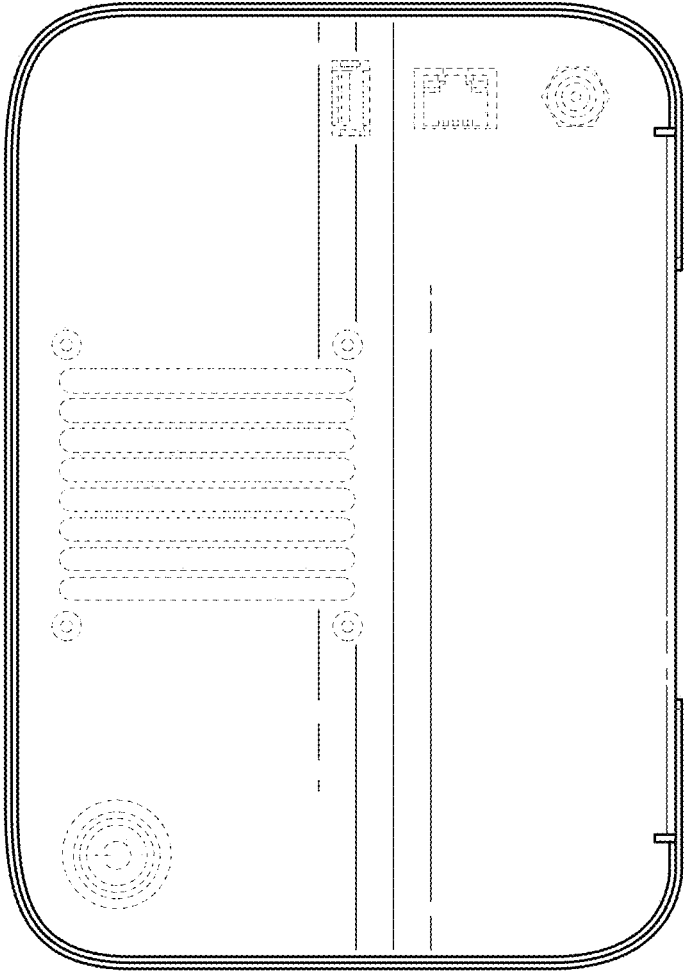


FIG. 4

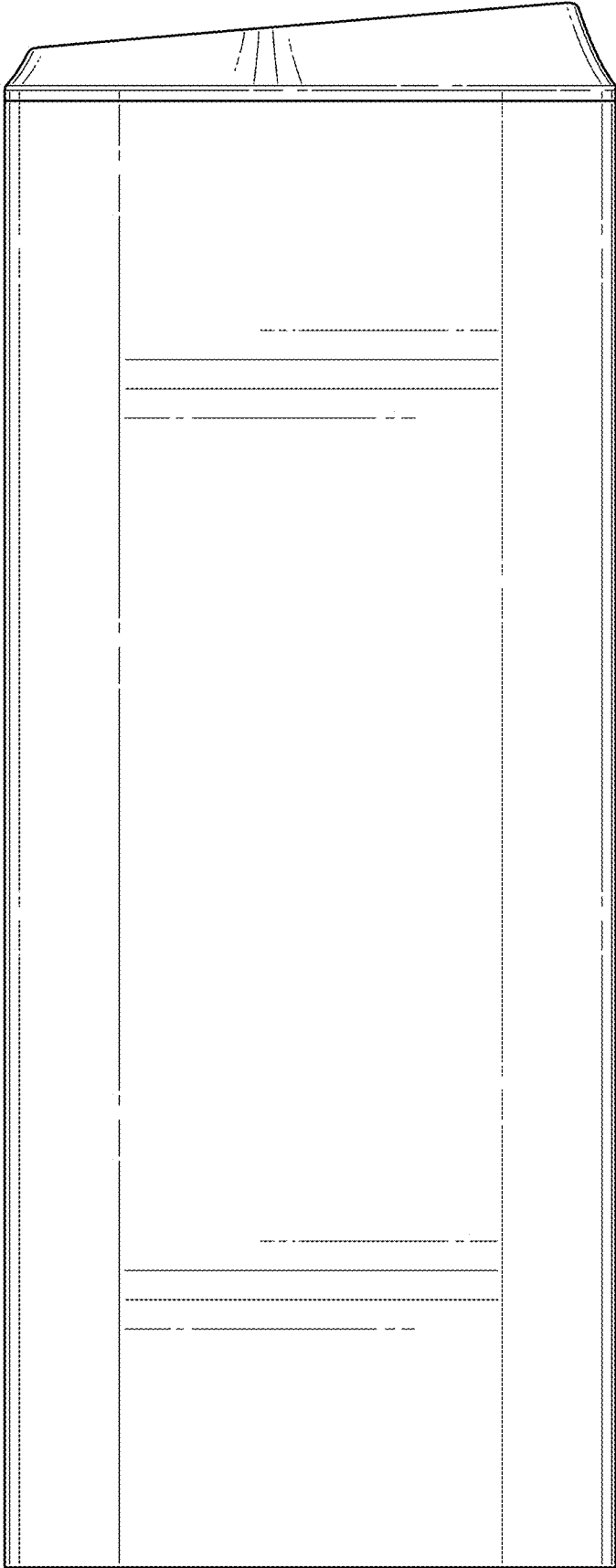


FIG. 5

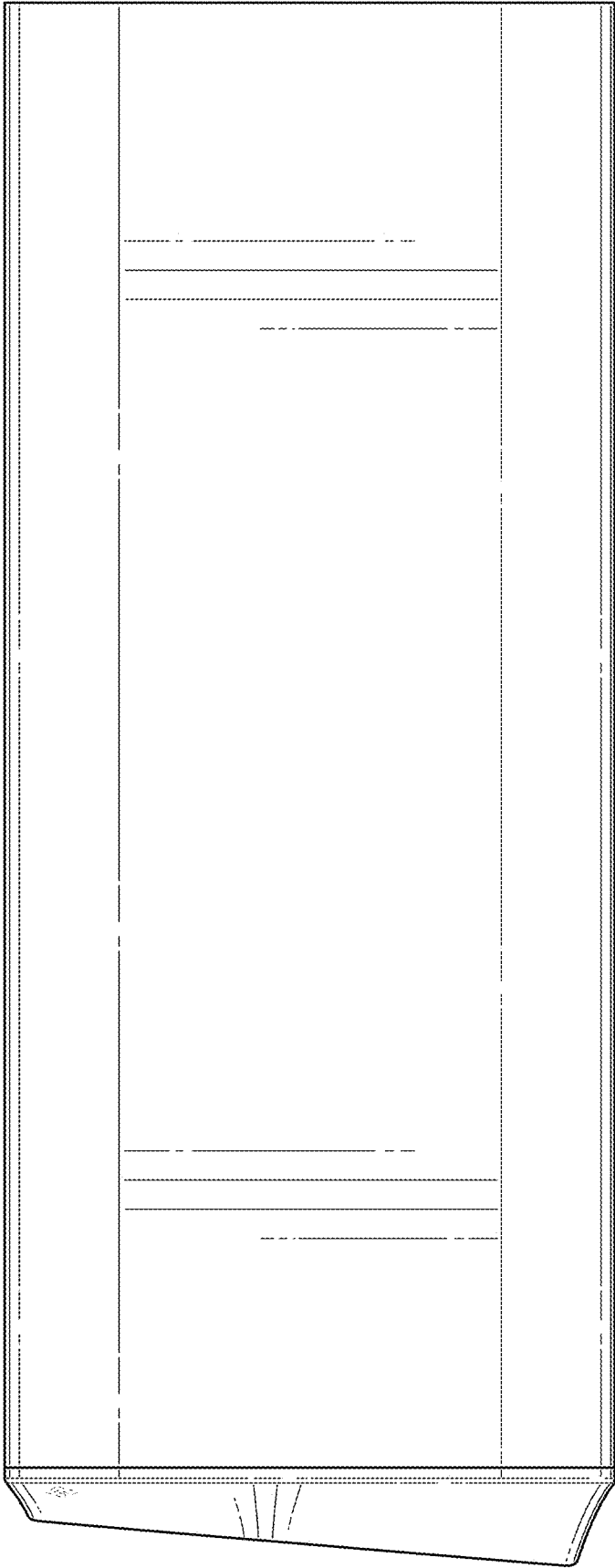


FIG. 6

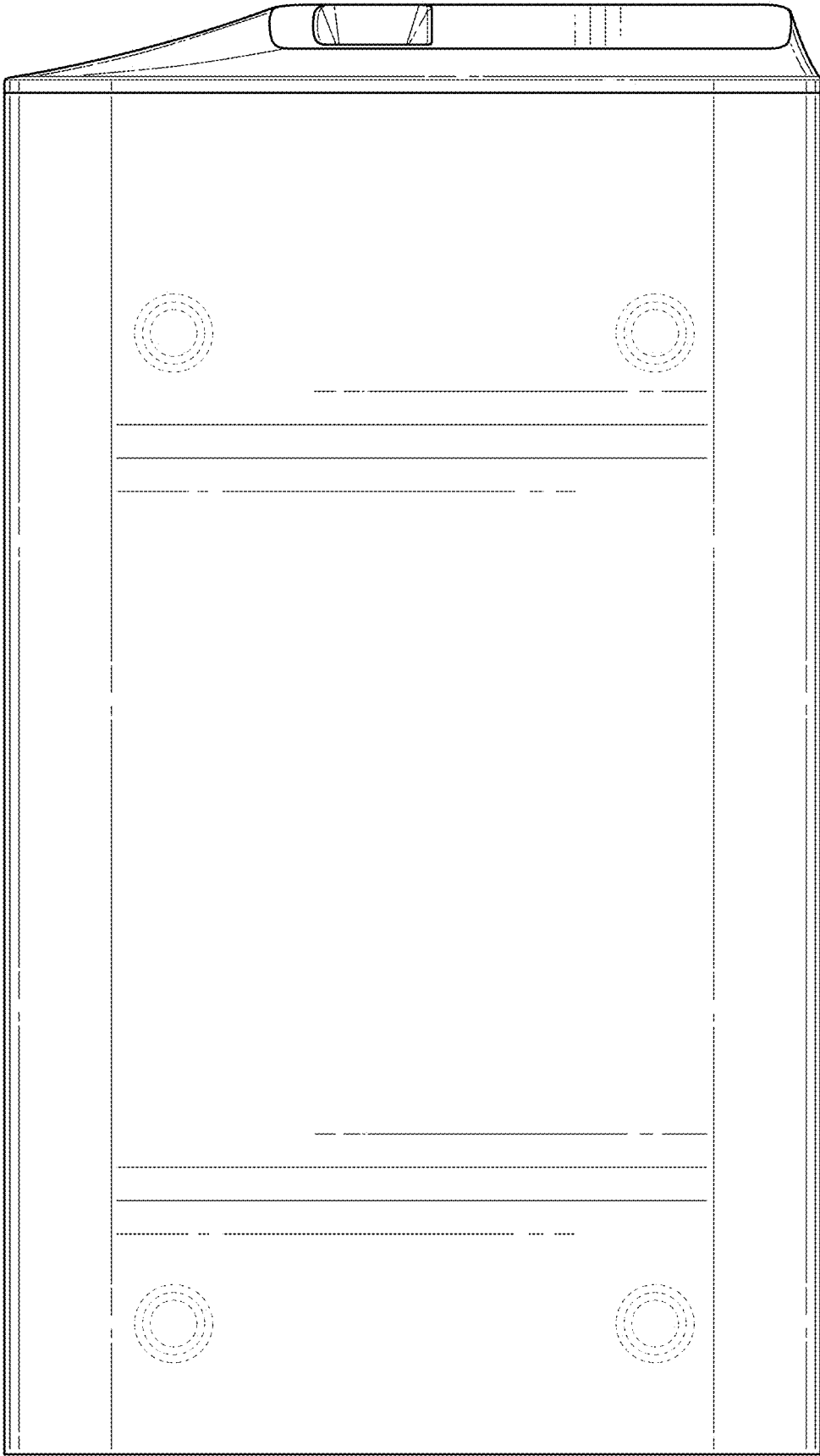


FIG. 7



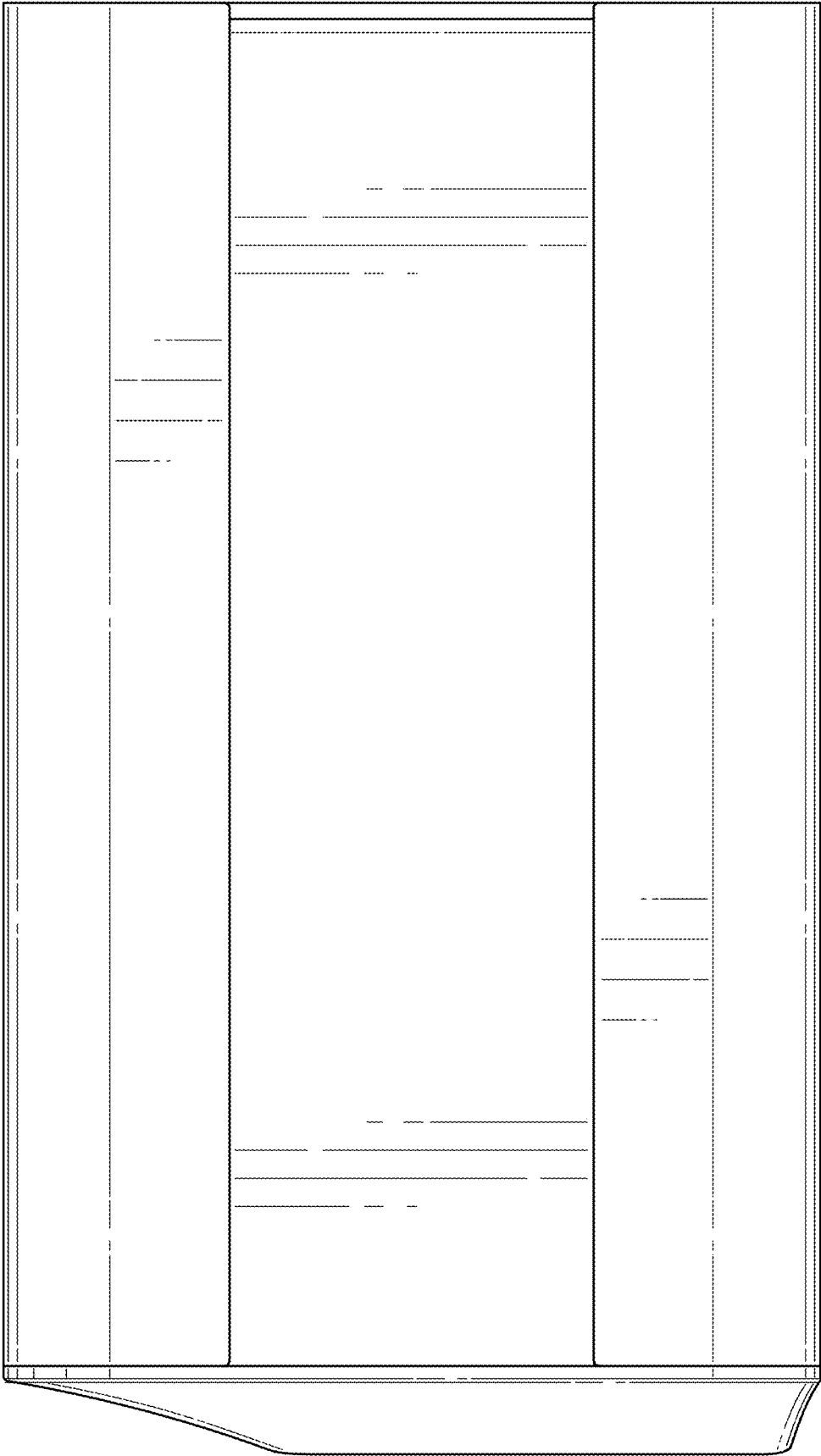


FIG. 8