



US00D462150S

(12) **United States Design Patent** (10) **Patent No.:** **US D462,150 S**
Rader et al. (45) **Date of Patent:** **** Aug. 27, 2002**

(54) **CLEANING PAD**

(75) Inventors: **James E. Rader**, Pleasanton; **Scott T. Haubrich**, San Leandro; **Richard Porticos**, Los Altos; **Gene Park**, Oakland, all of CA (US)

(73) Assignee: **The Clorox Company**, Oakland, CA (US)

(**) Term: **14 Years**

(21) Appl. No.: **29/140,103**

(22) Filed: **Apr. 11, 2001**

(51) **LOC (7) Cl.** **04-02**

(52) **U.S. Cl.** **D32/40**

(58) **Field of Search** 5/208, 209.1, 210.1, 5/228, 246; 428/196; D32/35, 40; D24/124, 125; 604/385.01, 385.04

(56) **References Cited**

U.S. PATENT DOCUMENTS

6,101,661	A	8/2000	Policicchio et al.	
6,165,160	A	* 12/2000	Suzuki et al.	604/385.01
6,316,687	B1	* 11/2001	Davis et al.	604/385.01
6,319,593	B1	* 11/2001	Kenmochi et al.	15/209.1
6,369,291	B1	* 4/2002	Uchimoto et al.	604/385.01

* cited by examiner

Primary Examiner—Jennifer Rivard

(74) *Attorney, Agent, or Firm*—Ray K. Shahani, Esq.; Joel J. Hayashida, Esq.

(57) **CLAIM**

We claim the ornamental design for a cleaning pad, as shown and described.

DESCRIPTION

This Application is related to and incorporates herein by reference, in its entirety, pending U.S. patent application Ser. No. 09/689,433 filed Oct. 11, 2000 entitled advanced cleaning system, and claims any and all benefits to which it is entitled therefrom, which is related to and incorporates by reference, in its entirety, U.S. Provisional patent application Ser. No. 60/192,040 filed Mar. 24, 2000 entitled cleaning system, and claims any and all benefits to which it is entitled therefrom.

FIG. 1 is a bottom view of the cleaning pad showing our new design;

FIG. 2 is a top side view thereof;

FIG. 3 is a front side view thereof;

FIG. 4 is a rear side view thereof;

FIG. 5 is a right side view thereof;

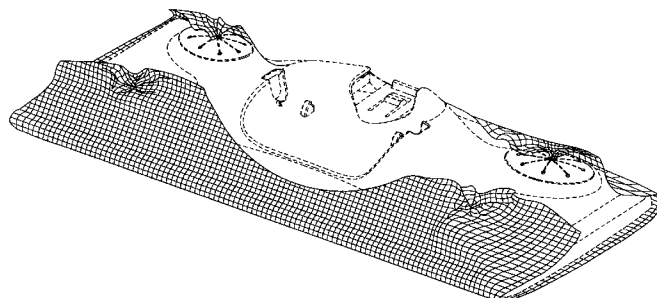
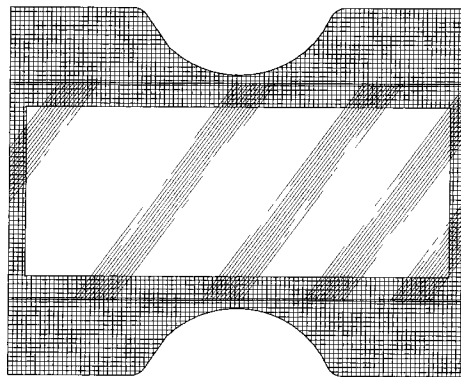
FIG. 6 is a left side view thereof; and

FIG. 7 is a perspective rear, top, right side view of a cleaning head showing the apparatus and method of use of the cleaning pad of the present invention (unclaimed cleaning system structure being shown in broken lines); and,

FIG. 8 is a perspective front, top, left side view of a cleaning system showing the apparatus and method of use of the cleaning pad of the present invention (unclaimed cleaning system structure being shown in broken lines).

The broken lines showing cleaning system environmental structure are for illustrative purposes only and form no part of the claimed design.

1 Claim, 5 Drawing Sheets



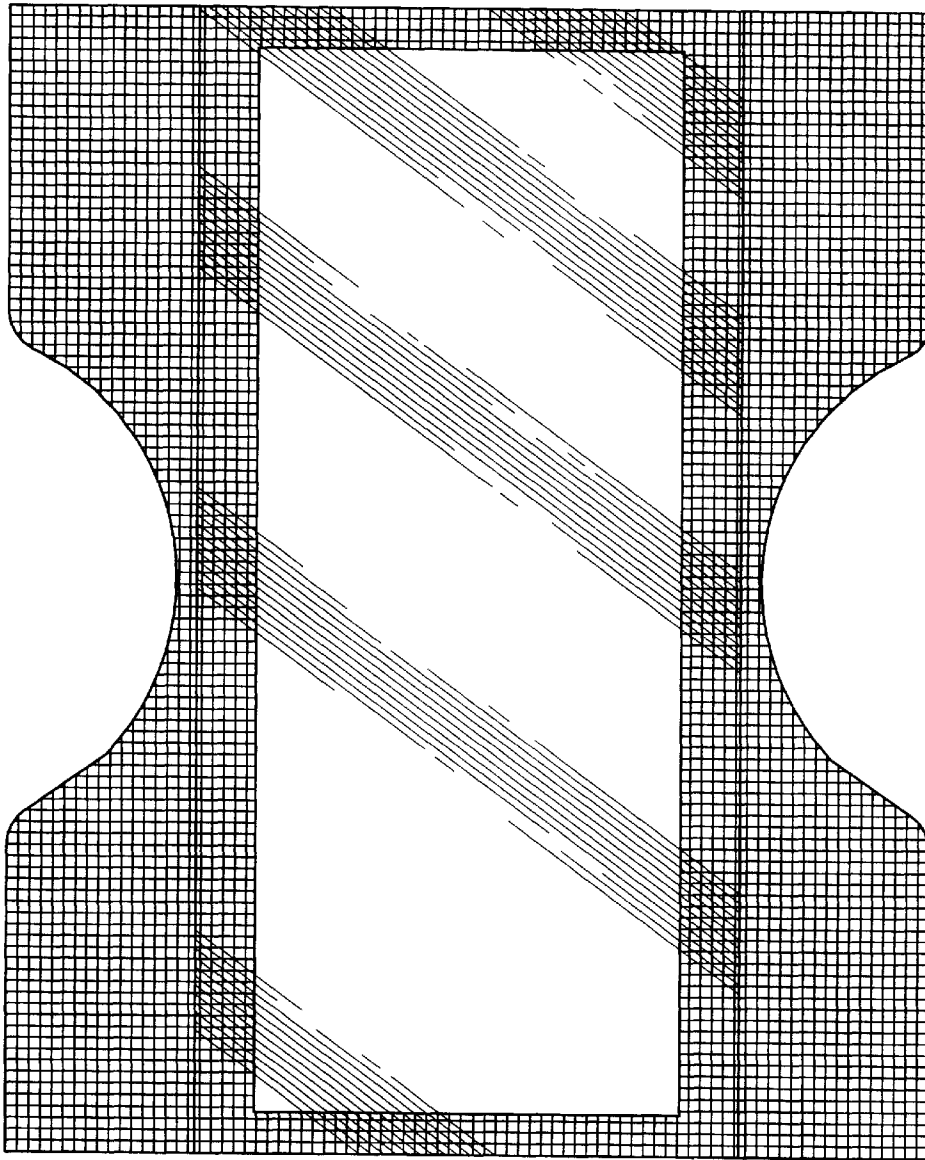


FIG. 1

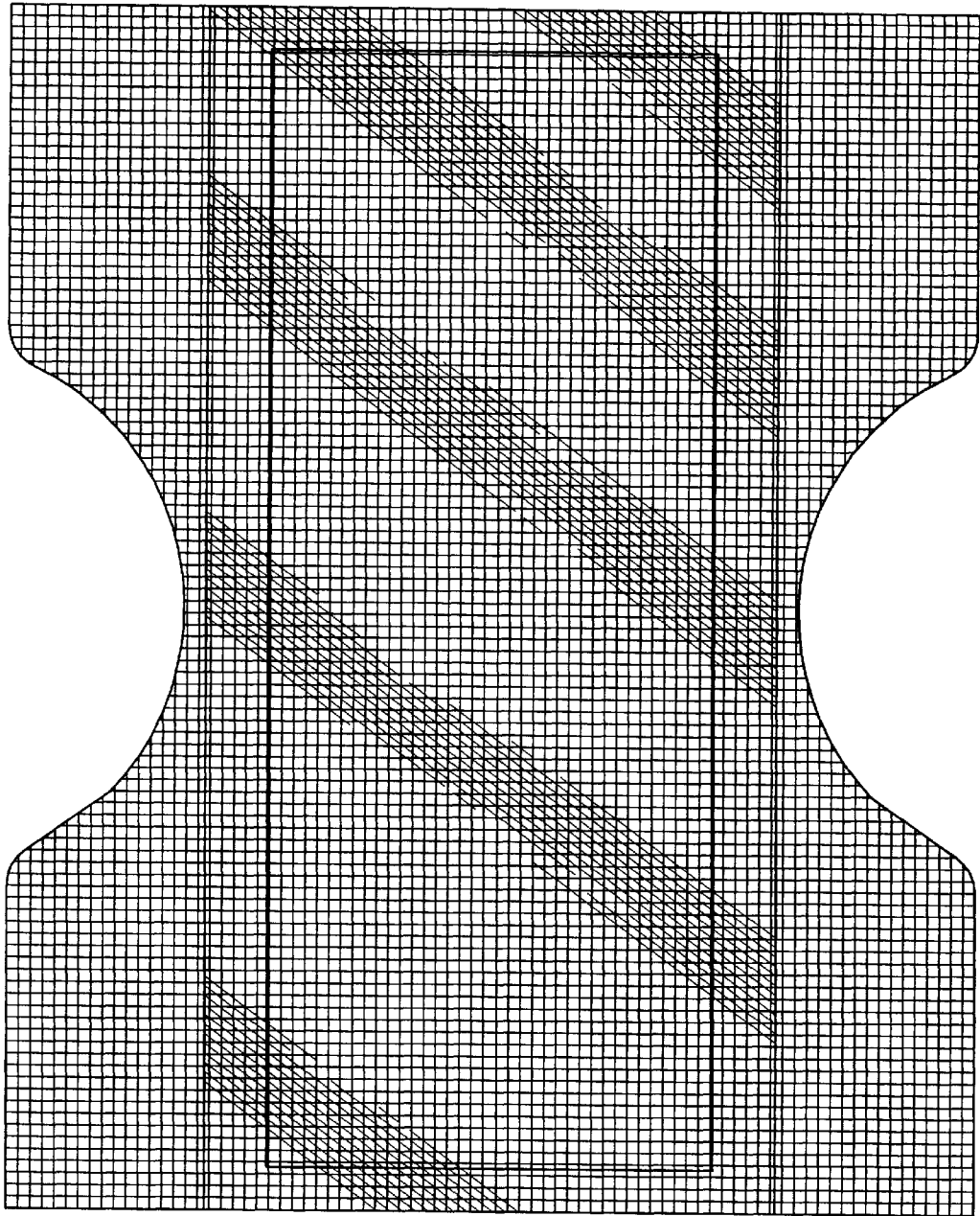


FIG. 2



FIG. 3



FIG. 4



FIG. 5



FIG. 6

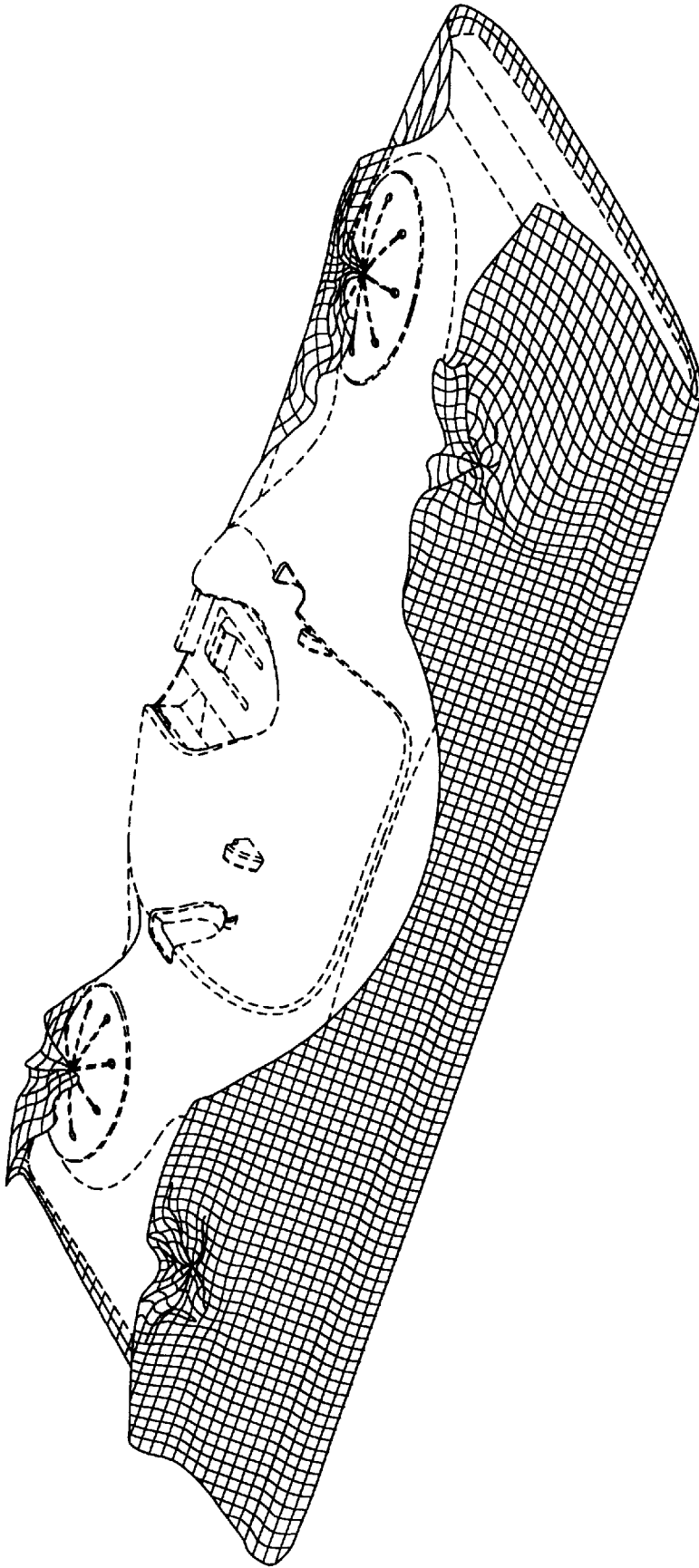


FIG. 7

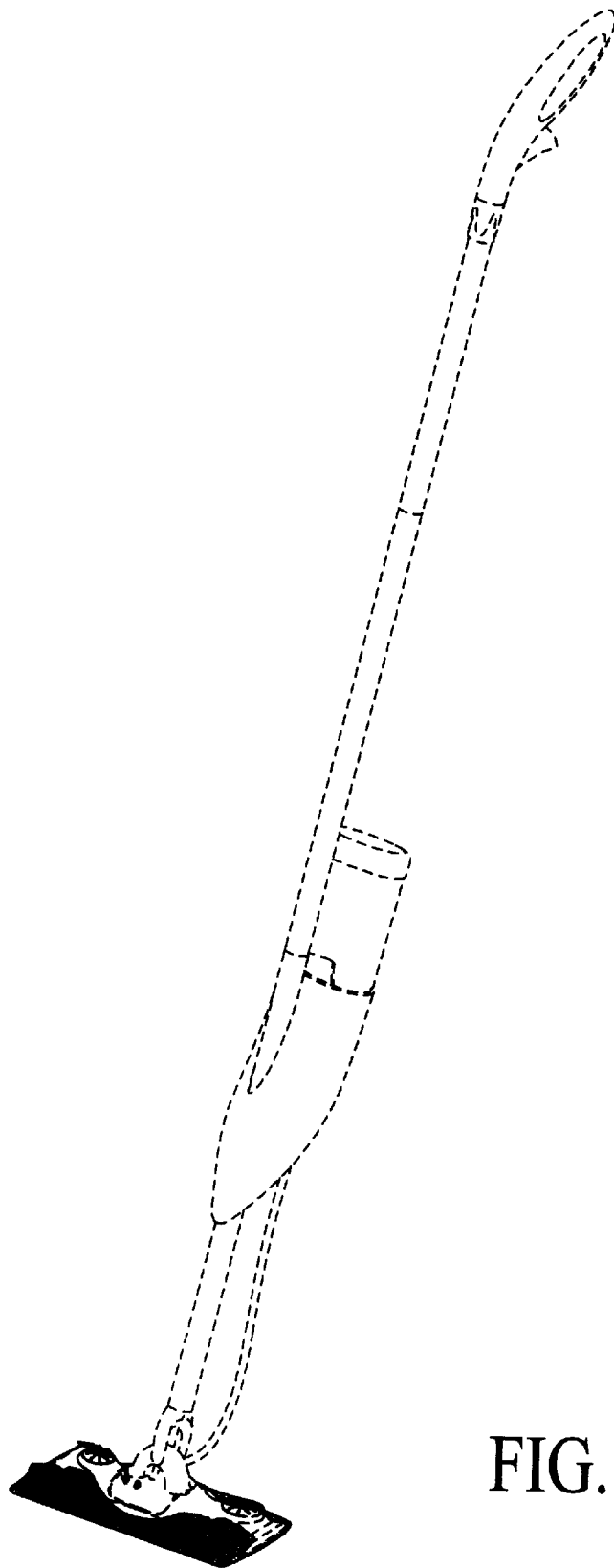


FIG. 8

UNITED STATES PATENT AND TRADEMARK OFFICE
CERTIFICATE OF CORRECTION

PATENT NO. : Des. 462,150 S
DATED : August 27, 2002
INVENTOR(S) : Rader et al.

Page 1 of 1

It is certified that error appears in the above-identified patent and that said Letters Patent is hereby corrected as shown below:

Title page.

Please insert:

-- Item [63], **Related U.S. Application Data**

U.S. Patent Application Serial No. 09/489,433 filed October 11, 2000 entitled
ADVANCED CLEANING SYSTEM, base on U.S. Provisional Patent Application
Serial No. 60/192,040 filed March 24, 2000 entitled CLEANING SYSTEM. --

DESCRIPTION:

Fig. 1 should read as follows:

-- Fig. 1 is a bottom side view of the cleaning pad showing our new design; --

Signed and Sealed this

Twenty-sixth Day of November, 2002

Attest:



Attesting Officer

JAMES E. ROGAN
Director of the United States Patent and Trademark Office