



US00D910126S

(12) **United States Design Patent**
DiMarco

(10) **Patent No.:** **US D910,126 S**

(45) **Date of Patent:** **** Feb. 9, 2021**

- (54) **BODY STRETCHING BAR**
- (71) Applicant: **John DiMarco**, Massapequa, NY (US)
- (72) Inventor: **John DiMarco**, Massapequa, NY (US)
- (**) Term: **15 Years**
- (21) Appl. No.: **29/651,881**
- (22) Filed: **May 29, 2019**
- (51) **LOC (13) Cl.** **21-02**
- (52) **U.S. Cl.**
USPC **D21/691; D21/679**
- (58) **Field of Classification Search**
USPC D8/14; D6/349; D32/42; D25/67;
D21/694, 691, 690, 689, 688, 686, 685,
D21/684, 682, 681, 680, 679, 662;
D14/209.1; 482/95, 93, 91, 83, 8, 51, 5,
482/49, 45, 44, 41, 40, 38, 36, 34, 25,
482/148, 146, 142, 141, 139, 138, 132,
482/131, 121, 111, 108, 107, 106, 104,
482/100
CPC A63B 23/1236; A63B 21/4035; A63B
21/00047; A63B 23/12; A63B 2210/50;
A63B 21/068; A63B 23/03541; A63B
23/0211; A63B 21/0004; A63B 23/1218;
A63B 23/1227; A63B 21/4049; A63B
2208/0219; A63B 2208/0295; A63B
23/1209; A63B 1/00
See application file for complete search history.

- 3,016,267 A * 1/1962 Cones A47C 16/02
297/423.41
- 3,077,347 A * 2/1963 Nova A63B 21/00054
482/142
- 3,809,393 A * 5/1974 Jones A63B 22/20
482/132
- 4,103,887 A * 8/1978 Shoofler A63B 21/0602
482/106
- 4,126,308 A * 11/1978 Crumley A63B 22/20
482/148
- 4,176,835 A * 12/1979 Aziz A63B 23/0211
482/140

(Continued)

OTHER PUBLICATIONS

Pink by Shape Stretch dated no date given. Found online [Oct. 27, 2020] <https://shapestretch.com/products/mystretchbar-commercial-stretching-equipment-with-guide-videos-1>.*

Primary Examiner — Ryan Harvey

(57) **CLAIM**

The ornamental design for a body stretching bar, as shown and described.

DESCRIPTION

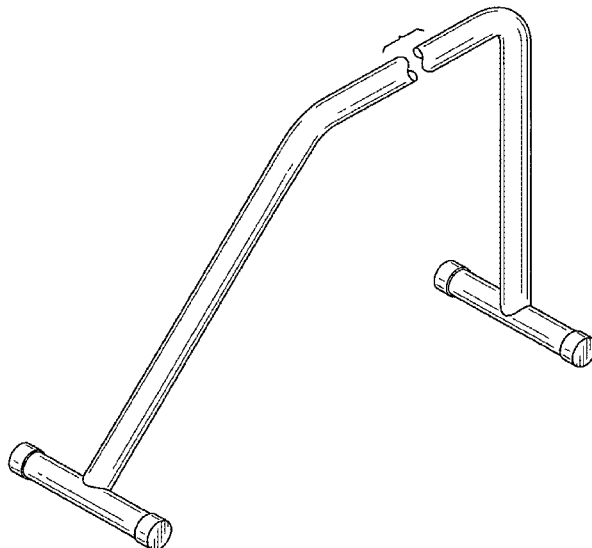
FIG. 1 is a perspective view of the body stretching bar; FIG. 2 is a front elevation view thereof; FIG. 3 is a rear elevation view thereof; FIG. 4 is a left side elevation view thereof; FIG. 5 is a right side elevation view thereof; FIG. 6 is a top plan view thereof; FIG. 7 is a bottom plan view thereof; and, FIG. 8 is an additional perspective view of the body stretching bar in a typical environment. The broken lines of FIG. 8 depict environment and form no part of the claimed design. The claimed design is shown with a symbolic break in its length. The appearance of any portion of the article between the break lines forms no part of the claimed design.

1 Claim, 8 Drawing Sheets

(56) **References Cited**

U.S. PATENT DOCUMENTS

- 2,666,640 A * 1/1954 Jennings, Sr. A63B 3/00
482/141
- 2,817,347 A * 12/1957 Hilt, Sr. A61H 3/00
135/65
- 2,919,918 A * 1/1960 Horn A63B 21/00047
482/142



US D910,126 S

Page 3

(56)

References Cited

U.S. PATENT DOCUMENTS

2005/0130806	A1 *	6/2005	Lopez	A63B 23/12	482/38	2014/0018217	A1 *	1/2014	Brown	A63B 23/0355
2005/0148448	A1 *	7/2005	Mersch	A63B 23/12	482/141	2014/0066274	A1 *	3/2014	Kassel	A63B 21/4035
2005/0187083	A1 *	8/2005	Krystoff	A63B 21/00047	482/140	2014/0194265	A1 *	7/2014	Torres	A63B 23/02
2005/0209054	A1 *	9/2005	Thomas Lebert	A63B 1/00	482/41	2014/0249001	A1 *	9/2014	Malvezzi	A63B 21/072
2006/0040809	A1 *	2/2006	Godbold	A63B 23/12	482/141	2014/0274598	A1 *	9/2014	Anderson	A63B 21/06
2007/0010375	A1 *	1/2007	Corte	A63B 1/00	482/41	2014/0287881	A1 *	9/2014	Wallisch	A63B 21/00047
2007/0184951	A1 *	8/2007	James	A63B 21/4035	482/141	2014/0302968	A1 *	10/2014	Velikin	A63B 1/00
2008/0045390	A1 *	2/2008	Harms	A63B 23/12	482/141	2014/0357459	A1 *	12/2014	Izzo	A63B 21/4035
2008/0051273	A1 *	2/2008	Storch	A63B 21/4035	482/141	2015/0126335	A1 *	5/2015	Gilson	A63B 1/00
2009/0124471	A1 *	5/2009	Storch	A63B 21/4035	482/141	2015/0126340	A1 *	5/2015	White	A63B 23/1236
2010/0022365	A1 *	1/2010	Ngu	A63B 21/075	482/108	2015/0148197	A1 *	5/2015	Lentz	A63B 21/1618
2010/0130337	A1 *	5/2010	Stewart	A63B 23/12	482/121	2015/0238795	A1 *	8/2015	Domesick	A63B 23/0205
2010/0210430	A1 *	8/2010	Mulderrig	A63B 21/4035	482/141	2015/0335935	A1 *	11/2015	Peralo	A63B 22/20
2010/0221974	A1 *	9/2010	Monaghan	A63B 59/50	446/75	2015/0360071	A1 *	12/2015	Lee	A63B 21/025
2010/0292058	A1 *	11/2010	Barnes	A63B 26/00	482/139	2015/0367170	A1 *	12/2015	Robertson	A63B 21/00065
2011/0065555	A1 *	3/2011	Moskowich	A63B 23/12	482/141	2015/0375027	A1 *	12/2015	Neal	A63B 23/1236
2012/0040811	A1 *	2/2012	DeTore	A63B 21/00047	482/141	2016/0074693	A1 *	3/2016	Henry	A63B 21/4033
2012/0258847	A1 *	10/2012	Lafferty	A63B 21/4035	482/141	2016/0082313	A1 *	3/2016	MacColl	A63B 23/0233
2013/0072365	A1 *	3/2013	Ross	A63B 23/1236	482/141	2016/0129302	A1 *	5/2016	Vallo	A61H 1/0292
2013/0237394	A1 *	9/2013	Fowler	A63B 23/1236	482/142	2016/0158597	A1 *	6/2016	Nguyen	A63B 21/00047
2013/0260970	A1 *	10/2013	Moskowich	A63B 23/1236	482/141	2017/0001068	A1 *	1/2017	Cauble	A63B 21/4034
2013/0274078	A1 *	10/2013	Andrews	A63B 21/4035	482/141	2017/0304669	A1 *	10/2017	LaCaze	A63B 21/045
2013/0316884	A1 *	11/2013	Gobeil	A63B 21/068	482/141	2017/0319895	A1 *	11/2017	Davis	A63B 23/1236
2013/0324382	A1 *	12/2013	Wilson	A63B 23/0211	482/142	2018/0036571	A1 *	2/2018	Channer	A63B 23/1236
2014/0005013	A1 *	1/2014	Kassemi	A63B 21/4035	482/108	2018/0036588	A1 *	2/2018	Brown	A63B 21/0004
							2018/0169465	A1 *	6/2018	Tellam	A63B 21/1654
							2018/0169468	A1 *	6/2018	Barrie, III	A63B 23/1236
							2018/0243631	A1 *	8/2018	DiMarco	A63B 69/3623
							2019/0009137	A1 *	1/2019	Trevino	A63B 22/16
							2020/0114190	A1 *	4/2020	Tuller	A63B 21/0722
							2020/0324165	A1 *	10/2020	Sasano	A63B 23/1236

* cited by examiner

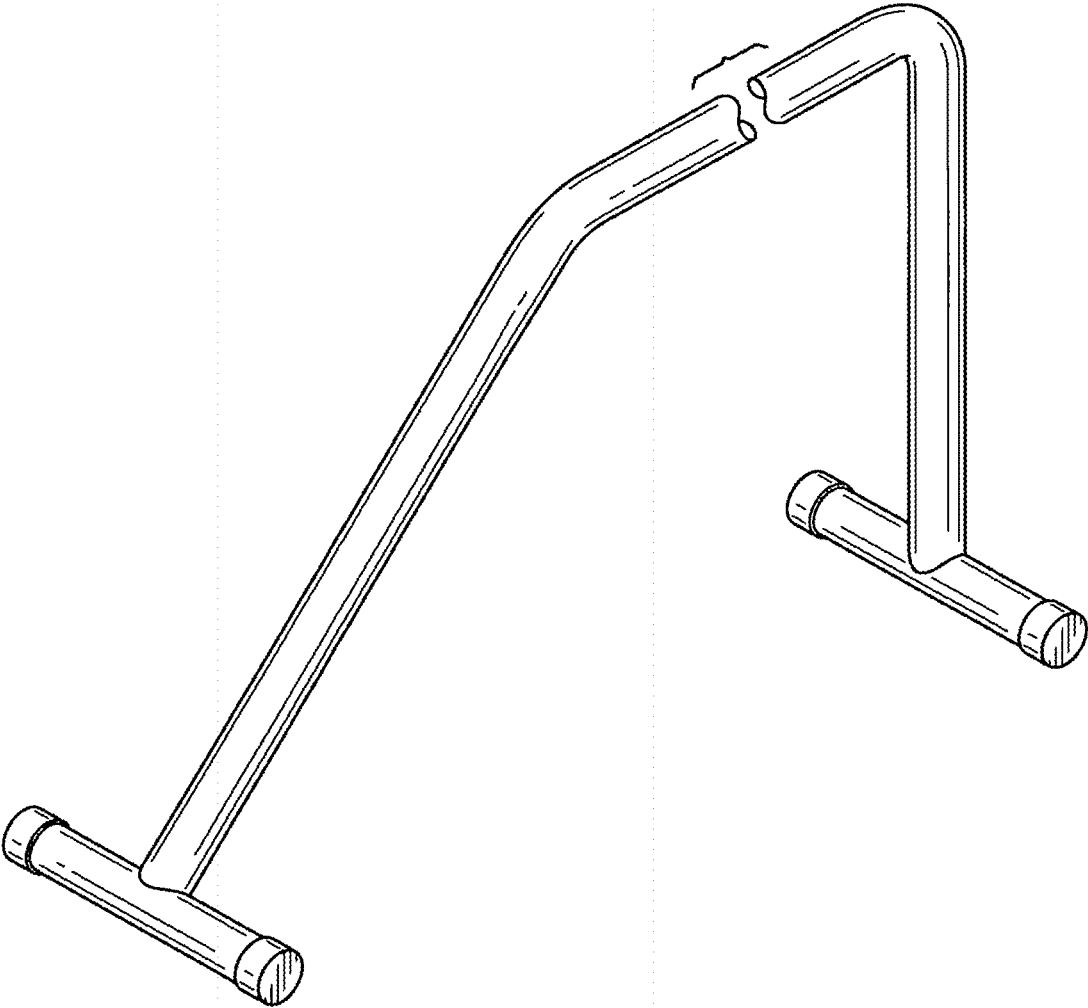


FIG. 1

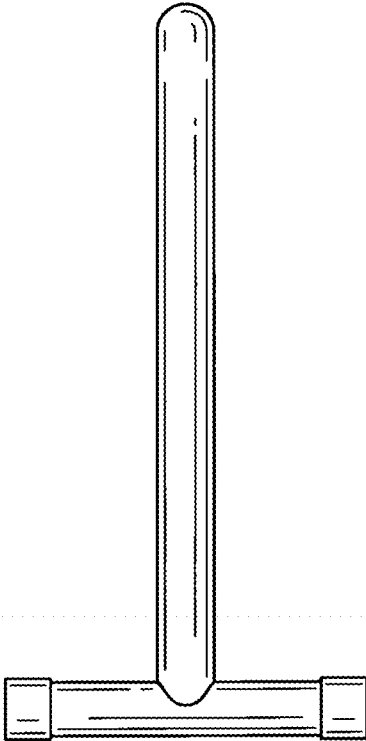


FIG. 2

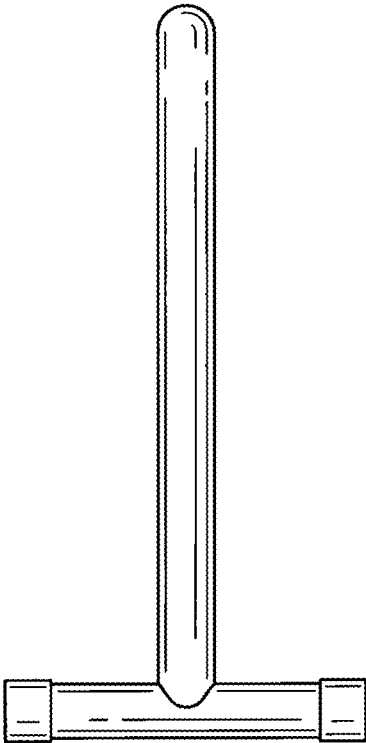


FIG. 3

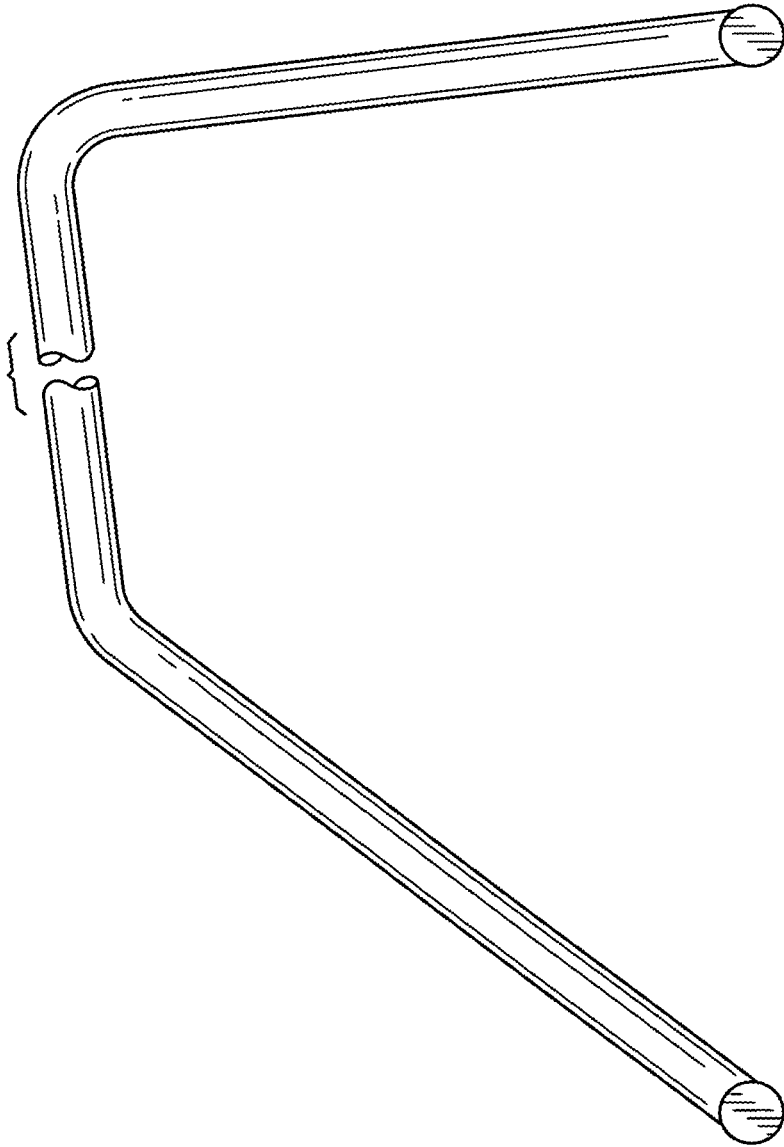


FIG. 4

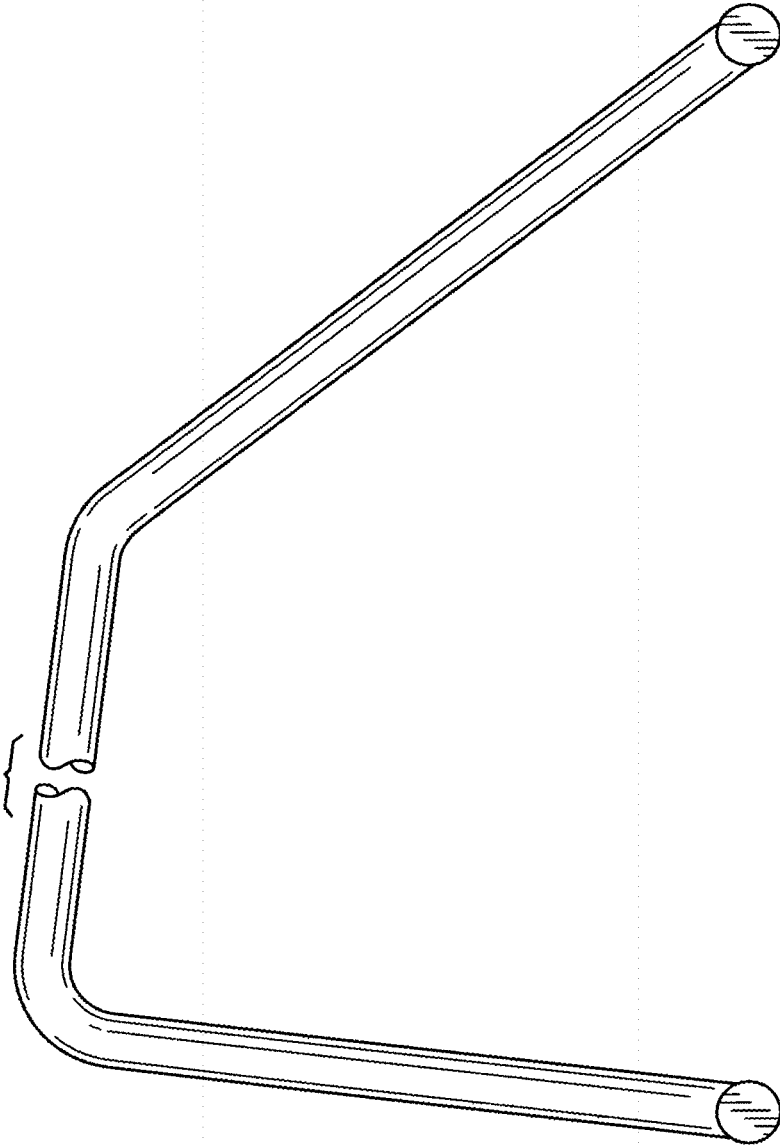


FIG. 5

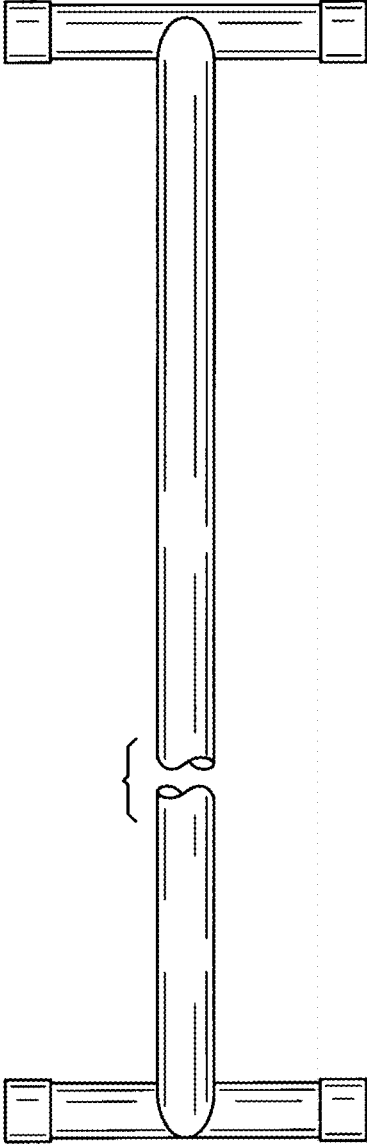


FIG. 6

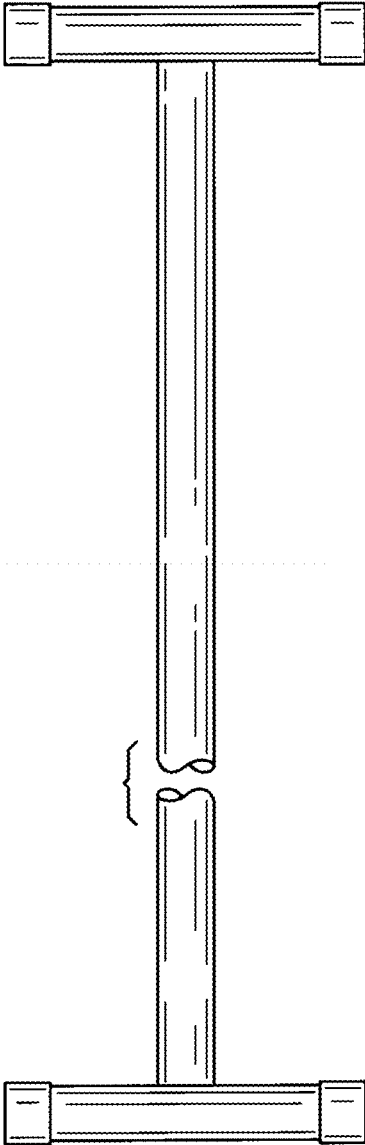


FIG. 7

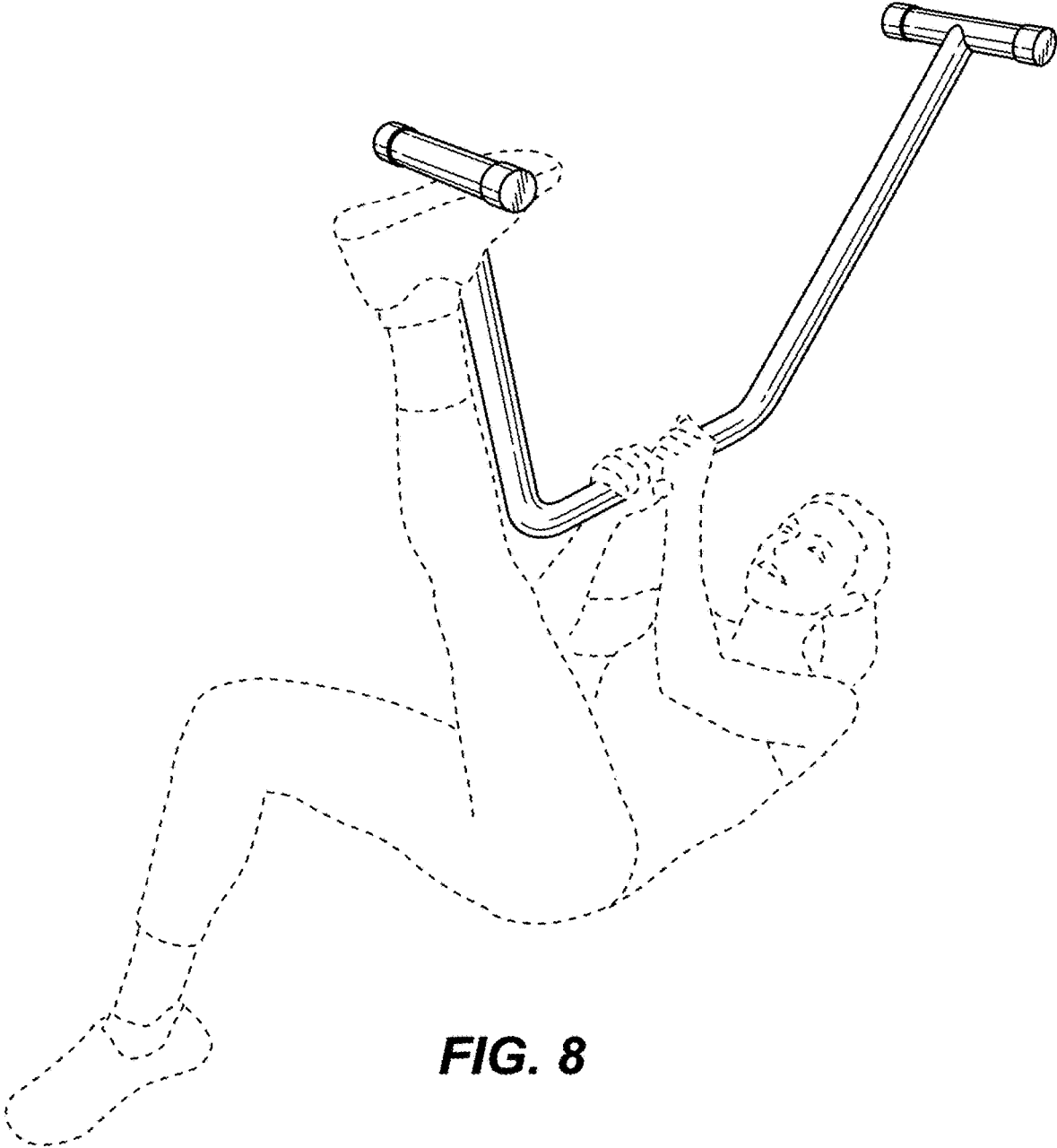


FIG. 8