



US00D558513S

(12) **United States Design Patent**
Scholze et al.

(10) **Patent No.:** **US D558,513 S**

(45) **Date of Patent:** **** Jan. 1, 2008**

(54) **INVERTIBLE LID**

(75) Inventors: **Jeanne Mynatt Scholze**, South
Pittsburg, TN (US); **Lawrence Joseph**
Raydo, Jasper, TN (US)

(73) Assignee: **Lodge Manufacturing Company**,
South Pittsburg, TN (US)

(**) Term: **14 Years**

(21) Appl. No.: **29/246,170**

(22) Filed: **Mar. 6, 2006**

(51) **LOC (8) CL.** **07-02**

(52) **U.S. CL.** **D7/392.1**

(58) **Field of Classification Search** D7/316-319,
D7/391-392.1, 396.2, 510-511, 538, 540-542,
D7/629; D9/435, 440, 444, 447, 449-450,
D9/454, 503-504; 215/211, 200, 224; 220/700,
220/701, 703, 711, 713-715, 719

See application file for complete search history.

(56) **References Cited**

U.S. PATENT DOCUMENTS

D287,208 S *	12/1986	Daenen et al.	D7/392.1
4,809,868 A *	3/1989	Pomroy 220/260	
D326,797 S *	6/1992	Pomroy et al.	D7/538
D339,958 S *	10/1993	Olsen et al.	D7/392.1
D373,704 S *	9/1996	Doxey 220/700	D7/391
D383,939 S *	9/1997	Jeppesen et al.	D7/392.1
D417,584 S *	12/1999	Lillelund et al.	D7/392.1

D463,206 S *	9/2002	Rae 220/700	D7/391
D483,222 S *	12/2003	Willis 220/700	D7/392.1
D505,596 S *	5/2005	Tucker et al.	D7/629

* cited by examiner

Primary Examiner—Holly H. Baynham

Assistant Examiner—Cynthia M. Chin

(74) *Attorney, Agent, or Firm*—Kilpatrick Stockton LLP

(57) **CLAIM**

The ornamental design for an invertible lid, as shown and described.

DESCRIPTION

FIG. 1 shows a perspective view of an invertible lid according to the present invention.

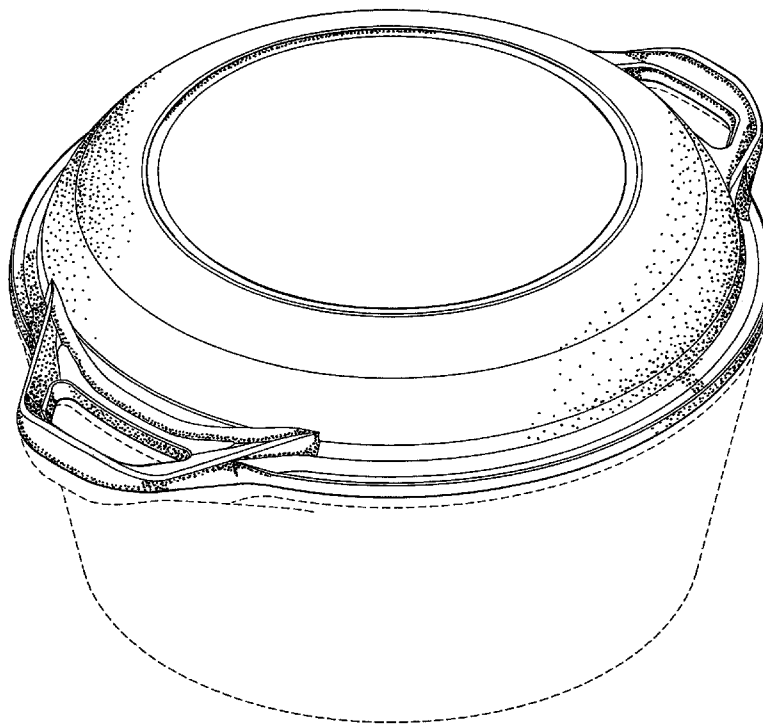
FIG. 2 shows a front elevation view of the invertible lid of FIG. 1, the rear elevation view being a mirror image of the front elevation view.

FIG. 3 shows a right side elevation view of the invertible lid of FIG. 1, the left side elevation view being a mirror image of the right side elevation view.

FIG. 4 shows a top view of the invertible lid of FIG. 1; and, FIG. 5 shows a bottom view of the invertible lid of FIG. 1.

Portions or features of the invertible lid not shown in the drawings form no part of the claimed design. The broken lines shown in the drawings are for illustrative purposes only, and form no part of the claimed design.

1 Claim, 4 Drawing Sheets



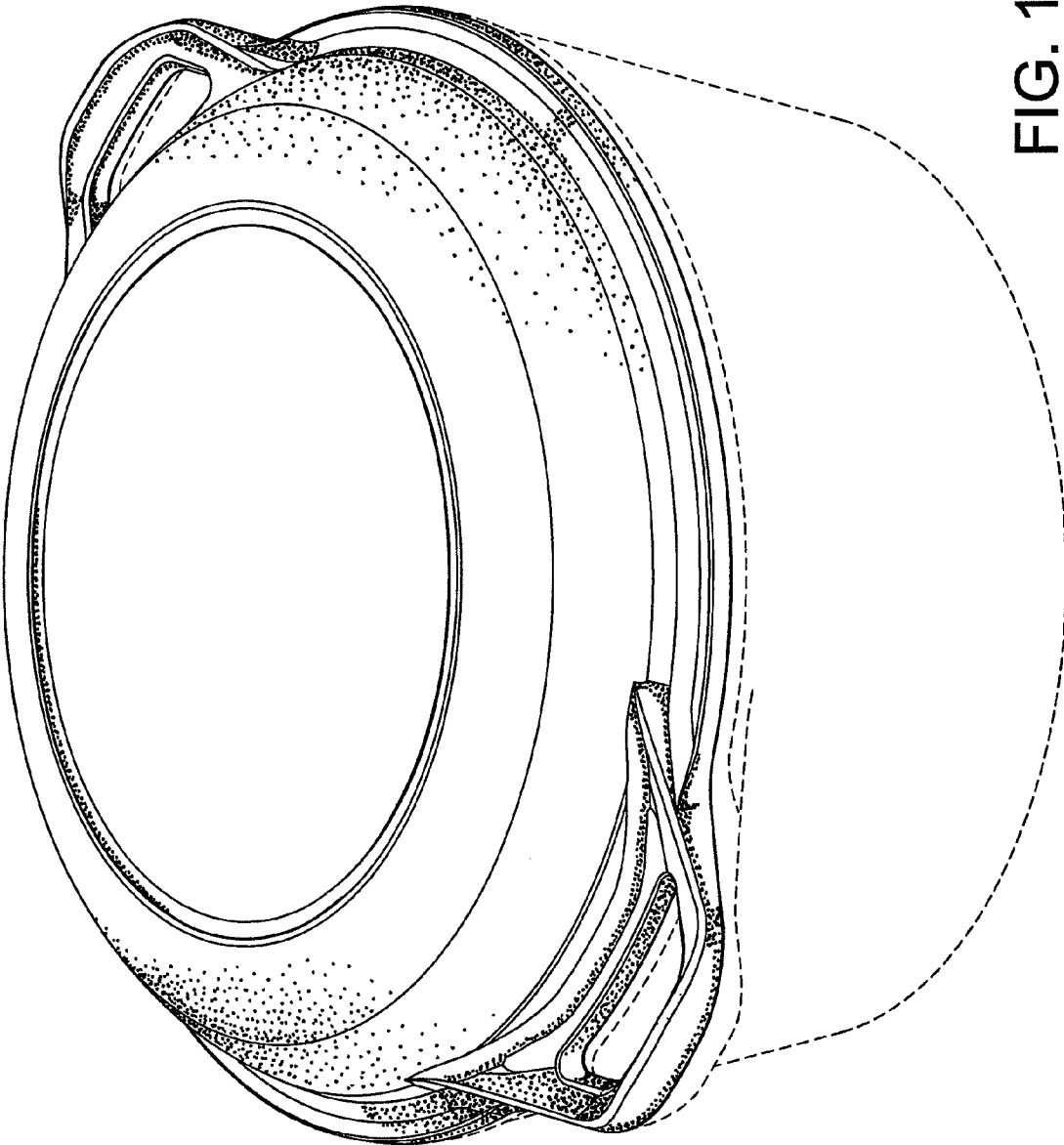


FIG. 1

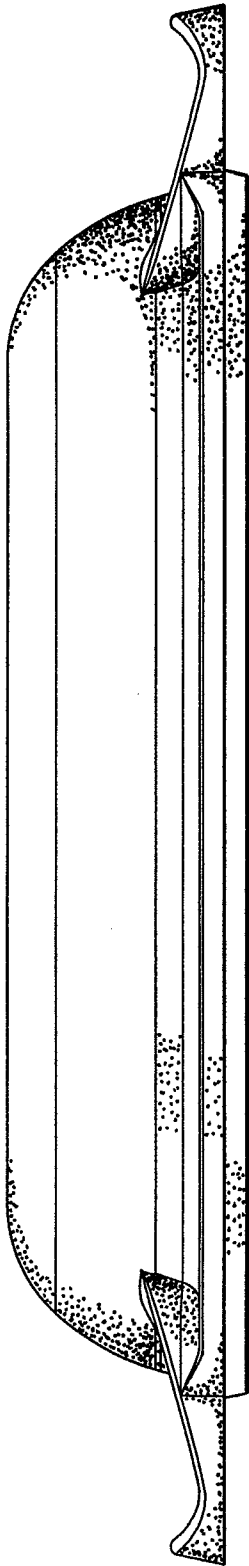


FIG. 2

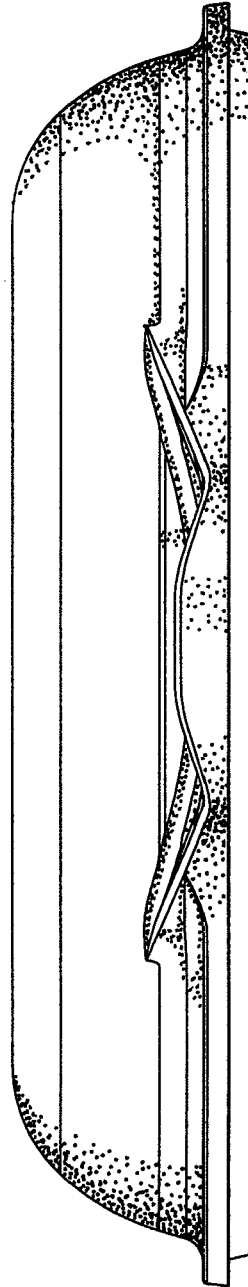


FIG. 3

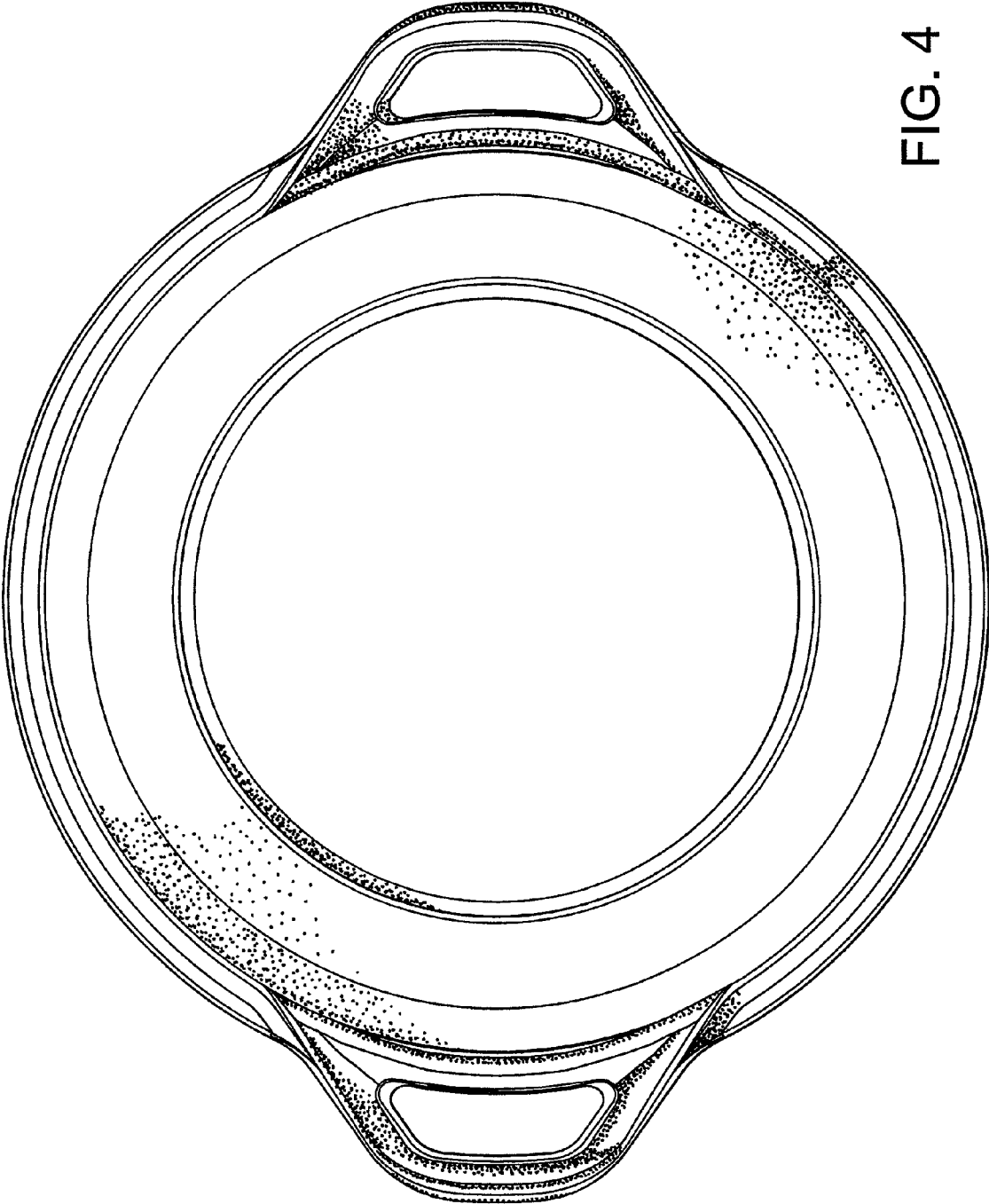


FIG. 4

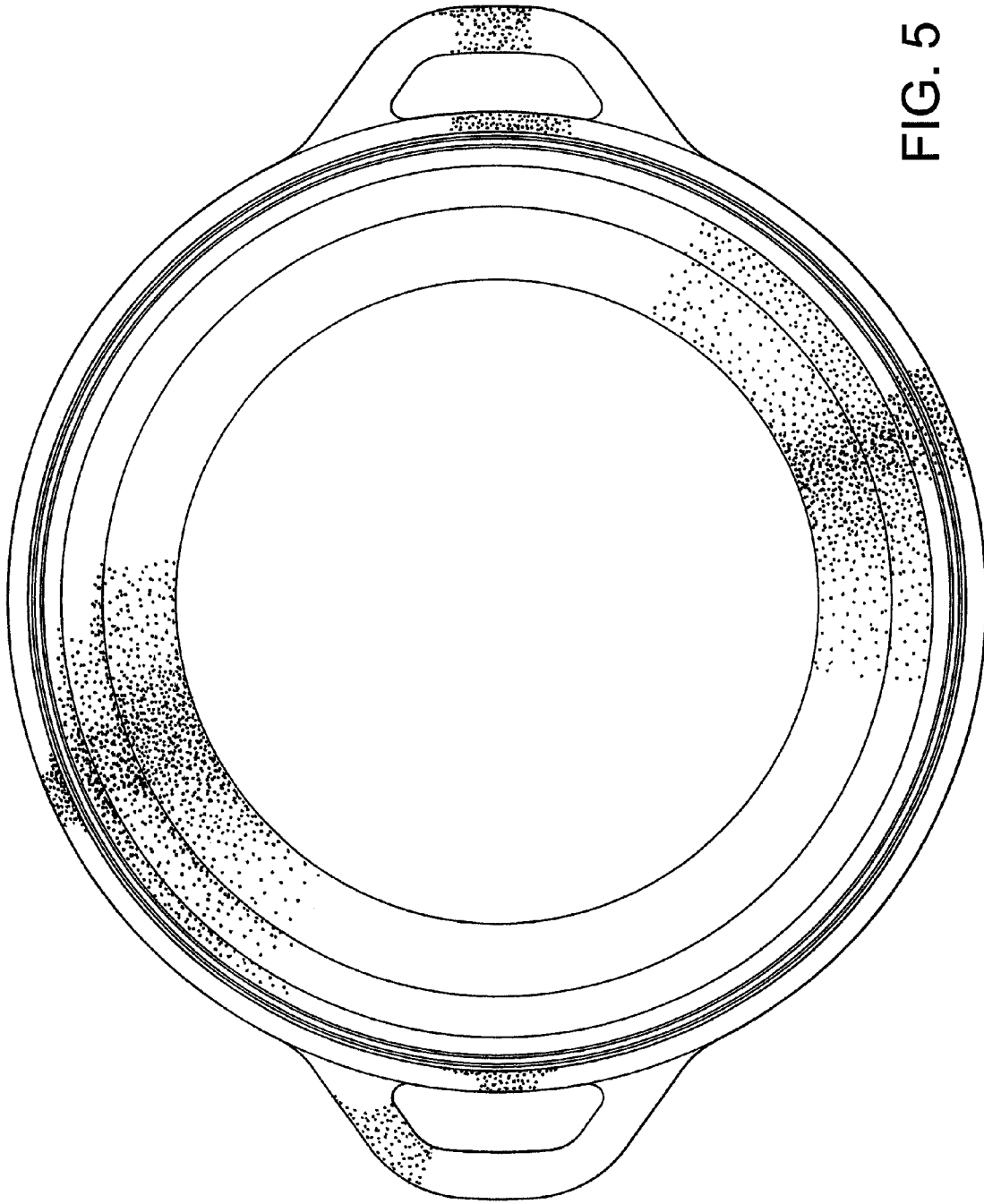


FIG. 5