



US00D728157S

(12) **United States Design Patent**
Sarb

(10) **Patent No.:** **US D728,157 S**

(45) **Date of Patent:** **** Apr. 28, 2015**

(54) **CAPSULE FOR CONTAINING WASHING PRODUCTS**

(71) Applicant: **Reckitt Benckiser (Brands) Limited**,
Slough, Berkshire (GB)

(72) Inventor: **Steven Sarb**, Chester, NJ (US)

(73) Assignee: **Reckitt Benckiser (Brands) Limited**,
Slough, Berkshire (GB)

(**) Term: **14 Years**

(21) Appl. No.: **29/502,648**

(22) Filed: **Sep. 18, 2014**

(30) **Foreign Application Priority Data**

Mar. 25, 2014 (EM) 001407050-0004

(51) **LOC (10) Cl.** **28-02**

(52) **U.S. Cl.**
USPC **D28/8.1; D32/29.1**

(58) **Field of Classification Search**
USPC D32/1, 3, 25, 29.1; 134/93; 222/153.01,
222/153.04; 68/12.18, 212; D23/207-209,
D23/213; D28/8.1-8.2, 4; D9/707, 710,
D9/715, 414, 424-428
See application file for complete search history.

(56) **References Cited**

U.S. PATENT DOCUMENTS

D549,094 S * 8/2007 Oner et al. D9/425
D559,439 S * 1/2008 Schwartz et al. D28/8.1
D565,244 S * 3/2008 Schwartz et al. D28/8.1

D599,056 S * 8/2009 Schwartz et al. D28/8.1
D608,049 S * 1/2010 Schwartz et al. D28/8.1
D643,574 S * 8/2011 Heidel et al. D28/8.1
D648,066 S * 11/2011 Heidel et al. D28/8.1
D656,669 S * 3/2012 Davis et al. D28/8.1
D662,656 S * 6/2012 Nixon D28/8.1
D662,659 S * 6/2012 Nixon D28/8.1
D663,069 S * 7/2012 Nixon D28/8.1
D679,862 S * 4/2013 Sunder D28/8.1
D679,863 S * 4/2013 Sunder D28/8.1
D689,240 S * 9/2013 Sunder D28/8.1
2003/0119707 A1* 6/2003 Kosub et al. 510/446
2006/0122088 A1* 6/2006 Sadlowski et al. 510/295
2009/0018042 A1* 1/2009 Wiedemann 510/224
2010/0105596 A1* 4/2010 Wiedemann et al. 510/220
2012/0108487 A1* 5/2012 Graham et al. 510/221

* cited by examiner

Primary Examiner — T. Chase Nelson

Assistant Examiner — Michelle E Wilson

(74) *Attorney, Agent, or Firm* — Norris McLaughlin & Marcus PA

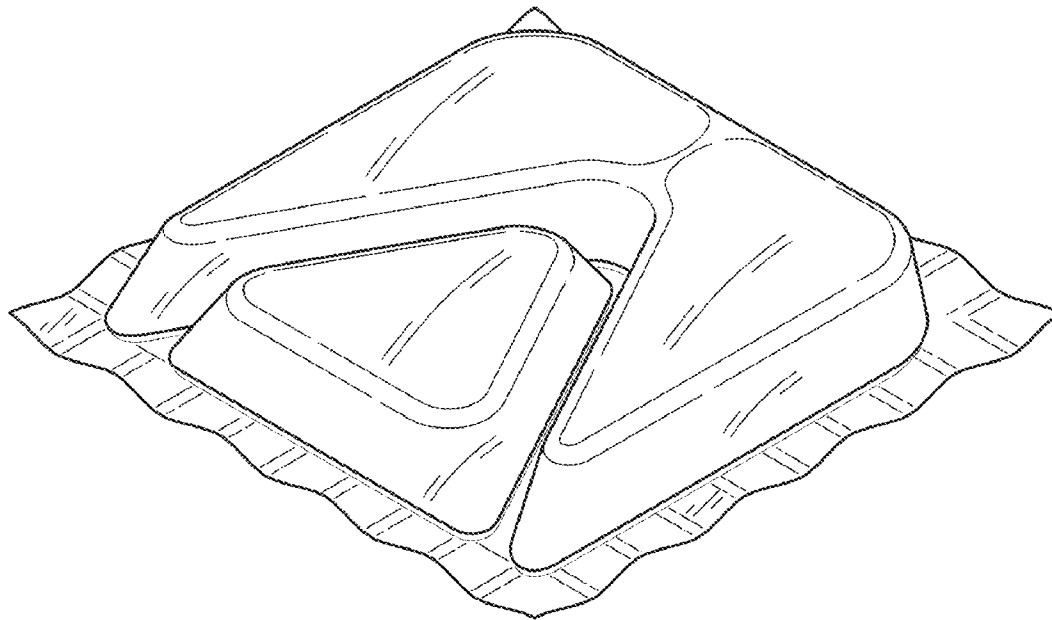
(57) **CLAIM**

The ornamental design for a capsule for containing washing products, as shown and described.

DESCRIPTION

FIG. 1 is a front and side perspective view of our capsule for containing washing products;
FIG. 2 is a front elevational view thereof;
FIG. 3 is a rear elevational view thereof;
FIG. 4 is a right side elevational view thereof;
FIG. 5 is a left side elevational view thereof;
FIG. 6 is a top plan view thereof; and,
FIG. 7 is a bottom plan view thereof.

1 Claim, 3 Drawing Sheets



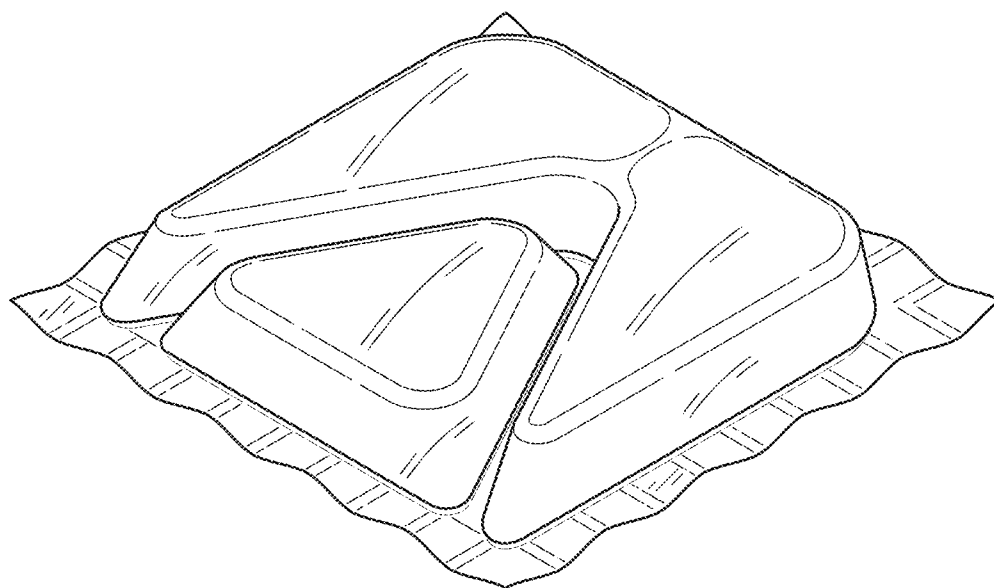


Fig. 1

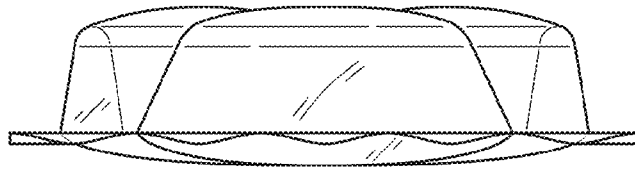


Fig. 2

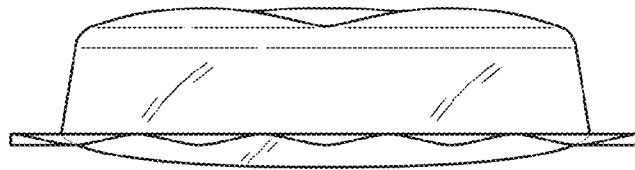


Fig. 3

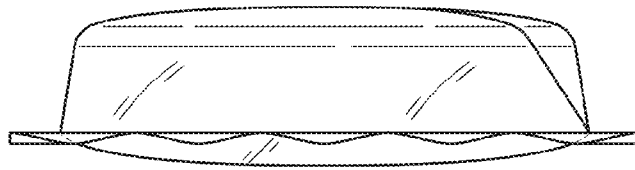


Fig. 4

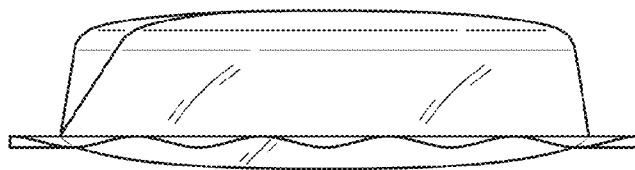


Fig. 5

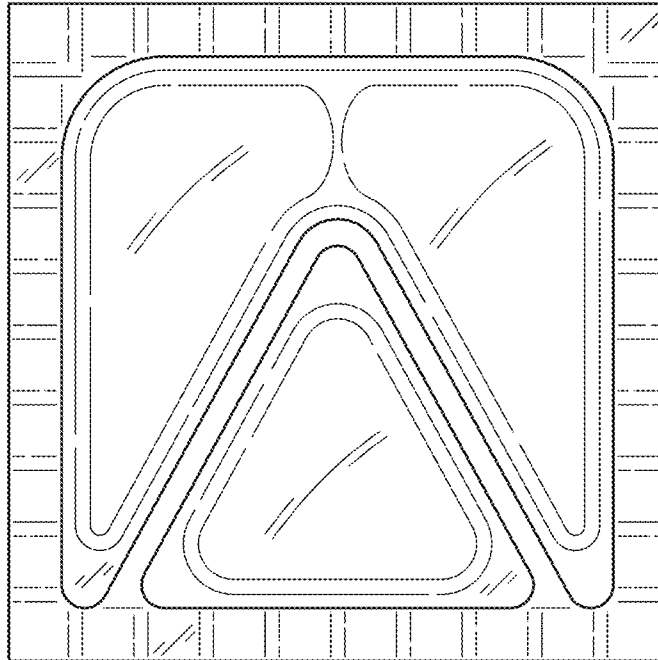


Fig. 6

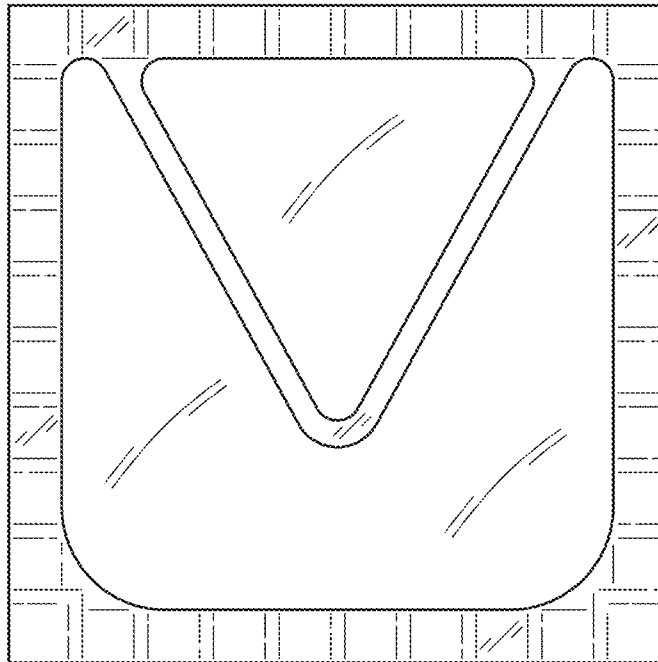


Fig. 7