



US00D368762S

# United States Patent [19]

[11] **Patent Number:** Des. 368,762

**Buergi et al.**

[45] **Date of Patent:** \*\*Apr. 9, 1996

[54] **COMBINATION FLUID MIXER AND FLUSHER FOR SPRAY GUN**

5,332,158 7/1994 Styne ..... 239/310

[75] Inventors: **Christopher A. Buergi; Alan A. Burmester; Vincent F. Genatempo, Jr.**, all of Rice Lake, Wis.

**OTHER PUBLICATIONS**  
Kremlin Inc., Catalog p. 9 gun filter, Mar. 1986.

[73] Assignee: **Mattson Spray Equipment, Inc.**, Rice Lake, Wis.

*Primary Examiner*—A. Hugo Word  
*Assistant Examiner*—Robin V. Taylor  
*Attorney, Agent, or Firm*—Jacobson and Johnson

[\*\*] Term: **14 Years**

[57] **CLAIM**

[21] Appl. No.: **35,466**

The ornamental design for a combination fluid mixer and flusher for spray gun, as shown and described.

[22] Filed: **Feb. 28, 1995**

**DESCRIPTION**

[52] U.S. Cl. .... **D23/213**

FIG. 1 is a perspective view of a combination fluid mixer and flusher for spray gun showing our design;

[58] **Field of Search** ..... D23/213, 223-229; 239/302, 310, 315-317, 373, 106, 115, 394, 414-415, 460; 137/268

FIG. 2 is a top view;

FIG. 3 is a bottom view;

FIG. 4 is a front elevational view thereof;

FIG. 5 is a rear elevational view thereof;

FIG. 6 is a side view taken from the right of FIG. 1; and,

FIG. 7 is a side view taken from the left of FIG. 1.

[56] **References Cited**

**U.S. PATENT DOCUMENTS**

2,571,424 10/1951 Dailey ..... 239/315  
3,150,829 9/1964 Specht et al. .... 239/460

**1 Claim, 2 Drawing Sheets**

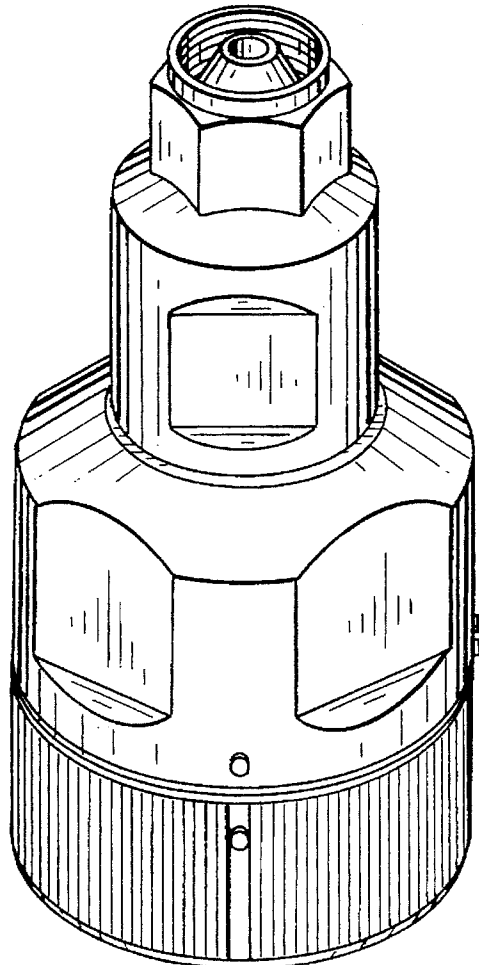


Fig.-1

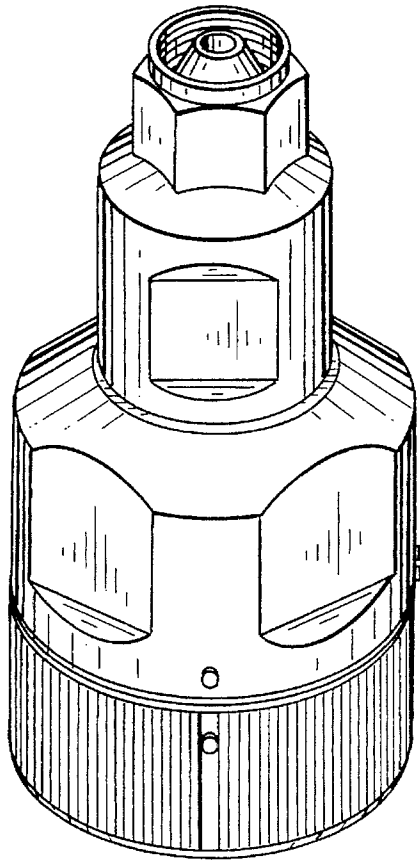


Fig.-2

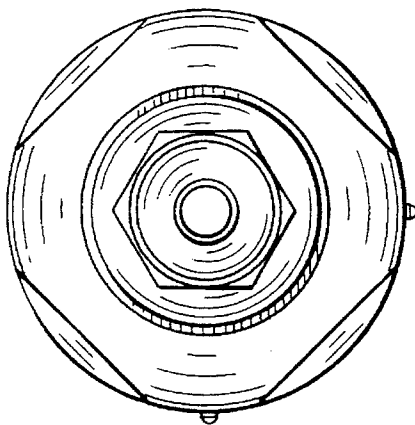


Fig.-3

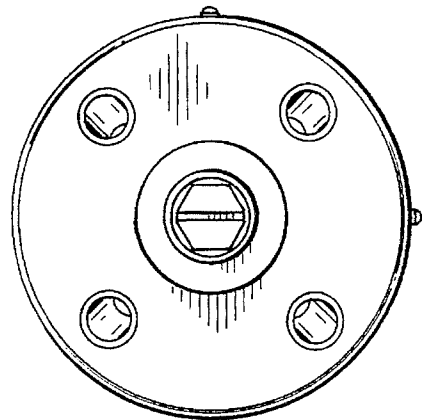


Fig.-4

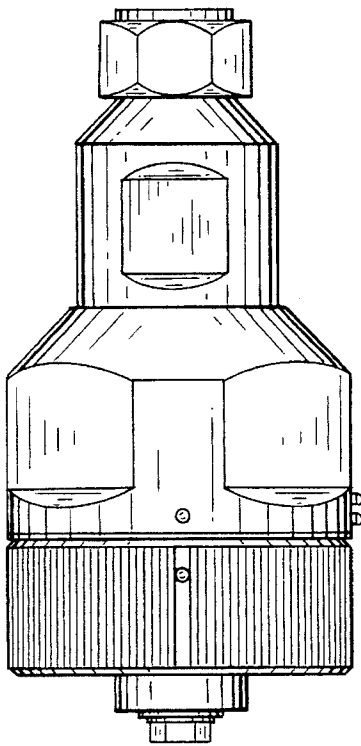


Fig.-5

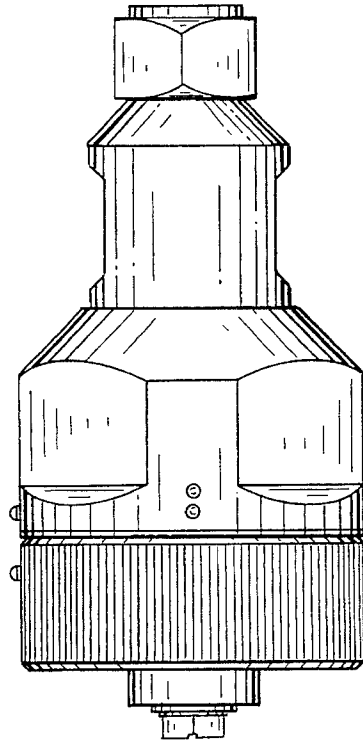


Fig.-6

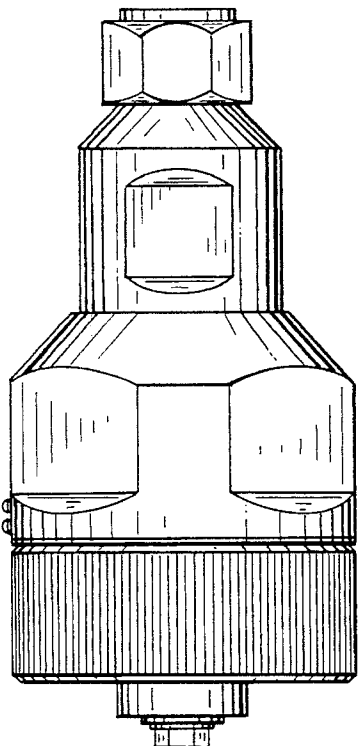


Fig.-7

