

[54] NAILER

[75] Inventors: **Richard Proops**, Wayzata, Minn.;
David Haas, Norwalk; **John Cuccio**,
Westport, both of Conn.

[73] Assignee: **Hilti Aktiengesellschaft**, Schaan,
Liechtenstein

[**] Term: **14 Years**

[21] Appl. No.: **917,001**

[22] Filed: **Jun. 19, 1978**

[51] Int. Cl. **D08-02**

[52] U.S. Cl. **D8/61**

[58] Field of Search **D8/61; 227/120**

[56]

References Cited

U.S. PATENT DOCUMENTS

3,253,760 5/1966 Doyle et al. D8/61
3,797,723 3/1974 Perkins et al. D8/61

OTHER PUBLICATIONS

SN-IV Heavy-Duty Nailer Brochure.

Primary Examiner—W. Stallard

Attorney, Agent, or Firm—Hugh D. Jaeger

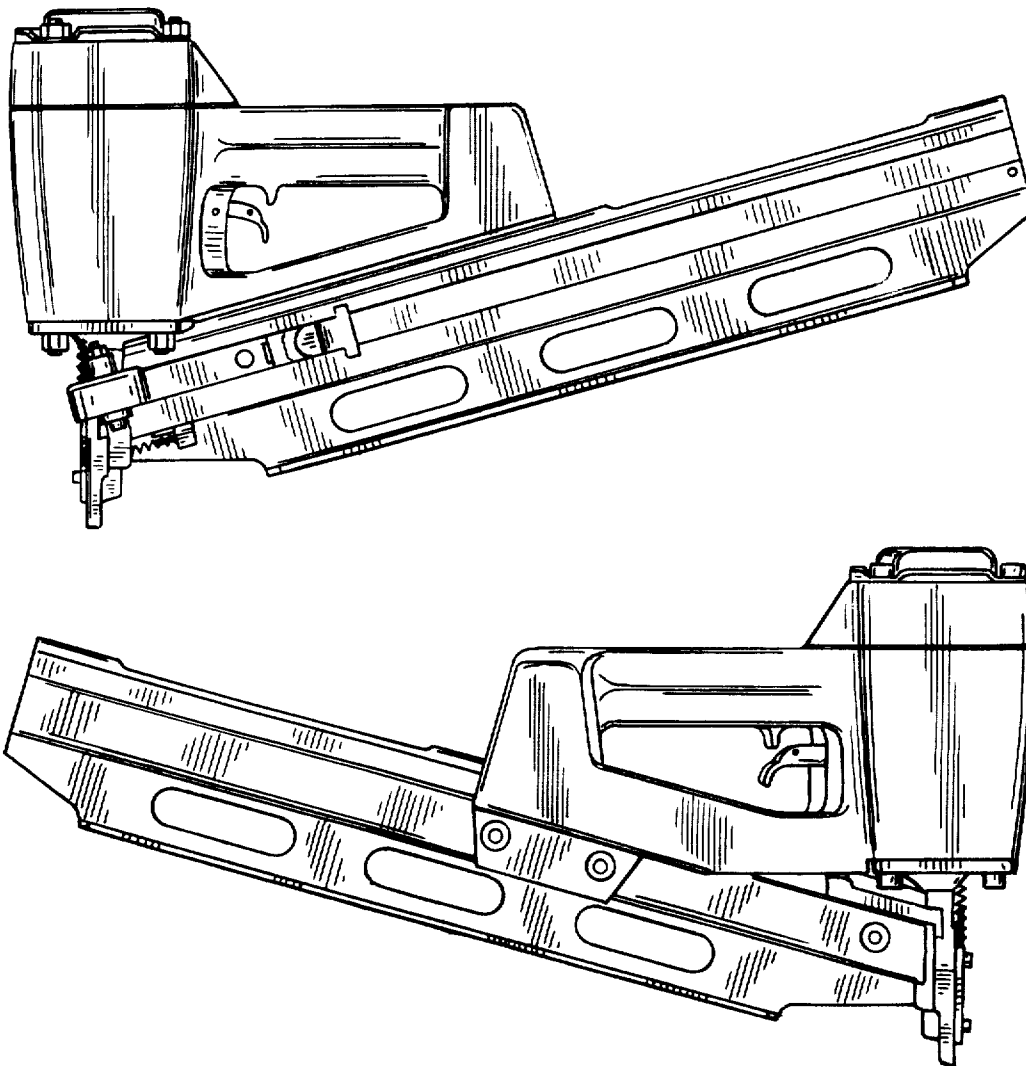
[57]

CLAIM

The ornamental design for a nailer, as shown.

DESCRIPTION

FIG. 1 is a top view of a nailer showing my new design;
FIG. 2 is a left side view thereof;
FIG. 3 is a bottom view thereof;
FIG. 4 is a right side view thereof;
FIG. 5 is a front view thereof, and;
FIG. 6 is a rear view thereof.



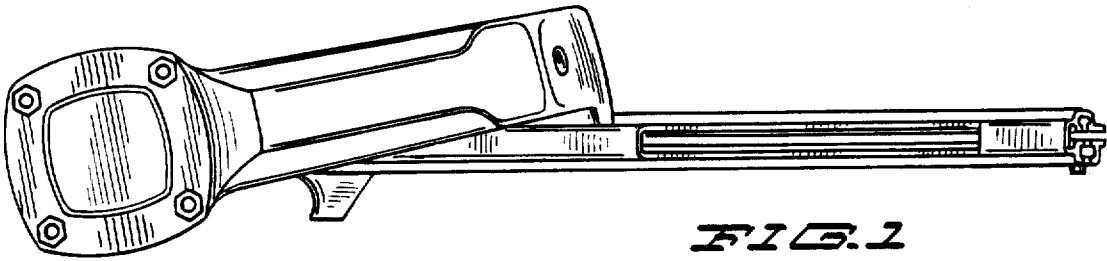


FIG. 1

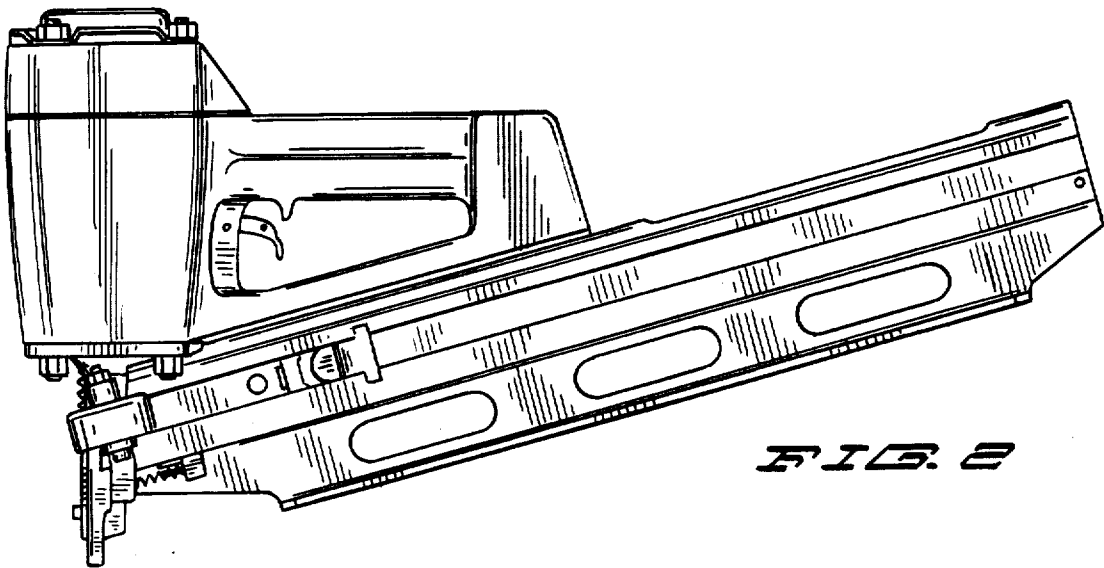


FIG. 2

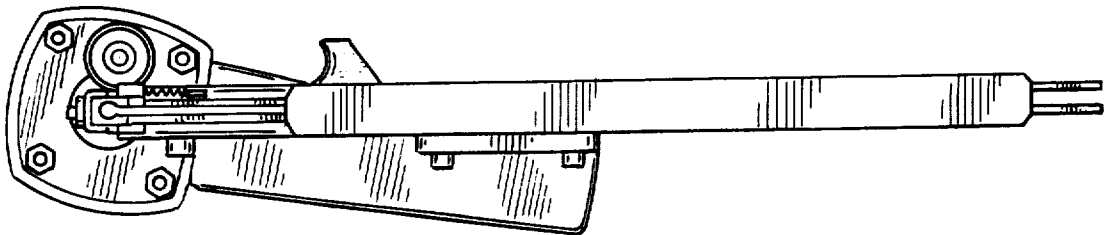


FIG. 3

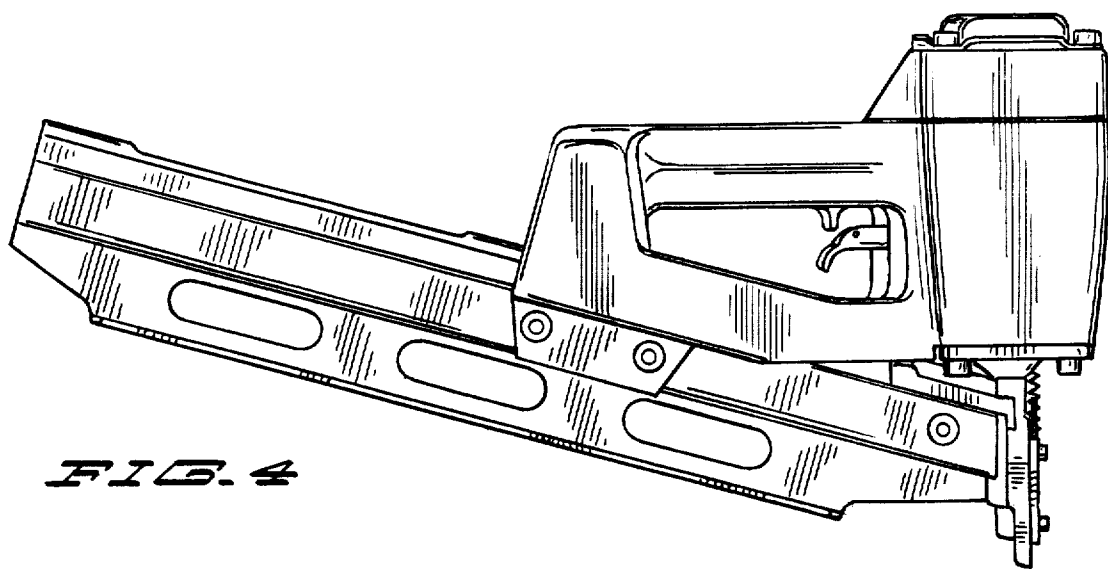


FIG. 4

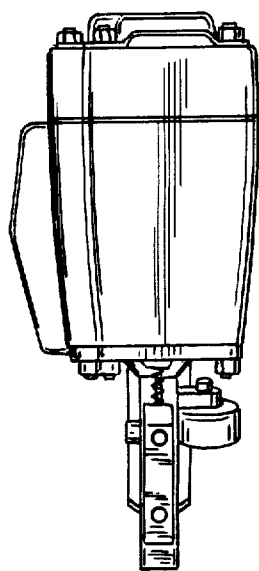


FIG. 5

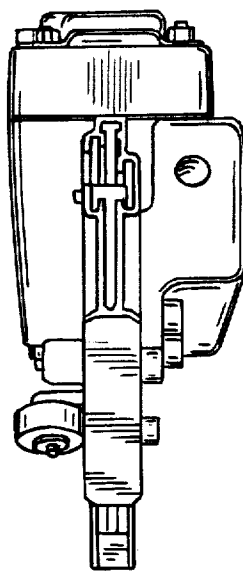


FIG. 6