



US00RE47379E

(19) **United States**
(12) **Reissued Patent**
Root et al.

(10) **Patent Number:** **US RE47,379 E**
(45) **Date of Reissued Patent:** ***May 7, 2019**

(54) **COAXIAL GUIDE CATHETER FOR INTERVENTIONAL CARDIOLOGY PROCEDURES**

(58) **Field of Classification Search**
CPC A61M 25/01; A61M 25/0102; A61M 25/0067-25/0069; A61M 2025/0681;
(Continued)

(71) Applicant: **Teleflex Innovations S.à.R.L.**, Grand Duchy (LU)

(56) **References Cited**

(72) Inventors: **Howard C. Root**, Tonka Bay, MN (US); **Gregg Sutton**, Plymouth, MN (US); **Jeffrey M. Welch**, Maple Grove, MN (US); **Jason M. Garrity**, Lima, NY (US)

U.S. PATENT DOCUMENTS

4,289,128 A 9/1981 Rüsich
4,723,936 A 2/1988 Buchbinder et al.
(Continued)

(73) Assignee: **TELEFLEX INNOVATIONS S.A.R.L.**, Luxembourg (LU)

FOREIGN PATENT DOCUMENTS

EP 0313558 1/1988
EP 0365993 5/1990
(Continued)

(*) Notice: This patent is subject to a terminal disclaimer.

OTHER PUBLICATIONS

(21) Appl. No.: **14/984,273**

QXMedical, LLC v. Vascular Solutions, Inc., Complaint—Jury Trial Demanded, dated Jun. 8, 2017, 6 pages.

(22) Filed: **Dec. 30, 2015**

(Continued)

Related U.S. Patent Documents

Reissue of:

(64) Patent No.: **8,292,850**
Issued: **Oct. 23, 2012**
Appl. No.: **13/359,059**
Filed: **Jan. 26, 2012**

Primary Examiner — Catherine S Williams
(74) *Attorney, Agent, or Firm* — Patterson Thuente Pedersen, P.A.

U.S. Applications:

(60) Continuation of application No. 14/195,435, filed on Mar. 3, 2014, now Pat. No. Re. 46,116, which is a
(Continued)

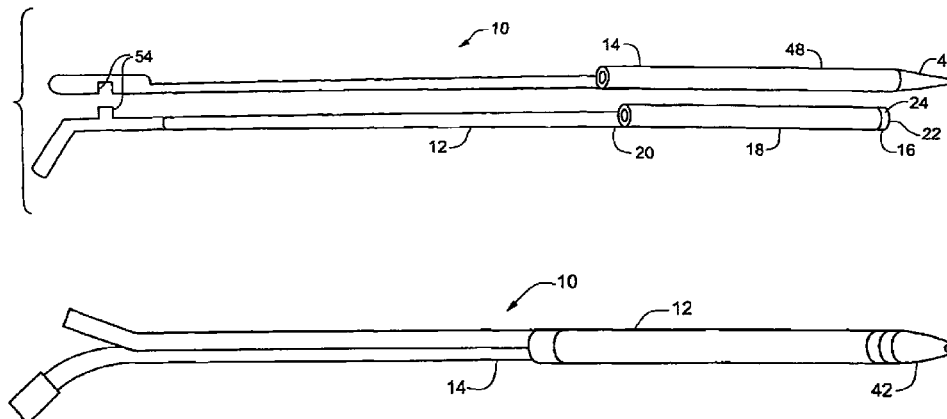
(57) **ABSTRACT**

A coaxial guide catheter to be passed through guide catheter having a first lumen, for use with interventional cardiology devices that are insertable into a branch artery that branches off from a main artery. The coaxial guide catheter is extended through the lumen of the guide catheter and beyond the distal end of the guide catheter and inserted into the branch artery. The device assists in resisting axial and shear forces exerted by an interventional cardiology device passed through the second lumen and beyond the flexible distal tip portion that would otherwise tend to dislodge the guide catheter from the branch artery.

(51) **Int. Cl.**
A61M 5/178 (2006.01)
A61M 25/00 (2006.01)
(Continued)

(52) **U.S. Cl.**
CPC **A61M 25/01** (2013.01); **A61M 25/0026** (2013.01); **A61M 25/0052** (2013.01);
(Continued)

21 Claims, 13 Drawing Sheets



Related U.S. Application Data

continuation of application No. 14/070,161, filed on Nov. 1, 2013, now Pat. No. Re. 45,380, said application No. 14/070,161 is a division of application No. 12/824,734, filed on Jun. 28, 2010, now Pat. No. 8,142,413, which is a division of application No. 11/416,629, filed on May 3, 2006, now Pat. No. 8,048,032, which is an application for the reissue of Pat. No. 8,292,850.

(51) **Int. Cl.**

A61M 25/01 (2006.01)
A61M 25/06 (2006.01)

(52) **U.S. Cl.**

CPC *A61M 25/0069* (2013.01); *A61M 25/0662* (2013.01); *A61M 25/008* (2013.01); *A61M 25/0051* (2013.01); *A61M 25/0068* (2013.01); *A61M 2025/0081* (2013.01)

(58) **Field of Classification Search**

CPC *A61M 25/005*; *A61M 25/0051*; *A61M 25/0052*; *A61M 25/0053–25/0054*; *A61M 25/0141*; *A61M 25/007*; *A61M 2025/008*; *A61M 2025/0081*

See application file for complete search history.

(56)

References Cited

U.S. PATENT DOCUMENTS

4,762,129 A 8/1988 Bonzel
4,813,930 A 3/1989 Elliott
4,832,028 A 5/1989 Patel
4,838,268 A 6/1989 Keith et al.
4,909,252 A 3/1990 Goldberger
4,932,413 A 6/1990 Shockey et al.
4,943,278 A 7/1990 Euteneuer et al.
4,946,440 A 8/1990 Hall
4,994,745 A 2/1991 Mizuta
5,002,531 A 3/1991 Bonzel
5,040,548 A 8/1991 Yock
5,040,848 A 8/1991 Irie et al.
5,098,412 A 3/1992 Shiu
5,102,403 A 4/1992 Alt
5,120,323 A 6/1992 Shockey et al.
5,122,125 A 6/1992 Deuss
5,232,445 A 8/1993 Bonzel
5,234,416 A 8/1993 Macaulay et al.
5,257,974 A 11/1993 Cox
5,290,247 A 3/1994 Crittenden
5,328,472 A 7/1994 Steinke et al.
5,368,567 A 11/1994 Lee
5,413,560 A 5/1995 Solar
5,415,639 A 5/1995 VanderEinde et al.
5,439,445 A 8/1995 Kontos
5,441,489 A 8/1995 Utsumi et al.
5,445,624 A 8/1995 Jimenez
5,472,425 A 12/1995 Teirstein
5,527,292 A * 6/1996 Adams A61M 25/0102
600/585
5,549,553 A 8/1996 Ressemann et al.
5,562,620 A * 10/1996 Klein A61M 25/104
604/101.05
5,567,203 A 10/1996 Euteneuer et al.
5,571,087 A 11/1996 Ressemann et al.
5,578,009 A * 11/1996 Kraus A61M 25/0102
604/523
5,599,326 A 2/1997 Carter
5,658,263 A 8/1997 Dang et al.
5,690,613 A 11/1997 Verbeek
5,720,724 A 2/1998 Ressemann et al.
5,776,141 A 7/1998 Klein et al.
5,792,124 A 8/1998 Horrigan et al.
5,843,022 A 12/1998 Willard et al.

5,911,715 A 6/1999 Berg et al.
5,980,486 A 11/1999 Enger
6,071,273 A 6/2000 Euteneuer et al.
6,159,195 A 12/2000 Ha et al.
6,193,686 B1 2/2001 Estrada et al.
6,270,465 B1 8/2001 Keith et al.
6,299,628 B1 10/2001 Harrison et al.
6,338,725 B1 1/2002 Hermann et al.
6,409,863 B1 6/2002 Williams et al.
6,443,912 B1 9/2002 Mazzola et al.
6,475,195 B1 11/2002 Voda
6,488,655 B1 12/2002 Wantink et al.
6,503,223 B1 1/2003 Sekido et al.
6,503,353 B1 1/2003 Peterson et al.
6,548,010 B1 4/2003 Stivland et al.
6,575,958 B1 6/2003 Happ et al.
6,591,472 B1 7/2003 Noone et al.
6,595,952 B2 7/2003 Forsberg
6,610,068 B1 8/2003 Yang
6,635,029 B1 10/2003 Venturelli
6,638,268 B2 10/2003 Niazi
6,689,144 B2 2/2004 Gerberding
6,706,018 B2 3/2004 Westlund et al.
6,733,487 B2 5/2004 Keith et al.
6,755,812 B2 6/2004 Peterson et al.
6,860,876 B2 3/2005 Chen
7,232,452 B2 6/2007 Adams et al.
7,294,124 B2 11/2007 Eidenschink
7,544,201 B2 6/2009 Pepper
7,697,996 B2 4/2010 Manning et al.
7,717,899 B2 5/2010 Bowe et al.
7,762,984 B2 7/2010 Kumoyama et al.
7,763,012 B2 7/2010 Petrick et al.
7,959,603 B2 6/2011 Wahr et al.
8,048,032 B2 11/2011 Root et al.
8,142,413 B2 3/2012 Root et al.
8,292,850 B2 10/2012 Root et al.
RE45,380 E 2/2015 Root et al.
RE45,760 E 10/2015 Root et al.
RE45,776 E 10/2015 Root et al.
RE46,116 E 8/2016 Root et al.
2003/0195546 A1 10/2003 Solar et al. A61M 25/01
606/192
2004/0010280 A1 1/2004 Adams et al.
2004/0127927 A1 7/2004 Adams
2005/0004523 A1 1/2005 Osborne et al.
2005/0182437 A1 8/2005 Bonnette et al.
2007/0260219 A1 11/2007 Root et al.
2008/0243171 A1 10/2008 Ressemann et al.
2009/0005755 A1 1/2009 Keith et al.

FOREIGN PATENT DOCUMENTS

EP 0380873 8/1990
WO WO 84/03633 9/1984

OTHER PUBLICATIONS

QXMédical, LLC v. Vascular Solutions, Inc., QXMédical, LLC Answer to Counterclaim, dated Aug. 11, 2017, 11 pages.
QXMédical, LLC v. Vascular Solutions, Inc., First Amended Complaint—Jury Trial Demanded, dated Jun. 27, 2017, 263 pages.
QXMédical, LLC v. Vascular Solutions, Inc., Defendant’s Answer to Plaintiff’s First Amended Complaint and Defendant’s Counterclaims, dated Jul. 21, 2017, 19 pages.
QXMédical, LLC v. Vascular Solutions, Inc., QXMédical, LLC Prior Art Statement, dated Oct. 30, 2017, 355 pages.
QXMédical, LLC v. Vascular Solutions, Inc., Defendant Vascular Solutions, Inc.’s Infringement Disclosure and Claim Chart, dated Sep. 1, 2017, 220 pages.
QXMédical, LLC v. Vascular Solutions, Inc., QXMédical, LLC Non-Infringement Chart, dated Oct. 30, 2017, 137 pages.
QXMédical, LLC v. Vascular Solutions, Inc., Defendant Vascular Solutions, Inc.’s Responsive Prior Art Statement, dated Dec. 8, 2017, 315 pages.

(56)

References Cited

OTHER PUBLICATIONS

Letter to Merrill from Vitt, QXMédical, LLC Boosting Catheter, dated May 30, 2017, 108 pages.

Alegria, Jorge R. and Holmes, David R., Jr., Topol, "Textbook of Interventional Cardiology," Saunders Elsevier, 5th Edition, 2008, 2 pages.

Iqbal et al., "Coronary Stents: Historical Development Current Status and Future Directions," British Medical Bulletin, 2013; 106, pp. 194-211.

Tully, "Blood Feud This Little Piece of Metal is Worth \$4.5 Billion This Year, Generates More Profits Than a Blockbuster Drug, and has Sparked One of the Weirdest Corporate Battles Ever. It could Also Save Your Life," CNN Money.com, 2004, 5 pages.

Bertrand, "The Evolution of Cardiac Catheterization and Interventional Cardiology," European Society of Cardiology, 2006, 10 pages.

Bonzel et al., "The Sliding Rail System (Monorail): Description of a New Technique for Intravascular Instrumentation and its Application to Coronary Angioplasty," Z. Kardiol. 76, Supplement 6 (1987), 5 pages.

Takahashi, "New Method to Increase a Backup Support of a 6 French Guiding Coronary Catheter," Catheter Cardiovasc Intery 2004; 63: 452-456, 5 pages.

Application and File History for U.S. Appl. No. 13/359,059, filed Jan. 26, 2012, now Reissue U.S. Pat. No. 8,292,850. Inventors Root et al.

Application and File History for Reissue U.S. Appl. No. 14/070,161, filed Nov. 1, 2013, now Reissue U.S. Pat. No. Re. 45,380. Inventors Root et al.

Application and File History for Reissue U.S. Appl. No. 14/195,385, filed Mar. 3, 2014, now Reissue U.S. Pat. No. Re. 45,760. Inventors Root et al.

Application and File History for Reissue U.S. Appl. No. 14/195,413, filed Mar. 3, 2014, now Reissue U.S. Pat. No. Re. 45,776. Inventors Root et al.

Application and File History for Reissue U.S. Appl. No. 14/195,435, filed Mar. 3, 2014, now Reissue U.S. Pat. No. Re. 46,116. Inventors Root et al.

U.S. District Court, *QXMedical, LLC v. Vascular Solutions, LLC et al.*, "Expert Report of Brian Brown re Invalidity," dated Jan. 4, 2019, 251 pages.

U.S. District Court, *QXMedical, LLC v. Vascular Solutions, LLC et al.*, "Expert Report of Peter T. Keith re on Infringement, Claim Coverage, and Lack of Acceptable Noninfringing Alternatives," dated Jan. 2, 2019, 83 pages.

Saeko Takahashi et al.; New Method to Increase a Backup Support of a 6 French Guiding Coronary Catheter; Catheterization and Cardiovascular Interventions 63:452-456 (2004), 5 pages; Published online in Wiley InterScience (www.interscience.wiley.com). U.S. Appl. No. 11/416,629, filed Jun. 28, 2010; Howard Root et al.

U.S. Appl. No. 12/824,734, filed Jun. 28, 2010, Howard Root et al.

* cited by examiner

Fig. 1

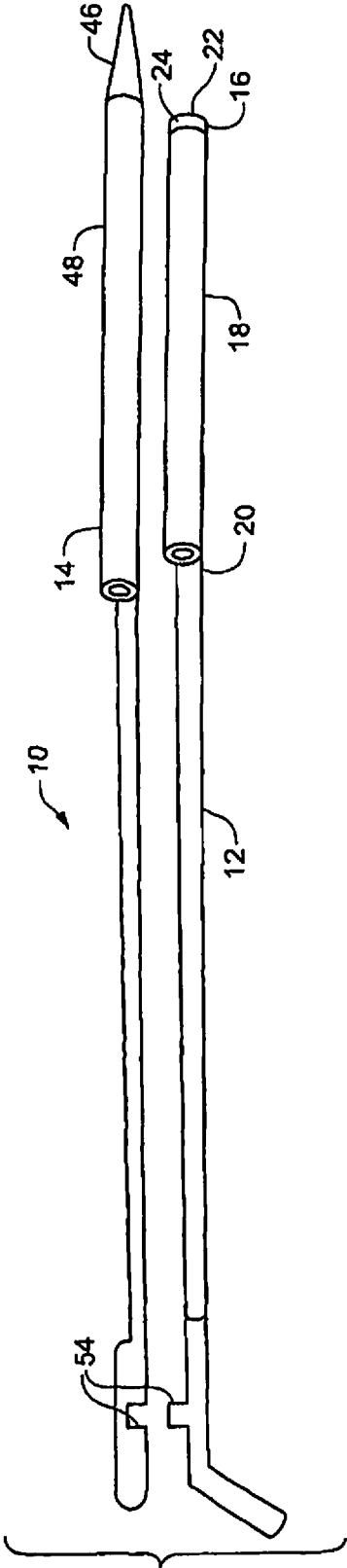


Fig. 2

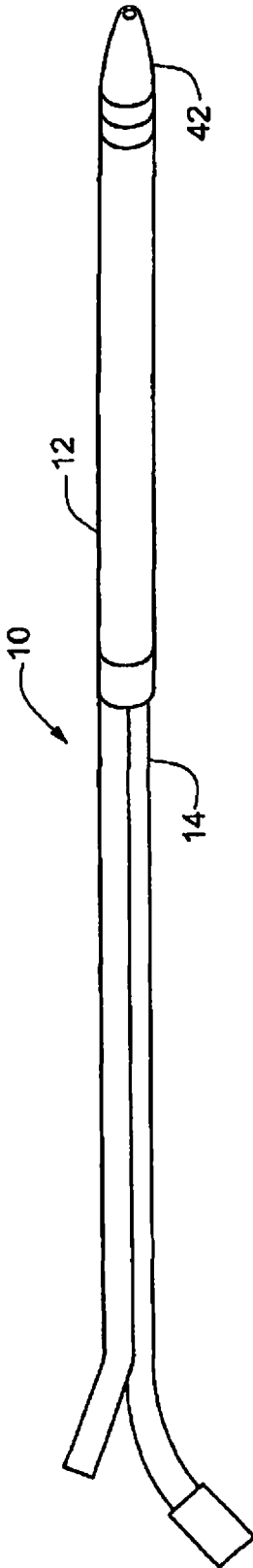


Fig. 3

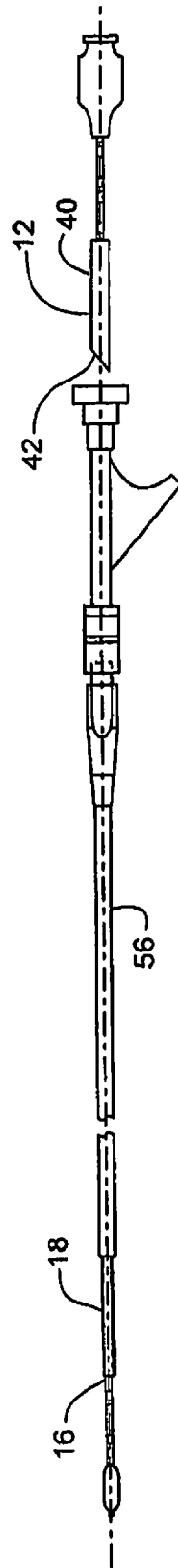


Fig. 4

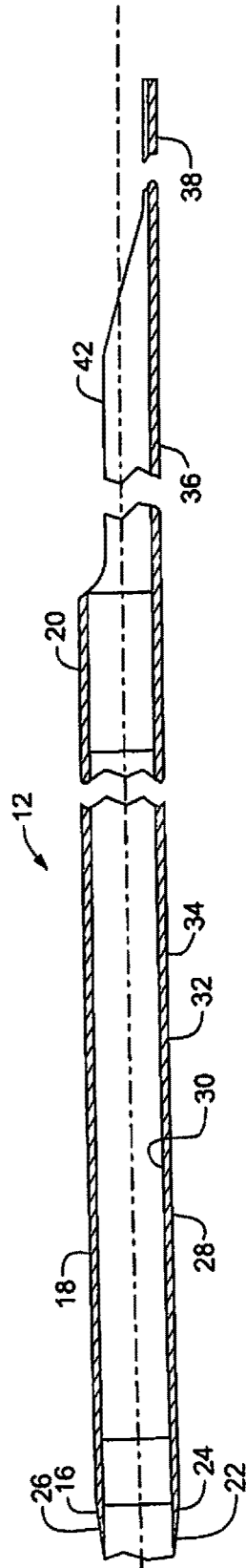


Fig. 5

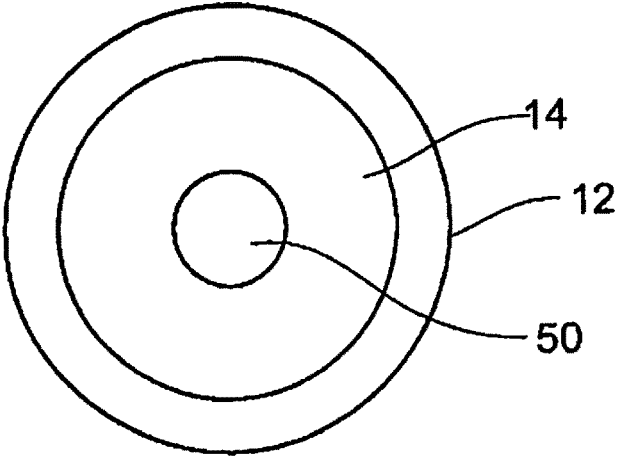


Fig. 6

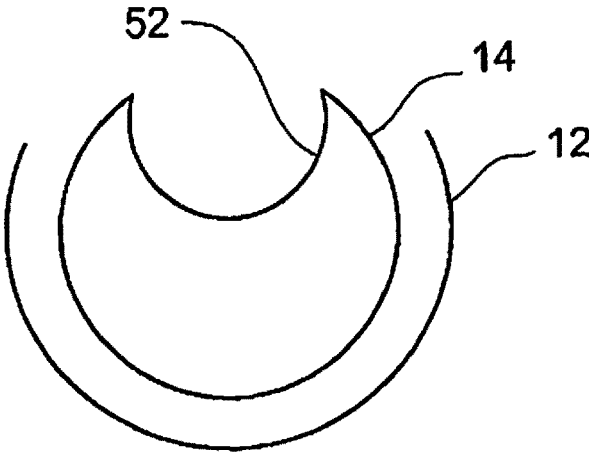


Fig. 7

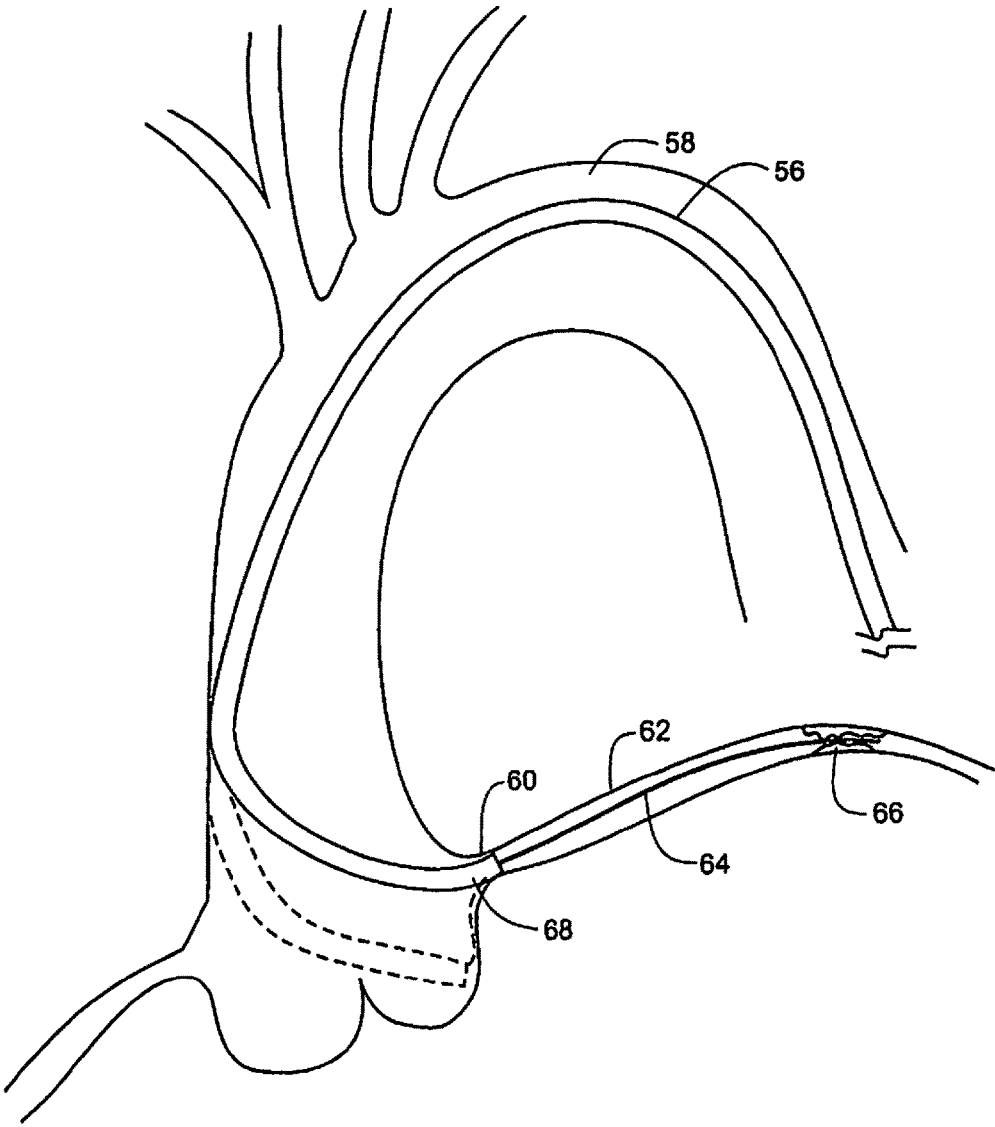


Fig. 8

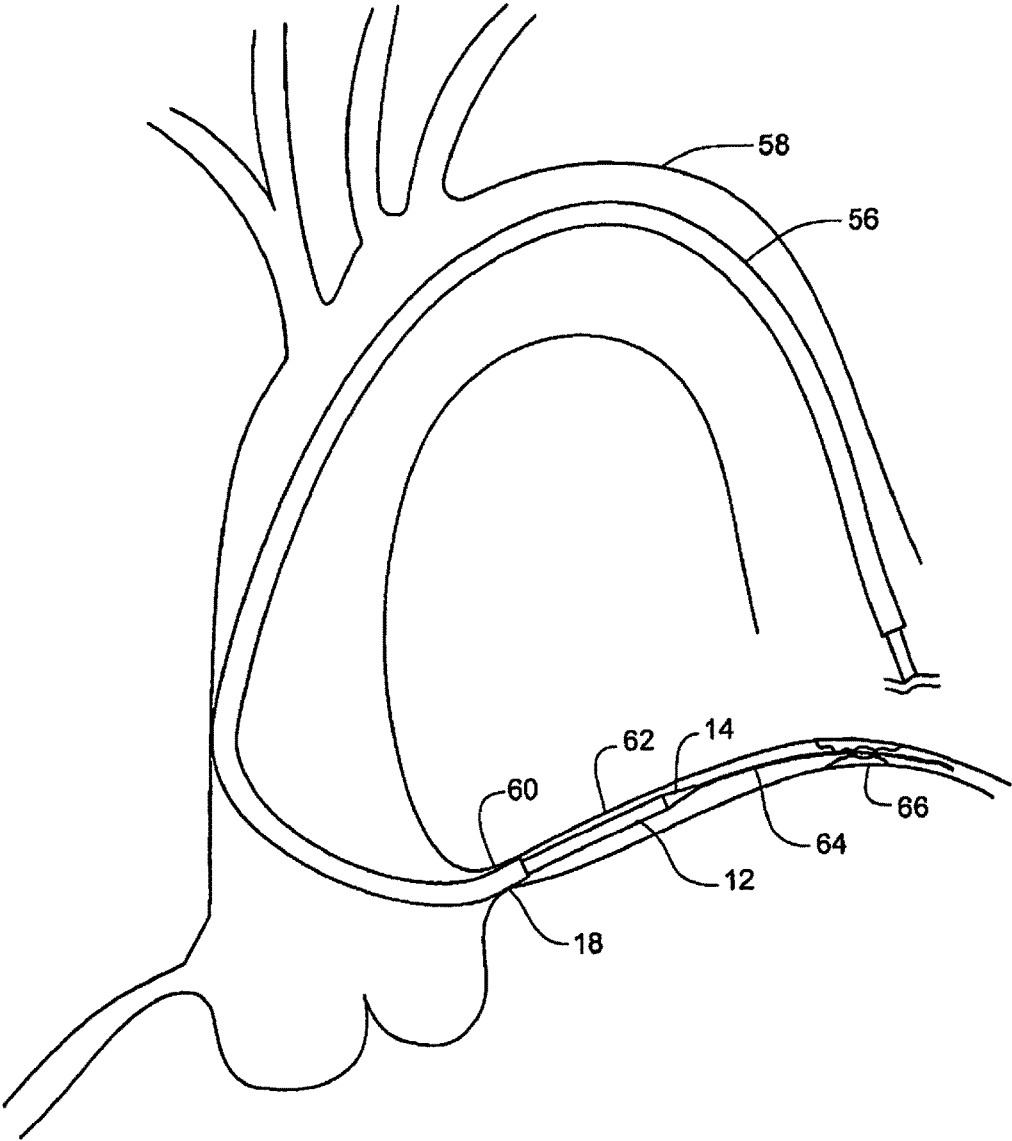
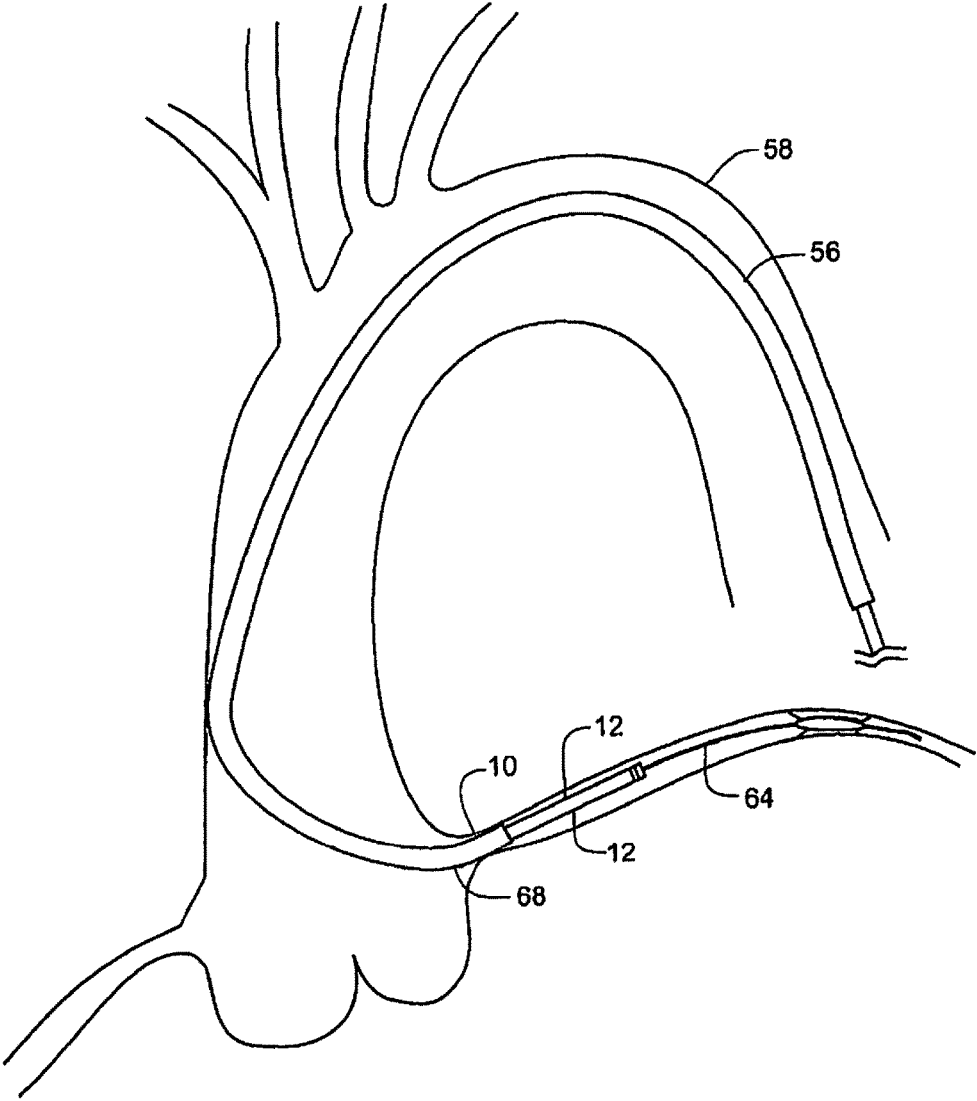


Fig. 9



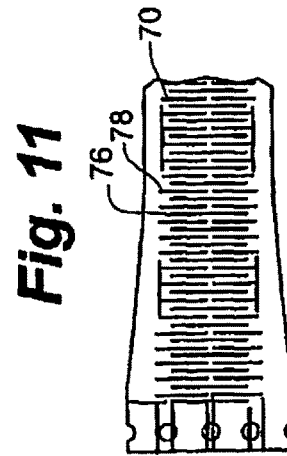
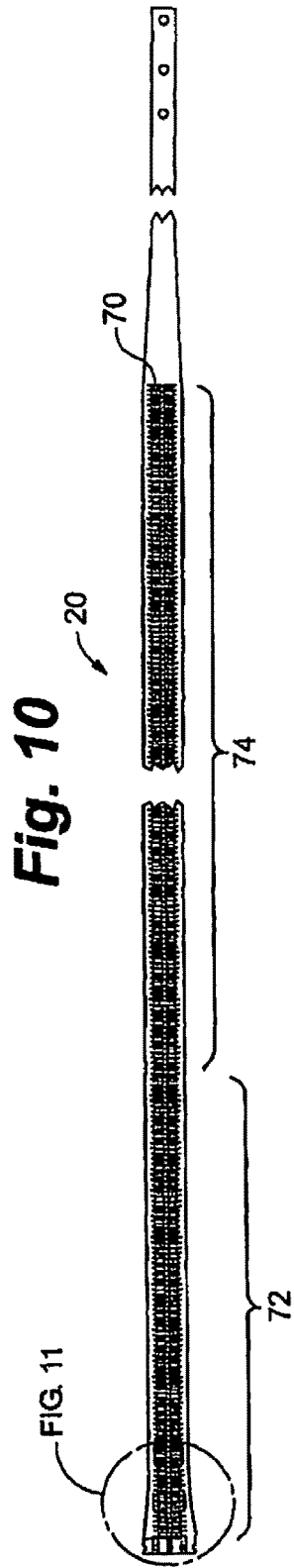


Fig. 12

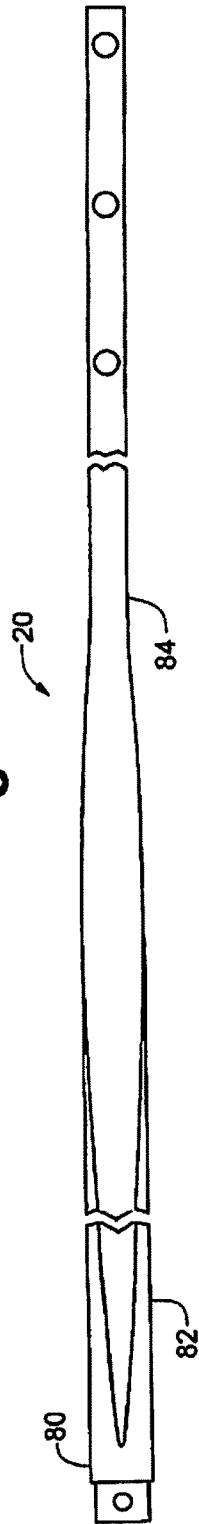


Fig. 13



Fig. 14



Fig. 15



Fig. 16



Fig. 17

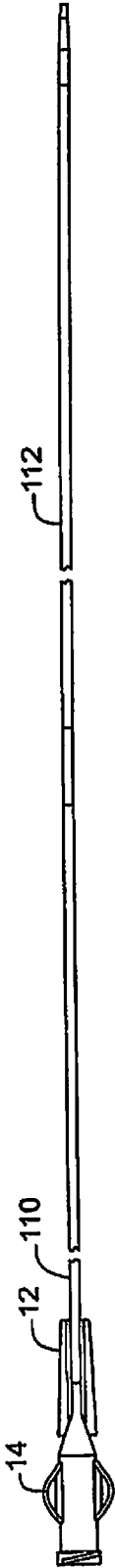


Fig. 18

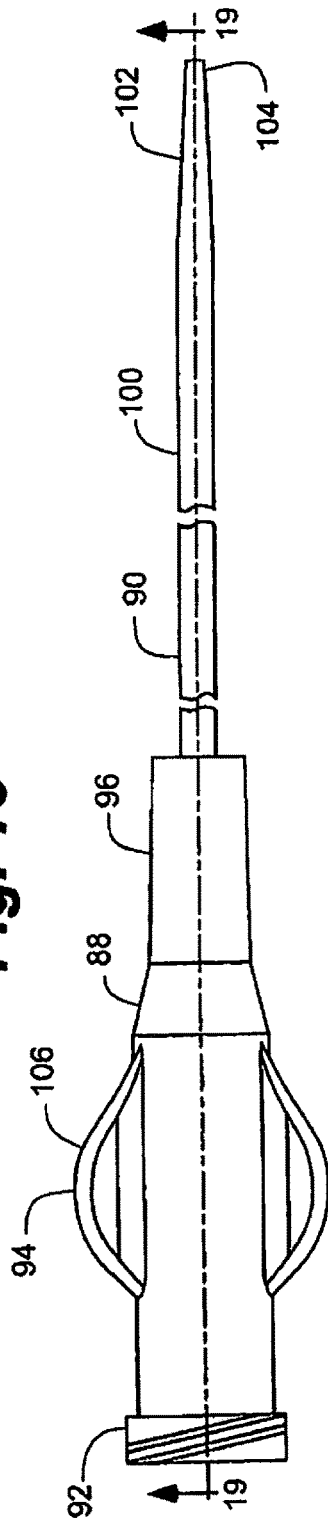
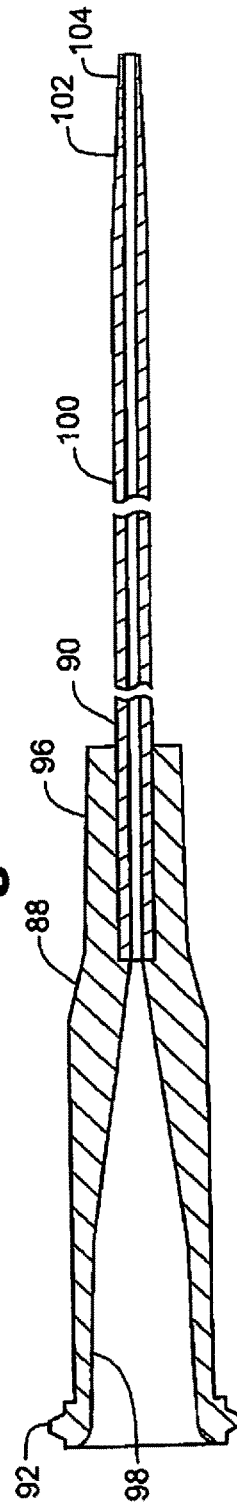
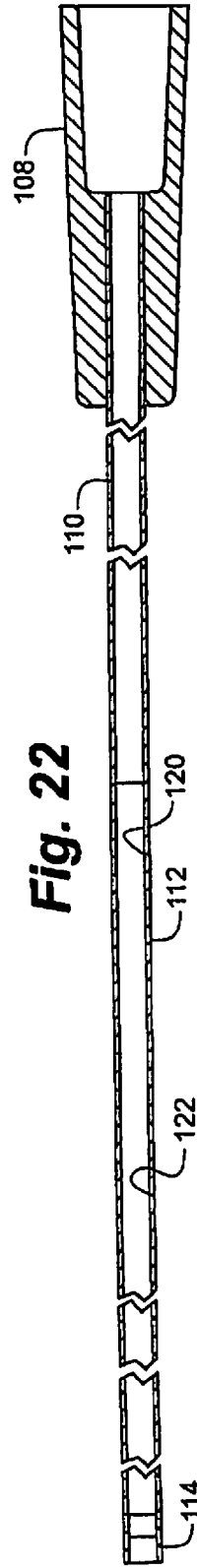
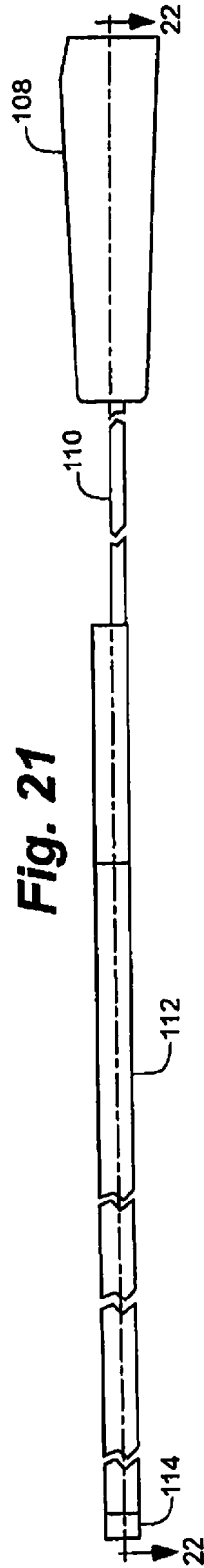
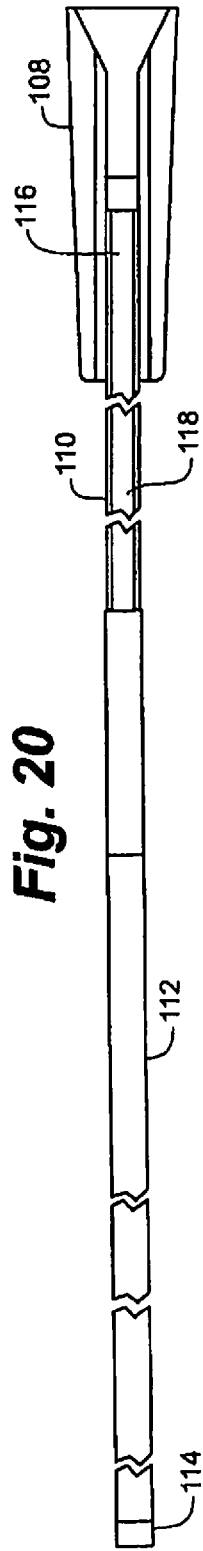


Fig. 19





COAXIAL GUIDE CATHETER FOR INTERVENTIONAL CARDIOLOGY PROCEDURES

Matter enclosed in heavy brackets [] appears in the original patent but forms no part of this reissue specification; matter printed in italics indicates the additions made by reissue; a claim printed with strikethrough indicates that the claim was canceled, disclaimed, or held invalid by a prior post-patent action or proceeding.

RELATED APPLICATIONS

This application is a continuation reissue of application Ser. No. 14/195,435, filed Mar. 3, 2014, entitled "Coaxial Guide Catheter for Interventional Cardiology Procedures" and issued as U.S. Pat. No. RE46,116, which is a continuation reissue of application Ser. No. 14/070,161, filed Nov. 1, 2013, entitled "Coaxial Guide Catheter for Interventional Cardiology Procedures" and issued as U.S. Pat. No. RE45,380, which is an application for reissue of U.S. Pat. No. 8,292,850, which issued from application Ser. No. 13/359,059, filed Jan. 26, 2012 and entitled "Coaxial Guide Catheter for Interventional Cardiology Procedures," which is a divisional of application Ser. No. 12/824,734, filed Jun. 28, 2010 [now U.S. Pat. No. 8,142,413] entitled "Coaxial Guide Catheter for Interventional Cardiology Procedures" and issued as U.S. Pat. No. 8,142,413, which is a divisional of application Ser. No. 11/416,629, filed May 3, 2006 [now U.S. Pat. No. 8,048,032] entitled "Coaxial Guide Catheter for Interventional Cardiology Procedures" and issued as U.S. Pat. No. 8,048,032. Notice: more than one reissue application has been filed for the reissue of U.S. Pat. No. 8,292,850. The reissue applications are application Ser. Nos. 14/070,161 (issued as U.S. Pat. No. RE45,380), 14/195,385 (issued as U.S. Pat. No. RE45,760), 14/195,413 (issued as U.S. Pat. No. RE45,776), 14/195,435 (issued as U.S. Pat. No. RE46,116), and 14/984,273 (this application).

FIELD OF THE INVENTION

The present invention relates generally to catheters used in interventional cardiology procedures. More particularly the present invention relates to methods and apparatus for increasing backup support for catheters inserted into the coronary arteries from the aorta.

BACKGROUND OF THE INVENTION

Interventional cardiology procedures often include inserting guidewires or other instruments through catheters into coronary arteries that branch off from the aorta. For the purposes of this application, the term "interventional cardiology devices" is to be understood to include but not be limited to guidewires, balloon catheters, stents and stent catheters. In coronary artery disease the coronary arteries may be narrowed or occluded by atherosclerotic plaques or other lesions. These lesions may totally obstruct the lumen of the artery or may dramatically narrow the lumen of the artery. Narrowing is referred to as stenosis. In order to diagnose and treat obstructive coronary artery disease it is commonly necessary to pass a guidewire or other instruments through and beyond the occlusion or stenosis of the coronary artery.

In treating a stenosis, a guide catheter is inserted through the aorta and into the ostium of the coronary artery. This is

sometimes accomplished with the aid of a guidewire. A guide catheter is typically seated into the opening or ostium of the artery to be treated and a guidewire or other instrument is passed through the lumen of the guide catheter and inserted into the artery beyond the occlusion or stenosis. Crossing tough lesions can create enough backward force to dislodge the guide catheter from the ostium of the artery being treated. This can make it difficult or impossible for the interventional cardiologist to treat certain forms of coronary artery disease.

Prior attempts to provide support to the guiding catheter to prevent backward dislodgement from the coronary ostium (referred to as "backup support") fall generally into four categories.

First are guiding catheters that, through a combination of shape and stiffness, are configured to draw backup support from engaging the wall of the aortic arch opposing the ostium of the coronary artery that is being accessed. Examples of this approach can be found in U.S. Pat. No. 6,475,195 issued to Voda and U.S. Pat. No. 5,658,263 issued to Dang et al. These guiding catheters all share the common limitation that a guide catheter stiff enough to provide adequate backup support is often too stiff to be safely inserted into the aorta without the possibility of causing damage to the aortic wall. In addition, attempts to deep seat the guide catheter have been made but the rigid nature of the guide catheter creates the risk that the guide catheter may damage the coronary artery wall or that the guide catheter may occlude the coronary artery and interfere with blood flow to the heart muscle.

Second are guiding catheters that include a retractable appendage. The appendage in these catheters can be extended to engage the opposing wall of the aortic arch to provide backup support or the appendage may be placed under tension to stiffen a bend in the catheter to provide backup support. Examples of this approach may be found in U.S. Pat. No. 4,813,930 issued to Elliot; U.S. Pat. No. 5,098,412 issued to Shiu; and U.S. Pat. No. 6,860,876 issued to Chen. These guiding catheters tend to be somewhat mechanically complex and have not been widely adopted by practitioners.

Third are guide catheters that have a portion that seeks to expand laterally to grip the interior wall of the ostium of the coronary artery to provide a force acting in opposition to the backward forces created when trying to maneuver a therapeutic device past a lesion or blockage in the coronary artery. These devices can include a balloon secured to a guidewire or a catheter or another device for expanding to grip the walls of the coronary artery from within. Examples of this approach may be found in U.S. Pat. No. 4,832,028 issued to Patel; U.S. Pat. No. 6,595,952 issued to Forsberg; and U.S. Published Application No. 2005/0182437 by Bonnette et al. Again, these devices tend to be mechanically complex and can completely occlude the coronary ostium thus stopping perfusion of the coronary artery.

A fourth technique includes the placement of a smaller guide catheter within a larger guide catheter in order to provide added support for the crossing of lesions or for the distal delivery of balloons and stents. This technique has been described in an article by Takahashi entitled "New Method to Increase a Backup Support of Six French Guiding Coronary Catheter," published in *Catheterization and Cardiovascular Interventions*, 63:452-456 (2004). This technique is used in order to provide a method of deep seating the guide catheter within the ostium of the coronary artery. Deep seating refers to inserting the catheter more deeply into the ostium of the coronary artery than typically has been

done before. Unfortunately, deep seating by this technique with a commonly available guide catheter creates the risk that the relatively stiff, fixed curve, guide catheter will damage the coronary artery. This damage may lead to dissection of the coronary artery when the catheter is advanced past the ostium.

Several other problems arise when using a standard guide catheter in this catheter-in-a-catheter fashion. First, the inner catheters must be substantially longer than the one hundred centimeter guide catheter. Second, a new hemostasis valve must be placed on the inner guide catheter which prevents the larger guide catheter from being used for contrast injections or pressure measurements. Third, the smaller guide catheter still must be inserted into the coronary vessel with great care since the smaller guide catheter has no tapered transition or dilator at its tip and does not run over a standard 0.014 inch guidewire.

Thus, the interventional cardiology art would benefit from the availability of a system that would be deliverable through standard guide catheters for providing backup support by providing the ability to effectively create deep seating in the ostium of the coronary artery.

SUMMARY OF THE INVENTION

The present invention is a coaxial guide catheter that is deliverable through standard guide catheters by utilizing a guidewire rail segment to permit delivery without blocking use of the guide catheter. The coaxial guide catheter preferably includes a tapered inner catheter that runs over a standard 0.014 inch coronary guidewire to allow atraumatic placement within the coronary artery. This feature also allows removal of the tapered inner catheter after the coaxial guide catheter is in place. The tapered inner catheter provides a gradual transition from the standard 0.014 inch diameter guidewire to the diameter of the coaxial guide catheter which is typically five to eight French.

The coaxial guide catheter preferably can be delivered through commonly existing hemostatic valves used with guide catheters while still allowing injections through the existing Y adapter. In addition, the coaxial guide catheter preferably has an inner diameter that is appropriate for delivering standard coronary treatment devices after it is placed in the coronary artery.

In one embodiment, the coaxial guide catheter is made in at least three sizes corresponding to the internal capacity of 8 French, 7 French, and 6 French guide catheters that are commonly used in interventional cardiology procedures. An 8 French catheter has an internal diameter greater than or equal to 0.088 inches. A 7 French catheter has an internal diameter greater than or equal to 0.078 inches. A 6 French guide catheter has an internal diameter greater than or equal to 0.070 inches. Thus, for three exemplary sizes the effective internal diameter of the coaxial guide catheter may be as follows. For a 7 French in 8 French coaxial guide catheter, the internal diameter should be greater than or equal to 0.078 inches. For a 6 French in 7 French coaxial guide catheter the internal diameter should be greater than or equal to 0.070 inches. For a 5 French in 6 French coaxial guide catheter the internal diameter should be greater than or equal to 0.056 inches.

Interventional cardiology procedures are typically carried out under fluoroscopy or another x-ray or imaging technique. Therefore, one embodiment of the coaxial guide catheter of the present invention includes a radiopaque marker at its distal tip to facilitate positioning and manipulation of the coaxial guide catheter.

The present invention generally includes the coaxial guide catheter and a tapered inner catheter. The coaxial guide catheter includes a tip portion, a reinforced portion, and a substantially rigid portion. The coaxial guide catheter will generally have an overall length of preferably approximately 125 cm, though this should not be considered limiting.

In one embodiment, the tip portion may include a soft tip and a marker band. The soft tip is tapered and may be formed from a low durometer polymer or elastomer material such as polyether block amide polymer, (PEBA, Pebax®) the marker band may be formed from a platinum iridium alloy sandwiched between the Pebax® that extends from the bump tip and a PTFE liner.

In one embodiment, the reinforced portion may be reinforced, preferably with metallic fibers in a braided or coiled pattern. The braided or coiled portion is lined by a PTFE liner and may be covered on its exterior with Pebax®. The braided or coiled portion may extend approximately 20 to 110 cm in length. In one exemplary embodiment, the braided portion extends approximately 32 to 36 cm.

Preferably, the rigid portion may be advantageously formed from a stainless steel or Nitinol tube. The rigid portion may be joined to the braid or coil portion by welding. The rigid portion may include a cutout portion and a full circumference portion. For example, the cutout portion may include a section where about 45% of the circumference of the cylindrical tubular structure has been removed. The cutout portion may also include a section where 75-90% of the circumference of the tubular structure has been removed. In one exemplary embodiment, the portion having approximately 45% removed may extend for approximately 75 cm and the portion having 75-90% of the structure removed extends for about 15 cm.

The full circumference portion of the rigid portion is typically located at the most proximal end of the coaxial guide catheter.

The rigid portion may include a plurality of radially oriented slits or other cuts in its distal portion to increase and control the flexibility of the rigid portion

In an exemplary embodiment, the tapered inner catheter generally includes a tapered inner catheter tip and a cutout portion. The tapered inner catheter tip includes a tapered portion and a straight portion. The tapered portion is typically at the most distal end of the tapered inner catheter. Both the straight portion and the tapered portion are pierced by a lumen through which a guidewire may be passed.

The cutout portion supports a track passing along the concave side thereof that continues from the lumen that passes through the straight portion and the tapered portion. The tapered inner catheter may also have a clip or snap attachment at its proximal end to releasably join the tapered inner catheter to the coaxial guide catheter.

In operation, the tapered inner catheter is inserted inside and through the coaxial guide catheter. The tapered inner catheter is positioned so that the tapered inner catheter tip extends beyond the tip portion of the coaxial guide catheter. The coaxial guide catheter-tapered inner catheter combination may then be inserted into a blood vessel that communicates with the aorta. The coaxial guide catheter-tapered inner catheter combination may be threaded over a pre-placed 0.014 inch guidewire. The tapered inner catheter-coaxial guide catheter combination is advanced up the aorta until the tapered inner catheter is passed into the ostium of a coronary artery over the guidewire. Once the coaxial guide catheter-tapered inner catheter combination has been inserted sufficiently into the ostium of the coronary artery to achieve deep seating the tapered inner catheter may be

5

removed. During this entire process at least part of the coaxial guide catheter-tapered inner catheter combination is located inside of the guide catheter.

Once the tapered inner catheter is removed a cardiac treatment device, such as a guidewire, balloon or stent, may be passed through the coaxial guide catheter within the guide catheter and into the coronary artery. As described below, the presence of the coaxial guide catheter provides additional backup support to make it less likely that the coaxial guide catheter guide catheter combination will be dislodged from the ostium of the coronary artery while directing the coronary therapeutic device past a tough lesion such as a stenosis or a chronic arterial occlusion.

A guide catheter inserted into the ostium of a branch artery where it branches off from a larger artery is subject to force vectors that tend to dislodge the distal end of the guide catheter from the ostium of the branch artery when a physician attempts to direct a guidewire or other interventional cardiology device past an occlusive or stenotic lesion in the branch artery. This discussion will refer to a guide wire but it is to be understood that similar principles apply to other interventional cardiology devices including balloon catheters and stent catheters.

One of the forces that act on the guide catheter is an axial force substantially along the axis of the branch artery and the portion of the guide catheter that is seated in the ostium. This force vector is a reactive force created by the pushing back of the guide wire against the guide catheter as the physician tries to force the guidewire through or past the lesion. It tends to push the distal end of the catheter out of the ostium in a direction parallel to the axis of the branch artery and the axis of the distal end of the guide catheter.

Another of the force vectors that acts on the guide catheter is a shearing force that tends to dislodge the distal end of the guide catheter from the ostium of the branch artery in a direction perpendicular to the axis of the branch artery and the axis of the distal end of the guide catheter. This force vector arises from curvature of the guide catheter near its distal end and the guide wire pushing on the curved portion of the guide catheter as the physician applies force to the guidewire. The coaxial guide catheter of the present invention assists in resisting both the axial forces and the shearing forces that tend to dislodge a guide catheter from the ostium of a branch artery.

The system is deliverable using standard techniques utilizing currently available equipment. The present invention also allows atraumatic placement within the coronary artery. Further, the invention is deliverable through an existing hemostatic valve arrangement on a guide catheter without preventing injections through existing Y adapters. Finally, the invention has an inner diameter acceptable for delivering standard coronary devices after it is placed in the blood vessel.

BRIEF DESCRIPTION OF THE DRAWINGS

FIG. 1 is a schematic depiction of the coaxial guide catheter and a tapered inner catheter in accordance with the present invention;

FIG. 2 is schematic depiction of the coaxial guide catheter and tapered inner catheter assembled in accordance with the present invention;

FIG. 3 is a plan view of a guide catheter, the coaxial guide catheter, and a treatment catheter in accordance with the present invention;

FIG. 4 is a sectional view of the coaxial guide catheter in accordance with the present invention;

6

FIG. 5 is a cross sectional view of the coaxial guide catheter and tapered inner catheter in accordance with the present invention;

FIG. 6 is another cross sectional view of the coaxial guide catheter and tapered inner catheter in accordance with the present invention;

FIG. 7 is a schematic view of a guide catheter and a guidewire located in an aortic arch and a coronary artery and the guide catheter and guidewire in a second position depicted in phantom;

FIG. 8 is a schematic view of a guide catheter, a guidewire, a coaxial guide catheter in accordance with the present invention and a tapered inner catheter located in the aortic arch and coronary artery;

FIG. 9 is a schematic view of a guide catheter, a guidewire and a coaxial guide catheter in accordance with the present invention located in the aortic arch and coronary artery;

FIG. 10 is a flat pattern for making relief cuts in a curved rigid portion of the coaxial guide catheter in accordance with the present invention;

FIG. 11 is a detailed view taken from FIG. 10;

FIG. 12 is a plan view of the rigid portion in accordance with the present invention;

FIG. 13 is an elevational view of the rigid portion;

FIG. 14 is a sectional view of the rigid portion taken along section line 14-14 of FIG. 13; and

FIG. 15 is a sectional view of the rigid portion taken along section line 15-15 of FIG. 13.

FIG. 16 is a sectional view of the rigid portion taken along section line 16-16 of FIG. 13.

FIG. 17 is a plan view of a coaxial guide catheter having a longer rail segment and a tapered inner catheter in accordance with the present invention.

FIG. 18 is a plan view of the tapered inner catheter as depicted in the FIG. 17.

FIG. 19 is a cross-sectional view of the tapered inner catheter taken along section lines 19-19 of FIG. 18.

FIG. 20 is a plan view of a coaxial guide catheter in accordance with the present invention.

FIG. 21 is an elevational view of a coaxial guide catheter in accordance with the present invention.

FIG. 22 is a cross-sectional view taken along section line 22-22 of FIG. 21.

DETAILED DESCRIPTION OF THE DRAWINGS

Referring to FIGS. 1 and 2, coaxial guide catheter assembly 10 of the present invention generally includes coaxial guide catheter 12 and tapered inner catheter 14.

Coaxial guide catheter 12 generally includes tip portion 16, reinforced portion 18, and rigid portion 20. The overall length of the coaxial guide catheter typically can be approximately 125 cm. This length should not be considered limiting.

Tip portion 16 generally includes bump tip 22 and marker band 24. Bump tip 22 includes taper 26. Bump tip 24 is relatively flexible and may be formed, for example, from 4033 Pebax®. Bump tip 22 may be yellow or another high visibility color for ease of handling.

Marker band 24 is formed of a radiopaque material such as platinum/iridium alloy usually at a 90/10 ratio. Marker band 24 may be sandwiched between an outer Pebax® material 28 and a PTFE liner 30. Outer Pebax® material 28 in this location may be formed of 5533 Pebax, for example.

Reinforced portion 18 includes braid or coil reinforcement 32. Braid or coil reinforcement 32 may be formed of metal, plastic, graphite, or composite structures known to

the art. Reinforced portion **18** may be lined on the interior by PTFE liner **30** and covered on the exterior by Pebax® material **28**. Tip portion **16** and reinforced portion **18** together form a substantially cylindrical structure. Braid or coil reinforcement **32** may extend approximately 20 to 30 cm. In one exemplary embodiment, braid or coiled portion has a length of approximately 32 to 36 cm.

Rigid portion **20** may be secured to braid or coil reinforcement by, for example, welding or bonding. Rigid portion **20** may be formed from a hypotube or a section of stainless steel or Nitinol tubing. Other substantially rigid materials may be used as well. Rigid portion **20** includes first full circumference portion **34**, hemicylindrical portion **36**, arcuate portion **38**, and second full circumference portion **40**.

First full circumference portion **34** is joined to braid or coil reinforcement **32**. First full circumference portion **34** extends for a relatively short distance, for example, 0.25 cm.

Hemicylindrical portion **36** desirably includes 40% to 70% of the circumference of the tube. Hemicylindrical portion **36** may extend, for example, approximately 20 to 75 cm in length.

Hemicylindrical portion **36** tapers into arcuate portion **38**.

Arcuate portion **38** extends from 25% to 40% of the circumference of the tube. Arcuate portion **38** may extend linearly, for example, for about 15 cm.

Arcuate portion **38** connects to second full circumference portion **40**. Second full circumference portion **40** may extend for a short distance, for example, approximately 3 cm.

Tapered inner catheter **14** generally includes tapered inner catheter tip **42** and cutout portion **44**. Tapered inner catheter tip **42** tapers gradually from the diameter of a guide wire to the diameter of tip portion **16**.

Tapered inner catheter tip **42** includes tapered portion **46** at a distal end thereof, and straight portion **48**. Both tapered portion **46** and straight portion **48** are pierced by lumen **50**.

Cutout portion **44** defines a concave track **52** along its length. Concave track **52** is continuous with lumen **50**.

Tapered inner catheter **14** may also include clip **54** at a proximal end thereof to releasably join tapered inner catheter **14** to coaxial guide catheter **12**. Thus, tapered inner catheter **14** is keyed to coaxial guide catheter **12**.

Coaxial guide catheter **12** may include, starting at its distal end, a first portion having a flexural modulus of about 13,000 PSI plus or minus 5000 PSI, a second portion having a flexural modulus of about 29,000 PSI plus or minus 10,000 PSI, a third portion having a flexural modulus of about 49,000 PSI plus or minus 10,000 PSI and a fourth portion having a flexural modulus of about 107,000 PSI plus or minus 20,000 PSI. Coaxial guide catheter **12** may be formed, for example, of 4033 Pebax® at bump tip **22** for the first 0.1 cm. This portion may be followed by a section about three cm long of 5533 Pebax® that covers marker band **24** and the distal portion of braid or coil reinforcement **32**. Next may come an approximately five cm portion of 6333 Pebax® which encloses part of braid or coil reinforcement **32** followed by an approximately twenty seven cm portion of 7233 Pebax® covering the most proximal portion of braid or coil reinforcement **32**. Braid or coil reinforcement **32** is bonded to rigid portion **20** which may be formed from stainless steel or a similar biocompatible material. Rigid portion **20** may extend for approximately ninety cm and include first full circumference portion **34** (approximately 0.25 cm), hemicylindrical portion **36** (approximately seven cm), arcuate portion (approximately fifteen cm)

and second full circumference portion (approximately three cm.) Rigid portion **20** may be formed from a stainless steel or Nitinol hypo tube.

FIG. 7 depicts a typical guide catheter **56** passing through aortic arch **58** into ostium **60** of coronary artery **62**. FIG. 7 also depicts guidewire **64** passing through the guide catheter **56** and into coronary artery **62**. Located in coronary artery **62** is stenotic lesion **66**. In a typical procedure, guidewire **64** is placed through the aortic arch **58** and into the ostium **60** of the coronary artery. **62**. The guide catheter **56** is passed over guidewire **64** until distal end **68** of guide catheter **56** is seated in ostium **60** of coronary artery **62**. Force is then applied to the guidewire **64** to push guidewire **64** past stenotic lesion **66** or an occlusive lesion (not shown). Once the guidewire **64** is pushed past stenotic lesion **66** or occlusive lesion (not shown), a treating catheter including a stent or balloon can be passed along the guidewire to stenotic lesion **66** or occlusive lesion (not shown). The lesion can then be treated.

As can be seen in phantom, in FIG. 7, the application of force to guidewire **64** can cause guide catheter **56** to dislodge from ostium **60** of coronary artery **62**. This can occur in the case of a tough stenotic lesion **66** or occlusive lesion (not shown) when it is difficult to pass the guidewire **64** beyond the stenotic lesion **66** or occlusive lesion (not shown).

Referring to FIG. 8 coaxial guide catheter **12** is depicted as used with guide catheter **56**, guidewire **64**, and tapered inner catheter **14**. Here, coaxial guide catheter **12** with tapered inner catheter **14** is passed through guide catheter **56** and over guidewire **64** into coronary artery **62** after the guide catheter **56** has been placed in the ostium **60** of coronary artery **62**, as depicted in FIG. 7. Coaxial guide catheter **12**, with tapered inner catheter **14**, provides an inner support member for proper translation over guidewire **64**. Tapered inner catheter tip **42** provides a distal tapered transition from guidewire **64** to coaxial guide catheter **12**. Once coaxial guide catheter **12** is in place, tapered inner catheter **14** is removed from the inside of coaxial guide catheter **12**.

Coaxial guide catheter **12** is now ready to accept a treatment catheter such as a stent or balloon catheter. Referring to FIG. 9, the combination of guide catheter **56** with coaxial guide catheter **12** inserted into ostium **60** of coronary artery **62** provides improved distal anchoring of guide catheter **56** and coaxial guide catheter **12**. The presence of coaxial guide catheter **12** within guide catheter **56** also provides stiffer back up support than guide catheter **56** alone. The combination of improved distal anchoring and stiffening of the guide catheter **56**/coaxial guide catheter **12** combination provides additional back up support to resist dislodging of guide catheter **56** from ostium **60** when force is applied to guidewire **64** to pass through stenotic lesion **66** or another lesion. In addition, the improved back up support assists in the positioning of a treating catheter that may include a stent or balloon.

Referring to FIGS. 10 and 11, in some embodiments of coaxial guide catheter **12**, rigid portion **20** may be perforated by relief cuts **70**. Relief cuts **70** may be classed into first group **72** and second group **74**.

First group **72** may be located near to the juncture between rigid portion **20** and reinforced portion **18**. First group **72** of relief cuts **70**, are relatively closely spaced. For example, first group **72** of relief cuts **70** may be spaced approximately 0.010 inches apart. First group **72** of relief cuts **70** extends for a relatively short distance, for example, approximately 2 inches.

Second group **74** of relief cuts **70** may extend for a relatively long distance, for example, approximately 30-35

inches. Second group **74** of relief cuts **70** are spaced farther apart than first group **72**. For example, relief cuts **70** of second group **74** may be spaced approximately 0.020 inches between cuts. Referring particularly to FIG. **11**, relief cuts **70** may include single cuts **76** and double cuts **78**. Single cuts **76** may include an individual linear cut, as can be seen in FIG. **11**. Double cuts **78** may include two linear cuts along a single line but separated by a short section of uncut structure. Typically, single cuts **76** and double cuts **78** are alternated along the length of rigid portion **20**. Generally, the overall length of single cut **76** may be less than the overall length of two double cuts **78**.

In an embodiment depicted in FIGS. **12-15**, rigid portion includes full circumference portion **80**, greater than 180° portion **82**, and less than 180° portion **84**. Greater than 180° portion **82** may, for example, include structure forming approximately 300° of the circumference of the cylinder. Less than 180° portion may include, for example, structure forming approximately 90° of the circumference of a cylinder. Greater than 180° portion **82** may extend approximately 22-25 inches. Greater than 180° portion **82** holds tapered inner catheter **14** within rigid portion **20**.

When tapered inner catheter is inserted into coaxial guide catheter **12** greater than 180°, portion **82** grips tapered inner catheter **14** which is exposed through the opening in greater than 180° portion **82**. Thus, the overall structure of tapered inner catheter **14** along with greater than 180° portion **82** is substantially cylindrical. Accordingly, when inserted through a guide catheter **56** having a Touhey-Borst style adapter, the Touhey-Borst style adapter can still seal around rigid portion **20** and enclosed inner tapered catheter **14**.

Referring to FIG. **16**, another embodiment of coaxial guide catheter assembly **10** includes coaxial guide catheter **12** and tapered inner catheter **14**. Tapered inner catheter **14** is keyed to coaxial guide catheter **12** at hub **86**.

Referring to FIGS. **17** and **18**, tapered inner catheter **14** generally includes connector hub **88** and catheter tube **90**.

Connector hub **88** generally includes connector portion **92**, grip portion **94** and joining portion **96**. Connector hub **88** defines funnel portion **98** therein.

Catheter tube **90** generally includes straight portion **100**, tapered portion **102** and marker band tip **104**. Catheter tube **90** is joined to connector hub **88** at joining portion **96**. Tapered inner catheter **14** may be formed in whole or in part from low-density polyethylene plastic, for example. Other suitable materials known to the catheter arts may be used as well.

Grip portion **94** desirably includes gripping ears **106**. Gripping ears **106** may extend outwardly from grip portion **94** substantially radially and be shaped for convenient gripping by a physician.

Referring to FIGS. **19** through **21**, in this embodiment, coaxial guide catheter **12** includes interrupted hub **108**, hemi-tube portion **110**, braided portion **112** and tip portion **114**.

Interrupted hub **108** defines an opening **116**, along a side thereof. Interrupted hub **108** may be substantially C-shaped or U-shaped in cross section. Opening **116** is sized so that tapered inner catheter **14** may be passed readily therethrough in a direction perpendicular to the long axes of both interrupted hub **108** and tapered inner catheter **14**. Hemi-tube portion **110** is immediately distal to interrupted hub **108**. Hemi-tube portion **110** may be formed, for example, from a metal hypo tube forming approximately 50% of the circumference of a cylinder. Hemi-tube portion **110** is aligned so that opening **116** of interrupted hub **108** is coextensive with opening **118** of hemi-tube portion **110**. Hemi-tube portion

110 is joined to braided portion **112**, for example, by adhesive, bonding or welding. The location where hemi-tube portion **110** and braided portion **112** join defines the entire circumference of a cylinder.

Braided portion **112** may be reinforced by a coil or braid, **120**. Coil or braid **120** may be formed of metal or another suitable reinforcing material.

Tip portion **114** is generally not reinforced and is substantially soft. Tip portion **114** is similarly structured to tapered inner catheter tip **42**. Tip portion **114** may include a radiopaque marker band **24**.

Beginning at the distal end of coaxial guide catheter **12**, tip portion **114** may be formed substantially of, for example, 2533 Pebax®. This may be followed by a section of 3533 Pebax®, then by a section of 5533 Pebax®, then by a further section of 7233 Pebax®. These Pebax® portions may all incorporate, for example, about 20% barium sulfate (BaSO₄).

In one embodiment, tip portion **114** and braided portion **112** may have an overall length together of approximately one hundred nine centimeters. Hemi-tube portion **110** and interrupted hub **108** may together have an overall length of approximately eighteen centimeters.

In this embodiment, coaxial guide catheter **12** may be lined with a PTFE liner **122**.

In operation, a guide catheter **56** is inserted into a major blood vessel in the body such as aortic arch **58** over guidewire **64** and the distal end **68** of guide catheter **56** is brought into proximity of ostium **60** of a smaller branch blood vessel, such as coronary artery **62**, that it is desired to enter. Coaxial guide catheter **12**, with tapered inner catheter **14**, is inserted through guide catheter **56** and over guidewire **64**. Guide catheter **56**, guidewire **64**, coaxial guide catheter **12**, and tapered inner catheter **14** are manipulated to insert tapered inner catheter tip **42** into the ostium **60** of the blood vessel that branches off from the major blood vessel. The bump tip **22** of coaxial guide catheter **12** is inserted with tapered inner catheter tip **42** well into ostium **60** of coronary artery **62** or other blood vessel until bump tip **22** of coaxial guide catheter **12** achieves a deep seated position. Tapered inner catheter **14** is then withdrawn from the lumen of coaxial guide catheter **12**. An interventional cardiology treatment device such as a catheter bearing a stent or a balloon (not shown) is then inserted through the lumen of coaxial guide catheter **12** which remains inside guide catheter **56**.

When the interventional cardiology device reaches a stenosis or blockage in coronary artery **62** or another branch blood vessel, force may be applied to the interventional cardiology device catheter while reinforced portion **18** and rigid portion **20** of coaxial guide catheter **12** provide back up support. The back force that would tend to dislodge bump tip **22** from a deep seated position in the ostium in the branch blood vessel is transferred through reinforced portion **18** to rigid portion **20** of coaxial guide catheter **12**. A physician may apply a force to the proximal end of the coaxial guide catheter **12** to resist dislodging of bump tip **22** from the ostium of the branch artery.

One advantage of the present invention over prior art approaches is that the present invention does not interfere with the injection of fluids via the Y-adapter of guide catheter **56** as does the use of a smaller catheter within a larger catheter.

The present invention may be embodied in other specific forms without departing from the spirit of the essential attributes thereof; therefore, the illustrated embodiments should be considered in all respects as illustrative and not

11

restrictive, reference being made to the appended claims rather than to the foregoing description to indicate the scope of the invention.

The invention claimed is:

[1. A system for use with interventional cardiology devices adapted to be insertable into a branch artery, the system comprising:

a guide catheter having a continuous lumen extending for a predefined length from a proximal end at a hemostatic valve to a distal end adapted to be placed in the branch artery, the continuous lumen of the guide catheter having a circular cross-sectional inner diameter sized such that interventional cardiology devices are insertable into and through the continuous lumen of the guide catheter; and

a device adapted for use with the guide catheter, including:

structure and having a circular cross-section and a length that is shorter than the predefined length of the continuous lumen of the guide catheter, the tubular structure having a cross-sectional outer diameter sized to be insertable through the cross-sectional inner diameter of the continuous lumen of the guide catheter and defining a coaxial lumen having a cross-sectional inner diameter through which interventional cardiology devices are insertable; and

a substantially rigid portion proximal of and operably connected to, and more rigid along a longitudinal axis than a structure without a lumen having a maximal cross-sectional dimension at a proximal portion that is smaller than the cross-sectional outer diameter of the flexible tip portion and having a length that, when combined with the length of the flexible distal tip portion, defines a total length of the device along the longitudinal axis that is longer than the length of the continuous lumen of the guide catheter, such that when at least a distal portion of the flexible tip portion is extended distally of the distal end of the guide catheter, at least a portion of the proximal portion of the substantially rigid portion extends proximally through the hemostatic valve in common with interventional cardiology devices that are insertable into the guide catheter.]

[2. The system of claim 1, wherein the tubular structure includes a distal portion adapted to be extended beyond the distal end of the guide catheter while a proximal portion remains within the lumen of the guide catheter, such that the device assists in resisting axial and shear forces exerted by the interventional cardiology device passed through and beyond the coaxial lumen that would otherwise tend to dislodge the guide catheter from the branch artery.]

[3. The system of claim 2, wherein the proximal portion of the tubular structure further comprises structure defining a proximal side opening extending for a distance along the longitudinal axis, and accessible from a longitudinal side defined transverse to the longitudinal axis, to receive the interventional cardiology devices into the coaxial lumen while the proximal portion remains within the lumen of the guide catheter.]

[4. The system of claim 3, wherein the proximal side opening includes structure defining a full circumference portion and structure defining a partially cylindrical portion.]

[5. The system of claim 1, wherein the tubular structure includes a flexible cylindrical distal tip portion and a flexible cylindrical reinforced portion proximal to the flexible distal tip portion.]

12

[6. The system of claim 5, wherein the flexible cylindrical reinforced portion is reinforced with metallic elements in a braided or coiled pattern.]

[7. The system of claim 2, wherein the flexible cylindrical distal tip portion further comprises a radiopaque marker proximate a distal tip.]

[8. The system of claim 1, wherein the cross-sectional inner diameter of the coaxial lumen of the tubular structure is not more than one French smaller than the cross-sectional inner diameter of the guide catheter.]

[9. The system of claim 1, wherein the substantially rigid portion includes from distal to proximal direction, a cross-sectional shape having a full circumference portion, a hemicylindrical portion and an arcuate portion.]

[10. The system of claim 1, wherein the predefined length of the guide catheter is about 100 cm and the total length of the device is about 125 cm.]

[11. The system of claim 1, further comprising a kit that includes the guide catheter and the device in a common sterile package.]

[12. A system for use with interventional cardiology devices adapted to be insertable into a branch artery, the system comprising:

a guide catheter having a continuous lumen extending for a predefined length from a proximal end at a hemostatic valve to a distal end adapted to be placed in the branch artery, the continuous lumen of the guide catheter having a circular cross-section and a cross-sectional inner diameter sized such that interventional cardiology devices are insertable into and through the continuous lumen of the guide catheter; and

a device adapted for use with the guide catheter, including:

an elongate structure having an overall length that is longer than the predefined length of the continuous lumen of the guide catheter, the elongate structure including:

structure and having a circular cross-section that is smaller than the circular cross-section of the continuous lumen of the guide catheter and a length that is shorter than the predefined length of the continuous lumen of the guide catheter, the flexible tip portion having a cross-sectional outer diameter sized to be insertable through the cross-sectional inner diameter of the continuous lumen of the guide catheter and defining a coaxial lumen having a cross-sectional inner diameter through which interventional cardiology devices are insertable;

a reinforced portion proximal to the flexible tip portion; and

a substantially rigid portion proximal of, connected to, and more rigid along a longitudinal axis than a structure without a lumen having a maximal cross-sectional dimension at a proximal portion that is smaller than the cross-sectional outer diameter of the flexible tip portion, such that when at least a distal portion of the flexible tip portion is extended distally of the distal end of the guide catheter with at least proximal portion of the reinforced portion remaining within the continuous lumen of the guide catheter, at least a portion of the proximal portion of the substantially rigid portion extends proximally through the hemostatic valve in common with interventional cardiology devices that are insertable into the guide catheter.]

[13. The system of claim 12, wherein, when the distal portion of the flexible tip portion is insertable through the

13

continuous lumen of the guide catheter and beyond the distal end of the guide catheter, the device assists in resisting axial and shear forces exerted by an interventional cardiology device passed through and beyond the coaxial lumen that would otherwise tend to dislodge the guide catheter from the branch artery.]

[14. The system of claim 12, wherein the substantially rigid portion further includes a partially cylindrical portion defining an opening extending for a distance along a side thereof defined transverse to a longitudinal axis that is adapted to receive an interventional cardiology device passed through continuous lumen of the guide catheter and into the coaxial lumen while the device is inserted into the continuous lumen, the opening extending substantially along at least a portion of a length of the substantially rigid portion.]

[15. The system of claim 12, wherein, after the device is inserted into the continuous lumen of the guide catheter, the device presents an overall effective length of a coaxial lumen through which an interventional cardiology device may be inserted while utilizing only a single hemostatic valve and without any telescoping structure preassembled prior to the device being inserted into the continuous lumen of the guide catheter.]

[16. The system of claim 12, the device further comprising a radiopaque marker proximate the distal portion of the flexible tip portion.]

[17. The system of claim 12, wherein the reinforced portion of the device is reinforced with metallic elements in a braided or coiled pattern.]

[18. The system of claim 12, wherein the cross-sectional inner diameter of the coaxial lumen of the flexible distal portion is not more than one French smaller than the cross-sectional inner diameter of the guide catheter.]

[19. The system of claim 12, wherein the substantially rigid portion includes, from distal to proximal, a cross-sectional shape having a full circumference portion, a hemicylindrical portion and an arcuate portion.]

[20. The system of claim 12, wherein the elongate structure includes, starting at the distal portion of the flexible distal portion, at least a first portion having a first flexural modulus, a second portion having a second flexural modulus greater than the first flexural modulus, and a third portion having a third flexural modulus greater than the second flexural modulus.]

[21. The system of claim 20, in which the first flexural modulus is about 13,000 PSI plus or minus 5000 PSI, the second flexural modulus is about 29,000 PSI plus or minus 10,000 PSI, and the third portion flexural modulus is about 49,000 PSI plus or minus 10,000 PSI.]

[22. The system of claim 20, in which the first portion is about 0.1 cm in length, the second portion is about three cm in length, and the third portion is about five cm in length.]

[23. The system of claim 12, wherein the predefined length of the guide catheter is about 100 cm and the total length of the device is about 125 cm.]

[24. The system of claim 12, further comprising a kit that includes the guide catheter and the device in a common sterile package.]

25. *A method of forming a device adapted for use with a standard guide catheter having a continuous lumen extending for a predefined length, the method comprising:*

providing a flexible tip segment having a lumen there-through;

providing a reinforced segment having a lumen there-through, including one or more metallic elements cov-

14

ered with a polymer, and extending from a proximal end portion to a distal end portion;

providing a substantially rigid segment extending from a proximal end portion to a distal end portion, wherein the substantially rigid segment is more rigid along a longitudinal axis than the flexible tip segment;

defining a side opening portion, including forming, in a proximal to distal direction, an arcuate cross-sectional shape and a hemicylindrical cross-sectional shape;

eccentrically positioning the distal end portion of the substantially rigid segment relative to a longitudinal axis of the proximal end portion of the reinforced segment; and

coaxially aligning the distal end portion of the reinforced segment and a proximal end portion of the flexible tip segment,

wherein providing the substantially rigid segment, the reinforced segment, and the flexible tip segment includes forming a device length that is longer than the predefined length of the continuous lumen of the guide catheter such that when a distal end portion of the flexible tip segment is extended distally of a distal end of the guide catheter, the proximal end portion of the substantially rigid segment extends proximally of a proximal end of the guide catheter.

26. *The method of claim 25, further comprising extending the side opening portion for a distance along a longitudinal axis of the device such that the side opening portion is accessible from a longitudinal side, defined transverse to the longitudinal axis, along the distance.*

27. *The method of claim 25, wherein providing the substantially rigid segment includes providing one or more relief openings at its distal end portion.*

28. *The method of claim 27, wherein the one or more relief openings include a first relief opening and a second relief opening, the openings spaced apart from one another.*

29. *The method of claim 25, wherein providing the substantially rigid segment includes forming or obtaining a hypotube or a metal rail structure.*

30. *The method of claim 25, wherein providing the substantially rigid segment and the reinforced segment includes, starting at the distal end portion of the reinforced segment and moving proximally toward the proximal end portion of the substantially rigid segment, forming or obtaining at least a first device portion having a first flexural modulus and a second device portion having a second flexural modulus, the second flexural modulus greater than the first flexural modulus.*

31. *The method of claim 25, wherein providing the reinforced segment includes covering one or more braided or coiled metallic elements with the polymer.*

32. *The method of claim 31, wherein a length of the one or more braided or coiled metallic elements is in a range of 20 centimeters to 30 centimeters.*

33. *The method of claim 25, wherein providing the reinforced segment includes forming or obtaining a reinforced segment including a lumen having a uniform inner diameter that is about one French smaller than an inner diameter of the continuous lumen of the guide catheter.*

34. *The method of claim 33, wherein the lumen of the reinforced segment is greater than or equal to 0.056 inches and the continuous lumen of the guide catheter is greater than or equal to 0.070 inches.*

35. *The method of claim 25, wherein providing one or both of the reinforced segment and the flexible tip segment includes lining the lumens thereof with polytetrafluoroethylene.*

15

36. The method of claim 25, wherein providing the flexible tip segment includes providing an atraumatic bumper formed of a polymer or an elastomeric material.

37. The method of claim 36, wherein providing the flexible tip segment includes covering a marker band with the polymer or the elastomeric material.

38. A method of forming a device adapted for use with a standard guide catheter having a continuous lumen extending for a predefined length, the method comprising:

providing a flexible tip segment having a lumen there-through;

providing a reinforced segment including one or more metallic elements covered with a polymer and having a lumen for coaxial alignment with the lumen of the flexible tip segment;

providing a substantially rigid segment extending from a proximal end portion to a distal end portion, wherein the substantially rigid segment is more rigid along a longitudinal axis than the flexible tip segment;

defining a side opening portion, including forming, in a proximal to distal direction, an arcuate cross-sectional shape and a hemicylindrical cross-sectional shape, the side opening portion extending for a distance along a longitudinal axis of the device such that the side opening is accessible from a longitudinal side, defined transverse to the longitudinal axis, to receive a balloon catheter and stent; and

arranging, in a proximal to distal direction, the substantially rigid segment, the side opening portion, the reinforced segment, and the flexible tip segment such that when the flexible tip segment is extended distally of a distal end of the guide catheter, the proximal end portion of the substantially rigid segment extends proximally of a proximal end of the guide catheter and

16

the side opening portion is positioned within the continuous lumen of the guide catheter.

39. The method of claim 38, wherein providing the substantially rigid segment, defining the side opening, and providing the reinforced segment includes, starting at a distal end portion of the reinforced segment and moving proximally toward the proximal end portion of the substantially rigid segment, forming or obtaining at least a first device portion having a first flexural modulus, a second device portion having a second flexural modulus greater than the first flexural modulus, and a third device portion having a third flexural modulus greater than the second flexural modulus.

40. The method of claim 38, wherein defining the side opening portion includes providing an angled entrance into the lumen of the reinforced segment.

41. The method of claim 38, wherein defining the side opening includes forming an arcuate cross-sectional shape having a length of about 15 centimeters.

42. The method of claim 25, further comprising defining the side opening portion in the substantially rigid segment.

43. The method of claim 38, wherein defining the side opening portion includes forming a concave track.

44. The method of claim 38, wherein defining the side opening portion includes forming a first inclined sidewall, forming a second inclined sidewall, and separating the first inclined sidewall and the second inclined sidewall by a non-inclined region.

45. The method of claim 38, wherein providing the substantially rigid segment, defining the side opening portion, providing the reinforced segment, and providing the flexible tip segment includes forming a device cross-sectional size and shape configured to be passed, at least in part, into the continuous lumen of the guide catheter.

* * * * *