



US00D435540S

United States Patent [19]
Peng

[11] **Patent Number: Des. 435,540**

[45] **Date of Patent: ** Dec. 26, 2000**

[54] **SPEAKER**

[76] Inventor: **Jack Peng**, P.O. Box No. 6-57,
Chung-Ho City, Taipei Hsien 235,
Taiwan

[**] Term: **14 Years**

[21] Appl. No.: **29/120,087**

[22] Filed: **Mar. 15, 2000**

[51] **LOC (7) Cl.** **14-01**

[52] **U.S. Cl.** **D14/216**

[58] **Field of Search** D14/204, 210-216;
181/144-148, 153, 157, 198, 199; 381/300-302,
307, 359, 361, 363, 386

[56] **References Cited**

U.S. PATENT DOCUMENTS

D. 128,290 7/1941 Rockola D14/212
D. 211,361 6/1968 Moore D14/212
D. 247,490 3/1978 Everidge D14/212

D. 277,853 3/1985 Thomas D14/212 X
D. 354,750 1/1995 Lewis D14/211 X
D. 364,871 12/1995 Esslinger D14/211 X

OTHER PUBLICATIONS

Stereo Review, p. 22, Speaker, Dec. 1988.

Primary Examiner—Nanda Bondade

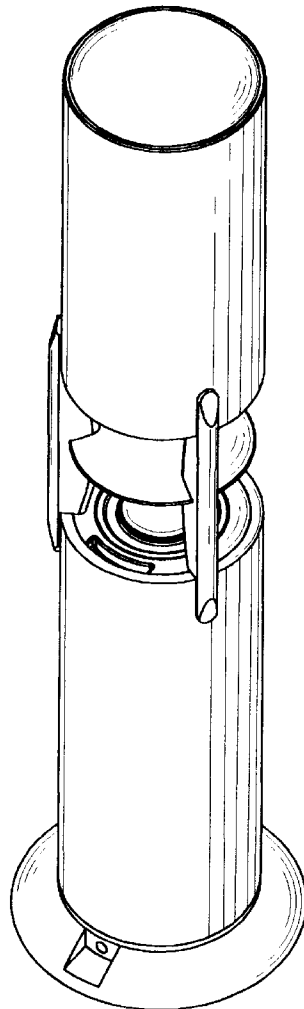
[57] **CLAIM**

The ornamental design for a speaker, as shown and described.

DESCRIPTION

FIG. 1 is a perspective view of a speaker;
FIG. 2 is a front view thereof;
FIG. 3 is a back view thereof;
FIG. 4 is a right side view thereof;
FIG. 5 is a left side view thereof;
FIG. 6 is a top view thereof; and,
FIG. 7 is a bottom view thereof.

1 Claim, 4 Drawing Sheets



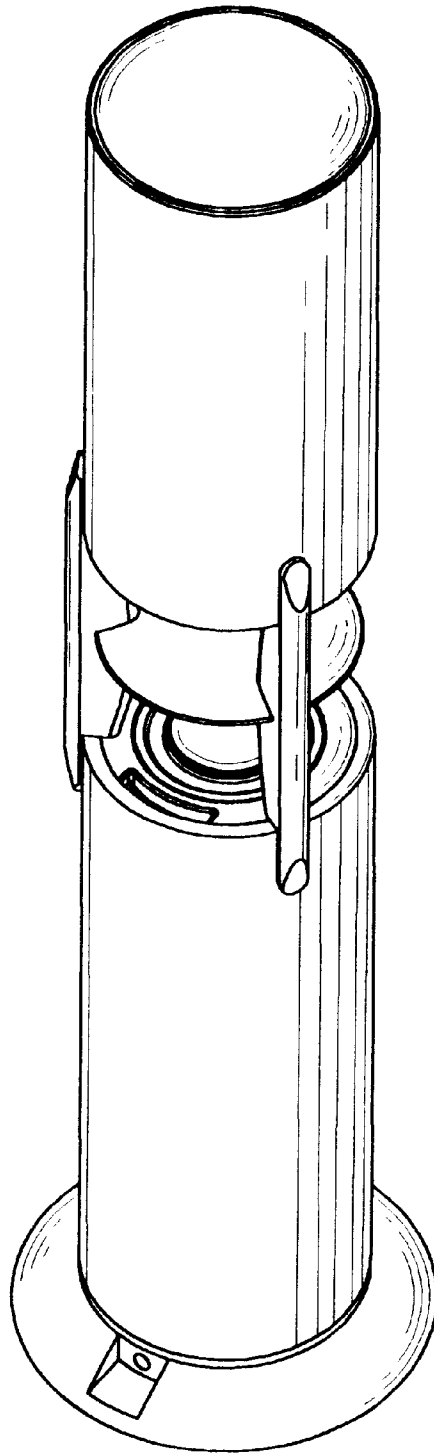


FIG. 1

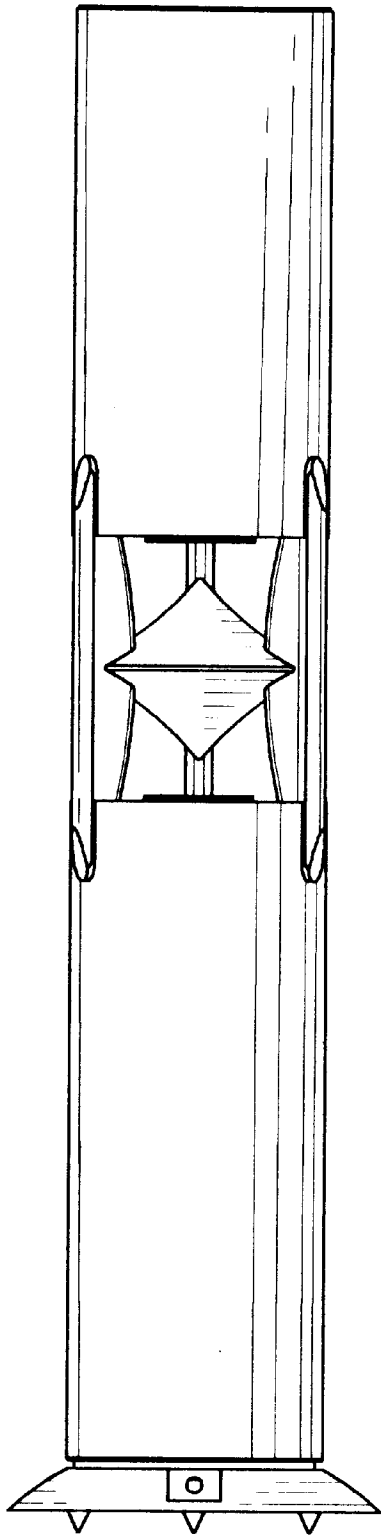


FIG. 2

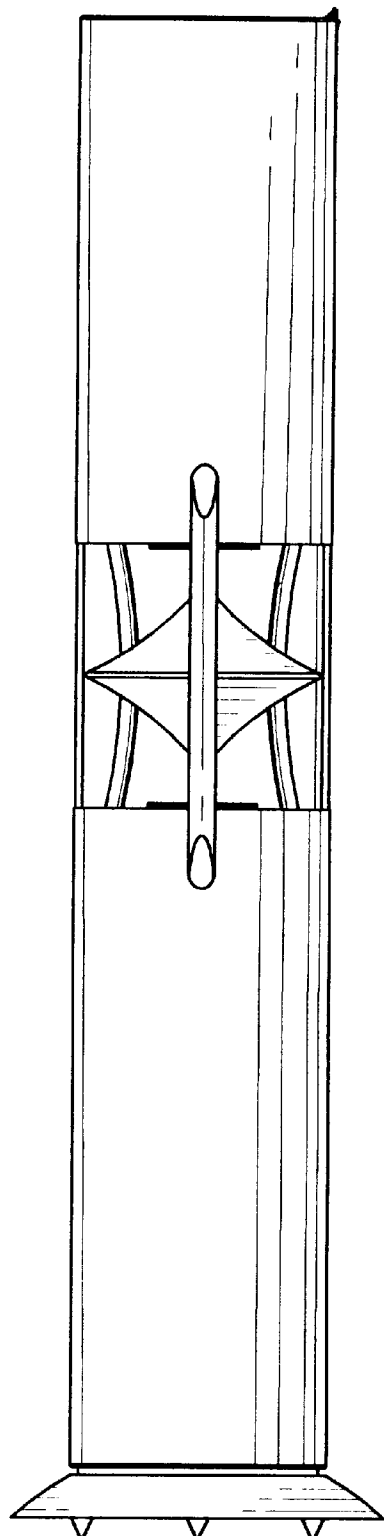


FIG. 3

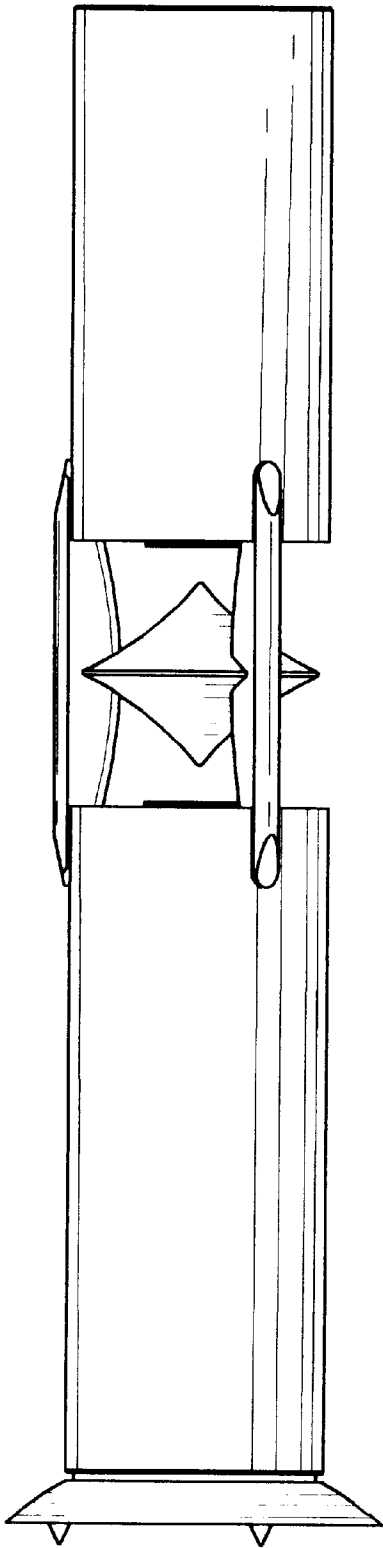


FIG. 4

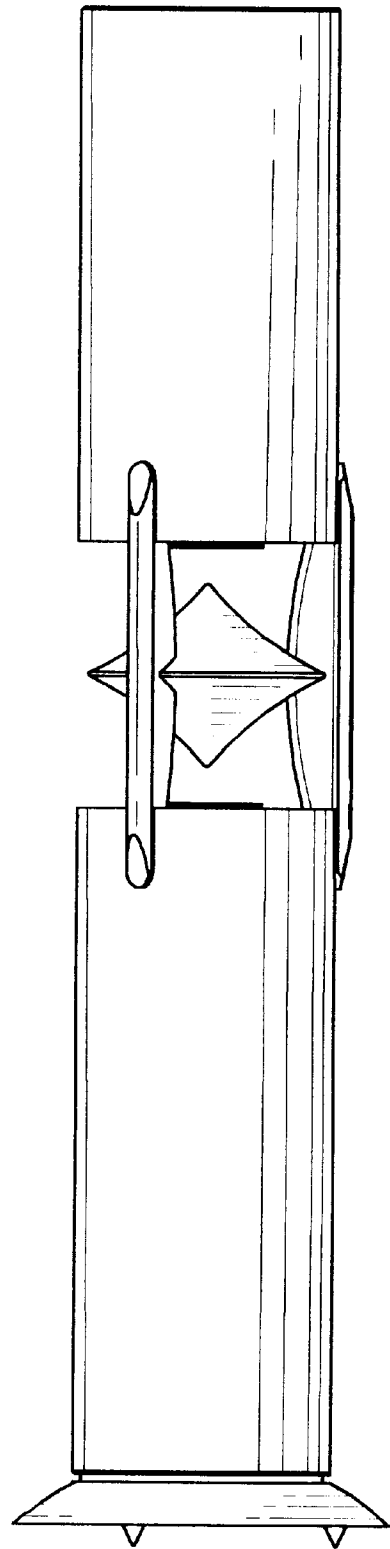


FIG. 5

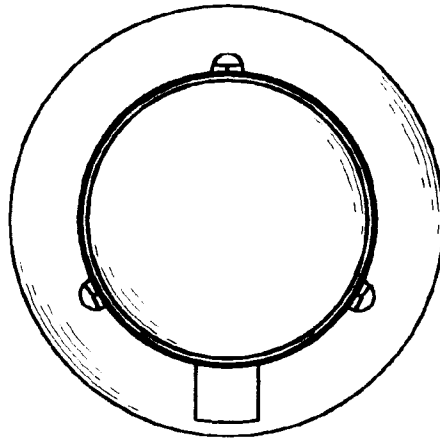


FIG. 6

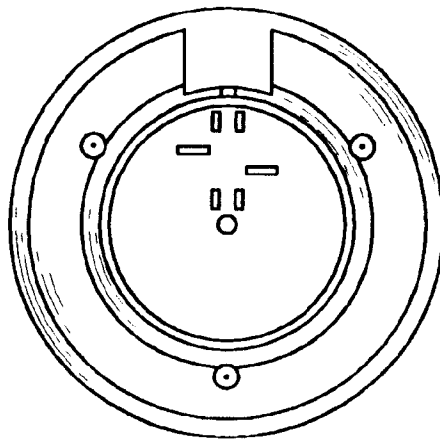


FIG. 7