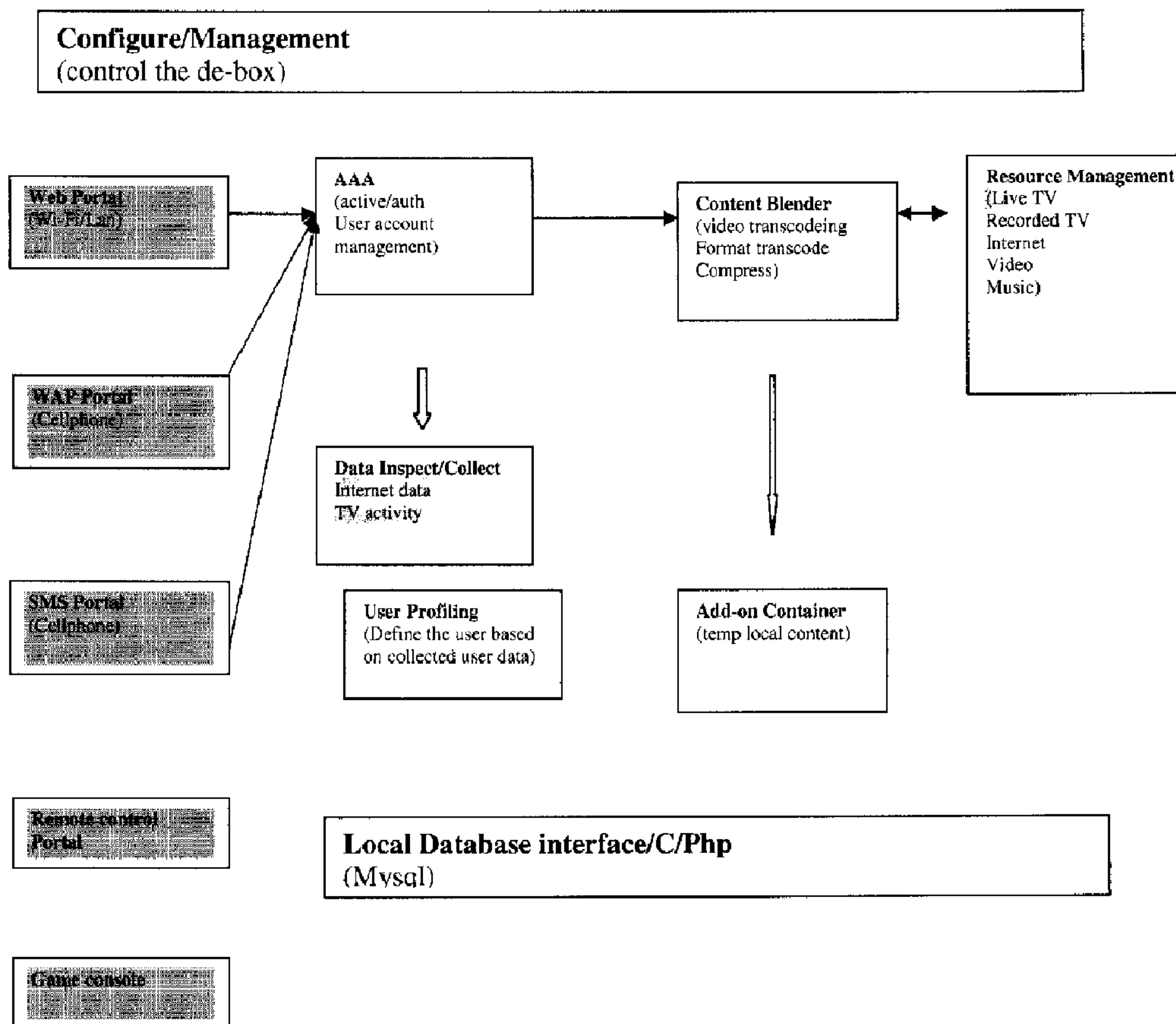




(22) Date de dépôt/Filing Date: 2012/03/30  
(41) Mise à la disp. pub./Open to Public Insp.: 2013/09/30

(51) Cl.Int./Int.Cl. *H04L 12/825* (2013.01),  
*H04N 21/258* (2011.01)  
(71) Demandeur/Applicant:  
DISTERNET TECHNOLOGY INC., CA  
(72) Inventeurs/Inventors:  
SHARIF-AHMADI, SEYED M., CA;  
ARMANI, SAMANTHA, CA;  
ASLI, AFSHIN, CA  
(74) Agent: INGALLS, DORAN J.

(54) Titre : SYSTEME ET METHODE DE GESTION DES SERVICES DE LA LECTURE EN CONTINU  
(54) Title: SYSTEM AND METHOD FOR MANAGING STREAMING SERVICES



(57) Abrégé/Abstract:

A method of providing multi-bitrate adaptive streaming for a user device, including providing a gateway having a transcoder for providing multi-bitrate adaptive streaming for a user device, the transcoder providing a bit rate; providing a transcoder in the



(57) **Abrégé(suite)/Abstract(continued):**

gateway that transcoding the bit rate; the user device requesting a second bit rate, different from the first bit rate; the gateway instructing the transcoder to provide the second bit rate; and the transcoder transcoding at the second bit rate.

**ABSTRACT**

A method of providing multi-bitrate adaptive streaming for a user device, including providing a gateway having a transcoder for providing multi-bitrate adaptive streaming for a user device, the transcoder providing a bit rate; providing a transcoder in the gateway that transcoding the bit rate; the user device requesting a second bit rate, different from the first bit rate; the gateway instructing the transcoder to provide the second bit rate; and the transcoder transcoding at the second bit rate.

## SYSTEM AND METHOD FOR MANAGING STREAMING SERVICES

### TECHNICAL FIELD

[0001] The present disclosure is directed at a system and method for managing content delivery services, and more particularly for managing such services amongst a plurality of user devices through a common gateway.

### BACKGROUND

[0002] The growth in data transmitted over wireless and cable networks has been driving consolidation of broadband operators, and creating a highly competitive global broadband service provision market. “Broadband operator” refers to an operator of a high-speed network that offers data transfer services over one or more types of networks (e.g.: mobile networks and other wireless networks, wired networks, or a combination of both). “Broadband service” includes content delivered over a network; the network may be wired, wireless, cable, DSL, or other digital communication systems, or any combination thereof.

[0003] Telephone, cable, satellite, and mobile network operators (collectively, “operators”) are evolving and becoming broadband service providers (referred to herein as “service providers”). Triple or quad operators means operators that provide three or four services, such as residential Internet service, residential phone service, residential television, and mobile data services, which may in turn, include voice, Internet, and television. Data usage over both wireless, DSL and cable networks around the world is growing. Service providers may grow revenue by offering users a variety of services, and by reducing the cost of their network operation centers (“NOCs”) and the cost of their data links. Today, service providers are offering more services and applications, requiring larger NOCs, which in turn translates to higher operating costs for the service providers and therefore lower average revenue per user (“ARPU”). Service providers are looking for solutions that allow them to run smaller NOCs, offer services suited to users’ profiles and the type of device that the user is using at the time (e.g.: television (“TV”), laptop computer, desktop computer, pads, eReaders, or smartphone).

[0004] Today, service providers can often identify where users are located, but it is difficult to know what type of content users want based on their *context*. “Context” includes information about the nature of the user and content, including: information that refers to the user’s location; the type of device the user is using to access the network; the level of connectivity access the user has; the user state, which includes information such as whether the user is connected to the network using a mobile or wired connection; whether the user is accessing the network from home or while traveling (e.g.: on vacation or on a business trip); to which networks the user is connected; and the user’s interests and history.

[0005] User demand for accessing media-rich content in real time is growing; concurrently, the types of devices that are used to view such media-rich content are also growing. Broadband networks resulted from the migration of multiple networks, each having different characteristics and operating as silo networks wherein devices, applications, and networks are tightly coupled. Typical broadband networks are designed based on the assumption that user devices used to access content are dumb terminals with little ability to run rich multimedia applications. Typical broadband networks were also designed under the assumption that traffic growth will remain linear, which has been an underestimate.

[0006] Conventional solutions to satisfying user demands for delivery of rich multimedia content in real-time has centered on a “core-centric” approach in which a centralized server resides within a NOC for each different type of network; an exemplary “core-centric” network 100 is depicted in Figure 1. This means that if a service provider is operating broadband networks to deliver TV content, residential Internet content and cellular phone content to specific user devices, then such service providers would use three different NOCs, TV NOC 250, Internet NOC 350 and cellular NOC 450, respectively. Each is directed to a particular type of user device, which usually do not share networks or content, for example, the user’s laptop computer cannot use the cellular phone’s cellular network to access content. Likewise the cellular phone cannot access the cable network.

[0007] In such a model, a service provider uses software and servers that offer functionality such as determining the automatic bit rate (“ABR”), providing content inspections, and providing personalization engines that are installed within each NOC. Challenges arise when employing

these approaches and serving large numbers, e.g. millions, of users; shortcomings associated with these approaches include scalability issues, accuracy issues, and synchronization of collected information. As depicted in Figure 1 a triple and quad player operator is managing multiple NOCs 250, 350 and 450, and within each NOC is run the same set of services including video transcoding and transrating engines, content reformatting, caching and proxy services.

[0008] Three changes are simultaneously occurring with respect to broadband networks. The first relates to digital content. The amount of content available on the Internet is overwhelming for end users, even very technically savvy users, and the amount of content is still growing exponentially. Market research reports indicate that the marketplace of digital content is expected to grow to \$130 billion worldwide by 2011. This includes on-demand digital video streaming, television services such as video on demand (“VoD”), subscription video on demand (“SVoD”) and pay-per-view (“PPV”). Also included in this market is on-line video advertising, Internet protocol television (“IPTV”) and mobile TV. References to “television” or “TV” herein shall refer to any of the above listed streaming video services.

[0009] The second relates to the effect of a new generation of users and their needs. These new users (often referred to as “Millennials”), represent the most populous generation that has ever lived on this planet. They tend to be technology-centric, and both dependent on and aware of technology. On average, each spends over \$100 per week on technology-oriented products and services and directly influences over 80% of the spending in the home. This is the generation that wants the right information suited to their needs and context, delivered in the least amount of time. This group of users are socially connected through their mobile phone, laptop and desktop computers, and are the driving force behind enabling connectivity through TV. This generation wants to have personalized content; namely, content that is available on their own terms rather than on the terms of service providers and operators. This is the generation that does not want to be bound to a particular location or device to access specific content. They like to be able to watch TV content on any device and location within and outside of the home and not just on a TV display. They also want to be able to access Internet content and/or social networking services such as Twitter on their TV display while watching TV. They are not only content consumers but also content generators and distributors.

[00010] The third relates to advancements in technology, and particularly advancements in customer premises equipment (“CPE”). A household often no longer just has a single TV display and a PC but may have multiple laptops and PCs, along with TV displays and mobile devices, such as smart phones, cellular phones, video game devices, net books, electronic reading tools (“eReaders”), pads, and portable music and video players, that are used in or outside of their homes (collectively, referred to herein as “user devices”). Additionally, users often have access to other user devices such as home residential gateways, set-top-boxes, routers, Wi-Fi access points and other networking equipment, and the use and availability of such equipment is growing rapidly. These changes mean that content is no longer created, controlled and distributed by a specific organization, such as service providers, but instead content can be produced by anyone within a network and either pushed to, or requested by, anyone within the network. Such content includes place shifted video content, multimedia streams, and personal digital content. Therefore, a centralized approach wherein content is always produced by a selected entity and then distributed to subscribers will no longer be effective due to variation between user interests, and because many users wish to play a more active role in generating content. Additionally, to centralize all content being created for distribution also will not be effective due to the heavy network traffic that would result from distributing such content.

[00011] Shortcomings associated with the prior art include:

1. Pre-formatted content storage any types of device

Users’ content preferences are very different, when, for example, they are outside of home, than when they are in front of their big TV screen. Deciding on storing the type of content for possible access from outside of home is therefore difficult. Also keeping multiple formats suitable for all potential user devices that may be used to experience the content is not efficient. Typical user devices renew and update data displays very quickly and therefore repeatedly mining data and archiving different formats for possible access by different user devices is cumbersome, costly and inefficient.

2. Content Inspection

The data traffic path for the user is not always the same. The purpose of content inspection is to identify the user's interests. However, the user's interest is best determined based on user habits over a period of time and not solely based on a snapshot of the user's current content usage. Distributing content inspection over multiple network nodes provides a snapshot of the user's current usage based only on the current traffic flow. Storing all traffic flows, determining the user identity, synchronizing the information for a post content inspection process in order to inspect usage over a longer period of time requires large amounts of storage, and extensive processing time. This is highly costly and inefficient. Conventional means allow the type of content the user is looking at any given moment in time to be determined, rather than a long term view. Consequently, the real preferences of the user under different conditions cannot be predicted accurately.

[00012] In the prior art, a CPE only facilitates providing CPE specific and vertical functions, e.g. a CPE that only provides Set-Top-Box functionality or a CPE that provides Internet connectivity functionality. Furthermore, in conventional methods the CPE has no role in content distribution functionality among subscribers while they are at home or outside using different methods of connectivity and in delivering content concurrently to different devices and/or users in parallel.

[00013] Accordingly, there exists a need for a method and system that improves on the deficiencies of the prior art.

#### SUMMARY OF THE INVENTION

[00014] The system and method according to the invention includes a gateway (also referred to herein as a "serving node" or "debox"), to which user devices are registered and which serves as an intermediary between such registered user devices and content.

[00015] The system and method according to the invention includes a gateway having a control manager and a streaming server.

[00016] The control manager is responsible for registration of user devices with the box, including information about the capabilities and limitations of such device, and the users with whom the device is associated.



[00017] The control manager maintains usage logs for each user device. These logs can be used to improve Quality of Service (QoS) by determining when errors or poor performance occurs and taking steps to improve the quality (for example by increasing the buffer for streaming video).

[00018] The control manager acts as a message broker between user devices when one is used to interact with or access content on the other.

[00019] The control manager also manages the TV tuners included as part of the gateway. Such tuners, and associated EPG information, are set to the appropriate channel and output to the appropriate user device by sending a request to the streaming server.

[00020] The streaming server handles several duties. It opens the port to the TV tuner, and handles the Electronic Program Guide (EPG), and modifies the format of content to the type of user device requesting the signal.

[00021] The streaming server also sets and monitors the quality of signal based on the size of the display. The streaming server controls the size of the buffer needed based on the limitations of the device, its processor, the size of the display and the signal. Past user experiences with the device may be taken into account.

[00022] The streaming server thus can adapt to learned limitations of a user device to improve experience and can handle resolution changes and needs

[00023] When a user device is receiving Internet content, the streaming server can send a link to the user device to the content and play no other role. Alternatively, if the user device is local to the streaming server, the gateway can receive the content and adapt it for the user device.

[00024] The streaming server uses a transcoder to convert content from one format to another. The transcoder provides both a coding and decoding process. It receives input, decodes it, and codes it again as needed by the user device.

[00025] The gateway is able to authenticate users and user devices. Limits on use may be in place (for example limits on a user's ability to access certain web sites or channels). A single sign on (SSO) and backend gateway system may be used.

[00026] The authentication process can be used for local filtering so as not to display certain scenes displaying objectionable material (such as violence/sex) based on ratings of content (which may be scene by scene or a larger piece of content, like a show or movie). This can also be used to handle parental controls such as limit use to certain hours of the day or an overall limit on usage per day.

[00027] On use of the system is to take advantage of the connection between the user device and the gateway, which occurs even if the user device is distant from the gateway (e.g. outside of Wi-Fi range). This allows a user device to receive ads based on past users experiences, like browsing history, not available when logging in directly to a distant network.

#### BRIEF DESCRIPTION OF THE FIGURES

[00028] Figure 1 is a block diagram illustrating a prior art network services a number of user devices with both wireless and wired (landline) connections.

[00029] . Figure 2 is a block diagram showing the gateway in communication with a variety of user devices at a variety of homes.

[00030] Figure 3 is a block diagram showing the gateway acting as a hub in communication with a number of user devices.

[00031] Figure 4 is a state diagram showing communications between the gateway, a user device and content sources.

[00032] Figure 5 is a block diagram of an embodiment of a gateway according to the invention.

[00033] Figure 6 shows an example tree.

[00034] Figure 7 shows the data analysis steps used in user characterization.

[00035] Figure 8 illustrates the filter application applied to a preprocessor.

[00036] Figure 9 is a block diagram showing the relationship between the application manager and applications.

- [00037] Figure 10 shows the position of the application manager inside the gateway's software architecture.
- [00038] Figure 11 is a state transition diagram showing the application manager with the power on.
- [00039] Figure 12 is a state transition diagram showing the application manager with the power off.
- [00040] Figure 13 is a state transition diagram showing the application manager processing a channel change.
- [00041] Figure 14 shows the show the high level architecture and interfaces of gateway.
- [00042] Figure 15 shows the relationship between selected modules within gateway 150.
- [00043] Figure 16 shows a high level view of the communication within gateway 150 and the service provider data center.
- [00044] Figure 17 shows the high-level software architecture of the gateway.
- [00045] Figure 18 shows the basic workflow of the Gateway.
- [00046] Figure 19 shows an overview of Gateway services, and the interaction with other applications.
- [00047] Figure 20 shows a block diagram of the rStreamer service.
- [00048] Figure 21 is a flow chart showing the content inspection process.
- [00049] Figure 22 is a block diagram showing content delivery optimization.
- [00050] Figure 23 is a block diagram showing communications with the database.
- [00051] Figure 24 illustrates screenshots for showing video on multiple user devices simultaneously.

## DETAILED DESCRIPTION

### 1. Introduction

[00052] The embodiments described herein are directed at creating a network (or “micro-cloud”) of service nodes, referred to as gateways 150, with each gateway being a configured CPE for servicing a home or other residential unit (such as a dorm room or apartment), as seen in Figure 2. Each gateway acts as one node within a content distribution network (“CDN” 15), and is used to forward content to one or more user devices 180 that are registered to use that particular gateway 150. The CDN 15 formed by the gateways 150 and by the user devices 180 registered to each gateway 150 constitute a local area network. Gateways 150 are able to communicate with each other throughout the network, either directly, or through server 325.

[00053] As seen in Figure 3, gateway 150 may have the base functionality of a conventional set top box and is also the service provider’s controlled node that can run applications for users registered at the premises served by gateway 150. For example, as shown in Figure 3, gateway 150 is connected to TV 180t, mobile phone 180p, laptop 180l and personal computer 180c. Gateway 150 may be in communication with a set top box 180s connected to a user device 180, such as TV 180t, that functions as a slave unit. Gateway 150, depending on the users’ connectivity (for example, if the user can connect to the CDN 15 through a wireless connection that is faster than the user’s current wired connection, gateway 150 will transmit data through the wireless connection), retrieves content for the user devices and provides usage information to the operators. In Figure 3, wired connections are shown in solid lines and wireless in broken lines. This architecture eliminates the need to run costly NOCs, and allows users to access data of many types, such as multimedia messaging, wireless VoIP, streaming video, video telephony, corporate applications, email, and wireless gaming.

### 2. Gateway Components

[00054] Gateway 150, as shown in Figure 4 includes streaming server and control manager.

[00055] As shown in Figure 5, each gateway 150 includes processor 155 that executes software, including a variety of software modules, some of which are described below. The

processor 155 is coupled to memory 156 in the form of both permanent (flash memory or hard disk storage) and volatile stores (random access memory). Database 165 is typically stored in memory 156. The operating system of the gateway 150 and the various modules described below are stored in the permanent memory storage such that gateway 150 can be powered on and off without having its software erased. During execution, parts or all of the software stored in the permanent memory store of the gateway 150 are copied into the volatile store where it is executed by the processor. gateway 150 also includes network communication modules 157, such as Wi-Fi port 157w, a DLNA port, Bluetooth port 157b, USB port 157u, cable modem port 157c, femtocell port 157f, and Ethernet port 157e (and may include several Ethernet ports), DSL modem port 157d, speaker 158, and control interface 159 (with an IR interface, and optionally, selectable buttons for use by users), that are in communication with processor 155 and that are used to send and receive content, as described in more detail below. A WiMax port may also be included. Gateway 150 also has video output 152, and may have several video and audio outputs (e.g. Svideo, composite, component, HDMI, optical, etc.). Gateway 150 also has a power supply 153, and is typically plugged into a nearby outlet to receive power, and a plurality of TV-tuners 154.

[00056] TV-tuners 154 accept RF band cable or antenna TV analog or digital input. Preferably four or more TV-tuners 154 are present and they support VOD and EPG (meaning QPSK demodulation is required). TV-tuners 154 may support satellite TV.

[00057] Ethernet port 157e enables a standard interface connection to the home IP LAN for media content sharing between gateway 150 and user devices 180. Ethernet port 157e operates as a router and preferably at least four (10M/100M) ports are available. The Ethernet ports 157e providing routing, NAT, DHCP and DNS forwarding and support all IP device connections, such as network printers and VoIP phones.

[00058] Video formats supported by gateway 150 include Svideo, composite, component, HDMI, MPEG-1, MPEG-2, MPEG-4 (H264, DivX, Xvid and Nero Digital), Sorenson (used by flv and quicktime), WMV (Windows Media Video), VC1 (WMV 9 based, Blue Ray, HD-DVD), RealVideo, DivX, Xvid, FFmpeg and 3ivx (a different implement of mpeg4 part 2).

[00059] Audio formats supported by gateway 150 should include 7.1 Dolby Digital (A/52, AC3); stereo, DTS Coherent Acoustics (DTS, Digital Theatre System Coherent Acoustics); MP1, MP2, MP3; AAC (MPRG-2 Part 7 and MPEG-4 Part3) and Linear Pulse Code Modulation (LPCM, generally only described as PCM)

[00060] Wi-Fi port 157w should support 802.11b/802.11g and other features such as security (WEP, WPA, and WPA2). Gateway 150 will serve as a Wi-Fi access point. A web interface should be provided to configure the Wi-Fi including set-up, maintenance and trouble shooting.

[00061] Bluetooth port 157b may support Bluetooth 2.0 and keyboard and mouse features. Human Interface Device (HID) may also be supported as could be a mobile phone connection or headsets.

[00062] USB ports 157u enables gateway 150 to host a connection to user devices 180 or peripheral devices. USB 2.0 may be supported and at least two USB ports 157u should be available. USB ports can be used to support devices such as digital cameras, digital camcorders, USB Hard drives, USB Flash memory, portable Blue Ray or DVD drives, GPS systems and the like.

[00063] Keyboard and mouse connections may be supported via USB ports or Bluetooth.

[00064] Gateway 150 may be provided in a form fitting case 38 to fit on a typical TV shelf, and may be sized comparably to other and video components such as a Blue Ray player or amplifier. The front panel 210 of case 38 includes reset button 200 (optionally reset button may also be, or alternatively be, a software function). Front panel 210 also includes switches (Power On/Off) 220, LED indicators 230 to display status, LCD Display 240 for information, such as time, display (Digits, Icons) and an IR window 250 for receiving input from remote controls. The ports and connectors noted previously may be placed on the back panel of case 38.

[00065] In operation gateway 150 will typically have a power input of about 100-240 V AC 50/60Hz, and a power consumption of about 20W. Gateway 150 should be operable in temperatures from 32 to 105°F (0 to 40°C) during normal operation.

### 3. The Software:

[00066] The software within gateway 150 should have the capability of receiving TV input and regular Internet content in all supporting protocol levels, provide regular VoIP services, and support connectivity functions including Ethernet (including when the connectivity is initiated from cellular access), WLAN, DLNA and FemtoCell.

[00067] Basic software services refer to a set of software services that are fundamental building blocks for the rest of the software services. The basic software services are a set of software engines which would either provide a service and/or the information necessary for enabling delivery of other applications. For example, streaming TV content and providing transcoding to a user mobile device is a service, whilst profiling a customer in terms of their interest in content, and usage patterns, is a function enabling a personalized advertisement insertion service. The basic software services are described as software “engines”, as shown in Figure 6 which perform the functions to provide the service.

[00068] The Activation Engine 200 is responsible for activate certain services that gateway 150 is authorized to serve to users. Such services include:

- a. TV → Enabled/Disabled Channels and bundles that users are authorized to view
- b. Internet → Enabled/Disabled
- c. VoIP → Enabled/Disabled
- d. Network connectivity → Enabled/Disabled (means for a remote reset, configuration and troubleshooting)

[00069] Activation engine 200 is responsible for registering users, devices and services to which users have subscribed. The input parameters for activating D-Box may be through a set of web interfaces. This interface should follow the existing operator’s activation flow. A master interface defines the activation fields and account setup. The activation engine runs on D-Box while the activation field operates and runs by first the customer service and then by the end-user after the activation is enabled, for example for activities such as device registration and/or even activities such as parental control per device.

[00070] Users may have more than one gateway 150 per household, for example to take advantage of more hard disk space or TV tuners. In such a case, the gateways will function in a master-slave arrangement.

[00071] The Authentication, Authorization and Accounting Engine (AAA-E) 210 is responsible for providing the authentication and authorizations of the gateway 150 registered users based on their subscription. The authentication process must follow the broadband operator's authorization process. This typically includes combining device\_ID (an identifier associated with a user device), username, password, IMEI number or other information. The user must be distinguished from the user device that is being used. For example, a registered wireless data card may be used by two different users at the gateway site. While the card is the same, or even the laptop is the same, the users may be different. Therefore a combination of wireless network card, device id, and username and password is required to identify and distinguish the users and therefore their preference and their subscription to a service. The accounting engine is also responsible for some of the billing and audit services. It also keeps track of service usage based on the subscription. The subscription could be based on any combination; examples include: accessing TV only; Internet only; limited number of user device access; limited access means; Ethernet, WI-Fi, FemtoCell, and/or cellular along with other service subscriptions. Any service provider accounting function may be included in Authentication, Authorization and Accounting Engine 210.

[00072] The User Characteristics Catalog Engine (UCC-E) 220 tracks information about registered users of user devices. Personalization is a process by which the content pushed to one user could completely be different from that pushed to another user. In order to be able to push personalized content to a user, gateway 150 must be able to characterize users' behavior. Characterization of users could start from user segmentation, which means that the user population is subdivided, into more or less homogeneous, mutually exclusive subsets of users who share common user profile characteristics enabling the possibility of providing them with a more personalized content. The ultimate objective of the User Characteristics Catalog engine 220 is to be able to characterize the user in terms of static and dynamic attributes of the user. Static attributes are those that do not change rapidly, for example gender, age, marital status and income status. Dynamic attributes are those which change more rapidly and which relate to the



sensitivity of each user toward their surrounding social events such as political, fashion, news and their location. The latter is a characteristic with a substantial impact on users' preference, as for example the content a user is interested in when the user is mobile using a small mobile user device is very different than the content that a user is interested in when they are using a larger screen user device.

[00073] The UCC-E 220 should work using a definition dictionary which could be updated, extended and modified as needed. For example, if a user was being characterized based on two parameters, a third parameter could be added or replaced by one or both parameters and the characterization should be continued based on the new definition dictionary. UCC-E 220 should incorporate an artificial intelligent model whereby it continues learning about users' behavior and usage patterns over time, and therefore be able to produce much more accurate characterization of the user.

[00074] The User Tracking Engine (UT-E) 230 contains the information about the active user session's user device, identity, time, date, activity and duration, context, location, and the network connectivity and the proximity to gateway 150, which is provided by routing measurement functionality in UT-E 230 to determine the optimum path for data transfer and closest content access. This function may be performed with a client agent on the user device or other means of measurements using lower protocols to avoid client software on the device. UT-E 230 also maintains information about accessed content, including TV channels, PVR use, VoD, internet sites, and even the type of content (e.g. video, text and/or mixed). UCC-E 230 uses this information as a set of parameters in order to characterize the users. The history of UT-E 230 is used by UCC-E 220. User tracking may be configurable, for example, user device ON/OFF; TV activities only; Internet activities only; or video activities only.

[00075] Content Personalization Engine CP-E 240 uses UCC-E 220 and UT-E 230. CP-E 240 uses an automatic intelligent search engine that finds matched content for the user. The CP-E may be a software engine within gateway 150 or may be an external service engine provided by the service provider.

[00076] An internal CP-E 240 resides within gateway 150 and interfaces with both UCC-E 220 and UT-E 230. CP-E 240 automatically searches the web and content producers

and distributors on behalf of each registered user of gateway 150. The CP-E 240 indexes the content and has the content prepared for the user.

[00077] An external CP-E 240 may be a large personalization server on the service provider network for content distribution, for example from advertising companies with relationship with the operator. This external CP-E 240 receives information from the UCC-E 220 and UT-E 230 (through common and single interfaces). The CP-E 240 then matches the content, in this case advertisements, and pushes it to gateway 150.

[00078] In a combined model, the internal CP-E 240 could be considered as an agent of an external CP-E 240. In this case the internal CP-E 240 supports the external CP-E interface. Internal CP-E 240 receives information from the UCC-E 220 and UT-E 230 and communicates with external CP-E 240 for receiving the matched content. External CP-E 240 may locate matching content from the other gateway 150 users in different households that share the same interest and are within the same social community authorized by the users. The external CP-E 240 could be a global service that interfaces with many content distributors for finding matched content.

[00079] The decision making rule of the internal CP-E 240 should be based on a configurable set of rules which could be updated and modified remotely.

[00080] Intelligent Search Engine (IS-E) 250 is an automatic search engine which fetches the users requested information and searches and compiles the information on behalf of the user. For example, if a user is traveling to Las Vegas and inputs its trip itinerary to IS-E 250, IS-E 250 will find the location of restaurants, car rental agencies, place to visit based on the proximity, interest and time line of the user. The IS-E 250 collaborates with the ICT-E 270 (described below) to transcode and arrange the content to meet the user's profile.

[00081] TV Transcoding Engine (TVT-E) 260 is responsible for transcoding a stream to the user based on characteristics of the user collected by UT-E 230. TVT-E 260 is therefore one of the users of UT-E 230 and also interfaces with the TV receiver. TVT-E 260 must transcode and rate shape the stream to meet the user's particular user device, access network type, speed and proximity to gateway 150 (both in distance and/or number of hubs). TVT-E 260

is able to stream the live received TV feed per channel to each user device, and both a PVR stream and VoD stream. The latter may require the appropriate subscriber package. As an example if a user has purchased a VoD service, the user may only be allowed to watch on any of his/her user devices for a period of 24hrs, or on just on a single device at a time. If the user may watch a portion of the movie on one user device and another portion on a second user device then TVT-E 260 tracks the used content and the content usage policy and subscription. A similar process may be used for PVR content.

[00082] For the purpose of digital right management, there may be client software on mobile phone and computer user devices which remove content proportionally as the user plays the content in case of PVR-d and VoD content which is being viewed. The policy of DRM is an additional layer over the top of all engines which decides on the sharing mechanism of digitally protected content. Note that for the DRM purposes it may be useful to have software installed on the client side.

[00083] Internet Content Transcoding Engine (ICT-E) 270 is a service provider as the TVT-E 260, but ICT-E 270 transcodes internet traffic. ICT-E 270 also uses UT-E 230 and provides the content transcoding to the user based on their current user device, software running on the user device, network type, speed, location and proximity.

[00084] TV/Internet Content Mix Engine (TVIC-E) 280 is responsible for mixing Internet based content with TV content. TVIC-E 280 fetches and receives the content which needs to be displayed on TV as the user watches the TV. This engine has a GUI engine that communicates with ICT-E 270 and TVT-E 260 and TVIC-E 280 has the task to select the format of the content for display based on the user device and preferences.

[00085] Content Sharing Engine (CS-E) 290 is responsible for sharing user content amongst other users. CS-E 290 uses UT-E 230 to determine the current user's profile and if necessary uses ICT-E 270 for transcoding the content.

[00086] Master Security Engine (MS-E) 300 is responsible for security related to gateway 150, including intrusion detection, authenticating users, authenticating any access and transactions with outside sources, and encryption/decryption of streams.

[00087] Peer-to-Peer Engine (PtP-E) 310 is a service.

[00088] Proximity Engine (P-E) 320 is responsible for measuring the proximity of a mobile user device to gateway 150. This includes the number of hubs to the user device. P-E 320 is also responsible for identifying the best and shortest path to the mobile user device. P-E 320 will also use the geographic location of the user device which is sent to gateway 150. Optionally, client software may be installed on the user device to communicate with P-E 320.

[00089] Thus the transcoding of TV/Video content varies depending on the user device, taking into account of devices' physical and performance constraints such as screen size, CPU, memory size, and audio/video codecs. Furthermore, video stream content is transrated and rate shaped in light of the user device, access network type, speed and proximity to Gateway 150 (how far and/or how many hubs to the user).

[00090] Transcoding is used when gateway 150 reformats content during TV broadcasting, TV Streaming, TV peer to peer, TV tuner sharing to other user devices via Ethernet, Wi-Fi or Bluetooth. It is also used when content is being transferred from gateway 150 to user devices. For example, if video content is transferred from gateway 150 to mobile phone, gateway 150 first transcodes and then transfers. The transcoding and transrating process should be invisible to a user.

[00091] Gateway 150 provides an interface that allows users to transcode and save their contents in different formats; making it cross-device transferable. The interface will be called from each user account. It can be started and stopped at any time based on availability of Gateway 150 resources. It can convert the content and save it on Gateway 150 hard drive for further transfer.

[00092] Gateway 150 also reformats Internet content for the user device, by using content inspection, understanding the HTML content, downloading the content, and converting it to the appropriate format. Gateway 150 can combine content for the TV display and Internet, by fetching and receiving internet content, transcoding the content to the most suitable format for TV display, and mixing up with TV content; and displaying both on TV. A split screen may be

used for multiple purposes e.g. widgets, advertising, menus, keyboard, game, or Internet browsing.

[00093] User owned content may be shared between user devices. There are web portal service providers and social networking service providers which allows users to create accounts and share their own contents with other users within their network. This service should support the interface to the operator's selected provider of such service for the content access. Also user tracking information to determine the current user's access profile should be considered and transcoding completed if necessary.

## SOFTWARE FUNCTIONS

[00094] Gateway 150 allows content sharing and saving amongst registered user devices, such as TV displays, laptops, PCs, mobile phone devices and gaming consoles. Gateway 150 can act as a storage device to save content. Gateway 150 also allows file transfer between user devices via Ethernet, WI-Fi or Bluetooth connections. For example, files may be transferred from a PC to gateway 150 or from gateway 150 to a PC; or to or from a mobile phone to gateway 150. Files may be uploaded or downloaded to gateway 150 from the Internet.

[00095] Content files may be transferred between gateway 150 and USB devices. For example, gateway 150 can be used to store personal digital media contents from digital cameras or iPods (image or MP3 files) onto gateway 150's hard drive. Gateway 150 can then be used to organize the content, for example, by managing images, creating playlists and modifying properties, such as the format, of the saved content.

[00096] Gateway 150 may use auto detection with certain user devices. In this case, the user will be prompted to provide certain parameters such as user account, location and content management parameters, and then the transfer begins.

[00097] Alternatively, the user can specify when files are to be transferred. In this case, the user selects files to import and is shown a set of icons representing different types of content. The user selects the appropriate icon, is then asked to connect the user device. The user connects the device, sets the parameters for the transfer and the transfer begins.

[00098] A user is able to view, modify and play saved media content on the hard drive of gateway 150. Options could include creating a slideshow, creating a playlist, managing images, playing a music library of a user device connected to gateway 150, modifying properties of the content, or organizing the content.

[00099] Gateway 150 has an auxiliary port that allows connection of external hard drive and an on-screen interface facilitating the file transfer. The hard drive can be connected and called by any user. It can be used at any time and is user based. The interface allows the user to store allowed contents. The external hard drive may be auto partitioned based on number of users of gateway 150. Users can also modify properties of the external drive; organize the contents thereof; and use applications to create photo albums, music libraries, and video libraries.

[000100] Gateway 150 may also have an auxiliary port that allows connection of an external home theatre audio system. It can be connected and called by any user. It can be used at any time.

[000101] Gateway 150 may also have an auxiliary port that allows connection of external DVD player. It can be connected and called by any user. It can be used at any time.

[000102] Gateway 150 also may have a set of auxiliary ports that allow connection of user devices 180 that are digital media sources, such as cameras, camcorders, iPods etc. An on-screen interface is available to facilitate managing the connected user device. The ports can be connected and called by any user and can be used at any time. The ports are user based and can be one way or two way connections. The user can transfer allowed content, play a music library of the connected user device, modify properties of the content on the connected user device, and organize content on the connected user device.

[000103] Gateway 150 has an internal Wi-Fi LAN router and an on-screen interface for basic and advance configurations. It can be configured by gateway 150 administrator and can be used at any time.

[000104] Gateway 150 has a digital display to provide basic instant information regarding gateway 150 status. The digital display includes a set of LEDs and digital characters,

and displays On/Off status; Recording/Replay Status; Current Channel Number; any pre-set alerts and the current time.

[000105] Gateway 150 has a pre-set interface that allows insertion of account information and instant connection to satellite radio providers such as XM or Sirius Radio. It can be called by any user and can be used at any time. The user inputs an account setting and gateway 150 connects to radio account center, allows channel changing and can transfer the signal to other registered and capable user devices connected to gateway 150.

[000106] Gateway 150 can display an on-screen full keyboard on a user device. It can be called by any user and used at any time. It allows users to imitate typing action and type text commands for gateway 150. It can be used for searching, and can be toggled between a full keyboard and a phone pad keyboard.

[000107] Adapted versions of the user interface for a PC or a mobile phone can be used through gateway 150 and display on different user devices. The interface can be called by any user and used at any time.

[000108] Gateway 150 may be able to allow users to store content on extended online storage provided by the operator. Such storage access can be connected and called by any user and used at any time. It requires an Internet connection and can use a FTP account or HTML or Flash GUI.

[000109] Gateway 150 includes a software engine to divide a TV display into different zones to view TV content, Internet browser and some widgets on TV display at the same time. It can be called by any user. It can be used at any time. It is user based. The engine can split the screen in 2, 3 or 4 zones. Each zone may be assigned to different user. Each zone may individually access the menu and receive commands. The engine can automatically fetch info regarding the in progress content from Internet and preview it in the browser inside the assigned zone and it can enable users to access other viewers' feedback and ratings regarding any targeted or in progress content in an assigned zone.

[000110] Gateway 150 may be used for accessing personal messages, including emails, text messages, and allows users to twit and stream access to Twitter accounts. Similarly,

gateway 150 can be used for accessing social networking profiles and allows users to access their preferred social networking accounts and display them on registered user devices.

[000111] Gateway 150 can also be used for sharing content, as users can share their digital content, such as digital images, videos or recorded TV, with other users, including users of different gateway 150 devices.

[000112] Gateway 150 also has several other software services available to users, including email services (serving registered user accounts); virus protection (servicing registered user devices); Internet favorite synchronization; and mobile keyboard mapping to TV which allows users to use their mobile devices (iPhone soft key or windows mobile hard key) in same fashion as if they had a full keyboard in front of TV, i.e. the mobile user device is used as the keyboard for accessing Internet on the TV display.

[000113] Gateway 150 can also provide Peer-to-Peer services, interface with a Webcam to allow users to use the webcam for video capture, monitoring and video chatting and remote control services, which allow users to use their mobile phone as a remote control for gateway 150 through a browser interface.

[000114] Gateway 150 includes software to perform a number of maintenance tasks, including: Auto Defragmentation, for periodic automatic disk check and defragmentation; Backup and Resource Center, available online or included with gateway 150 to auto-backup vital user settings; Interactive Help Center, which is an interactive online library of resources to help users find their way around features and issues; and Remote Assistance, which allows users to contact a customer care representative via on-screen interface.

## **USER CONTENT CHARACTERIZATION**

[000115] UCC-E 220 operating in gateway 150 provides the advantage of characterizing users on the edge of the network for all users at single premise. Users at a single premise often have overlapping interests and that similarity assists in analyzing each user more accurately. This means that more accurate information can be provided to the operators about the users which allow the operators to take ownership of most user's most valuable information



from an advertising perspective; their characteristics, which would generate more revenue from the advertising industry.

[000116] User characterization is to analyze user's activities on Gateway 150 and to conclude user pattern so as to identify the content he/she is interested. It characterizes a user's interest and preference in his/her daily life through his/her activities using Gateway 150. Characterization is based on current condition and also historical data. The characterization model must continue to learn about users' behavior and usage patterns over time and therefore be able to produce more accurate characterization for the users. Characterization will be done on per user account basis

[000117] User Content Characterization Engine (UCC-E) 220 is one of the software engines within the middleware running on gateway 150. Gateway 150 handles the entire user's traffic flow through whether a user's mobile phone is connected through a cellular access point, or the user is at home, or is on an Internet cloud. Therefore gateway 150 can characterize a user over time and "learn" about each registered user at a premise gradually. To accomplish this characterization, gateway 150 must be aware of the context of the user. Context includes any information that can be used to characterize the situation of a user. As an example UCC-E 220 may characterize a user based on his/her location, the time, type of device, access network and a typical activities within that context (state). The context (state) of a user defines the type of activities.

[000118] Figure 5 shows a typical example tree providing information about the context of a user. UCC-E 220 is responsible for building the tree, which describes the user's context. Content Personalization Engine (CP-E) 240 will use these characteristics to find the content, which is most usable and is of interest to the user. To match the content CP-E 240 must distinguish the management, updates and matching of the content to reusable contents such as news, movie and advertisements. Both UCC-E 220 and CP-E 240 must be highly configurable in terms of algorithms, thresholds and weights.

[000119] UCC-E 220 is a service unto itself. UCC-E 220 also serves other engines, which need to know the user identity and context (state). Therefore UCC-E 220 is a service with an objective to characterize a user. User characteristics dynamically change. Some changes occur

suddenly and some more slowly. Therefore while UCC-E 220 determines the characteristics based on the current condition it also has to take into consideration the history of the user. Therefore both current condition and history are input to the UCC-E 220. Some social variables also impact the user characteristics. For example, an holiday event for two users within the same neighborhood could have different importance and effect. At the same time while someone is normally not interested in politics, but an event may temporarily change this, for example the 2008 US election for Canadian residents. This means that the periodic social events, such as holidays, and instant social events, such as election, are also inputs to the UCC-E 220. The end result output by UCC-E 220 varies according to all inputs.

[000120] Characterizing a user includes defining the content description which users use, such as title, keyword, category, time and location; the user description, such as user preferences and history; the user context description, such as time, location, activity, device profile, active network access profile; and the user description extension, such as gender, age and activities.

[000121] Over time, UCC-E 220 can detect a typical user session from an atypical user session. One way to detect the atypical session is to use Mahalanobis distance statistics in the user session space. Detecting the outliers (atypical) is important and valuable for cleaning the noisy user session history and avoids characterization based on random or false information. The user history is taken into account since if a session is typical it is happening in a regular and periodic model and an atypical session is no longer atypical but is a typical session should it have this pattern within a certain time, which is then characterized as such by UCC-E 220. UCC-E 220 should also detect a page request as a user action or a system or automatically generated web action, which categorizes content description as that which a user has viewed (pushed, or pulled).

[000122] The Characterizer Module tracks a user's browsing behavior down to individual mouse clicks such that advertisers, through gateway 150, can personalize their advertised content/products. This module should distinguish and analyze user data and the usage of such data.

[000123] The Data Analyzer module 400 distinguishes the types of data that user is accessing. As an example the data could be categorized in the following categories:

- **Content:** This is the real data that the site was designed to deliver and convey to the users. This type of data consists (usually) of the text and graphics.
- **Structure:** This is the data that describes the arrangement of the information within the page.
  - Intra-page structure information includes the arrangement of various HTML or XML tags with a given page. This can be represented as a tree structure, where the “html” tag becomes the root of the tree.
  - Inter-page structure information is hyper-links connecting one page to another.
- **State:** This is the data that defines the frequency at which the data changes, e.g. a breaking news headline vs. the full story of the headline
- **Usage:** This is the data that describes the pattern of usage of content, such as
  - IP addresses,
  - Page references, and
  - Date and time of access
  - User location
  - User device
  - User access network

[000124] Since the data is being analyzed on gateway 150, the performance of the information transfer and content value could be collected at the same time, such as the time which user spend on each page or even viewing the content. Note that “D-Box” in this acts like a proxy since it is the point of contact for all users within the premise. Higher performance could be realized by ability to predict the future page requests correctly and accurately.

[000125] UCC-E 220 uses a data processor for preprocessing, pattern discovery and pattern analysis. As shown in Figure 7, in order to discover patterns, the data retrieved needs to be processed. Preprocessing includes converting the content, structure, state and usage information into a data abstraction that is used for pattern discovery.

[000126] Usage preprocessing is used to distinguish user sessions from server sessions. Therefore first the user is distinguished from: another user that uses the same device; the same user that is using a different browser; and the same user that is using a different device and network.

[000127] The next step is then to identify the user's usage by obtaining a request that was generated from the user, or automatically generated, as a link within a page. Table 1 is an example of such usage.

TABLE 1

Rec #	Dev_IP	Time	Device Type	Net Type	Method/URL /Protocol	Statu	Size (e)	Action by	Server IP	Browser Type
1	127.0.1.26	[dd/mm/YY: T:M:S:ms]	MotoQ M230	3G	"GET A.html HTTP/10"	200	4000	-	239.150.24.67	Java/3/2(Moto I)
2	127.0.1.26	[dd/mm/YY: T:M:S:ms]	MotoQ M230	3G	"GET B.html HTTP/10"	200	3050	A.html	239.0.24.67	Java/3/2(Moto I)
3	127.0.1.26	[dd/mm/YY: T:M:S:ms]	MotoQ M230	3G	"GET C.html HTTP/10"	200	5020	A.html	239.1.24.66	Java/3/2(Moto I)
4	127.0.1.26	[dd/mm/YY: T:M:S:ms]	MotoQ M230	3G	"GET D.html HTTP/10"	200	3080	-	239.150.24.67	Java/3/2(Moto I)

[000128] Content preprocessing classifies the content to different categories. The result of the content classifications is used to filter the input or the output to the pattern discovery. The page view could also be used to filter the sessions before or after pattern discovery. As an example once a pattern is discovered, then the classified material of the page view could be used to focus the result to a certain subject or class of product. Figure 8 illustrates the filter application applied to the preprocessor.

[000129] The preprocessor 410 thus classifies page views. The page views could be classified based on topics and/or intended use, such as blogs, news, social networking, academia, corporate, personal, shopping, non-profit and others. Page views convey this information

through text, graphic, and multimedia. The information on the page views must first be converted into a quantifiable format. Some version of a vector space model could be utilized to accomplish this. Keywords or text descriptions can be substituted for graphics or multimedia.

[000130] For the static page views, HTML/XML is parsed and reformatted based on an algorithm to break page content to categories suitable for preprocessing. When breaking down dynamic page views, first the dynamic sections are distinguished from the static sections. If the page is highly dynamic then it is broken down into sections based on the state of dynamic sections, e.g. a section could be highly dynamic while another one is semi-dynamic. An example of such content is when viewing a news description page the reading pane is static while the area around it is dynamically changing. Within the dynamic section some sections are highly dynamic and are automatically changing frequently while some sections are changing only if the page is refreshed by the reader. In fact these sections changing on refresh are the sections that are relying on user characteristics in order to push the personalized information. A given set of server sessions may only access a fraction of the page views possible for a large dynamic site. Also the content may be revised on a regular basis. The content of each page view to be preprocessed should be assembled, either by an HTTP request from a crawler, or a combination of template, script, and database access. If only the portions of page views that are accessed are preprocessed, the output of any classification or clustering algorithms may be skewed.

[000131] The structure of a site is created by the hypertext links between page views. The structure of a site and its preprocessing could follow the same model as content preprocessing described above. Once again there should be a different model on dynamic and static pages.

[000132] There are main parts in pattern discovery. The first part is based on the algorithms and methods used for the discovery. These algorithms could be based on a single or a combination of statistical analytics, pattern recognition, data mining, and machine learning.

[000133] Statistical techniques are used to gather information about the user visiting a site. This includes the frequency at which the user visits the site, the mean value for the time the user spends on the site, the average length of navigation path (from where user follow the content linked from one to another page) and others. These tools include statistical information such as

the most frequently accessed pages, average view time of a page or average length of a path through other links or identifying invalid URLs.

[000134] Association rule generation can be used to relate pages that are most often referenced together in a single server session. For example, if a user first visits a sporting equipment site and later visits an electronic equipment site then the association rule may reveal that the user should be interested in electronic sporting equipment.

[000135] Relation of the pages that user browses may reveal the user's interest in content which assist in clustering and associating and grouping the content based on user interest. Based on this information, dynamic links could be created to request on behalf of the user, content based on the user interest.

[000136] As discussed previously, once the content is discovered and classified in different categories, the result can be used to categorize the user. The classifier module will learn over time how to classify the user using AI algorithms such as decision tree classifiers, naïve Bayesian classifiers, k-nearest neighbor classifiers, Support Vector Machine or others.

[000137] The last step is Pattern analysis, which filters the irrelevant rules or patterns that was discovered through the discovery phase by using the raw content as above figure shows. The filters and rules could also be through configuration parameters or rule and/or policy engine. The most common form of pattern analysis consists of a knowledge query mechanism such as SQL. Another method is to load usage data into a data cube in order to perform OLAP operations. The content and structure information can be used to filter out patterns containing pages of a certain usage type, content type, or pages that match a certain hyperlink structure.

### GATEWAY FEATURES

[000138] Gateway 150 has the capability of receiving TV from IP, Cable and Satellite and is integrated with DSL modem capabilities, Wi-Fi and optional wireless 3G network connectivity. The integration of TV, DSL and Wi-Fi reduces the customer premise installation time and prevents the need for multiple trips to the customer premise for different installations. The intelligence resides within the software middleware. The middleware is based on a component software architecture that provides a series of gateway functionalities, additional to

standard STB and Modem features, and allows gateway 150 to function as an ASG (Application Serving Gateway). With this solution, users of gateway 150 become subscribers of the ASG. User devices; such as TVs, Mobile phones, laptops and PCs will all be registered to the ASG through an online portal during the gateway 150 activation process in a very simple process. To the end user, gateway 150 is an integrated Set Top Box that reduces their need for extra equipment and wiring requirements while delivering additional features and benefits that are part of the service differentiation offerings.

[000139] The system does not require installation of a client application on any of the user devices 180. All traffic is handled by Gateway 150 through an AI (Artificial Intelligent) engine that can distinguish and manage each user's traffic, under varying connectivity situations (device, network type, location, etc.). The approach distributes the CPU and memory requirements for millions of users out to the subscribers' premises, similar to a subnet, enabling faster and more accurate data processing.

[000140] Gateway 150 is able to receive live TV broadcast from (cable and IPTV) service provider including free channels and encrypted channels based on subscriber package. Gateway 150 understands the encryption algorithm used by service providers for such encrypted channels. Gateway 150 can also support PPV/VOD services from the service provider and can follow the subscription package to support the services and can differentiate PPV/VOD from a regular TV broadcast.

[000141] Gateway 150 can provide TV streaming to other user devices e.g. laptops, mobile phones. Gateway 150 is able to stream a live received TV feed per channel based on permission level to other users. Gateway 150 can transcode TV streams differently and automatically based on the user device receiving the stream, taking into account the user devices' physical and performance constraints such as screen size, CPU, memory size, and supported audio/video codecs. Gateway 150 has a transrating dynamic speed control to suit the network bandwidth during streaming.

[000142] Gateway 150 allows user watching a TV stream to resume playing from a previous stop point while streaming to user devices. A user can thus pause, play and go in

reverse for a live TV stream. For mobile phones and similar user devices, a hot key can be implemented.

[000143] Users can view live TV program and recorded TV/video contents on a TV display simultaneously. Gateway 150 supports pause, replay, rewind, and fast-forward functions for both live TV programs and recorded TV/Video content while watching on TV or on PC or mobile or handheld user device.

[000144] A user can play recorded content on a user device while available tuners are allocated for recording. Gateway 150 should have a buffer, for example a 60 minute buffer for time shifting (recording and playback) a TV program. This buffer should always contain the past 60 minutes of live TV content being watched. This buffer can be emptied when gateway 150 is turned off.

[000145] A user can also switch from a watched program from live TV (with time shifting buffering in progress), to a recorded TV or video content while the time shifting buffering continues, or to programs being recorded.

[000146] For TV streams using PPV and VOD services, the availability of the content is subject on the subscriber package. For example, if a user has purchased a VOD, the user may be allowed to watch the stream on any of his/her user devices for a period of 24hrs, or perhaps just on a single device at a time. The user may also be able to watch a portion of the content on a first user device and another portion on another user device. If this is the case, Gateway 150 must follow the user's device and track the used content and the content usage policy and subscription. Therefore gateway 150 is able to inspect the content and differentiate PPV/VOD streams from regular TV streams, allow conditional access and obtain information about the subscriber package from the service provider.

[000147] A users' service subscription is resident on servers controlled and managed by the service provider, Gateway 150 can communicate with such servers and obtain information about the users subscription to determine the services for Gateway 150 users.

[000148] Users can also use gateway 150 to watch TV streams wherever they are located with a registered user device, including PPV and VOD TV streams. Thus the local receiver



capacity (number of TV tuners) is no longer the limitation in receiving live TV contents. Gateway 150 is required to share the live TV/PPV/VOD contents with Gateway 150 users and the process is managed by service provider. A user is able to watch TV/PPV/VOD contents through other Gateway 150s in any geographic location. For example, assume User A only two TV tuners in his Gateway 150. Both tuners are already engaged in recording activities and user A would like to watch a live hockey game on channel X. User A subscribes this live hockey game program thru a PPV service. Service provider will search all Gateway 150 users and locate the closest Gateway 150 user who is watching the live hockey game on channel X, User B. The service provider will have user B's Gateway 150 share the content with user A's Gateway 150. In the case where user B switches to different channel, the service provider will locate another Gateway 150 to share contents with user A.

[000149] If gateway 150 has two tuners, then users could record TV programs through local TV tuners, and record a maximum of 2 TV programs including live TV/PPV/VOD at the same time while watching only one of the two programs in a given time. The users could play recorded content while both tuners are allocated to record by using Recording and Playback at the same time. Users could record one program and navigate through any other in-progress TV program. They could switch a watched program from live TV, to pre-recorded programs or to the programs being recorded.

[000150] The user has two ways to start recording a TV stream, "Quick" or "Programmed". For the Quick method, on any in progress content, the user presses Remote Control's Record Button or on any listed content in the EPG, the user highlights the program and presses the Remote Control's Record Button. Gateway 150 then starts recording the stream or for a future program sets the program in schedule to be recorded. When programming gateway 150 to record, the user selects record from an onscreen menu, and then follows the onscreen instructions including the option of selecting a program from the EPG. Recording options include time, extended time, auto deletion setting (per recording), user restriction for viewing, format/codecs for saving recording, and whether it is a recurring recording.

[000151] The user is able cancel a recording before the recording start or during recording. In the case of a schedule conflict of recording, priority will be given to user with higher priority

set by admin, and for users with the same priority setting, the first to set the recording has priority. Gateway 150 as an LED or message to indicate a show recording start or in progress. A warning will be provided if a user would like to switch channels during recording when both tuners are engaged. In this case, the recording should be stopped first before the channel switch is permitted. Gateway 150 maintains a personal library of recorded programming, accessed through content grid guide. Users can access right protection on recorded content, e.g. user A can normally view/play user B's recorded contents unless User B restricts it. Users can also record programs using a gateway 150 to which they are not registered. The service provider can have a second gateway 150 record a TV stream and send it to the first gateway 150.

[000152] Gateway 150 allows the recording of digital content from sources such as digital camcorders to be saved in original HD or standard formats on its hard drive. These viewing interfaces will be called from each user account. The recording and viewing of such files can be started and stopped at any time based on availability of Gateway 150 resources.

[000153] The user interface could be a direct interface with gateway 150 or use an Internet browser. In the case of a direct interface, the user can connect a digital camcorder to gateway 150, an interface appears indicating that a device is connected to the gateway 150, the user navigates through and sets parameters and starts recording and gateway 150 software automatically converts the content to a format suitable for replay on gateway 150 if needed. If using an Internet Browser, the user calls the gateway 150 interface and navigates to an "Other Recording" feature, an interface opens asking to connect the camcorder, the user connects the digital camcorder, PC, or Laptop and selects to start recording on interface, and the gateway 150 starts transcoding and transferring the content. Users should be prompted if hard drive is becoming full.

[000154] Gateway 150 can perform video playback, and can play recorded content at the same time both tuners are allocated to record other streams. Any user can replay saved video contents, subject to permissions regarding the content. The playback can be started and stopped at any time.

[000155] The video playback option allows users to access a saved contents list; browse the list and sort the list based on: original recording time; category of content; time of recording and

channel. The user can replay from the last second watched or replay partially watched saved video contents from the moment stopped.

[000156] The replay can be tagged at certain points by a user. The replay can be started directly from such tagged points. The user can access the saved tagged points, browse the points and preview screenshots. Gateway 150 also allows volume balance for each channel. The sound volume may be automatically adjusted based on pre-set specifications which may be based on the particular user separately. Gateway 150 can detect the audio quality and adjust the volume accordingly.

[000157] Gateway 150 also allows video streaming to user devices other than a TV, such as laptops, pads and smartphones. The user of the user device must have permission to view the content. The video stream may need to be transcoded by gateway 150, in a manner invisible to the user, based on the user device, taking into account the user devices' physical and performance constraints, such as screen size, CPU, memory size, and supported audio/video codecs. Gateway 150 transrates the content using a dynamic speed control to suit the network bandwidth during streaming. The user is able to resume playing from a previous stop point.

[000158] Gateway 150 saves the data of a TV stream in a cache in its original HD or standard format on hard drive. It can be accessed by a user at any time. The user can tag any point of the stream for future reference. The tagged point will automatically be saved and given a name, and a user may later modify the tags name, start and end point.

[000159] Gateway 150 includes multiple interfaces that allow saving digital contents from auxiliary user devices, such as digital camera or iPod (image or MP3 files) in a specific format suitable for replay on gateway 150. These interfaces will be called from each user account. They can be started and stopped at any time based on availability of gateway 150 resources. They allow users to record content and saving it on the gateway 150 hard drive, create a slideshow or playlist and manage images. Users may also delete saved content from the gateway 150 hard drive dependent on their permission to access the content.

[000160] Video playback on gateway 150 can be controlled using a TV remote, including adjustments for channel and volume. Gateway 150 will also be provided with a remote control.

[000161] Gateway 150 will provide users with a “content grid guide” which is an interface for previewing a TV guide (through the EPG) and the stored content, such as music, video files, and recordings on gateway 150. The content grid guide will serve as a TV preview using the EPG provided by the service provider. It may have various display modes including full screen, quarter, double, and a miniaturized version, such as a strip at the bottom of the screen. It may be accessed by different user devices including, computers, TVs, smart phones and pads. The user may scroll through in a variety of ways, including a fast scroll option (e.g. by day or page). The user may change preferences, such as color and font, and permissions using parental control features.

[000162] The content grid guide allows users to sort channels by certain criteria, such as channel number, program category and time. Users can access record and search (by name or category) functions. Users can also access information about a program (or for any file or content being played). Such information may be available from the EPG, and may also include recording status, remainder (time left in program or file), the rating and an image representing the content.

[000163] Gateway 150 may also be used to exert parental control over the ability of children to watch certain content, or to limit the time that they may view certain user devices (for example TV viewing hours may be limited from 7 pm to 9 pm), or the maximum amount of use per day. Users access a parental control interface and can select permissions based on parameters such as ratings, channels, programs or combinations of these. Likewise, controls can be established based on time per week or certain time periods. The parameters can also be based on particular user devices.

[000164] Gateway 150 is able to connect to the Internet through Ethernet or Wi-Fi. User devices can connect to the Internet through Gateway 150 via Wi-Fi. Gateway 150 thus functions as a web server to provide content (such as streaming videos).

[000165] Gateway 150 also allows files to be transferred between registered user devices. Gateway 150 can receive a file through the Internet, a user device, or another source, such as a USB device. Once on gateway 150, the content can be transferred, used to create a playlist, modified and organized.

[000166] Gateway 150 can auto detect devices connected to it, and allow the user to set parameters such as user account, location and content management parameters. Alternatively, the user can select to import files, and respond to prompts regarding connecting the device, and setting the parameters. Gateway 150 allows user to access saved content through user devices or directly through gateway 150 interface.

[000167] Gateway 150 can also be used for VoIP, either directly or through a user device. One use of gateway 150 is to allow VoIP to be used through a user device such as a smart phone, through the Internet access via gateway 150 or a PC.

[000168] Mobile devices can connect to gateway 150 when they are distant by using a web interface. Gateway 150 provides the appropriate transcoding and transrating.

[000169] Gateway 150 provides several basic services. For example, gateway 150 is configured to assist users through activation. Activation may proceed through a web interface, and should follow the service provider's activation flow. Customer service representatives from service provider may have an admin ability to overwrite configurations completed by users. Each gateway may have an associated "family" account with all administrative privileges.

[000170] Each user should create their own account (which may or may not be password protected) using the "family" account. The service provider may set a limit on the number of accounts. Each user account may be given different privileges, for example whether the account has admin privileges, password change rights, name change rights, or theme change rights. Each user may have their own profile, e.g. color, desktop, theme, font, font size. Typically, only an admin account will be able to do device registration. The "family" account can also be used to reset passwords, such as forgotten passwords, possibly including the "family" account password. Restrictions can be placed on accounts using the parental control options.

[000171] User devices are also registered with gateway 150. Multiple user devices may be assigned to a user account, and likewise, multiple user accounts may be associated with the same user device. Gateway 150 provides an interface to allow a user to connect a device based on the capabilities and parameters of the device. The service provider may wish to limit the type or

number of user devices that can connect to gateway 150. If a device is connecting to gateway 150 via a 3G network, gateway 150 is able to identify the device through the device's EG cookie.

[000172] Gateway 150 should authenticate and authorize users and their user devices when connecting to gateway 150. The user's service subscription must be used to determine the privileges of the user. The gateway 150 thus uses the user account and password, the user device, and the user's subscription.

[000173] Gateway 150 performs a TV and video content transcoding role. The transcoding is done automatically, taking into account the content, the user device, the bit rate and location of the user device, and other constraints such as memory available, processing power, screen size and audio and video codec available. The bit rate and transrating shape the video stream. Transcoding occurs whenever video content is shared or transmitted to user devices via the Ethernet or Bluetooth ports. Gateway 150 includes a user interface whereby a user can transcode and save content in different formats; making the content cross-device transferable. This interface will be called from each user account and can be started and stopped at any time based on availability of Gateway 150 resources. Once converted the content can be saved on a user device storage or on Gateway 150's hard drive. The interface generates a list of compatible registered user devices based on the content format selected.

[000174] Gateway 150 can thus reformat content, such as that found on the Internet, for different smart phones. Gateway 150 does this by inspecting the content, downloading it, and if necessary for the user device, converting it to a different format. In an embodiment of gateway 150, when a user downloads content, for example, a video, that the user device cannot play, the user is prompted with a note the video is unplayable on that device, and asking the user if they would like to convert. Alternatively, any content reformatting could be done seamlessly, invisible to the user.

[000175] Gateway 150 can display Internet content on a TV display and TV content on an Internet display, like a smart phone or laptop screen. In doing so, gateway 150 receives the content, transcodes it into the most suitable format for the receiving display. In such a manner, gateway 150 can provide a split screen TV display including both TV video and other content. The other content can include widgets, advertising, a menu, a keyboard, a game or Internet

browsing. A video call, audio call, or text chat interface may be included. Gateway 150 should support popular chat functions, such as MSN, Google Talk and Skype Chat. The display options may be limited and determined by the service provider, or by the user. Gateway 150 provides an interface whereby a user may split the TV display screen, for example by half, quarters (with each quarter displaying different content), or other combinations.

[000176] A user can use the user device displaying the TV content, for example a laptop, iPad or smartphone, to control the TV, for example change channels, pause the program, etc.

[000177] Gateway 150 may be configured to have interfaces with popular social networking or file sharing sites, such as Facebook and LinkedIn. Transcoding may be used to make these sites usable on user devices such as TV displays. User particulars, such as user names and passwords may be stored on Gateway 150.

[000178] Gateway 150 also tracks user activity, which can be used as input for UCC-E. Such tracked activity can include the time, the location (home, office, Wi-Fi spot, etc.), the type of user devices used, the network connectivity type (Wi-Fi, Bluetooth, Cellular, etc.), the activities and duration (TV, Internet, Video, content sharing, etc.), and the context, which includes TV content, such as TV channels, PPV, VOD, program category, or Internet, such as website visited and keyword monitoring. Gateway 150 can detect if a TV user device is on or off and can distinguish multiple users using the same device, for example if several users are watching different portions of a split TV screen.

[000179] Gateway 150 should be able to assist content provider in digital rights management. Client software on mobile user devices or smart phones may be used for this purpose, which can, for example, remove content as it is played in the case of PVRed or VOD content. The policy of DRM is an additional layer over the top of all engines which decides on the sharing mechanism of digitally protected content.

[000180] Gateway 150 should offer several security features for box access, communication of content amongst users, user access to data, intrusion detection, authenticating users and user devices and encryption/decryption of video streams.

[000181] Gateway 150 is able to measure the proximity of a user mobile device to gateway 150, including the number of hubs to the user device, as well as the user device's geographic location. Client software on a user device may be used for this purpose, or alternatively a low level protocol can be used.

[000182] Gateway 150 includes a graphical user interface (GUI) to interact with users and perform certain functions. Users may use the GUI to record TV content. The GUI allows scheduling future recording of TV content as single program or a TV series. It can be set by any user can be called at any time. A user may use the GUI to access a TV listing, and modify record settings such as start time, stop time, new or repeating episodes on different channels, time of broadcasting, and deletion conditions.

[000183] The GUI can be used to review the scheduled recording list. Users can access the schedule and make modifications. The list can be sorted based on user, date and time, category of program and channel. The GUI can also be used to access and input items into a calendar with a reminder system (which may be sync to calendar systems on user's smart phones or PCs). Users can use the GUI to review the scheduled reminder list, access the schedule, and modify, browse and sort the schedule based on user, date and time, category and channel.

[000184] The GUI can also be used to search content stored on Gateway 150 or user devices. Such a search can be done using different filters. An on screen keyboard may be used for this purpose. The results of the search may be sorted by user, type of content, category of content, channel, recorded or future status, PPV or source. Trailers or previews of the content may also be provided.

[000185] Each user may have certain favourite channels associated, which can be based on particular channels or categories of channels. This can be used to assign characteristics to the user. The channels may be sorted by user, type of content, category, channel, PPV status, on demand or downloadable status.

### **Remote Management**



[000186] Gateway 150 may be managed remotely by the service provider. Such management may include monitoring and diagnostic functions, trouble management, performance management, and configuration and customer support.

[000187] The remote monitoring and diagnostics module is responsible for monitoring the health of gateway 150. It includes low level debugging tools that monitor errors and warnings reported by the various modules and the resource usage of each module according to its upper bound limit as set by configuration. The module operates in active mode, in which it automatically reports on errors; or a request/response mode, in which it responds to command generated by a remote technical support team. The request/response could be a request for gateway 150 to run a test script. The configuration file for this module could be updated remotely, as could the module and its parameters.

[000188] The remote trouble management module can provide full control of Gateway 150 to the service provider's technical support team. The module enables technical support to control all levels, allowing the support team to run procedures, look up registries, communicate directly with any hardware and software components, measure throughput, signal quality, etc., check the communication between hardware components and software, isolate the cause of problems, apply updates and software patches, and enable or disable components.

[000189] The remote performance management module tests the performance of the connectivity to Gateway 150 and within Gateway 150, which includes timing: per transport layer protocol; per application layer protocol; per transaction; per session and per number of concurrent sessions and transactions. The module also tests packet loss, throughput, error rate and delay, and connectivity to user devices registered to Gateway 150.

[000190] The remote customer support module provides high level customer support, including allowing users to contact customer support. It may include demos and some remote management functions, such as activation, authorization, setup, configuration, and software updates.

## **Functions**

[000191] Gateway 150 transrates content for user devices, meaning it shapes the video stream to meet the user device's access network type, speed and proximity to gateway 150.

[000192] Gateway 150 can support multiplexing streaming video to add layers and images to video content. For example gateway 150 can add logos to TV content. Gateway 150 also supports closed captioning, including the language, font size, and colours used with captions.

### **APPLICATION MANAGER**

[000193] Gateway 150 has an application manager to manage the state transition among the applications operating within gateway 150, as shown in Figure 9. The application manager processes a user's request and delivers the request quickly to a desired application service or module.

[000194] The application manager receives user request from a native key event manager, and dispatches the request to application services. The application manager resides between application modules and middleware inside Gateway 150 system, as shown in Figure 10.

[000195] As shown in Figure 11, the application manager, when the power is on, leads the system into a "main" service in the factory setting mode of gateway 150. The main service waits the user's choice, and notifies the application manager to launch the selected application service. The application manager, when the power begins as "off", leads the system to enter the previous application service which is "remembered" in the last power off state.

[000196] As shown in Figure 12, the application manager, when the power is turned "off", notifies the application service shut down and brings the time update automatically in front panel. Figure 13 shows the state transitions with a channel request and update of the channel display in the front panel.

### **ARCHITECTURE**

[000197] A representative architecture for gateway 150 is now described. Gateway 150, as previously described includes hardware, middleware and services. The software in gateway 150 is based on modules characterized by their main functionalities, and therefore the modules in

each group or category has the same basic functionalities and be distinguished from each other by specific functions. Modules are grouped into the following categories:

[000198]       Essentials: The main container will not be loaded without the essential modules.

[000199]       Actors: The service engines that need to be running and providing an automatic series of functionalities.

[000200]       Reactors: The module that act according to reflexes (invoked and/or behave differently as per request and types of others).

[000201]       An important aspect of the design is that all modules support protocol communication interface through a message structure. This isolates the dependency of the modules from each other to the extent that each module could even be developed in a different language and each module is a sub system of a larger system. The output of one module could be the input of another module and the output of the system is the result of the collaborations among all modules.

[000202]       The Main Container is a small module that reads a configuration file and then, based on the information presented in the file, loads the modules. The path to the configuration file is an input parameter to the main container. The path could be an address to a file and/or a database which has either resides locally on gateway 150 and/or remotely within a data centre. Therefore the Main Container must have the communication capability of connecting to a database or file, and receive command lines as input for mandatory functionalities and as well as the ability to read a path for loading modules.

[000203]       Actors are the modules that actively and automatically act on a task. Actors will load and run in the background at all the time. For example, a watcher is an actor the loads at runtime and is invoked periodically to check the status and health of the system. Actors have the same behavior without any dependency in change of state. For example, a deep content inspection module is always scanning the content of a stream no matter what type of network, device or content is involved.

[000204] Reactors are the modules that change their behaviour based on the state change. Reactors can be considered as intelligent modules where the module learns through the time and behaves differently based on the state. For example, the Personalization Engine (PE) module could be considered as a Reactor. The PE Module learns from the user's behavior under different conditions and based on the collected knowledge, provides the service differently i.e. looking for different content to present and push to the user based on knowing the network, device, and state the user is. The collection of the affirmative information forms a state that causes the PE Module to move or behave differently and produce a different result. The video rate shaping module is another example of such a reactor, wherein summation of users' state information, including type of device, connectivity type and quality, state in terms of mobile or stationary, at home or distant location, and type of content and the viewing capabilities under the state condition, would result in a rate shaping algorithm which could be completely different under different conditions (for example when only one parameter is different). The design of reactors is based on separation of logical layer from data layer.

[000205] Actor or Reactor defines the main framework of each module, whether the framework is an algorithm that changes based on input event and parameters, or is a static framework. The modules also differ on basic functionalities for each module of the defined type. Therefore, the modules can be further grouped into the following categories:

[000206] 1. Content Inspectors, including all client portals: the entry point of the client user device, such as game consoles, OS-based mobile devices, non OS mobile devices, laptops, TVs, remote controls. This also includes deep content inspection modules for both textual content and non-textual content (graphic and video).

[000207] 2. Content Consumers: are the modules that process and analyze the content/data collected and consume it for other purpose and tasks. These include the characterization module which receives the data collected from the inspectors and analyzes it in order to characterize the user. Note that this module is of Reactor framework type. It also includes the personalization module wherein different menu options will be loaded based on user preference, context (state) and the output from characterization module. This module could also be the module that draws the page on the display based on user characterization output. For

example while one user may like to have the screen layout and information organization different from one user to another, or even from one user's device (e.g. Mobile) to another (e.g. laptop). All storage, backup modules are also consumers; they are also of type Reactors, e.g. based on type of content, and user's status where to backup and how often to backup vary from one condition to another.

[000208] 3. Content Producers: are the modules produce the content for the user. These include the intelligent search engine which searches for content on behalf of the user based on the output of characterization module. Note that this module is of type Actor since its behavior/task (searching) doesn't change while the input (type of content to search for) is changing. It also includes the multiplexer which is also a content producer, since it receives, for example, a video (TV stream) and the advertisement and produces a new mixed content . Note that this architecture allow gateway 150 to have a dedicated multiplexer for each content format; e.g. 3GPP or MPEG4, etc. which makes it of type Actor, or alternatively one multiplexer handles all types and changes its algorithm based on the request which makes it of type Reactor.

[000209] 4. Data Communicators: are modules that are responsible for networking related activities and include determining the fastest/shortest path to available content; the fastest/shortest path to the user device; video rate shaping and others.

[000210] The high level layered architecture of gateway 150 is shown in Figure 14. Figure 15 shows the relationship between certain modules in gateway 150.

[000211] All user devices, when accessing gateway 150, pass through an access portal, which act as a proxy or gateway. These access portals pass the identity of the device (and user if it is shared) to the AAA module, collect user data to send to the data collection module, access the resource through the resource management modules. Examples of these access portals include the Web Portal, the WAP Portal, the remote control module and the SMS portal.

[000212] The Remote control Portal has two modes, basic and advanced. The basic mode allows turning on gateway 150 with a remote control and ignores the password notification. A default account is selected for the basic mode for the AAA module. In the advanced mode, the user inputs 2-4 digit number as a password when prompted, allowing the

gateway 150 to identify the user. Alternatively, gateway 150 waits until the user selects a certain option, for example favourite channels or web sites, at which point it prompts the user to provide the password.

[000213] The Access Control layer includes the AAA modules in charge of user activation, identification and authorization. Each user device needs activation through AAA module to start to use the gateway 150, and during this process, the AAA module will record (and update if possible) the configuration of the user device. For shared devices, the module will activate the user account.

[000214] After activation, each time a user device or a user account starts using gateway 150 via a portal, the portal will pass the user device (or user account) to the AAA module for authorization. The AAA module will identify each user device and user, and through a content filter system, search the local content container for suitable content, and pass it to content blender.

[000215] Thus the access control layer is responsible for: keeping all user profiles and box defaults and updated data centrally; communicating with the data center database to get, update, backup, and restore user device data; providing authentication interface for the Portal layer; providing user profile interface for other modules; and providing an interface for User UI for any parameter that can be updated by the user, such as parental control; providing interface to Configuration and Manage net program; and providing interface to data center to activate gateway 150.

[000216] The Data Inspection/Collection modules act as the interface between data collection points (the portals and the AAA modules) and Data storage (files and local database).

[000217] The content blender module has two major functions, to blend the video content for TV streams, recorded TV and other resources, and to transcode Internet content (typically web pages) for adapting to user device screen size and webpage reformatting to add more content.

[000218] An example of the work flow process from a user device connecting to the Internet via gateway 150 and its communication with gateway 150 via a Wi-Fi or LAN interface

follows. First, the gateway 150 WEP portal intercepts the Internet request, abstracts the user device's IP/MAC information, and interacts with the AAA module for authorization. The AAA module passes the user device ID (and account ID if available) to the content blender module, and checks if available (matched) content is in local Add-on container.

[000219] If the content blender finds the matched add-on in Add-on container, it links the add-on for later blundering usage when it receives the feedback from interface agents. The data inspection/collection module starts to collect the user data along with the device ID (and account ID) passed by the AAA module. The content blender module transcodes the feedback from the resource/request with the add-on together, sends it back to portal module. The data collection module also gathers the information from feedback data.

[000220] The SMS portal may be a set of pre-defined SMS commands, and also uses the AAA module to authenticate the sender authority, and to decide to allow or deny the commands send from the user device. After a command passes the AAA verification, the control and management module parse the command and processes it. Depending on the command type, the control/management module may determine if it will send the feedback/confirm back to SMS sending user device.

[000221] Figure 16 shows a high level explanation about data communication inside gateway 150 ND between Gateway 150 and the service provider Data Center.

## **SOFTWARE ARCHITECTURE**

[000222] An alternative embodiment of the software architecture for gateway 150 is now disclosed. The Gateway software architecture includes the following components: Application layer; Access control layer; Services Layer; Hardware abstraction layer; Management interfaces; and Database interface.

[000223] Figure 17 shows the high-level software architecture of Gateway 150. As shown, the core function modules of Gateway 150 are: the Transcoding, multiplexing, proximity based content inspection, presentation and streaming modules.

[000224] The basic workflow of the Gateway 150 is shown in Figure 18. As shown, the first step taken is user authentication, and the following depends on the use cases. The user can call an application to send out a request to certain services, which includes answering “Who I am” (user and device identity), “Where I am” (geographic location) and “What I want” (service information). The access control activates a portal guard and queries the database for account information. If the request is allowed, the request is passed on to the related service. Once the service processes the request, it also logs the activity and the result to the database.

[000225] The application layer includes application catalogued into four different groups (based on the access portal used). The first group are web-based applications, which refer to the Webpages which run on top of the Gateway 150 web server. Any web enabled user device could open these Webpages, and thereby access the Gateway 150. The webpages are of two types; management pages which are used to configure gateway 150 and users thereof; and application webpages which provide web access for functions such as live streaming TV, EPG information, recording programs, and personal content management, such as image and music files.

[000226] The second group are local applications, which include management applications, which as described above, can be used to configure gateway 150 or the users thereof, and function applications, such as media players, media guides, and photo albums. The GUI interface with users is dedicated to providing use of such modules.

[000227] The third group are carrier applications, which is the group of services, web pages and applications which favour the service provider requirements. Gateway 150's carrier applications provide control and information collection interfaces for the service provider. Control interfaces in this group include gateway 150 activation; gateway 150 configuration; services configuration; and advertisement content pushing. Information collection interfaces in this group include gateway 150 activity reporting; user characterization reporting; and content inspection reporting. These reports include proximity information.

[000228] The fourth group is third party applications which are the applications not developed and controlled by the gateway service provider or manufacturer but follow the same interface as above application. These applications could be developed by any third party



company or developer following the Gateway 150 SDK. Examples include Skype, and Google Widgets.

[000229]           The access control layer acts as a portal for all the service requests. This layer defines a service framework and is implemented by two libraries, libdsService and libdsLog. libdsService defines the service framework. The framework implements a skeleton of CLI and the access control interface. libdsLog defines a post instrumentation interface for all the services.

[000230]           The Service layer includes all the core services Gateway 150 provides. Each service is a slave of the control manager. In other words, the service can only be accessed by an application and by other services through the control manager using the access control interface. The reason behind this approach is to hide and centralize all the complex service-interaction logic in the control manager.

[000231]           For example, an application could dispatch a request to the control manager to start recording a live TV channel. Behind the scenes, the control manager would communicate with the user manager service to see if the application has the needed permissions, and then setup the recording session with the recording service. As soon as the schedule arrives, the recording service could inform the control manager. The control manager then can inform the replication service to start delivering live streaming to the recording service. Figure 19 shows an overview of Gateway 150 services, and the interaction with other applications.

[000232]           The gateway 150 Control Manager exposes a list of important Gateway 150 functions, and delegates to one or more Gateway 150 services to complete a request. It also serializes and prioritizes requests, and provides event subscription mechanisms to other Gateway 150 services. Like previously mentioned, the control manager main duty is to manage complex interactions of services to carry out each Gateway 150 function request. Therefore, the Gateway 150 control manager provides the following functions: a facade of Gateway 150 services; serialization and prioritization of requests, and event subscriptions.

[000233]           The UI Service acts as the presentation interface of Gateway 150. This service contains an application audio control. The application audio control is a volume mixer

that can perform volume control on all the applications used by the UI Service. The UI Service also interacts and manages layouts with the following major applications: the Media Guide; the Setup and Activation Manager; the Personal Content Manager; the Photo Album; Recorded Content; the Media Player; Personalized Advertisements; Channel-based Chat; Skype; Google Widgets; and the IP Cam Viewer.

[000234] The iAccess service is a web service that exposes a list of UI features to remote user devices such as iPhone, laptop, etc. This service is similar to a PHP web service. The service features include: serving over HTTP using PHP; converting web requests into equivalent DS messages to invoke action supported by the Gateway 150 control manager; dynamically creating thumbnails for personal images; and automatically providing different layout based on the end-user device.

[000235] The RF receiver module allows a user to use the remote control. To be more specific, this service receives RF signals, then translates the signals into Gateway 150 remote control command, and notifies the control manager. The service listens for RF command; and converts the RF command into equivalent DS message to invoke action supported by the Gateway 150 control manager.

[000236] The Stream Replication Service retrieves remote media streams and then replicates them to the recording service, rStreamer, media player, and/or EPG guide service. An IP cam module is also available to retrieve IP camera streams. The service demuxes and muxes MPEGTS containers; demuxes DVB Electronic Program Guide from MPEGTS stream; receives multicast, and RTSP; and replicates MPEGTS packet via RTP.

[000237] The rStreamer service mainly runs in the background as a streaming server to output media content into the required format. As shown in Figure 20, the rStreamer includes two entities: the trans-coding/muxing module, and a streaming server. The trans-coding component is able to trans-code a video stream into H.264 baseline profile and mux logos and advertisements; trans-code an audio stream into AAC LC; mux video streams and audio into a MPEGTS container; and deliver to streaming server using RTP.

[000238] The streaming server component supports the streaming protocol, including Flash RTMP – to support all the desktop/laptop computers; Apple HTTP Live Streaming – to support all the iOS user devices; Microsoft Smooth Streaming – to support all Windows 7 Phone; and RTSP/RTP interleaved – to support all the RIM (Blackberry) devices, TV tuner sharing. The server services all the required streaming protocol over 1 single port. The streaming server receives the MPEGTS RTP stream. The video coder may be H.264 and the audio coder may be AAC. The streaming server interacts with the User Manager to provide access control.

[000239] The Recording service works with the replication service to record live TV programs to the gateway 150 hard disk. The Recording service also has a scheduler that tracks all recording sessions. Therefore the recording service receives MPEGTS RTP (the video may be encoded with H.264 and audio with AAC); tracks all recording schedules; and updates and reflects changes in the database.

[000240] Gateway 150 Content inspection function provides the “be aware” ability to Gateway 150, and allows Gateway 150 be a “smart box” and understand what is going on inside. It detects information and uses it to further characterization data to create value-add service for the service provider. The structure flow chart of content inspection is shown in Figure 21.

[000241] Two types of data are generally handled by gateway 150, video and internet. A different interface is used for each type to implement basic capture and store functions. The result analyzing and audit function can be implemented in offline mode on either client side or server side. The content inspection provides the data for the multiplex to achieve accurate advertisement push.

[000242] The EPG service receives a DVB electronic guide from the Stream Replication Service via RTP. Then it updates the local cached EPG list, and notifies if there is a change in the guide. The EPG service, thus receives MPEGTS RTP stream with DVB electronic program guide; processes DVB electronic program guide; and updates the locally cached EPG list.

[000243] The Media Share Service is responsible for searching and accessing multimedia contents shared in a home network. The Media Share Service thus supports DLNA; supports CIFS; and mounts all supported network file sharing protocols.

[000244] The User Manager service provides product feature control, account management, and parental control as well as gateway 150 user management. The product feature control ensures certain functionalities of gateway 150 are disabled or enabled based on the accounting information of the customer. Account management lets the customer review the services currently subscribed to, and order or cancel services.

[000245] The Advertisement Service provides logos and advertisements by communicating with an external advertisement server. The actual delivery protocol and specification of the format of the advertisement contents are defined in advance.

[000246] The DS Monitor enables post instrumentation and is based on three modules – monitoring, reporting and updating.

[000247] The Domain Service helps exposing gateway 150 to the public internet from a home network.

[000248] The Wi-Fi AP Service controls the built-in Gateway 150 wireless access point. Once enabled, this service will be responsible for providing DHCP service; detecting new user devices; and managing firewall and application port-forwarding.

[000249] The Channel-based Chat service manages and services channel based chats. A channel-based chat is a service that allows the end user to automatically join a different social chat room based on the current channel selected.

[000250] The Proximity P4P service, like content inspection, will mainly be used by the service provider to provide network-optimized content delivery.

[000251] The Application Loader Service allows third parties to develop applications that make use of Gateway 150 services. This service thus can load and unload a signed Java application package JAR, and enforce rules; and the service contains a Java API that exposes Gateway 150 services.

[000252] Gateway 150 can use previously determined location information to optimize content delivery, as shown in Figure 22. If more than more node trying to access the same content, the content deliver path could be optimized for the best usage of network. The services involved include the content management and location management services, and each gateway 150 acts as a network node of this matrix with a content management server on the service provider side.

[000253] The workflow includes the gateway 150 sending out the content request with the location information to the content server in the service provider data center. The content management services will check the current mapping table, select the most “near”(network topology) node (which already contain the content) and sends a redirect for the request to the select node. The proximity based P4P service could become a cloud computing platform.

[000254] The hardware abstraction layer (HAL) allows for hardware independent software. This layer requires the whole software to be aware of the porting capacity. Software modules that interact with HAL include: USB Keyboard Driver; Audio Mixer; Video demux; Video decoder/encoder; Audio decoder/encoder; and TV tuner interface.

[000255] As shown in Figure 23, The Database Layer includes two database interfaces, one inside the Gateway 150 locally and the other in the service provider data center. The local database stores user account information, content information, inspection data and audit information as well as providing data access interface through an API. The service provider manages the Gateway 150 and collects data related to Gateway 150, such as default data, characterization data, user backup data and so on. The Gateway 150 management client also communicates with third party Management systems to retrieve customer account information.

## **PRODUCT DESCRIPTION**

[000256] Gateway 150 has the capability of receiving TV from IP, Cable and Satellite and is integrated with DSL modem capabilities, Wi-Fi and optional wireless 3G network connectivity. The integration of TV, DSL and Wi-Fi reduces the customer premise installation time and prevents the need for multiple trips to the customer premise for different installations by the service provider. The intelligence resides within the software middleware. The middleware is based on a component software architecture that provides a series of gateway functionalities. With this solution, users become subscribers of gateway 150. User devices; such as TVs, Mobile phones, laptops and PCs will all be registered to gateway 150 through an online portal during the gateway 150 activation process in a very simple and uncomplicated way for the users. To the end user, gateway150t is an integrated STB that reduces their need for extra equipment and wiring requirements while delivering additional features and benefits that are part of the service differentiation offerings.

[000257] Gateway 150 does not require installation of a client application on any of the user devices. All traffic is handled by Gateway 150 through an AI (Artificial Intelligent) engine that can distinguish and manage each user's traffic, under varying connectivity situations (device, network type, location, etc.). The approach distributes the CPU and memory requirements for millions of users out to the subscribers' premises, similar to a subnet, enabling faster and more accurate data processing. This unique capability enables Gateway 150 to provide the following features.

[000258] The AI engine analyzes the data (real-time/post process) in each user's traffic and characterizes the user under different conditions. Final user characterization can be reported to the service provider at each round of user processing, providing much more than just usage information. Based on this characterization, Gateway 150 can fetch content on behalf of the user and can also multiplex Internet Content to the TV stream, displaying both simultaneously on the user device. This method provides a much higher accuracy of the user characterization and is based on the complete view of user's traffic from mobile, residential and Internet.

[000259] Gateway 150 multiplexes Internet and TV content to a single stream. For example, this could be Internet viewing on the TV or an ad placed over TV content. Gateway

150 then transcodes the content to the most suitable format for the use device. After transcoding the stream gateway 150 then transrates it and sends it to the device based on the existing network conditions. Figure 26 illustrates screenshots for such an operation, simultaneously on four user devices.

[000260]           Therefore, there is no need for large advertisement insertion servers; Gateway 150 directly connects to the advertisement content and brings the content to the content being watched. It can simply be an unmanaged content overlaid from any source the user was actually browsing when s/he was on the Internet. An advertisement for one user within a premise could be completely different from another user within the same premise, each based on the Internet content they are viewing.

[000261]           Another feature is that all types of usage traffic can be reported to the operator for billing purposes. Operators will be able to bill users and content vendors. This includes generating advertisement revenue from managed or unmanaged sources or generally speaking from any content vendor that the user is subscribed to.

[000262]           Sharing content among Gateway 150(s) can be either a known feature for the users or a transparent feature focusing on delivering benefits to the operators.

[000263]           User's content sharing: Gateway 150 can provide user owned storage and allow users to share their content between users, either within or outside the premise and between friends. It must be noted that either are possible and configurable based on an service provider's policy model.

[000264]           Operator's content sharing: Gateway 150 enables a service provider to reduce the traffic over their core-network and enables them to use gateway 150 as distributed CPU and storage. An example of such functionality is when two users are watching the same VoD. One of the users could get the VoD from the other gateway 150 instead of accessing the service provider server in a regional office or deep core-network. Another example of such functionality could turn gateway 150 into distributed nodes with a massive number of TV tuners for recording different programs that run simultaneously. Two users, each with a single TV tuner gateway 150 that have access to same channels, can share the program that each has

recorded (be peer-to-peer content streaming). Note that the policy of access, digital right management and billing for all features always taken into consideration.

### **Control Manager**

[000265] The control manager is responsible for registration of user devices 180 with gateway 150, including information about the capabilities and limitations of such user device 180 and the users with whom the user device 180 is associated.

[000266] The control manager maintains usage logs for each user device. These logs can be used to improve Quality of Service (QoS) by determining when errors or poor performance occurs and taking steps to improve the quality (for example by increasing the buffer for streaming video).

[000267] The control manager acts as a message broker between user devices when one is used to interact with or access content on the other.

[000268] The control manager also manages the TV tuners included as part of the box. Such tuners, and associated EPG information, are set to the appropriate channel and output to the appropriate user device by sending a request to the streaming server.

[000269] All traffic is being handled by Gateway 150 through an AI (Artificial Intelligent) engine that can distinguish and manage each user's traffic, under varying connectivity situations (device, network type, location, etc.). The approach distributes the CPU and memory requirements for millions of users out to the subscribers' premises, similar to a subnet, enabling faster and more accurate data processing.

### **Streaming Server**

[000270] The streaming server handles several duties. It opens the port to the TV tuner, and handles the Electronic Program Guide (EPG), and modifying the format to the type of user device requesting the signal.

[000271] The streaming server also sets and monitors the quality of signal based on the size of the display. The streaming server controls the size of the buffer needed based on the



limitations of the device, its processor, the size of the display and the signal. Past user experiences with the device may be taken into account.

[000272] The streaming server thus can adapt to learned limitations of a user device to improve experience and can handle resolution changes and needs

[000273] When a user device is receiving Internet content, the streaming server can send a link to the user device to the content and play no other role. Alternatively, if the user device is local to the streaming server, the gateway can receive the content and adapt it for the user device.

[000274] The streaming server uses a transcoder to convert content from one format to another. The transcoder provides both a coding and decoding process. It receives input, decodes it, and codes it again as needed by the user device.

### **3. Distant User Devices**

[000275] One use of gateway 150 is to take advantage of the connection between the user device and gateway 150, which occurs even if the user device is distant from the gateway (e.g. outside of Wi-Fi range). This allows a user device to receive advertisements based on the user's past experiences, like browsing history on other user devices and personal interests, not available when logging in directly to a distant network.

#### **Bit Rate**

[000276] The gateway 150 streaming server approach uses a single transcoder to provide multi-bitrate adaptive streaming for a single user, as opposed to a separate transcoder for each bitrate that is provided to the user.

[000277] Our streaming server advertises multiple bitrates to a client device, then begins transcoding at the first requested bitrate. As the client device requests different bitrates (based on network conditions and the client's hardware capability), the server reads these requests and seamlessly adapts its transcoder parameters to accommodate the client's request. A single

transcoder has its parameters tuned for a single client's requests, so a single transcoder can only service a single client.

[000278] This allows gateway 150 to scale well with the number of bitrates provided (as only one transcoder is ever required for a single user). This approach does not scale well with the number of users requesting streams (each user requires one transcoder), so this approach is likely not preferable if the number of users with access to the server is larger than the number of transcoders available. However, as the number of expected users of gateway 150 is relatively low (family sized), the expected range of bitrates provided will have a larger impact on gateway 150 than the number of users.

#### **4. Multi-tasking on user devices**

[000279] Gateway 150 allows users to use their TV display for a many functions simultaneously. For example, a user can view a movie, make an Internet call (Skype) with a friend, and share a video or audio file all at the same time on the same device.

[000280] Gateway 150 accomplishes this by splitting the TV display into different zones, and displaying different content, transcoded appropriately, in each zone. Each zone can individually access a menu and receive commands, and can display content fetched, including content from Internet, and can enable users to access other viewers' feedback and ratings regarding any targeted or in progress content in an assigned zone.

#### **5. DRM**

[000281] For the purpose of digital right management, client software on the mobile and laptop devices may be used to remove the content proportionally as the user plays the content when PVR-d and VoD content is being viewed. The policy of DRM is an additional layer over the top of all engines which decides on the sharing mechanism of digitally protected content.

### **USER INFORMATION & COMMUNICATION WITH SERVICE PROVIDER SERVER**

[000282] Gateway 150 frequently communicates with service provider servers for a number of reasons. For examples when a new gateway 150 is purchased and configured, the gateway 150 registers with the service provider server and becomes associated with a customer, as well as the registered users and user devices. When changes are made, for examples, new users or user devices registered, the service provider server is updated accordingly.

[000283] Gateway 150 functions as a dynamic DNS server by handling changes to the IP addresses associated with gateway 150, as assigned by the ISP (which may be the service provider).

[000284] Gateway 150 can function as a feedback device for the service provider. Questions and surveys can be directed to registered users, and provided by gateway 150 to the service provider with appropriate demographic information about the responding user.

[000285] This feedback could be used to instantly obtain user opinions on content, such as TV pilot episodes, scheduling, or services. For example, a TV pilot could be aired, and followed immediately with a few questions asking user who viewed the pilot whether they would follow the series, perhaps even with questions related to time slot, plots, and characters.

[000286] The feedback could also be used to determine TV ratings. Gateway 150 already knows at least one registered user is watching a particular program at a particular time. A question as to identifying any other users watching is all that is required to allow gateway 150 to provide information for inclusion in TV ratings, such as those provided by Nielsen. If a sufficient number of gateway 150s are in use, it can be a simple function to determine very accurate viewership of a particular program, along with information about PVRing of the program.

[000287] Other feedback could be used to inquire about the success of advertisements (e.g. is a trailer more likely to draw someone to a movie; or is a political advertisement likely to sway a voter).

[000288] Gateway 150 can also be used for policy management, particularly as the files are stored on gateway 150, and the content can be policed by the service provider, for example by deleting PPV files, once watched.

[000289] The parental control system is quite flexible. If the video or audio content, either from Internet or the TV, is encoded to include rating information by scene, then gateway 150 can modify the content accordingly. In this embodiment, for example, if the parental control indicates that certain language is not to be output, then gateway 150 can simply leave out such audio according to the audio stream information. Similar systems could be used for sexual or violent content, as gateway 150 could simply excise portions of the video stream.

[000290] Alternatively if a database about the times within a video or audio stream when potentially objectionable content takes place is available at service provider servers, the content could be excised based on the time played of the video stream.

[000291] Service provider can also monitor gateway 150 by logging into gateway 150 remotely, accessing logs and hard drives, etc. The service provider can even take control of gateway 150 if necessary.

[000292] Gateway 150 provides users with means for social networking. Users will have access to popular social networking services, such as Facebook and LinkedIn, but will also have access to a community of gateway 150 users. Users of gateway 50 can mark content stored on gateway 150 as public or private. Public content may be made available to users of other gateway 150s, possibly limited to "friends" of the user with the content. Private content will not be so accessible. Public content can be streamed to other gateway 150s, even when the user is performing a different task, for example watching TV. Both the sending user and receiving user may be watching the same TV program simultaneously while engaging in VoIP discussion about same and exchanging a file.

[000293] Gateway 150 can also be used to target advertising specifically to user activities. For example, when a user is watching TV content, for example a music video, if an Internet viewing screen is enabled; they could be presented with an advertisement for purchase of that same, or very similar, music content. Likewise, when a user is watching a TV program, they could be

presented with an advertisement for the DVD of the previous season of that same program. When selecting appropriate advertising for users, the service provider will also have the information from gateway 150 about the user's interests, demographics, and habits.

[000294] For the sake of convenience, the embodiments above are described as various interconnected functional blocks or distinct software modules. This is not necessary, however, and there may be cases where these functional blocks or modules are equivalently aggregated into a single logic device, program or operation with unclear boundaries. In any event, the functional blocks and software modules or features of the flexible interface can be implemented by themselves, or in combination with other operations in either hardware or software.

[000295] While particular embodiments have been described in the foregoing, it is to be understood that other embodiments are possible and are intended to be included herein. It will be clear to any person skilled in the art that modifications of and adjustments to the foregoing embodiments, not shown, are possible.

## CLAIMS

## WHAT IS CLAIMED:

1. A method of providing multi-bitrate adaptive streaming for a user device, comprising:
  - a. providing a gateway having a transcoder for providing multi-bitrate adaptive streaming for a user device, said transcoder providing a bit rate;
  - b. providing a transcoder in said gateway that transcodes said bit rate;
  - c. said user device requesting a second bit rate, different from said first bit rate;
  - d. said gateway instructing said transcoder to provide said second bit rate;
  - e. said transcoder transcoding at said second bit rate.
  
2. A method of obtaining feedback about a video stream, comprising:
  - a. the video stream provided to a user device, through a gateway, said user device and an associated user registered with said gateway, including biographic information about said user;
  - b. at the conclusion of said video stream, providing a questionnaire to said user, answerable on said user device;
  - c. Said gateway retrieving answers to said questionnaire, and returning said answers and biographic information to a server.
  
3. The method of claim 2 wherein said video stream is a pilot episode of television.

Application number / numéro de demande: 2773342

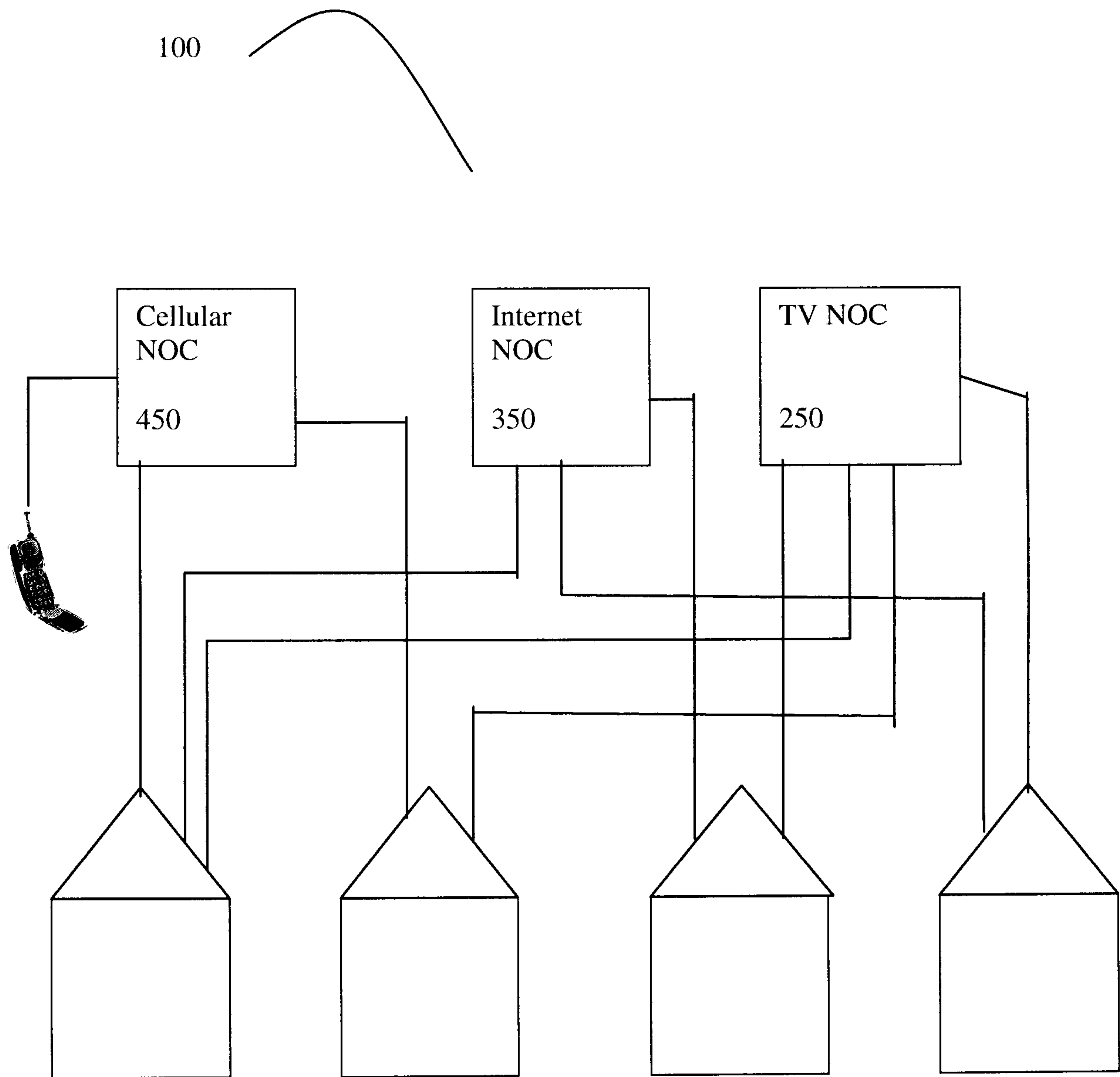
Figures: 17, 21, 22, 24

Pages: \_\_\_\_\_

Unscannable items  
received with this application  
(Request original documents in File Prep. Section on the 10<sup>th</sup> floor)

Documents reçu avec cette demande ne pouvant être balayés  
(Commander les documents originaux dans la section de préparation des dossiers au  
10<sup>ème</sup> étage)

FIG. 1



(Prior Art)



FIG. 2

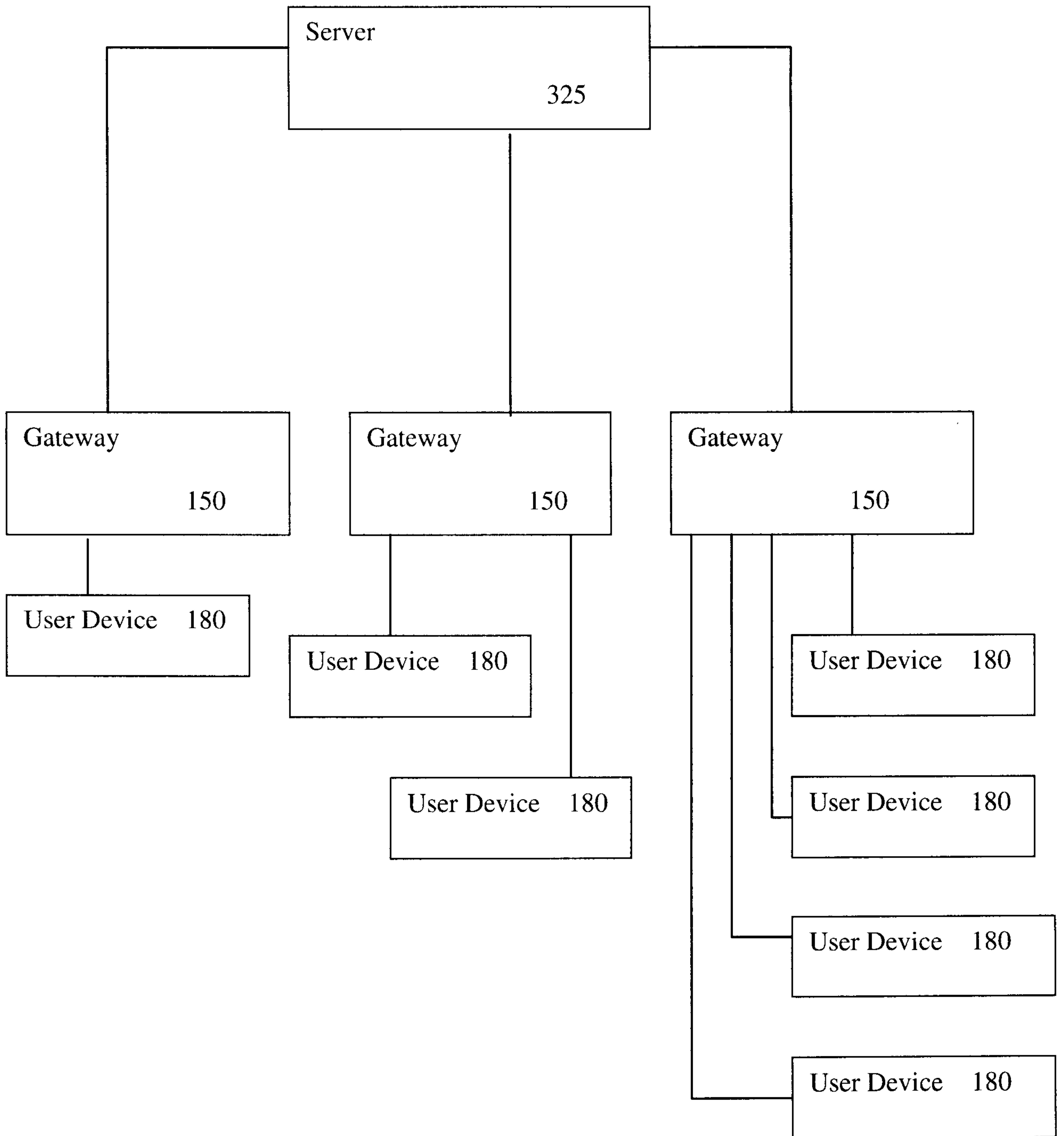


FIG. 3

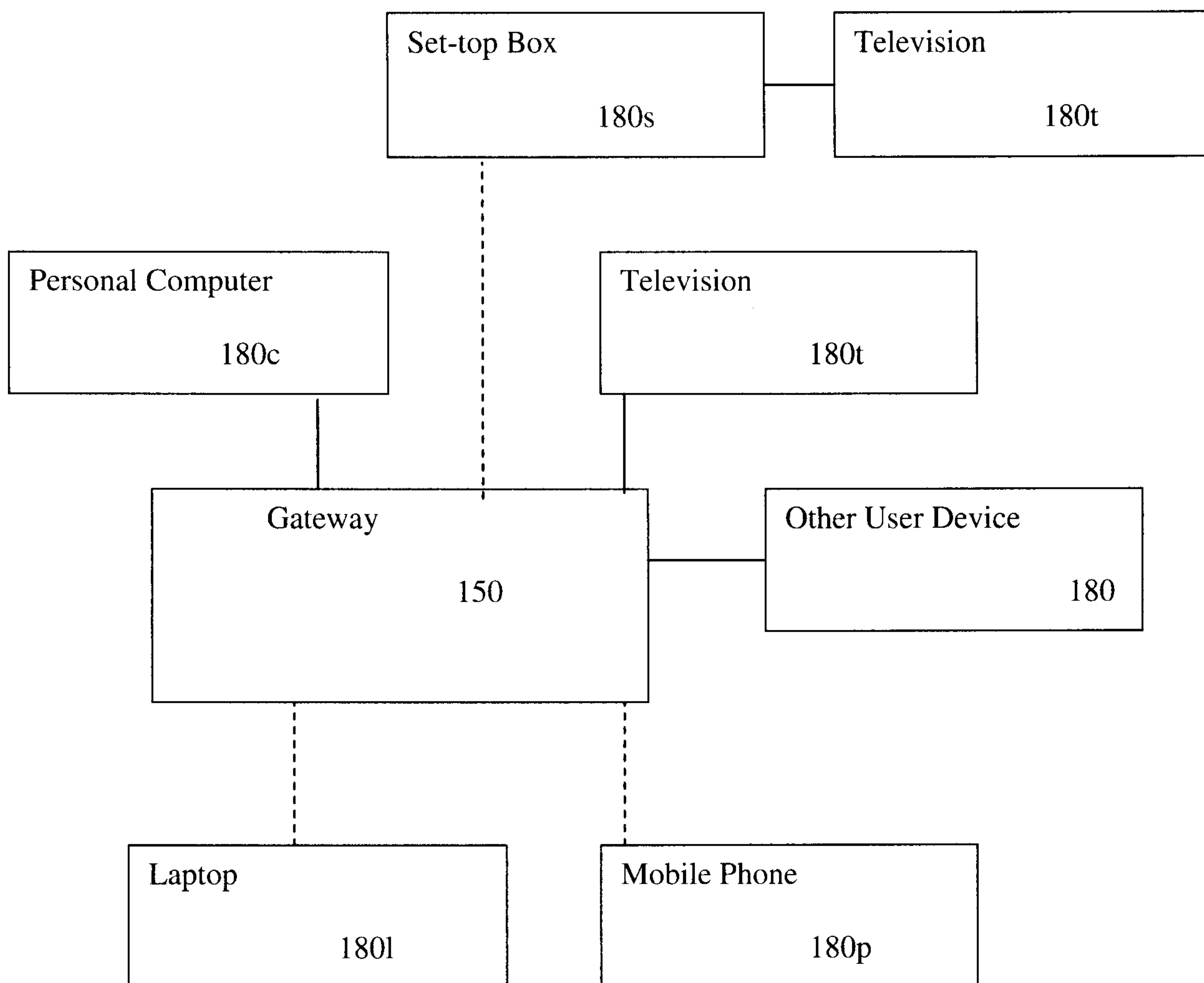


FIG. 4

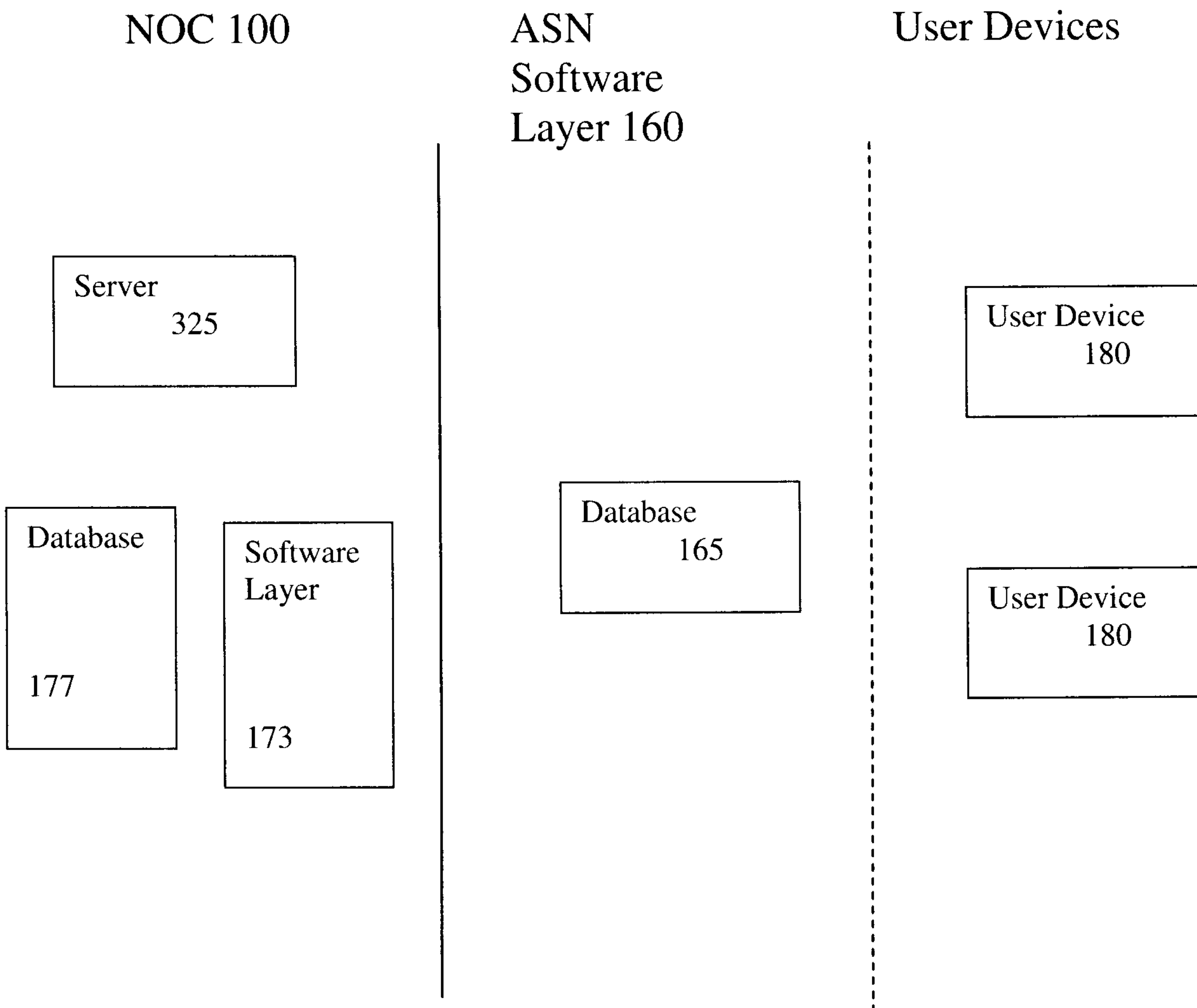


FIG. 5

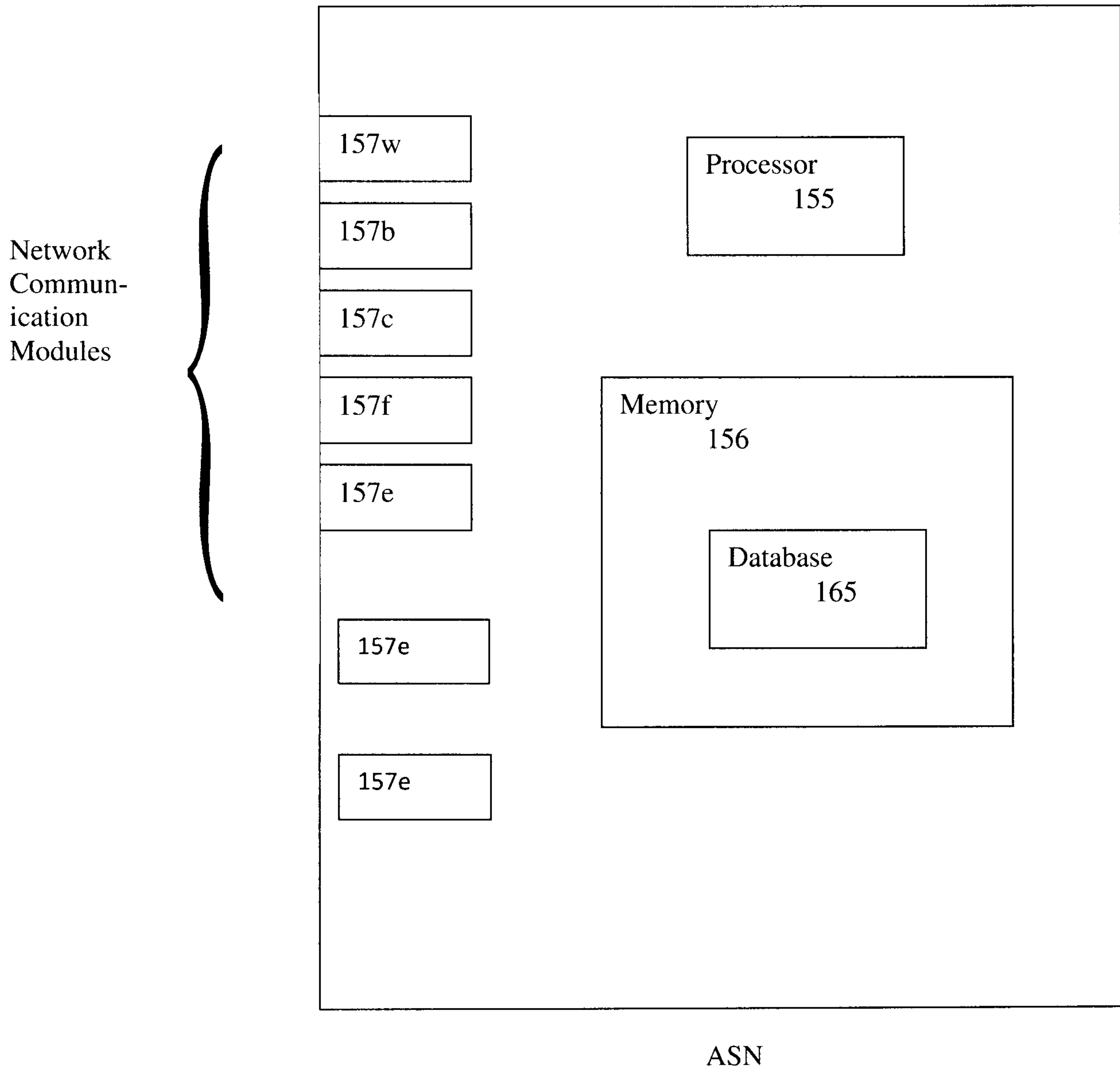


FIG. 6

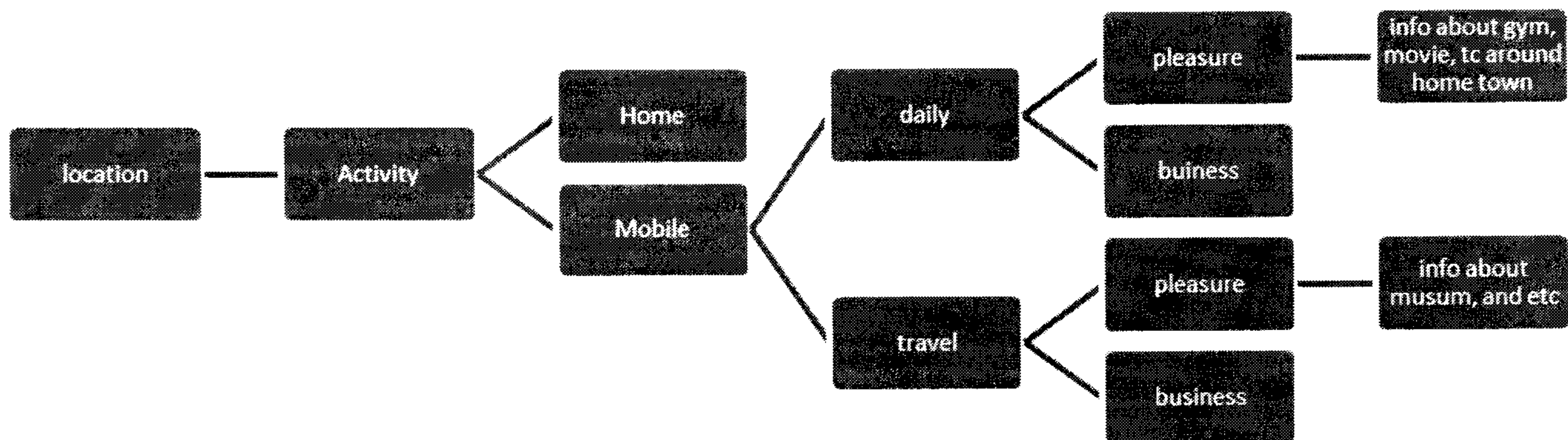
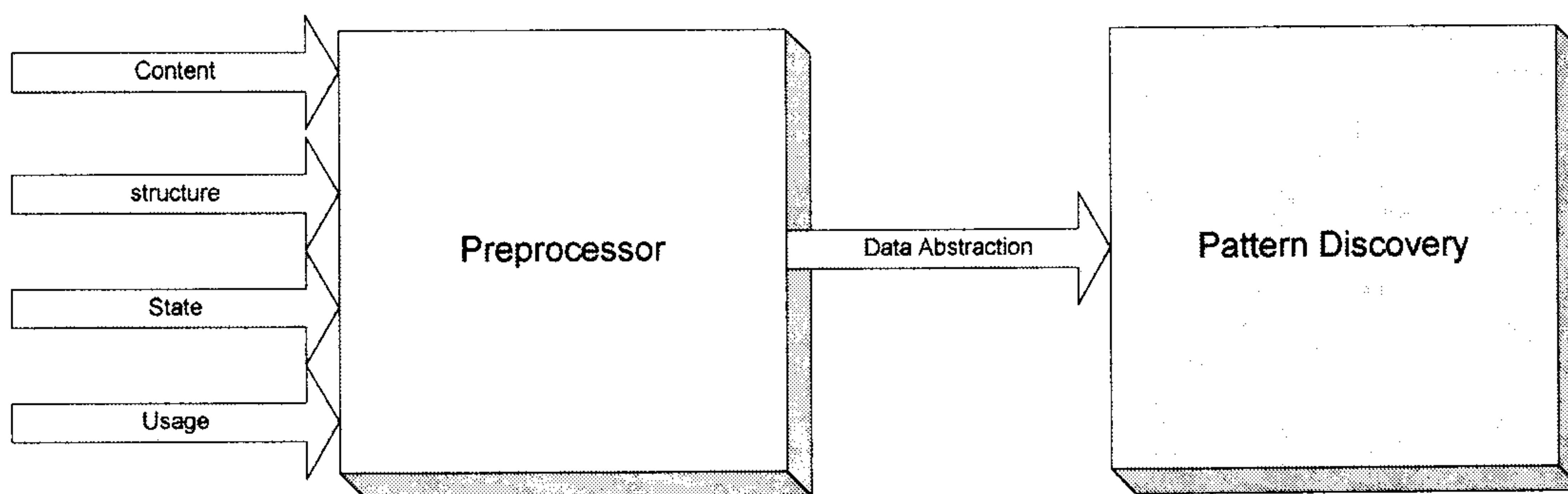


FIG. 7



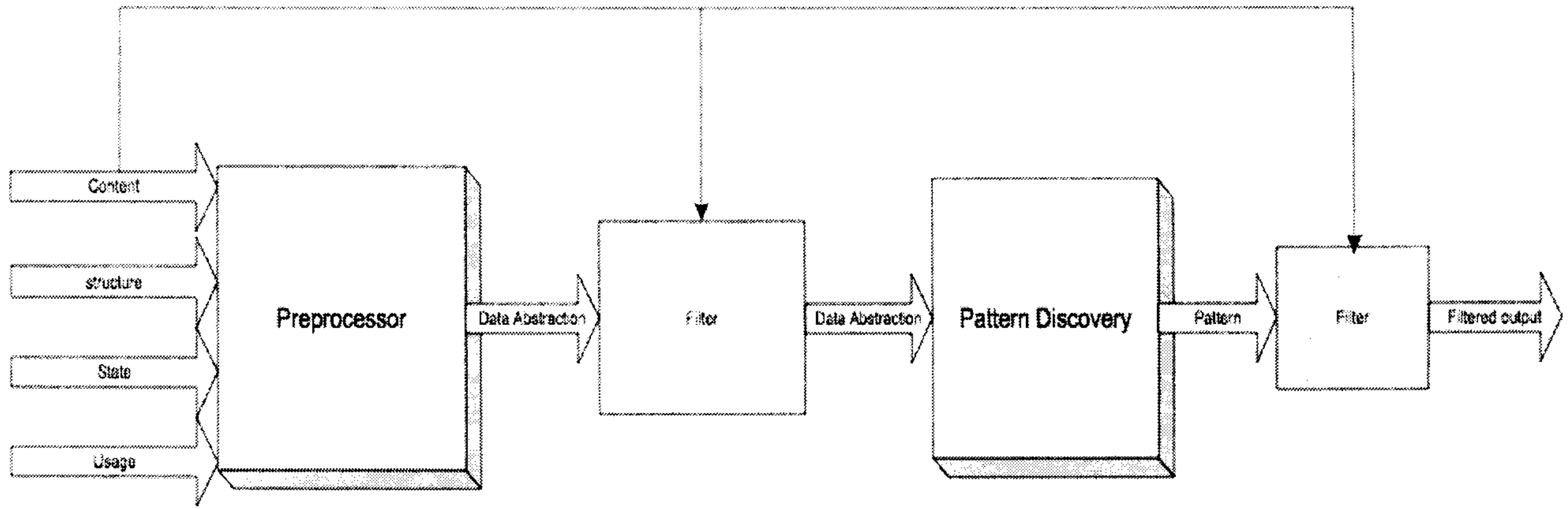


FIG. 8

FIG. 9

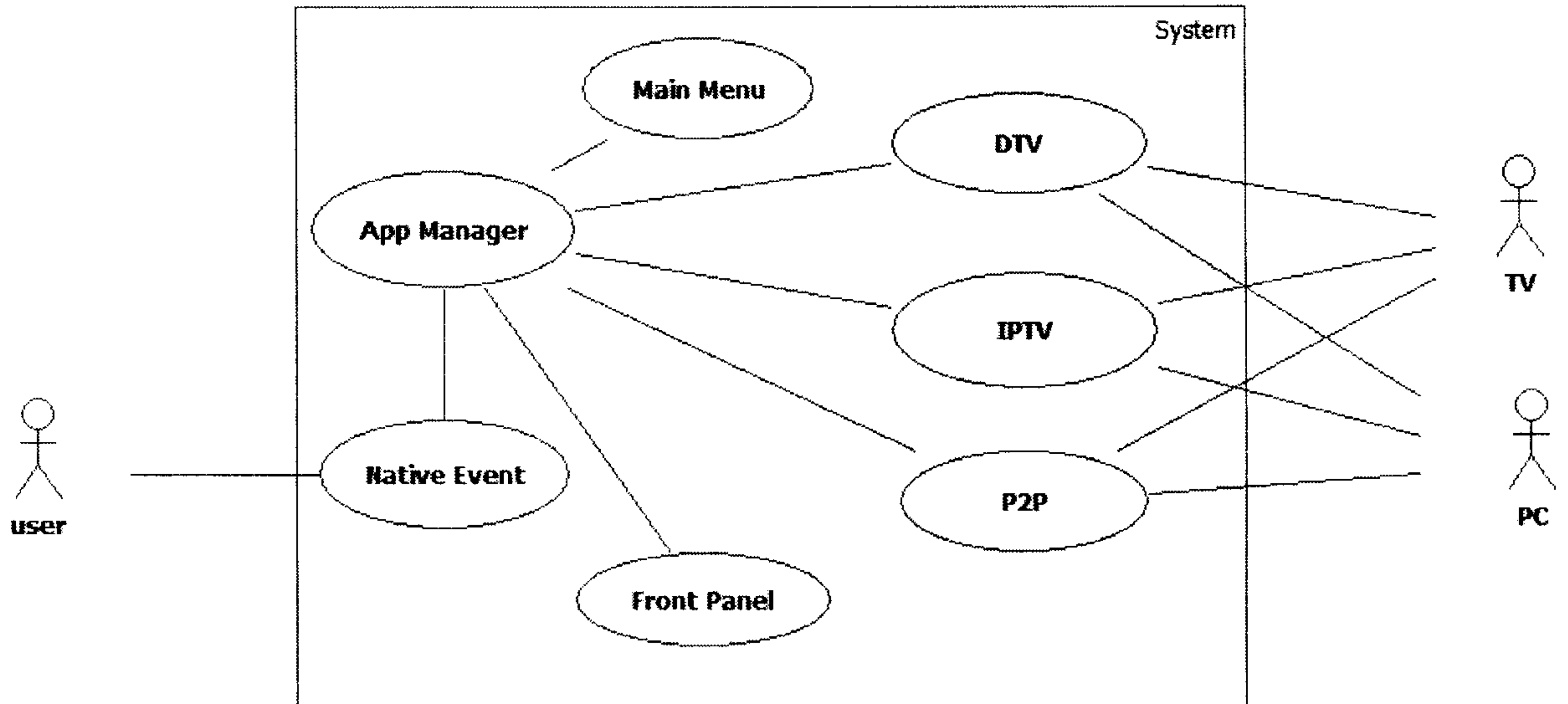


Fig. 10

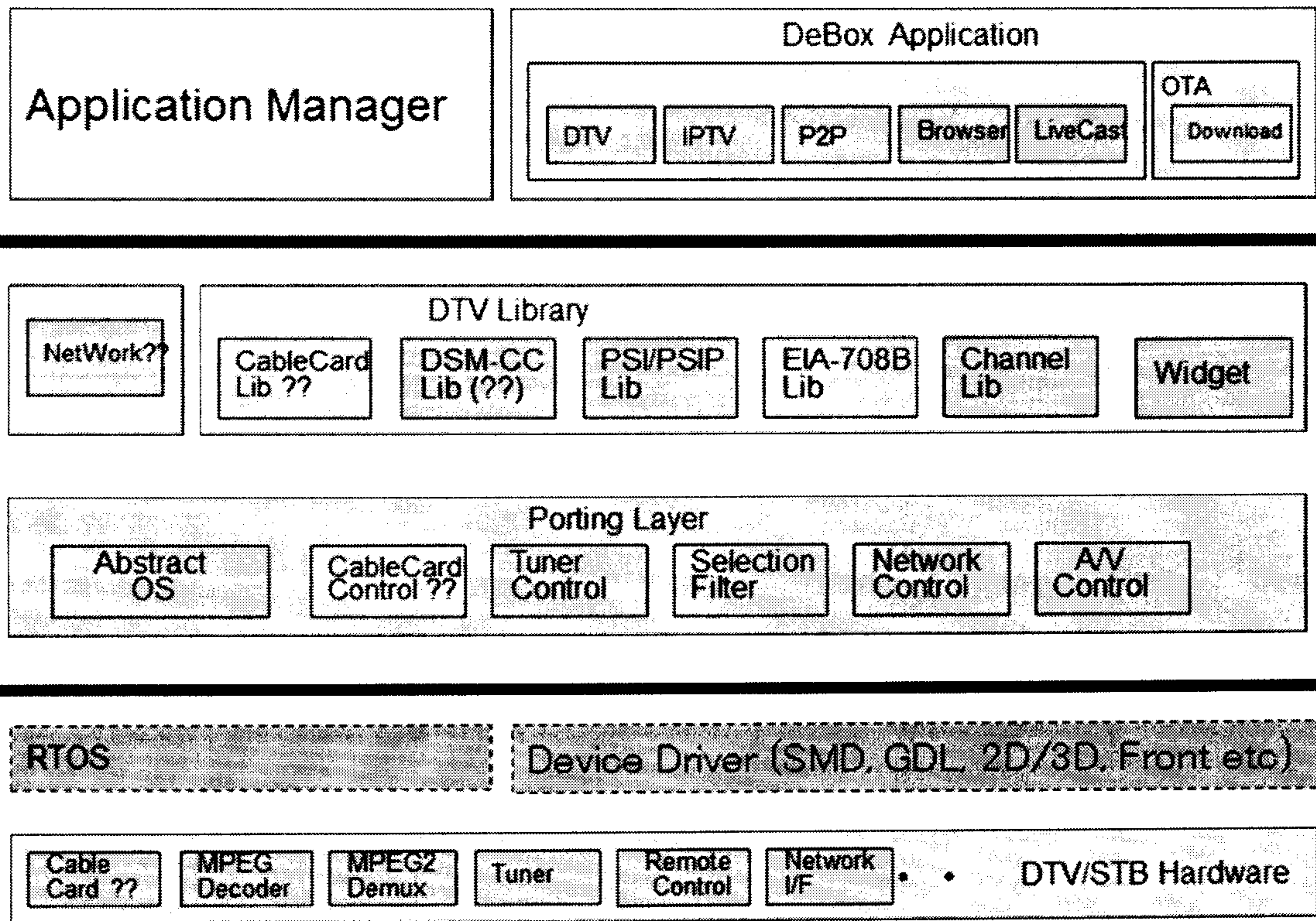


Figure 11

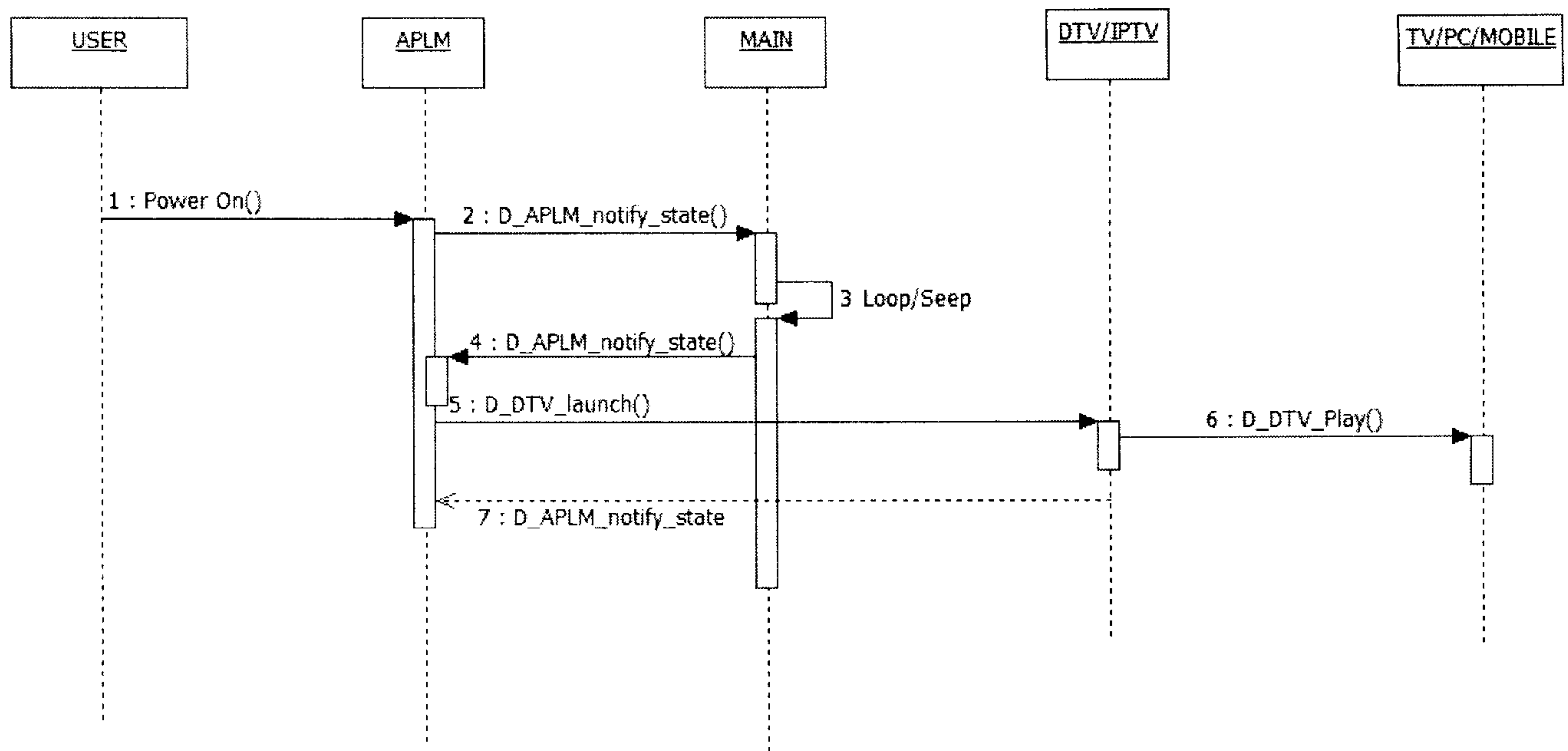


Figure 12

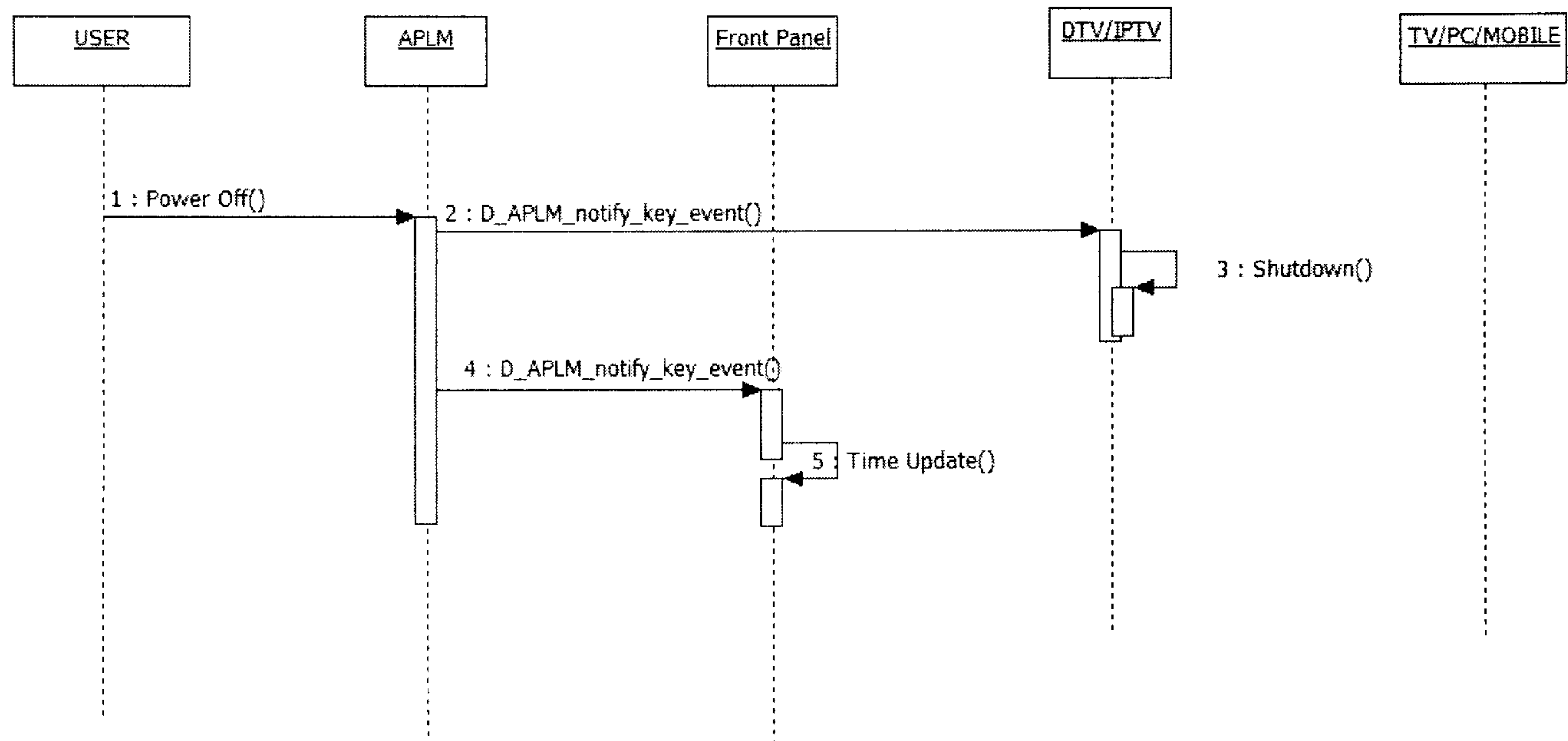




Figure 13

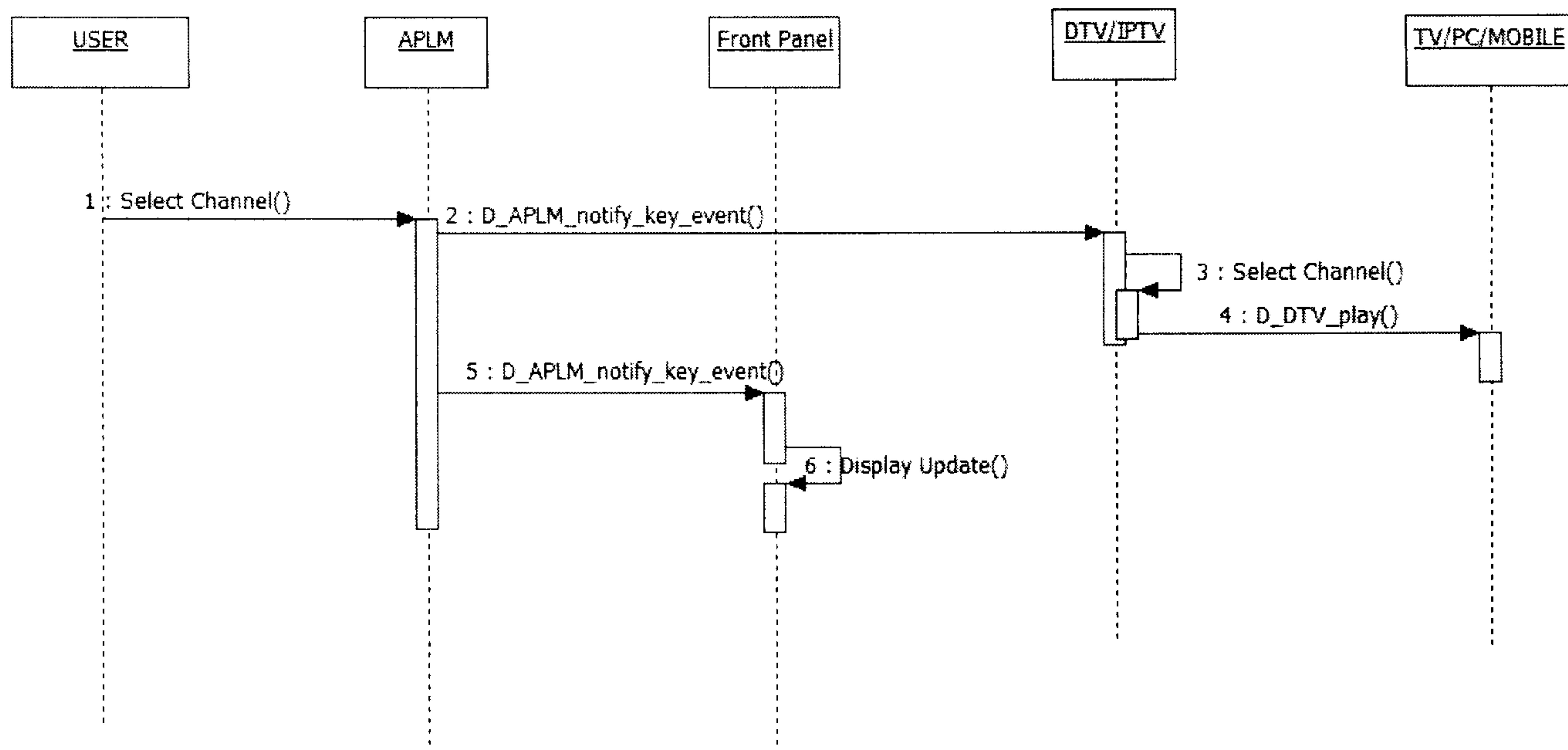


Figure 14

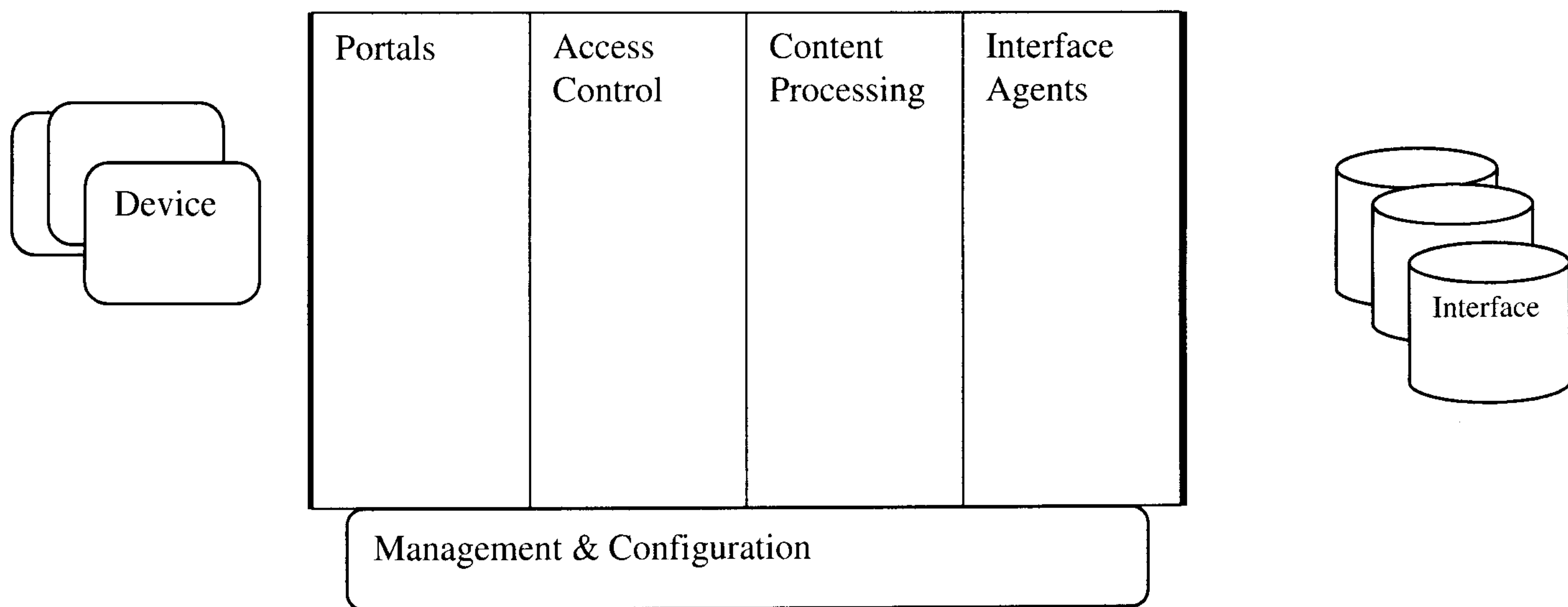


Figure 15

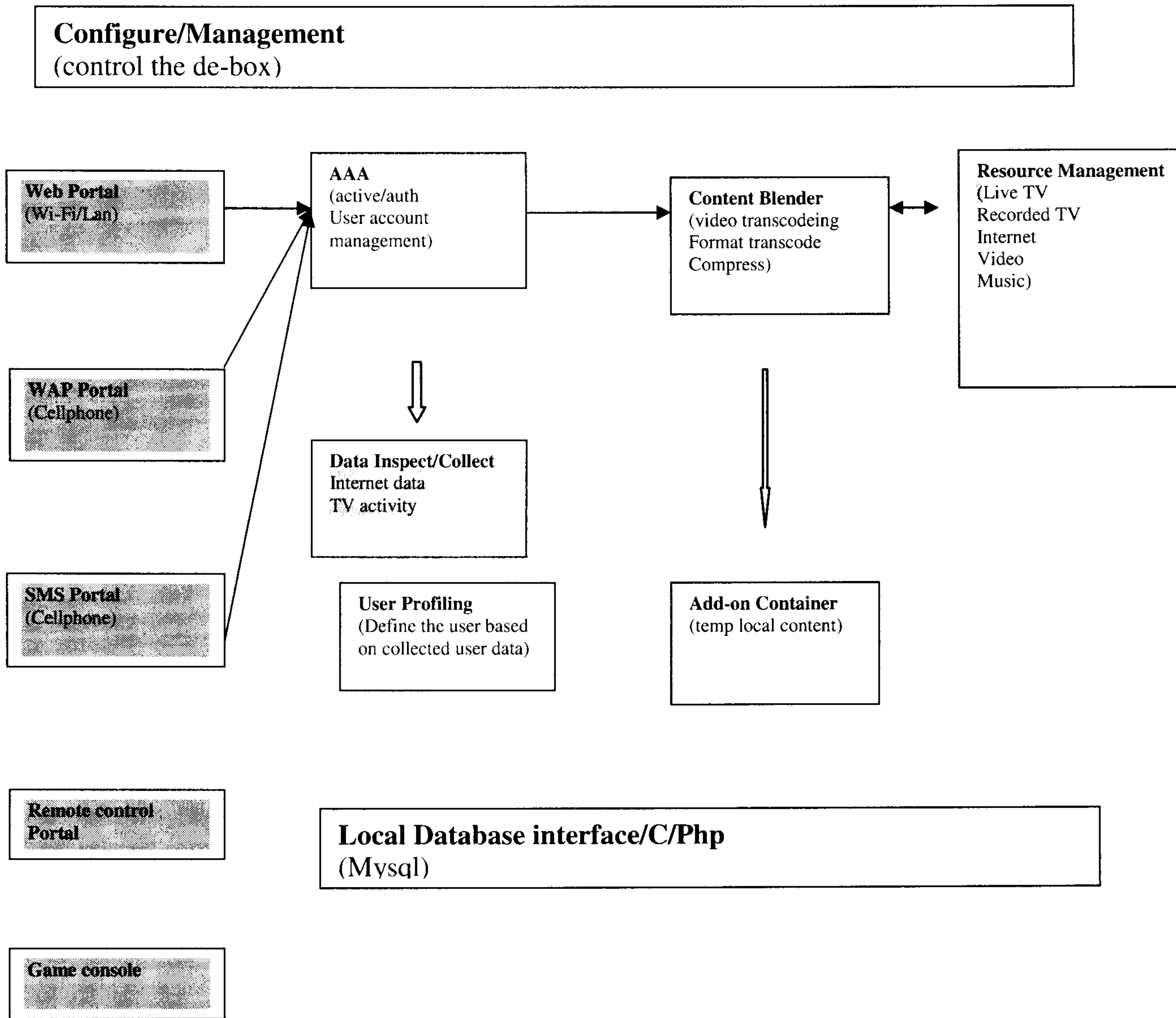


Figure 16

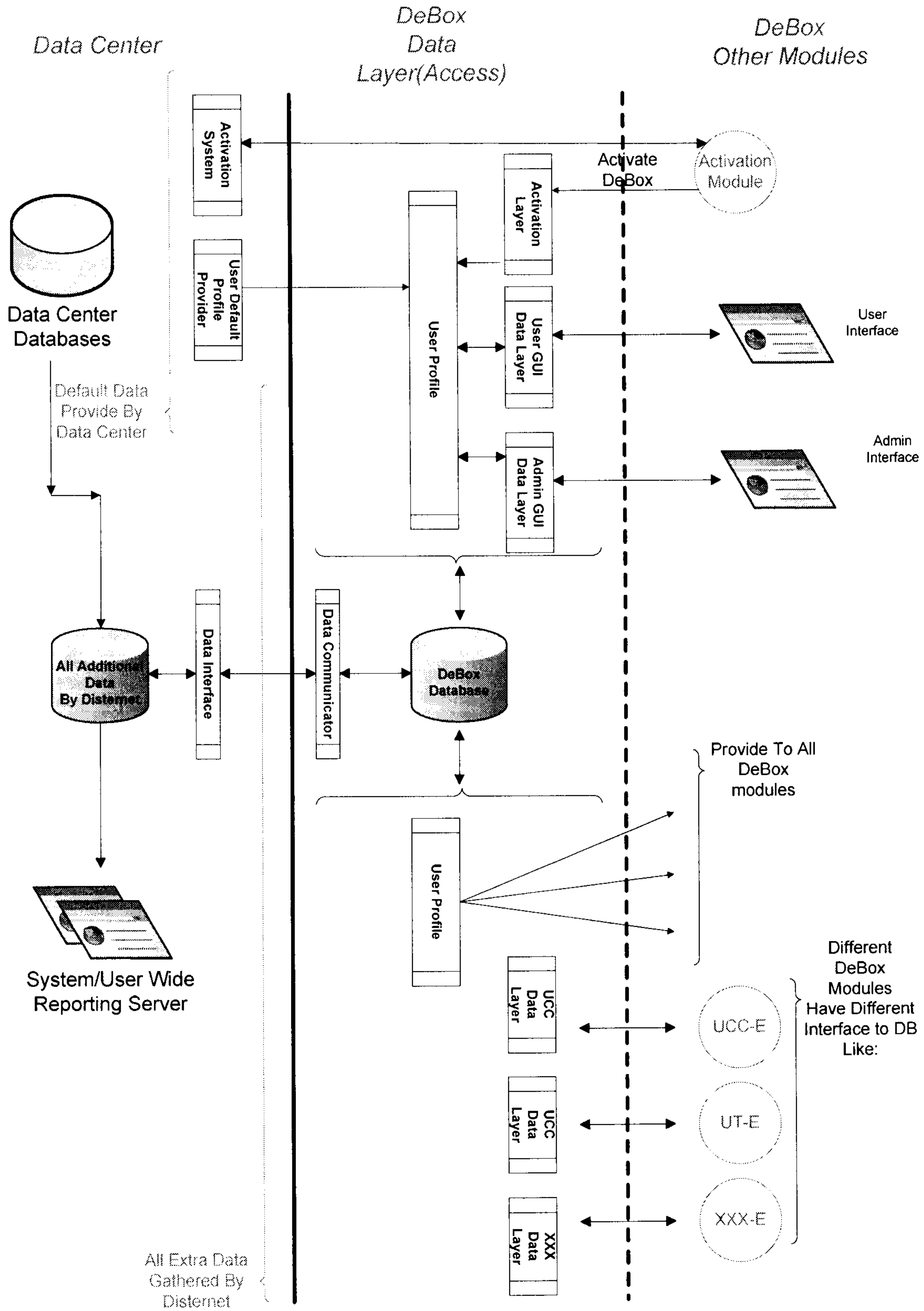


Figure 18

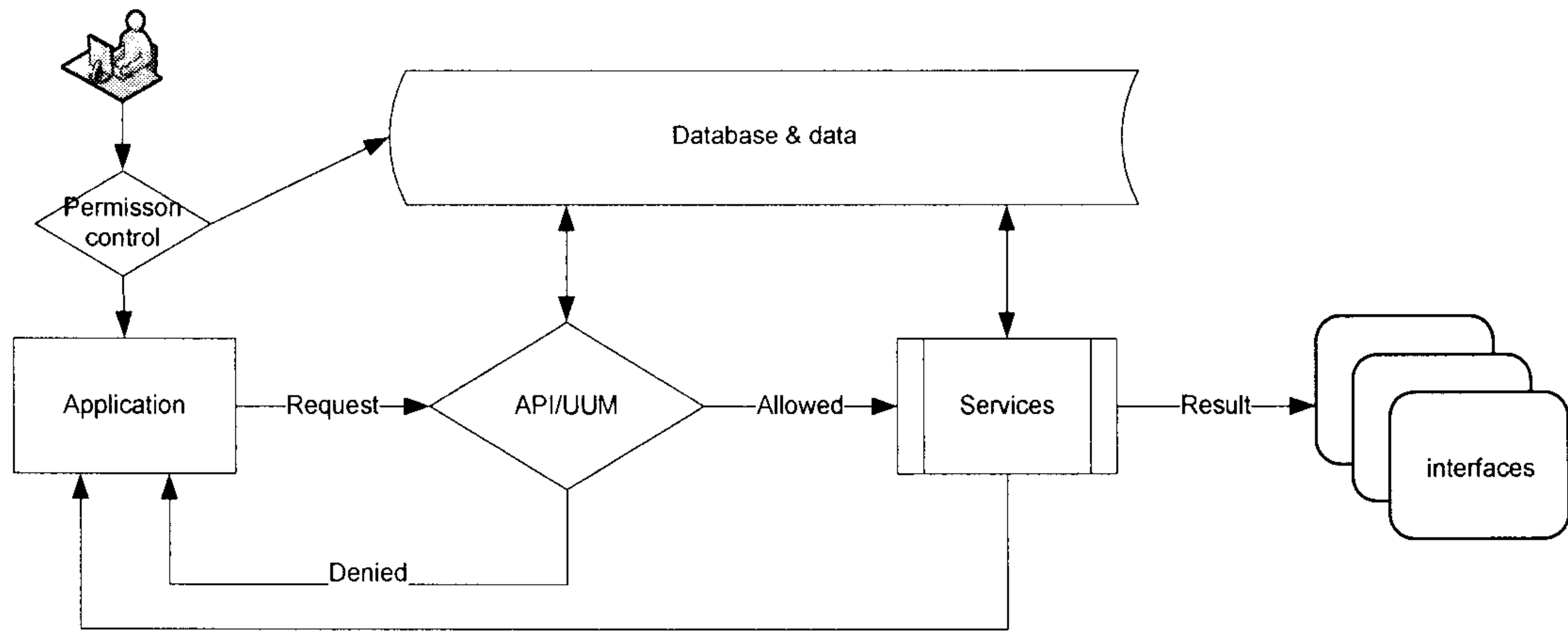


Figure 19

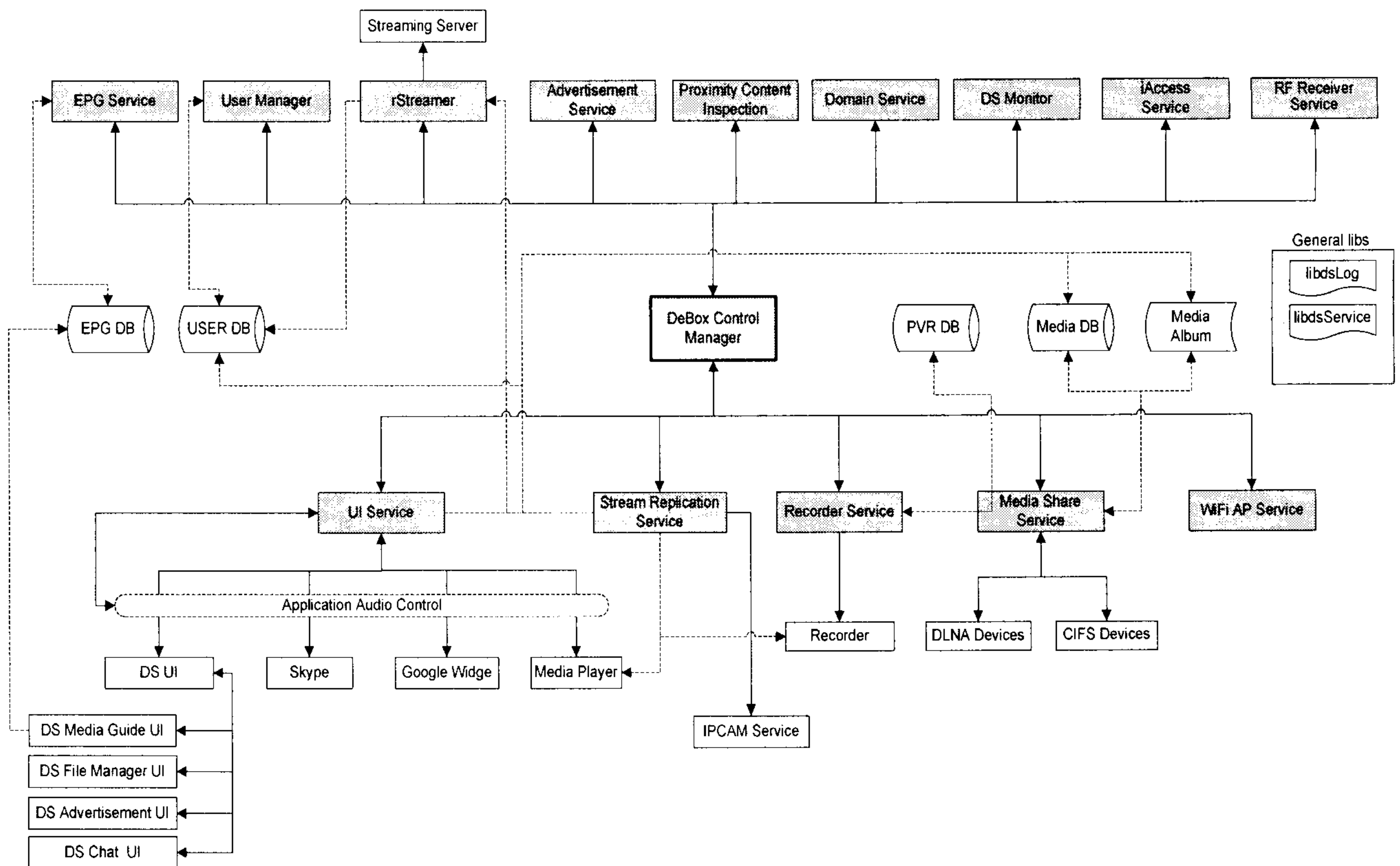


Figure 20

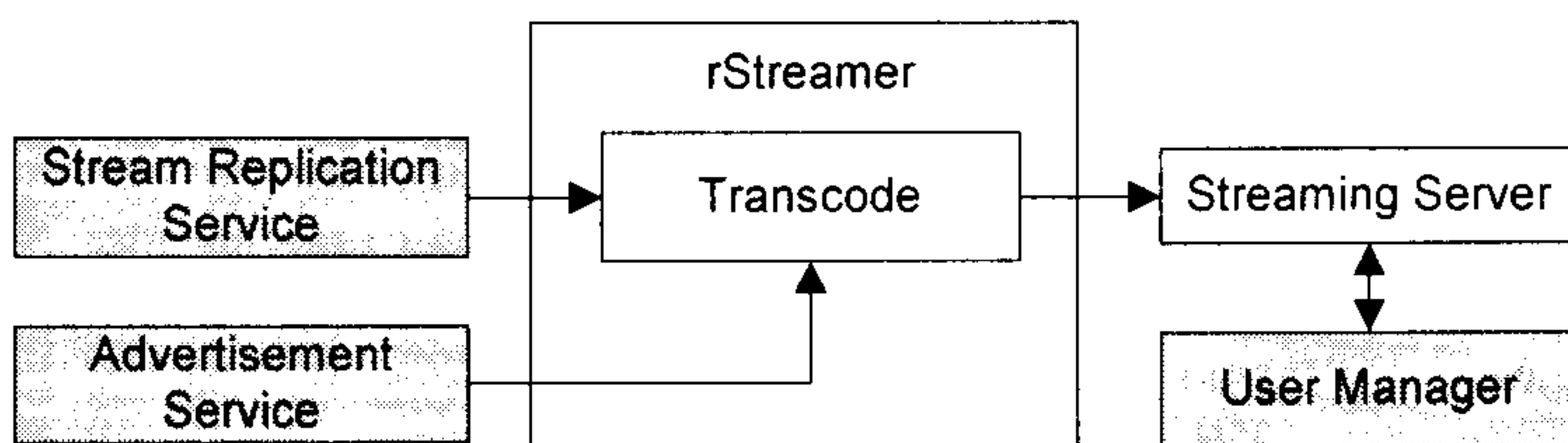
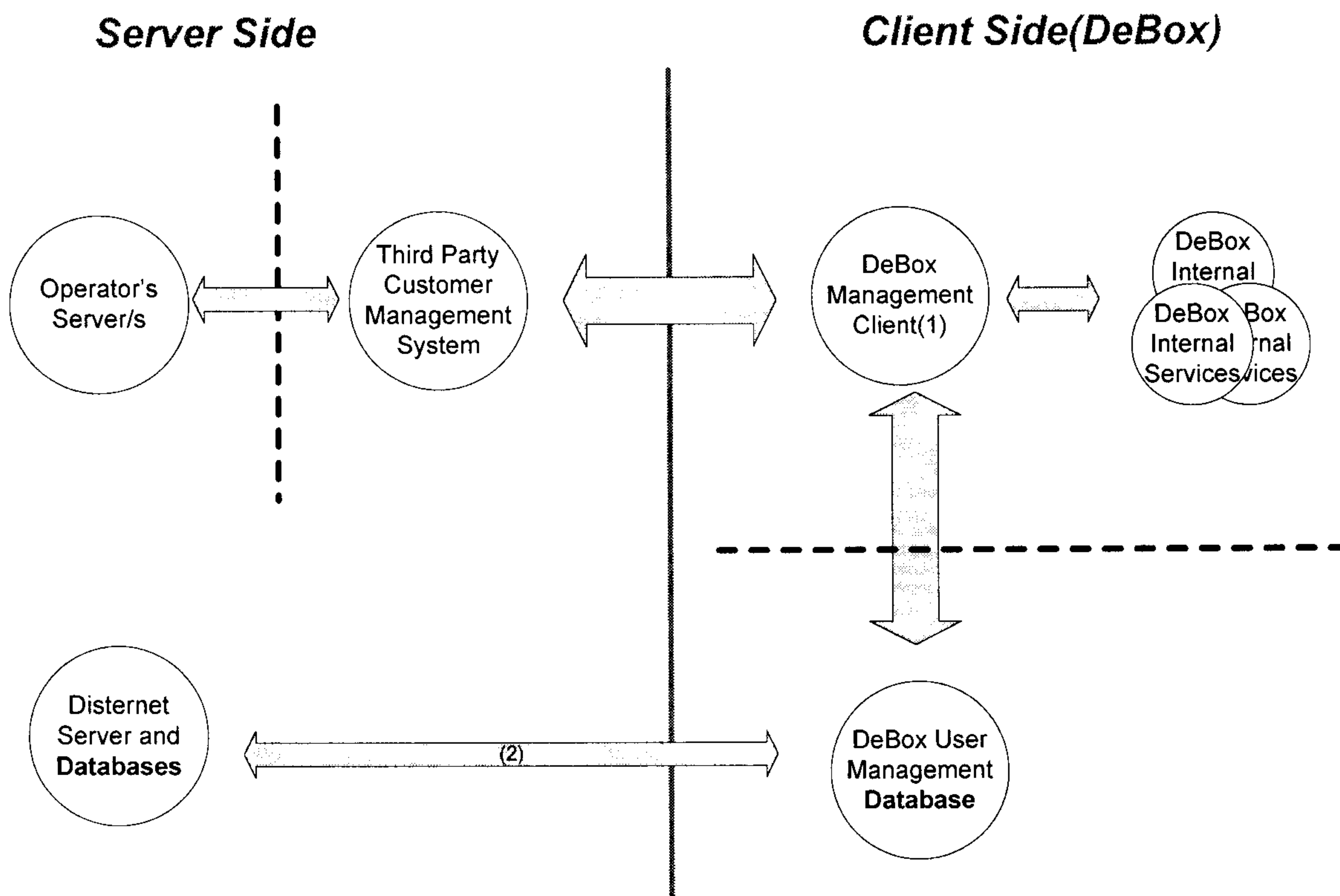


Figure 23



(1) This could be **Disternet** or **Third Party** or combination client.

(2) This communication can be direct or through **Third Party** management system.

# Configure/Management (control the de-box)

