



US00D911462S

(12) **United States Design Patent** (10) **Patent No.:** **US D911,462 S**
Blum (45) **Date of Patent:** **** Feb. 23, 2021**

(54) **EXERCISE BALL**
(71) Applicant: **Life Fitness, LLC**, Rosemont, IL (US)
(72) Inventor: **Matthew P. Blum**, Chicago, IL (US)
(73) Assignee: **LIFE FITNESS, LLC**, Rosemont, IL (US)
(**) Term: **15 Years**
(21) Appl. No.: **29/710,284**
(22) Filed: **Oct. 22, 2019**

Related U.S. Application Data

(62) Division of application No. 29/629,959, filed on Dec. 18, 2017, now Pat. No. Des. 871,527.
(51) **LOC (13) Cl.** **21-02**
(52) **U.S. Cl.**
USPC **D21/680**
(58) **Field of Classification Search**
USPC D32/29.1; D21/680, 707, 708, 709, 710, D21/711, 712, 713, 714; D30/160; D24/211, 214, 215
CPC A63B 41/00; A63B 21/072; A63B 39/00; A63B 43/00; A61H 2015/004
See application file for complete search history.

5,588,648 A 12/1996 Stebbins
D393,020 S 3/1998 Arcos
D441,815 S 5/2001 Murphy
6,287,226 B1 9/2001 Dilling
6,290,615 B1 9/2001 Ogg
6,293,877 B1 9/2001 Boehm
D449,358 S 10/2001 Ogg
D449,359 S 10/2001 Ogg
6,383,092 B1 5/2002 Ogg
D478,367 S 8/2003 Traub
D478,947 S * 8/2003 Lu D21/662
6,695,720 B2 2/2004 Sullivan
D494,233 S 8/2004 Kerry
D516,145 S 2/2006 Oblack et al.
D516,646 S 3/2006 Yang
D527,066 S 8/2006 Greiner
D536,756 S 2/2007 Steinhobel
7,175,545 B2 2/2007 Kuntimaddi
D572,322 S 7/2008 Michishita
D577,396 S 9/2008 Burger
7,455,601 B2 11/2008 Morgan et al.
D609,290 S 2/2010 Oblack et al.

(Continued)

Primary Examiner — Cynthia Ramirez
Assistant Examiner — Michael A Maharajh
(74) *Attorney, Agent, or Firm* — Andrus Intellectual Property Law, LLP

(57) **CLAIM**

The ornamental design for an exercise ball, as shown and described.

(56) **References Cited**

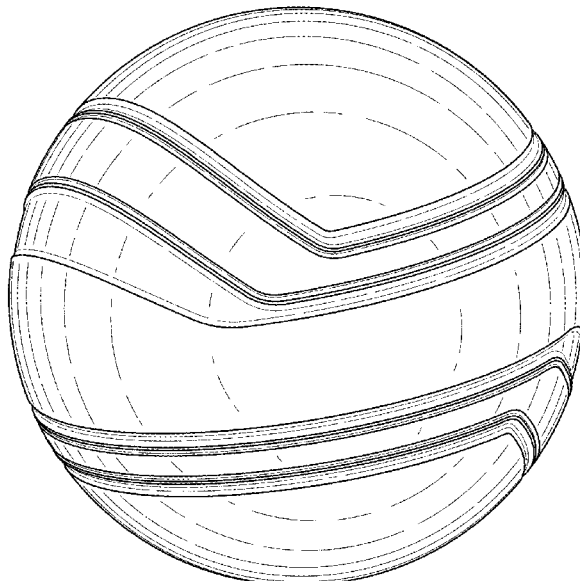
U.S. PATENT DOCUMENTS

D52,500 S 9/1918 Vaile
D52,706 S 11/1918 Robertson
D52,712 S 11/1918 Turner
1,418,220 A 5/1922 John
D71,562 S 9/1922 Penfold
D72,692 S 7/1925 Beldam
2,840,024 A 4/1955 Haas
3,222,065 A 12/1965 Dwork
5,048,829 A 9/1991 Prokupek

DESCRIPTION

FIG. 1 is a front perspective view of an exercise ball, showing our new design;
FIG. 2 is a front view thereof.
FIG. 3 is a rear view thereof.
FIGS. 4 and 5 are opposing side views thereof.
FIG. 6 is a top view of thereof; and,
FIG. 7 is a bottom view thereof.

1 Claim, 4 Drawing Sheets



US D911,462 S

(56)

References Cited

U.S. PATENT DOCUMENTS

D640,018 S *	6/2011	Rutherford	D30/160
D642,230 S	7/2011	Kessler	
8,205,351 B2 *	6/2012	Howe	B67D 7/06 34/60
D663,793 S	7/2012	Guarrasi	
D673,740 S	1/2013	Burger et al.	
D680,698 S *	4/2013	McWilliams	D30/160
D683,800 S	6/2013	Ebio	
D694,421 S *	11/2013	Anderson	D24/215
8,591,355 B2	11/2013	Sullivan et al.	
D695,371 S	12/2013	Hedeen, Jr.	
D700,259 S	2/2014	Lien	
D702,301 S	4/2014	Otto	
8,683,958 B2	4/2014	Oblack et al.	
D705,876 S	5/2014	Oblack et al.	
D718,825 S	12/2014	Ross	
D724,161 S *	3/2015	Kuhne	D21/662
D730,461 S	5/2015	Bennett	
D731,667 S *	6/2015	Elenga	D24/215
D746,007 S *	12/2015	Oh	D32/29
D748,747 S *	2/2016	Holland	D21/713
D750,450 S *	3/2016	Goldsmith	D7/667
D770,710 S *	11/2016	Li	D32/29.1
D774,150 S	12/2016	Holland et al.	
D775,286 S	12/2016	Pawlas	
D775,287 S	12/2016	Pawlas	
D786,513 S *	5/2017	Tome	D30/160
9,694,230 B2	7/2017	Cooper	
D794,143 S	8/2017	Rex	
D798,658 S *	10/2017	Masifilo	D7/400
D810,013 S	2/2018	Smitley	
D819,758 S	6/2018	Iqbal	
D823,951 S	7/2018	Marton et al.	
10,010,470 B2	7/2018	Bradford	
D832,946 S	11/2018	Lemihan	
D835,733 S	12/2018	Whiteley	
D837,908 S	1/2019	Ross	
D838,417 S	1/2019	Jiang	
D838,790 S	1/2019	Chang	
D839,496 S *	1/2019	Steinkraus	D30/160
D840,116 S *	2/2019	Steinkraus	D30/160
D843,527 S	3/2019	Monnin	
D845,562 S *	4/2019	Lewis	D30/160
D848,683 S *	5/2019	Pinto	D30/160
D848,684 S *	5/2019	Renforth	D30/160
D861,084 S *	9/2019	Wu	D21/680
D867,489 S *	11/2019	Brezovar	D21/680
D870,987 S *	12/2019	Murray	D30/160
D871,527 S *	12/2019	Blum	D21/680
D871,603 S *	12/2019	Spratt	D24/215
D875,852 S *	2/2020	Brezovar	D21/680
D875,853 S *	2/2020	Brezovar	D21/680
D876,660 S *	2/2020	Kim	D24/215
D884,099 S *	5/2020	Wang	D21/713
D893,116 S *	8/2020	Wang	D30/160
2006/0068952 A1 *	3/2006	Davignon, II	A63B 69/0002 473/613
2006/0217220 A1 *	9/2006	Davignon, II	A63B 69/0002 473/613
2007/0049434 A1	3/2007	Maziarz et al.	
2009/0181805 A1	7/2009	Sullivan et al.	
2009/0227398 A1	9/2009	Gibson	
2012/0263880 A1	10/2012	Lin	
2014/0336021 A1	11/2014	Jones	
2014/0373788 A1 *	12/2014	Ragonetti	A01K 15/025 119/51.01
2015/0011330 A1	1/2015	Ishii et al.	
2017/0136283 A1 *	5/2017	Sorin	A63B 21/4035
2019/0001195 A1	1/2019	Chang	

* cited by examiner

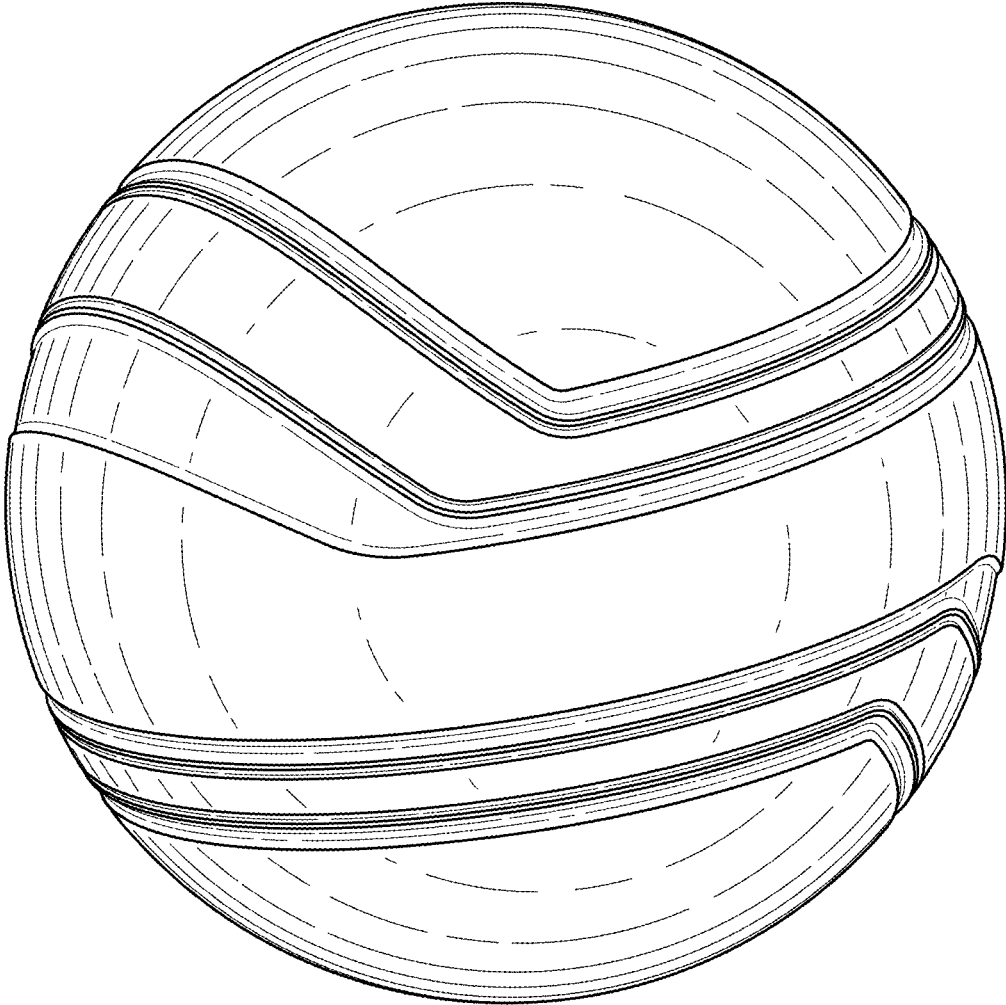


FIG. 1

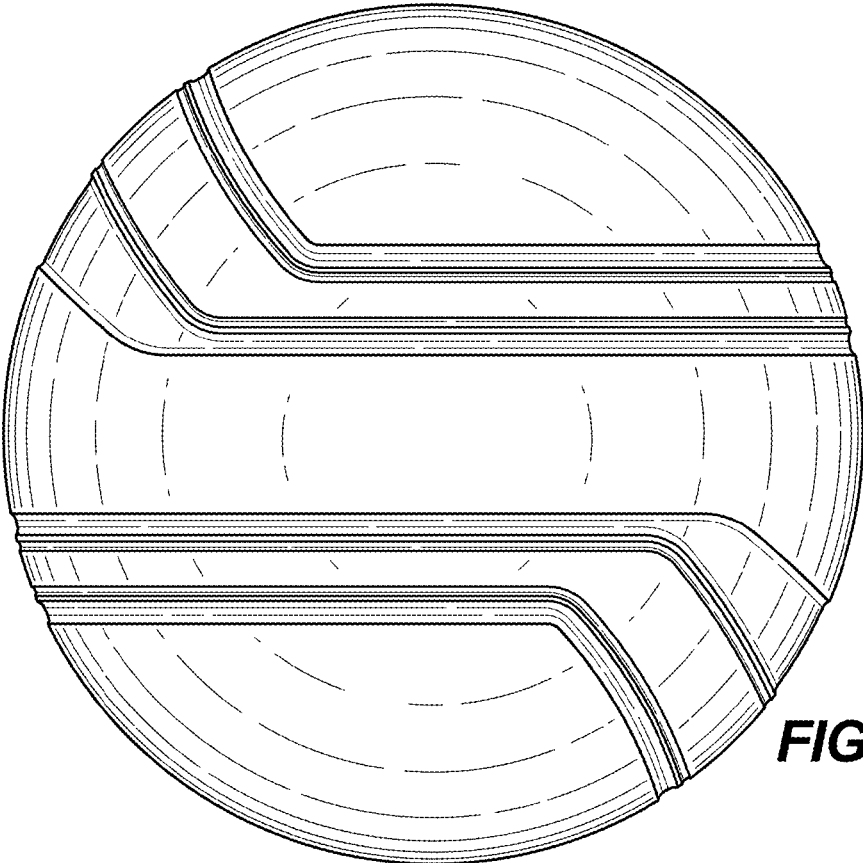


FIG. 2

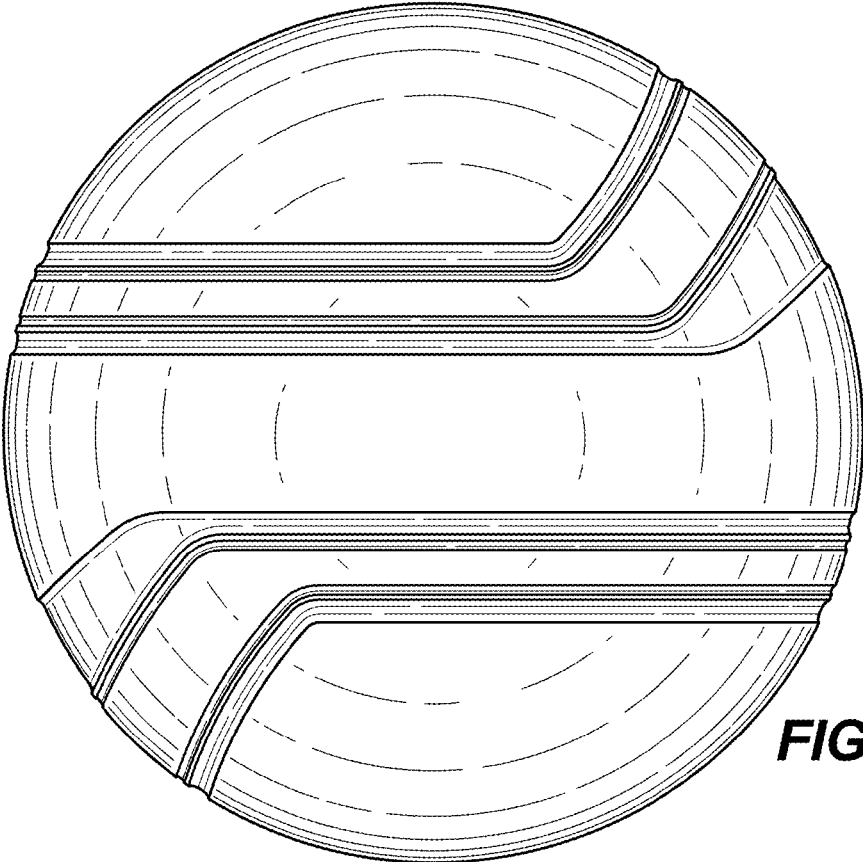


FIG. 3

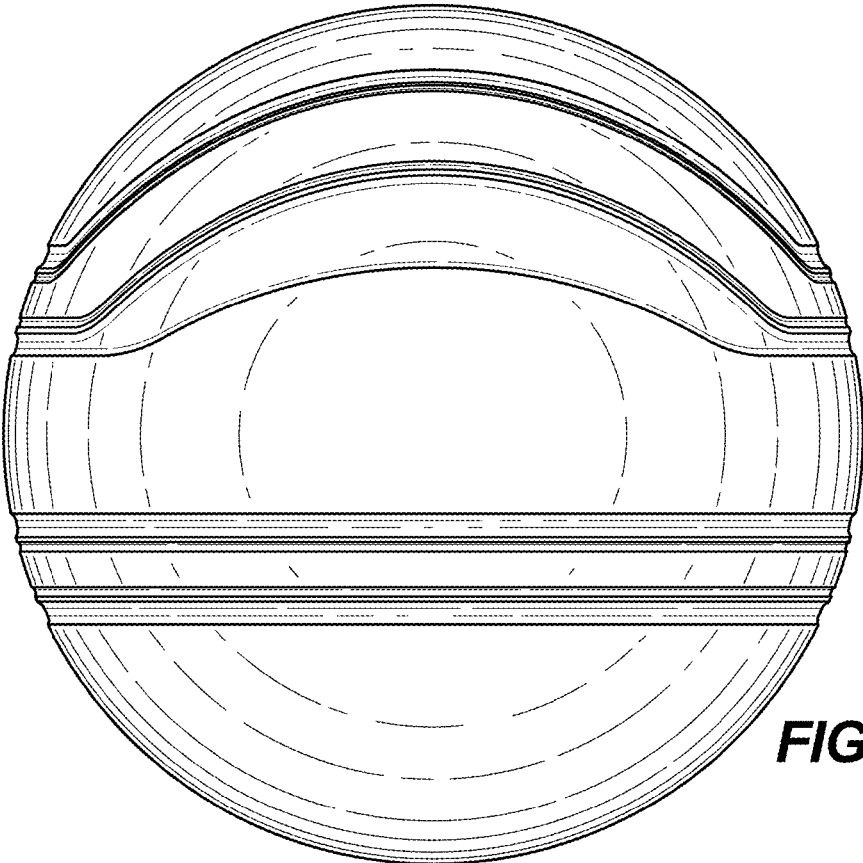


FIG. 4

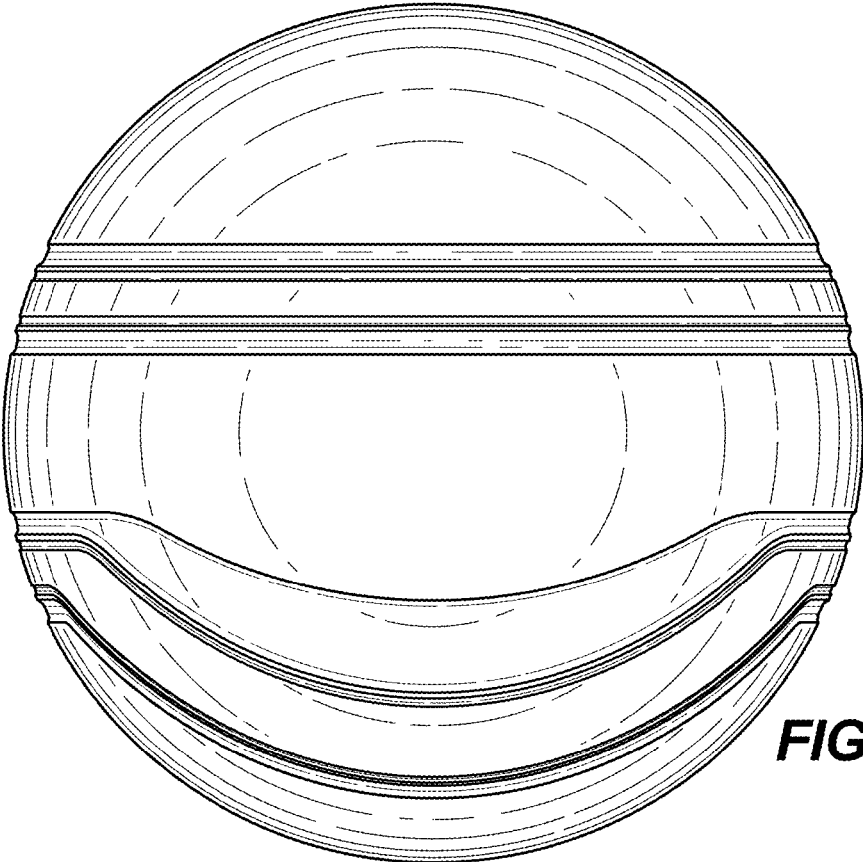


FIG. 5

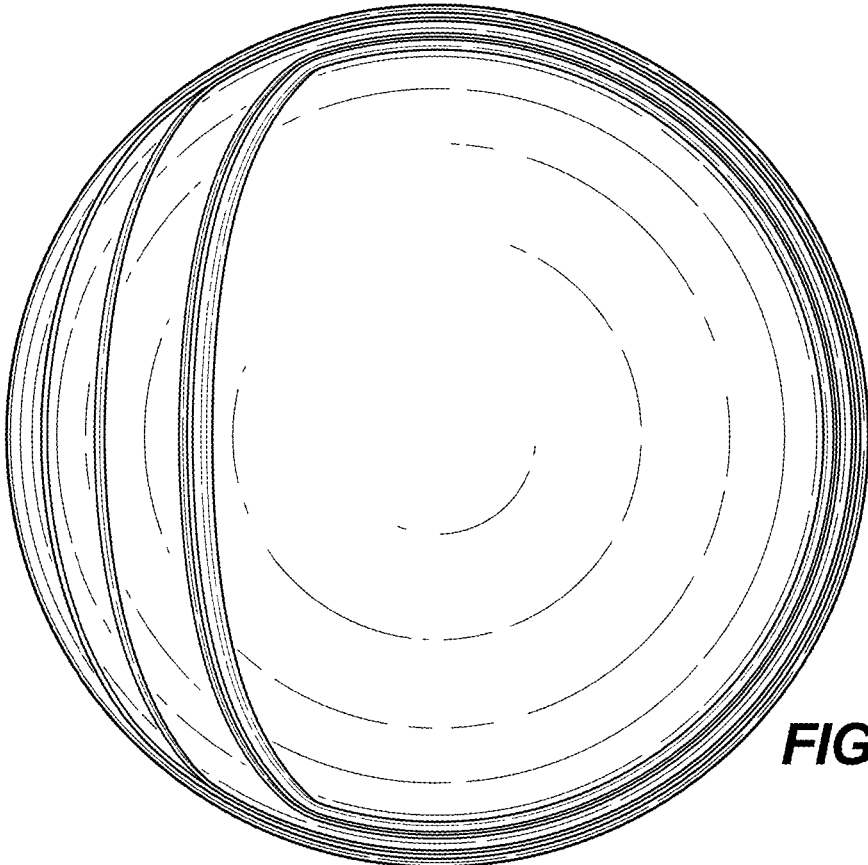


FIG. 6

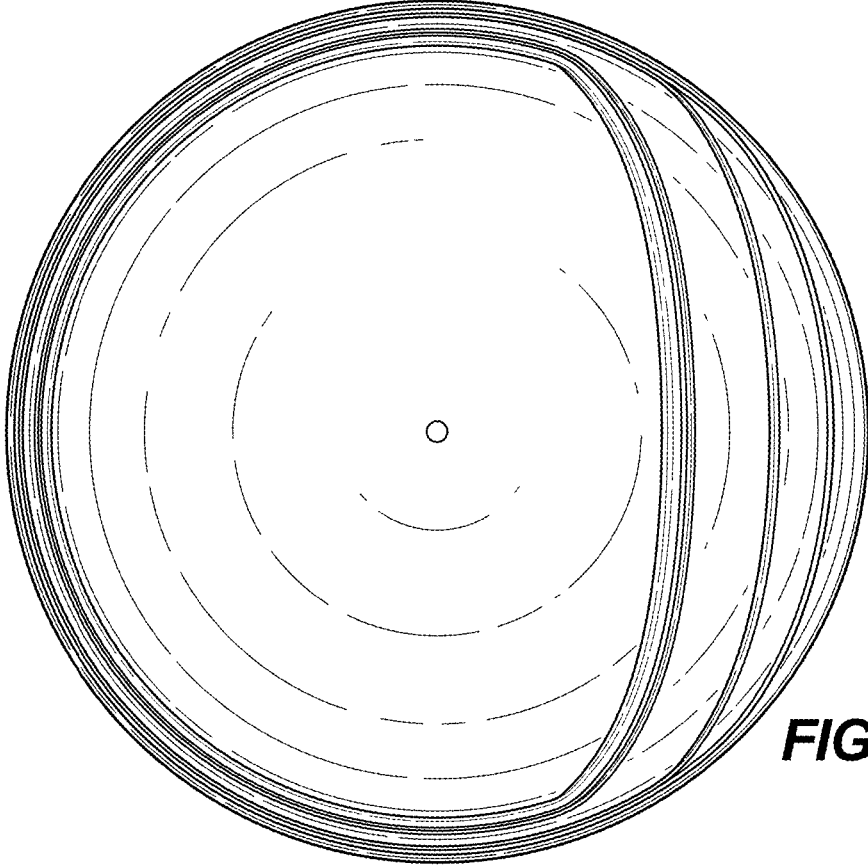


FIG. 7