

United States Patent [19]

Eisenberg et al.

[11] Patent Number: Des. 298,339

[45] Date of Patent: ** Nov. 1, 1988

[54] TAPE DISPENSER

[75] Inventors: Peter M. Eisenberg, Minneapolis;
Richard H. Schmidt, Cottage Grove,
both of Minn.

[73] Assignee: Minnesota Mining and
Manufacturing Company, St. Paul,
Minn.

[**] Term: 14 Years

[21] Appl. No.: 862,387

[22] Filed: May 9, 1986

[52] U.S. Cl. D19/67

[58] Field of Search D19/67-69;
225/6, 77, 56, 45, 89, 65, 19; 312/39

[56]

References Cited

U.S. PATENT DOCUMENTS

D. 157,219 2/1950 Vavrik D19/68
D. 164,733 10/1951 Pretzfelder D19/69
D. 185,639 7/1959 Hofmann-Igl D19/69

Primary Examiner—Charles A. Rademaker
Attorney, Agent, or Firm—Donald M. Sell; John C.
Barnes

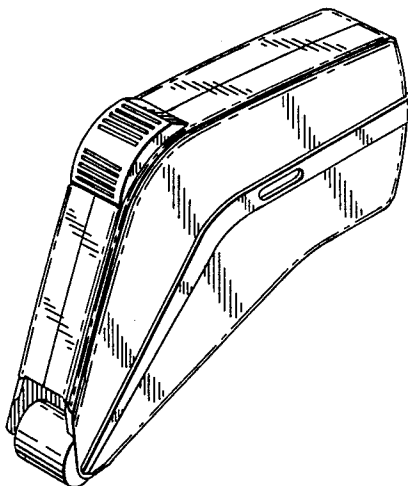
[57]

CLAIM

The ornamental design for a tape dispenser, as shown.

DESCRIPTION

FIG. 1 is a perspective view of a tape dispenser showing our new design;
FIG. 2 is a left side elevational view;
FIG. 3 is a right side elevational view;
FIG. 4 is a rear elevational view;
FIG. 5 is a front elevational view;
FIG. 6 is a top plan view; and
FIG. 7 is a bottom plan view.



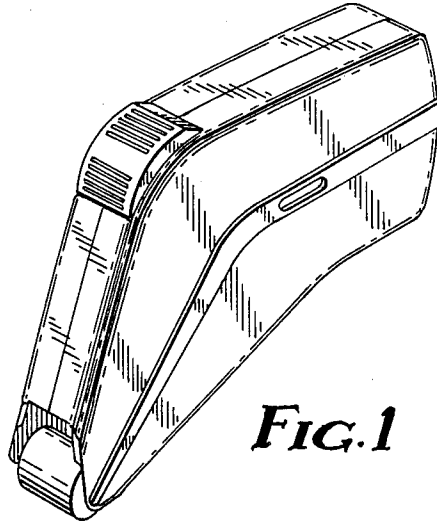


FIG. 1

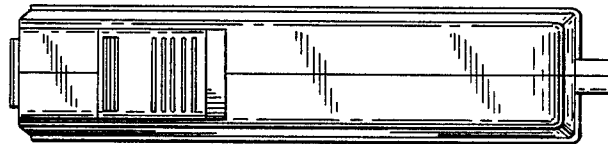


FIG. 6



FIG. 7

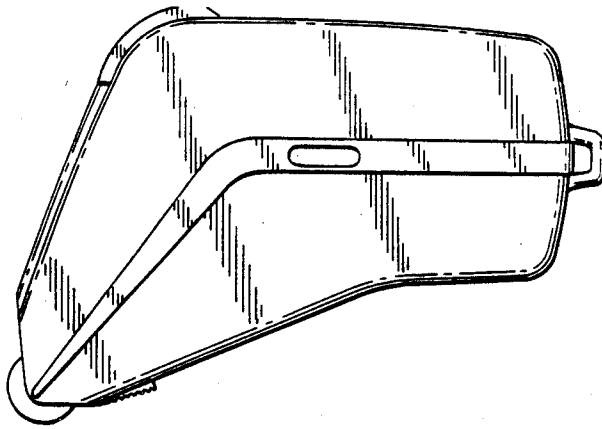


FIG. 2

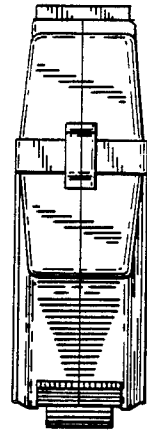


FIG. 4

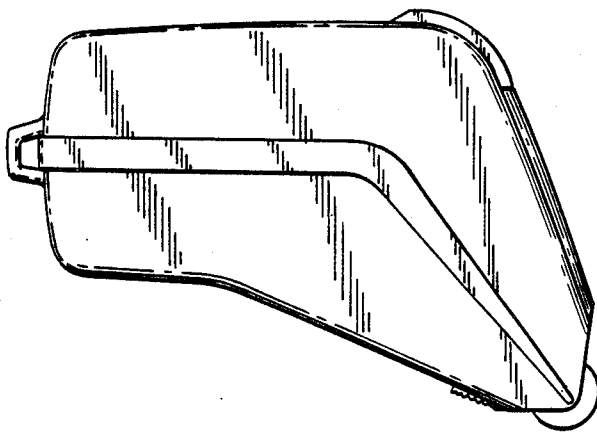


FIG. 3

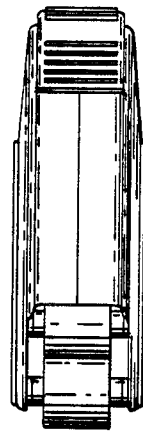


FIG. 5