



US00D563483S

(12) **United States Design Patent**  
**Klamer**

(10) **Patent No.:** **US D563,483 S**

(45) **Date of Patent:** **\*\* Mar. 4, 2008**

(54) **GAME**

(75) Inventor: **Reuben B. Klamer**, San Diego, CA (US)

(73) Assignee: **The Reuben B. Klmaer Living Trust**, San Diego, CA (US)

(\*\*) Term: **14 Years**

(21) Appl. No.: **29/277,837**

(22) Filed: **Mar. 12, 2007**

**Related U.S. Application Data**

(63) Continuation-in-part of application No. 29/234,770, filed on Jul. 21, 2005, now Pat. No. Des. 541,879.

(51) **LOC (8) Cl.** ..... **21-01**

(52) **U.S. Cl.** ..... **D21/385; D21/371**

(58) **Field of Classification Search** ..... D21/334-369, D21/371, 374, 385-386, 392-396; 273/236-288, 273/139, 142 R, 142 H, 146, 292

See application file for complete search history.

(56) **References Cited**

**U.S. PATENT DOCUMENTS**

- 4,291,881 A \* 9/1981 Klamer ..... 273/142 H
- 4,469,329 A \* 9/1984 Guyer ..... 273/146
- 4,941,665 A \* 7/1990 Klamer ..... 273/142 H
- 6,352,258 B1 \* 3/2002 Fitzgerald et al. .... 273/138.1

- 6,719,290 B1 \* 4/2004 Kershner ..... 273/272
- 2005/0023749 A1 \* 2/2005 Annis et al. .... 273/138.1

\* cited by examiner

*Primary Examiner*—Sandra L. Morris

(74) *Attorney, Agent, or Firm*—Snell & Wilmer LLP

(57) **CLAIM**

The ornamental design for the game, as shown and described.

**DESCRIPTION**

FIG. 1 is a perspective view of a game showing an embodiment of the new design;

FIG. 2 is a front side view of the game of FIG. 1;

FIG. 3 is a back view of the game of FIG. 1;

FIG. 4 is a right side view of the game of FIG. 1;

FIG. 5 is a left side view of the game of FIG. 1;

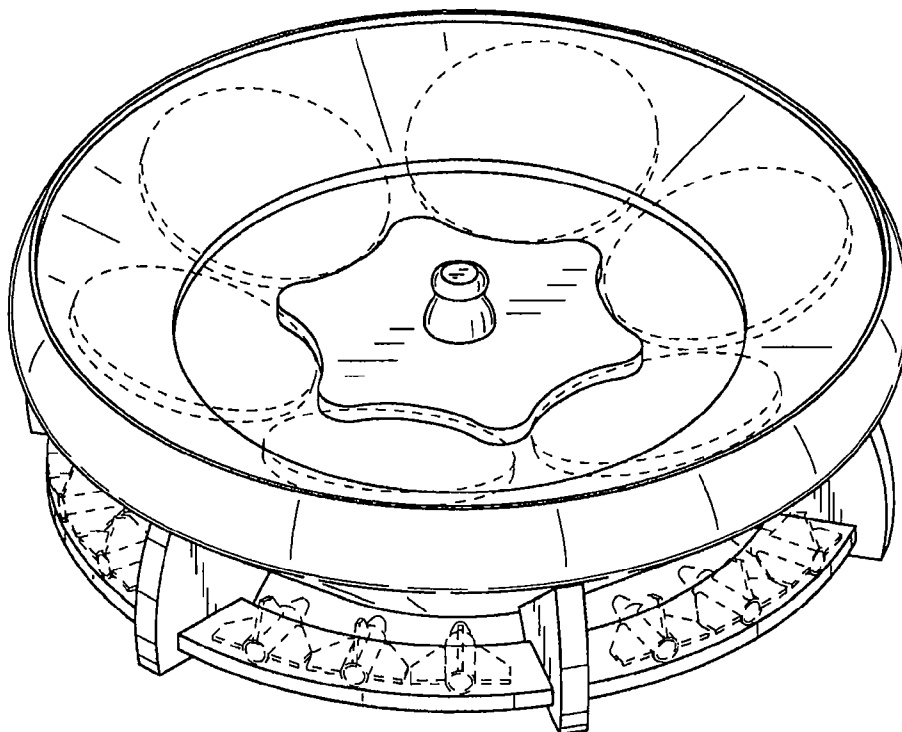
FIG. 6 is a top view of the game of FIG. 1; and

FIG. 7 is a bottom view of the game of FIG. 1; and,

FIG. 8 is a perspective view thereof, showing the game in an alternative intended use.

Dotted lines shown in the accompanying drawings are intended to illustrate environmental features and are not intended to be a part of the claimed drawing in the figures in which they appear.

**1 Claim, 6 Drawing Sheets**



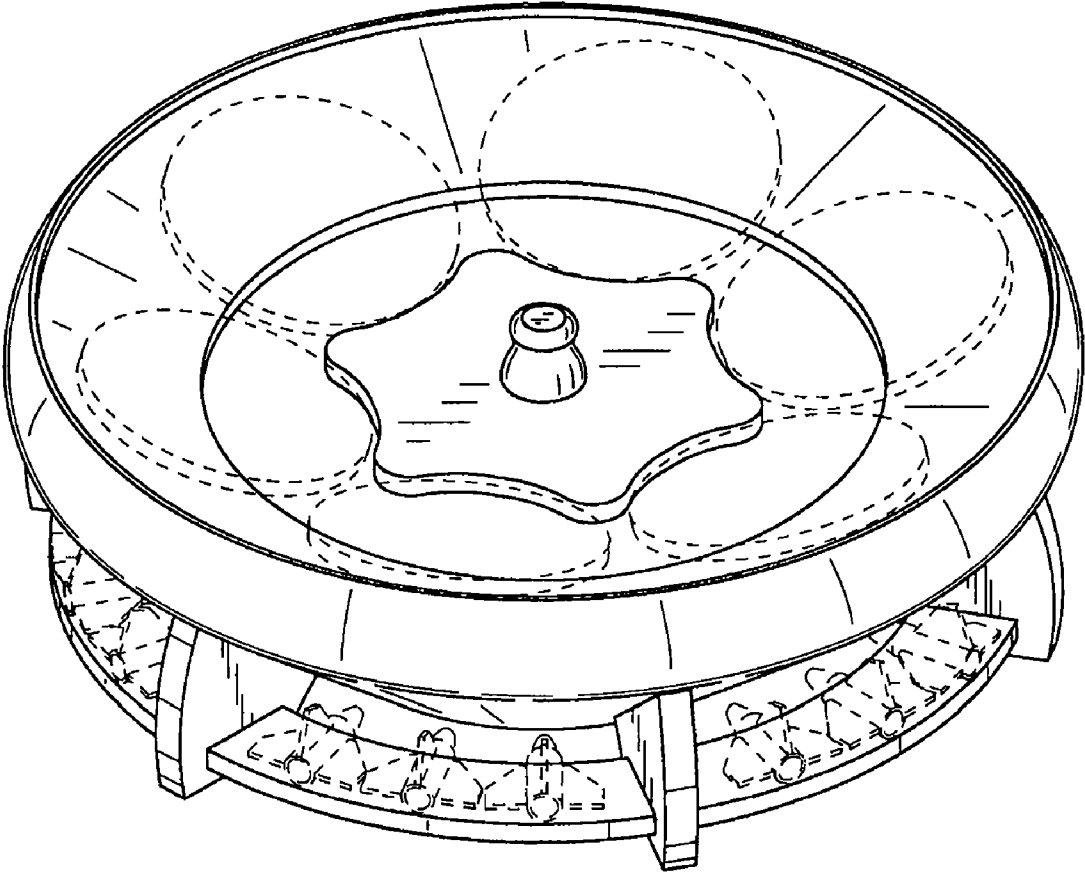


FIG.1

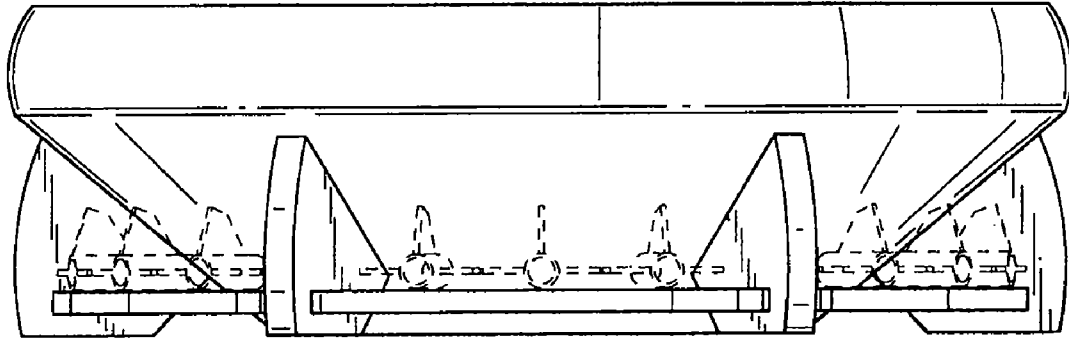


FIG. 2

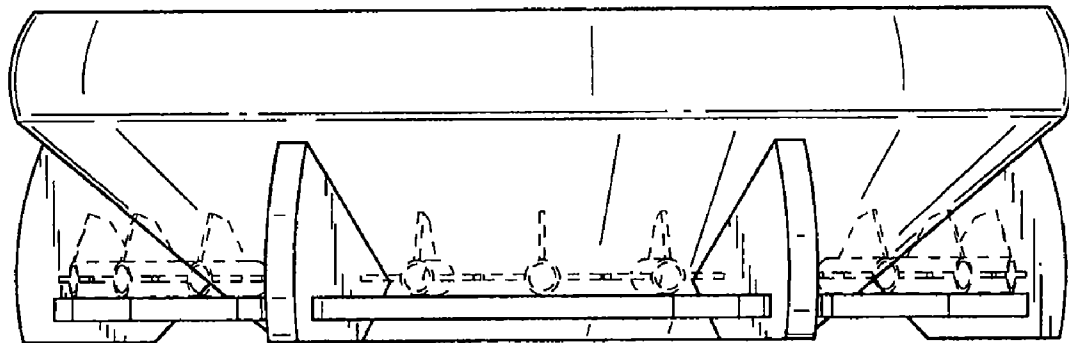


FIG. 3

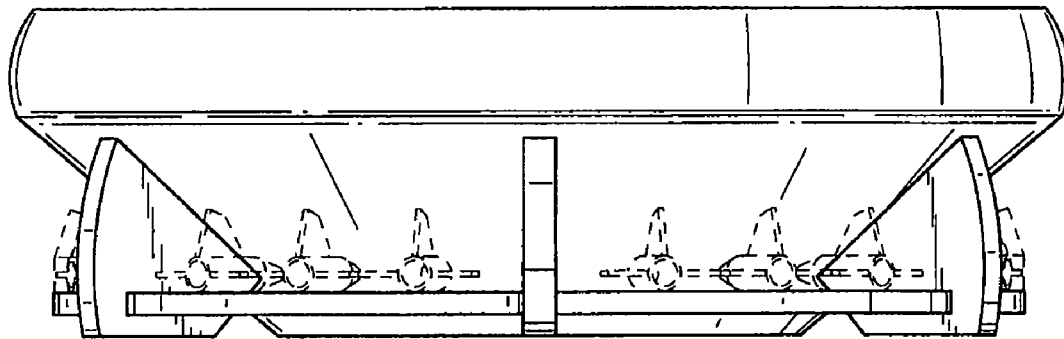


FIG. 4

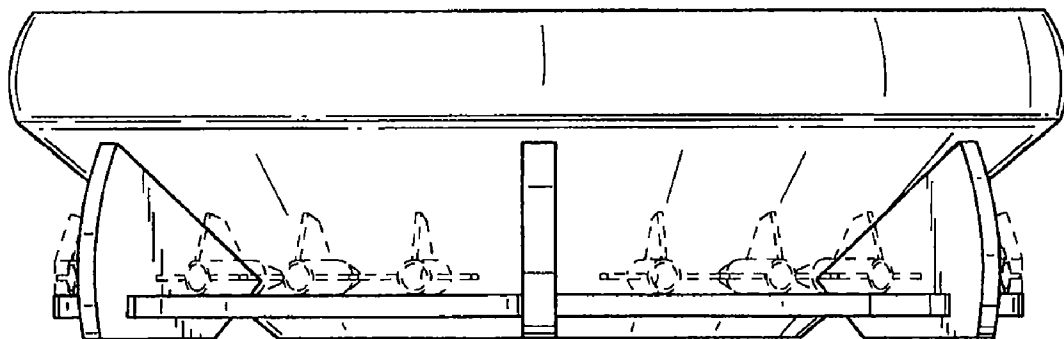


FIG. 5

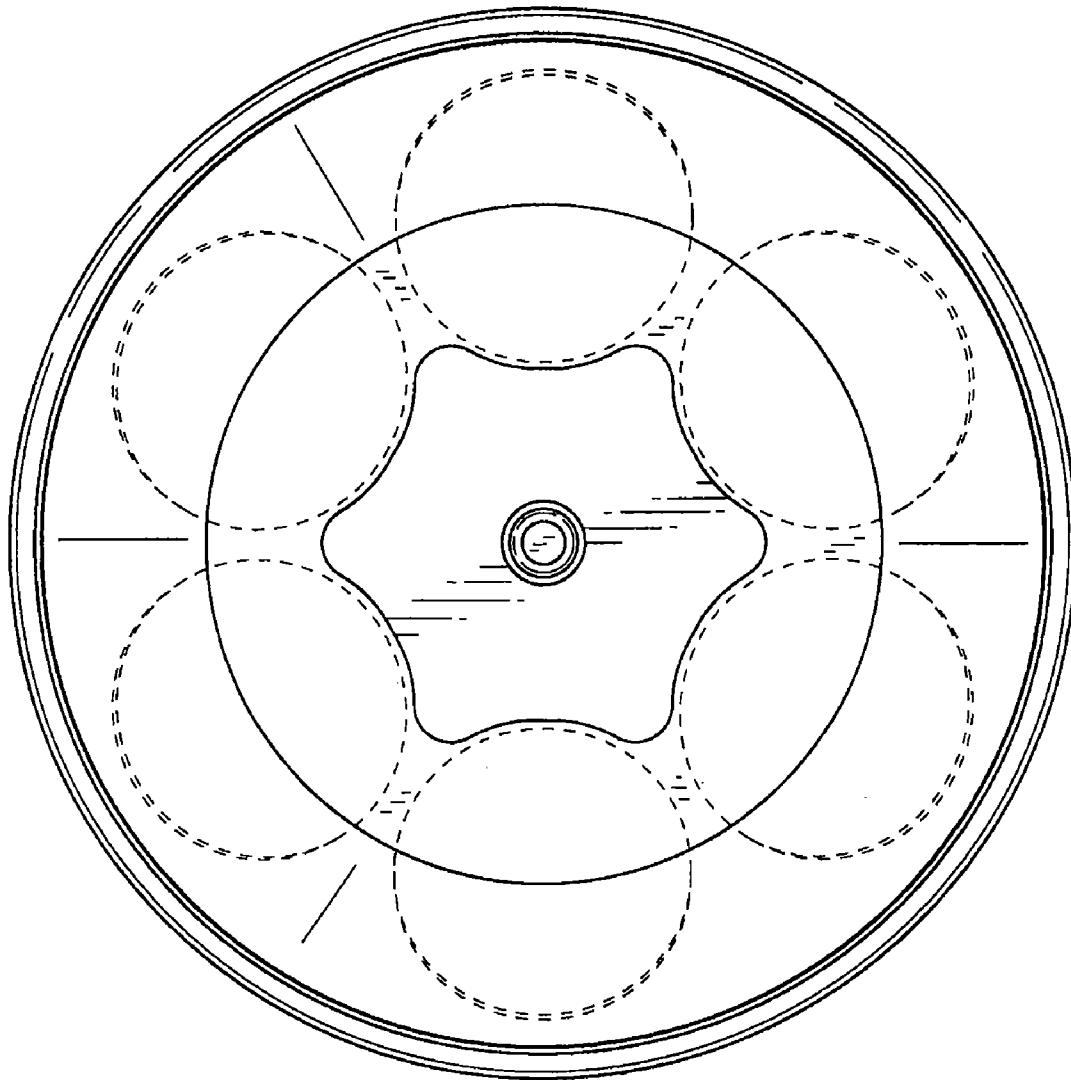


FIG.6

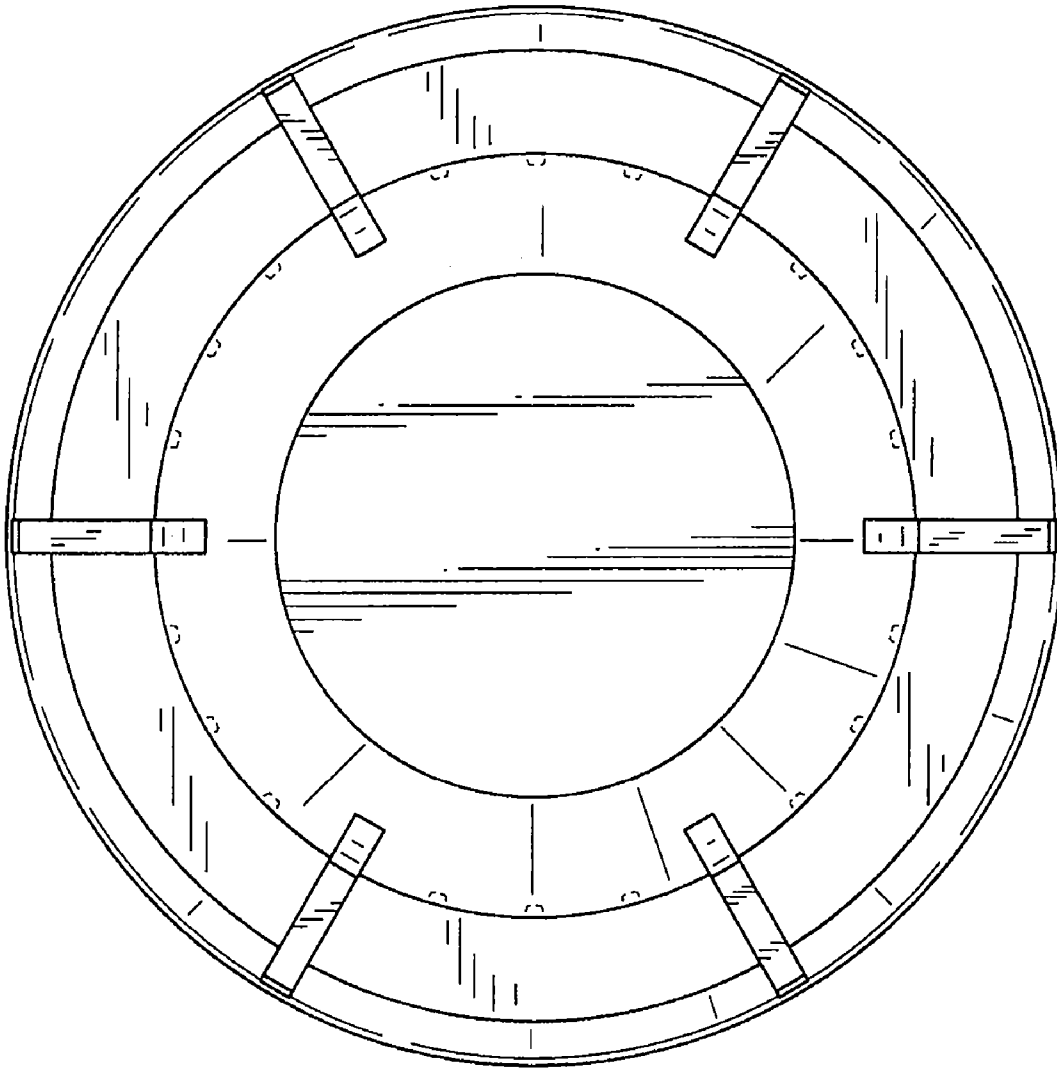


FIG.7

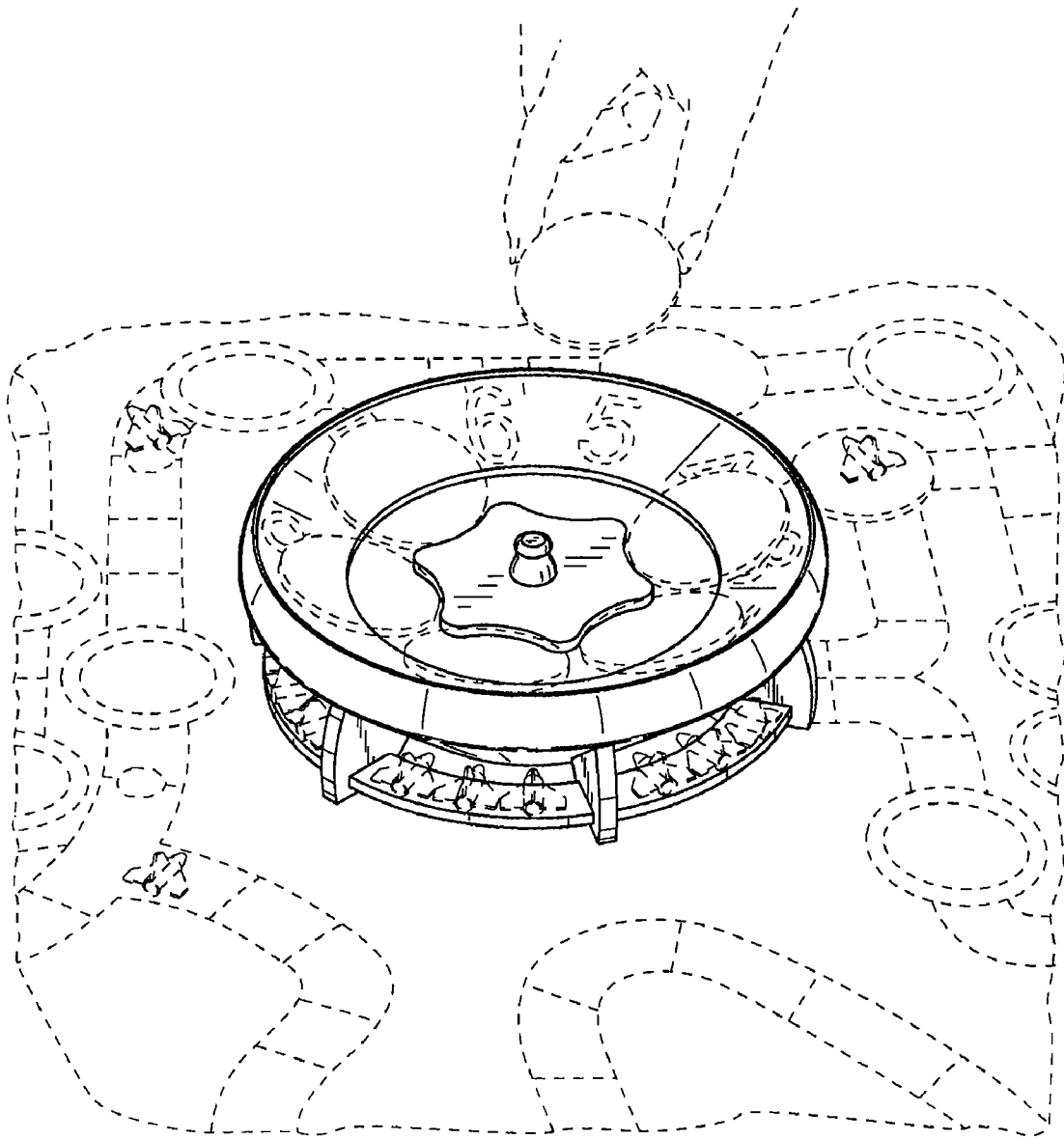


FIG.8