



US00D828500S

(12) **United States Design Patent**  
**Schoenherr et al.**

(10) **Patent No.:** **US D828,500 S**

(45) **Date of Patent:** **\*\* \*Sep. 11, 2018**

- (54) **FAUCET**
- (71) Applicant: **HANSGROHE SE**, Schiltach (DE)
- (72) Inventors: **Tom Schoenherr**, Stuttgart (DE);  
**Andreas Diefenbach**,  
Ludwigsburg-Oßweil (DE); **Yunwei**  
**Zhu**, Stuttgart (DE)

D700,956 S *	3/2014	Schoenherr .....	D23/238
D726,880 S	4/2015	Kington et al.	
D757,223 S *	5/2016	Schoenherr .....	D23/238
D760,354 S *	6/2016	Citterio .....	D23/238
D760,355 S *	6/2016	Citterio .....	D23/238
D762,820 S *	8/2016	Schoenherr .....	D23/238
D767,721 S *	9/2016	Yoshioka .....	D23/238

- (73) Assignee: **Hansgrohe SE**, Schiltach (DE)
- (\* ) Notice: This patent is subject to a terminal disclaimer.
- (\*\*) Term: **15 Years**
- (21) Appl. No.: **29/586,646**
- (22) Filed: **Dec. 6, 2016**

**FOREIGN PATENT DOCUMENTS**

EM	001857947-0002	5/2011
EM	001377097-0010	7/2013
EM	001377097-0037	7/2013
EM	001377097-0045	7/2013
EM	002303776-0001	9/2013
EM	002380311-0001	1/2014
EM	002625244-0001	2/2015
EM	002625244-0002	2/2015
EM	002625244-0004	2/2015

\* cited by examiner

*Primary Examiner* — Robert A Delehanty  
(74) *Attorney, Agent, or Firm* — Lora J. Graentzdoerffer

(30) **Foreign Application Priority Data**

Jun. 8, 2016 (EM) ..... 003180363-0005

(51) **LOC (11) Cl.** ..... **23-01**

(52) **U.S. Cl.**  
USPC ..... **D23/238**

(58) **Field of Classification Search**  
USPC ..... D23/238, 241–243, 249–250, 252,  
D23/254–255, 257; D8/307–308  
CPC ..... Y10T 137/9464  
See application file for complete search history.

(57) **CLAIM**

The ornamental design for a faucet, as shown and described.

**DESCRIPTION**

FIG. 1 is a perspective view of a faucet showing our design; FIG. 2 is a front elevation view; FIG. 3 is a rear elevation view; FIG. 4 is a right side elevation view; FIG. 5 is a left side elevation view; FIG. 6 is a top plan view; and, FIG. 7 is a bottom plan view.

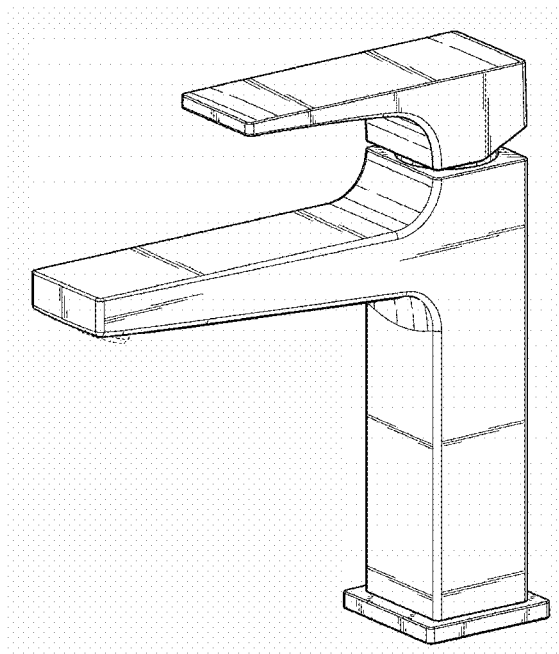
The broken-line disclosure in the view represents a portion of the faucet in which the claimed design is embodied, but which forms no part of the claimed design.

(56) **References Cited**

**U.S. PATENT DOCUMENTS**

D517,169 S *	3/2006	Ogata .....	D23/238
D645,938 S *	9/2011	Ando .....	D23/238
D691,242 S	10/2013	Gessi	

**1 Claim, 7 Drawing Sheets**



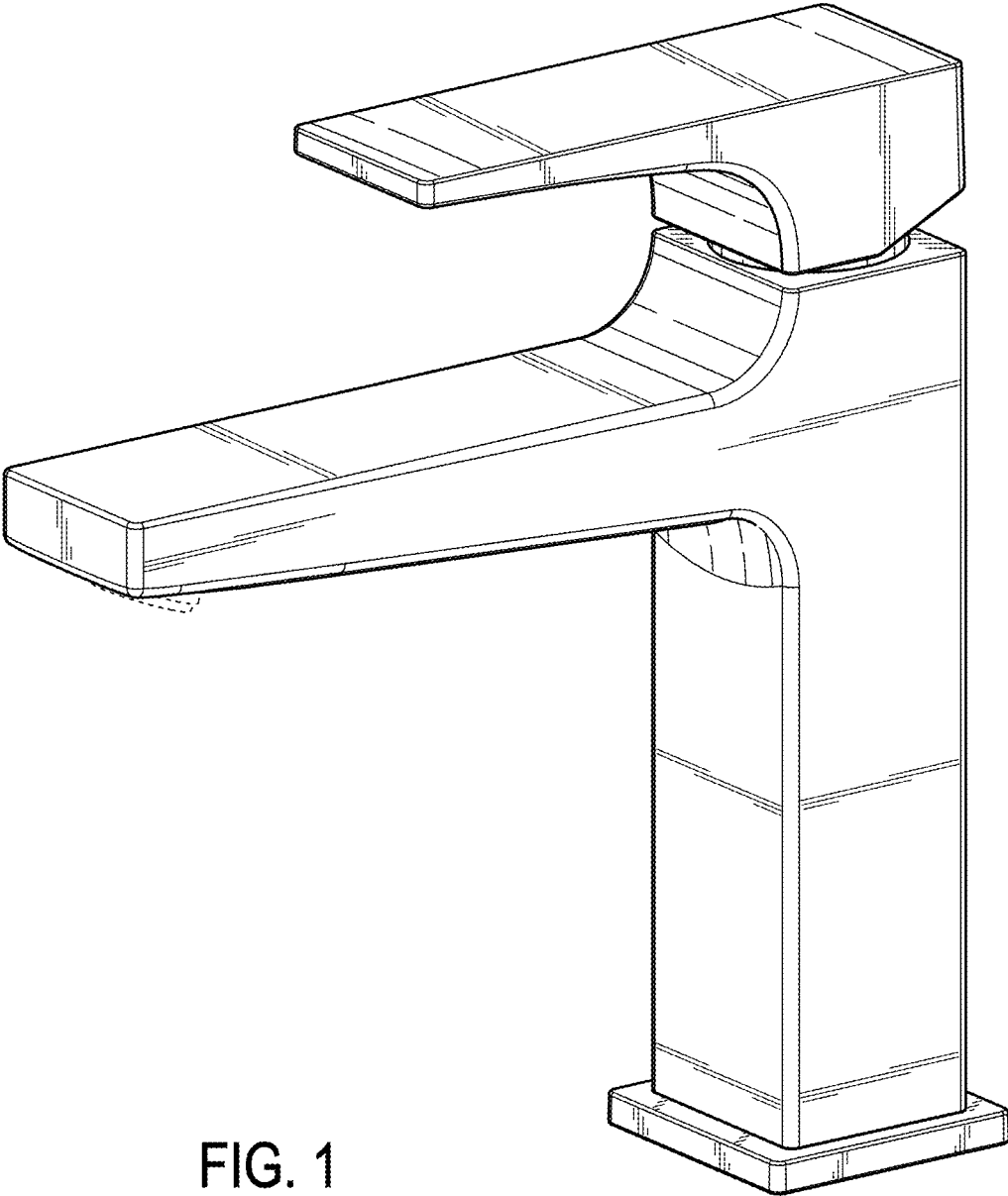


FIG. 1

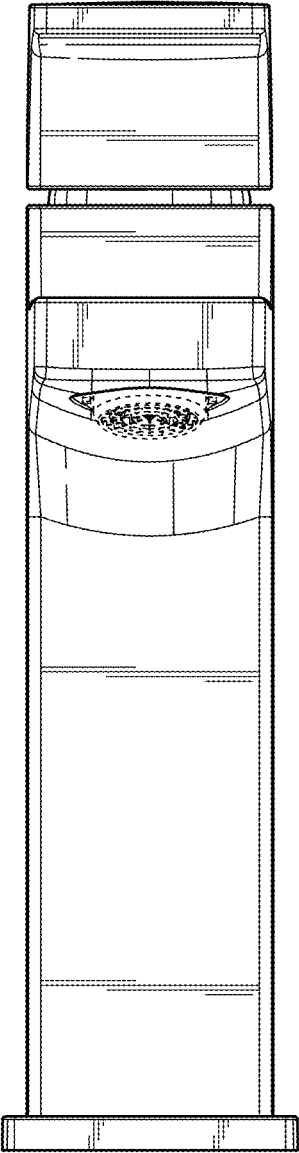


FIG. 2

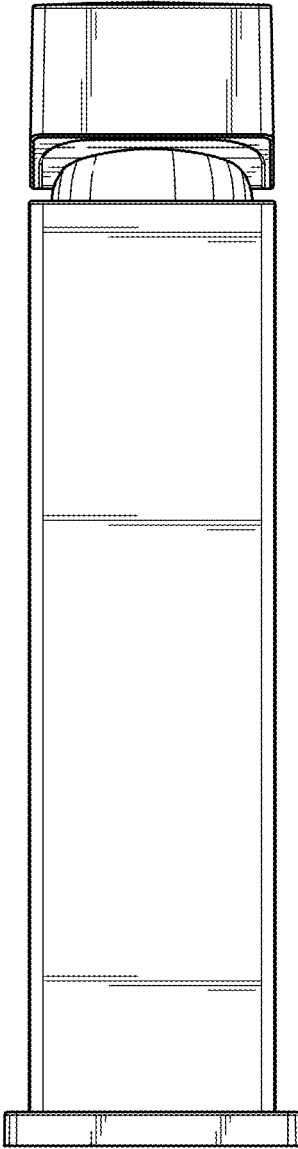


FIG. 3

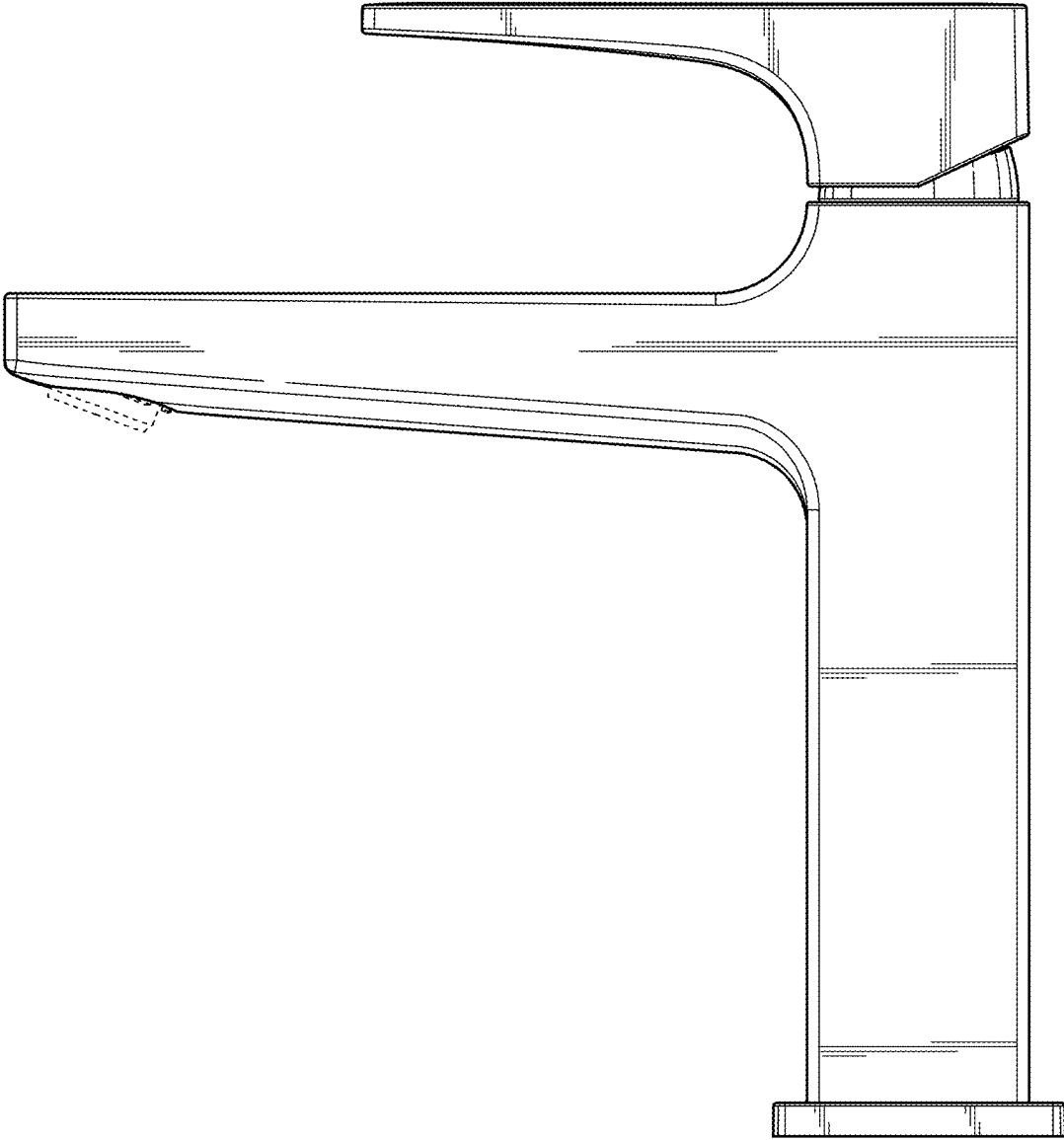


FIG. 4

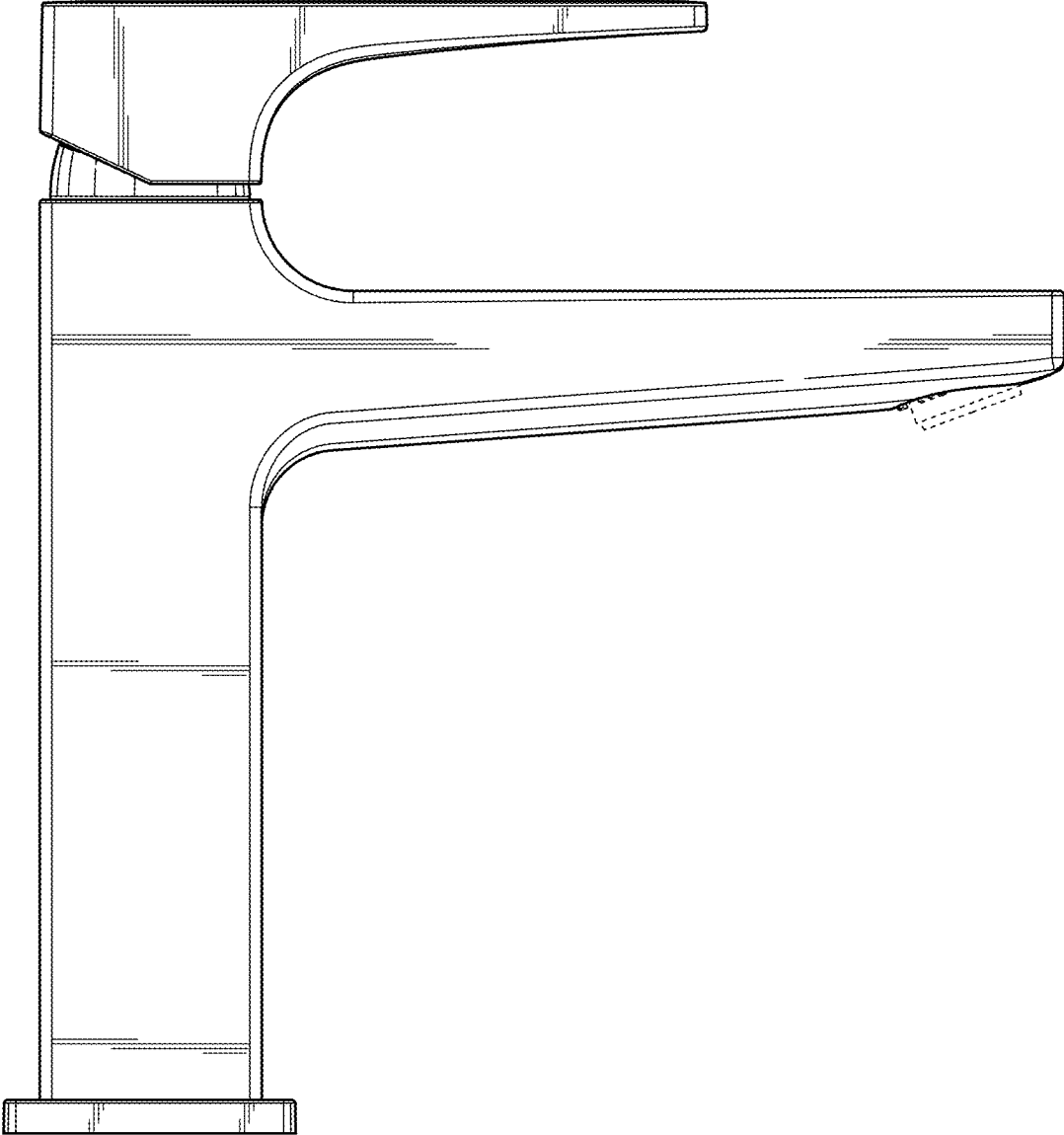


FIG. 5

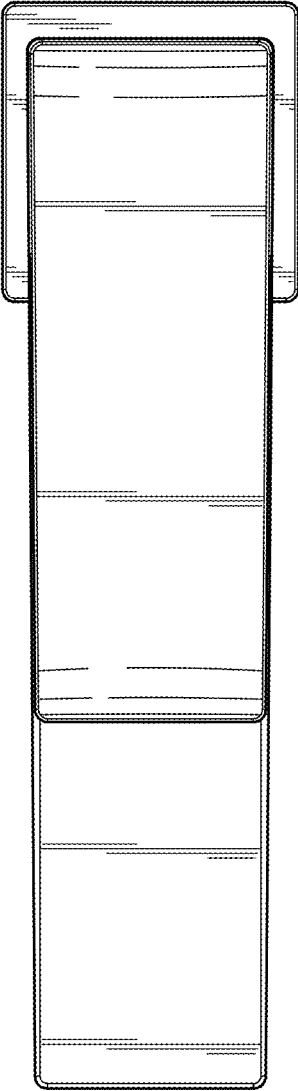


FIG. 6

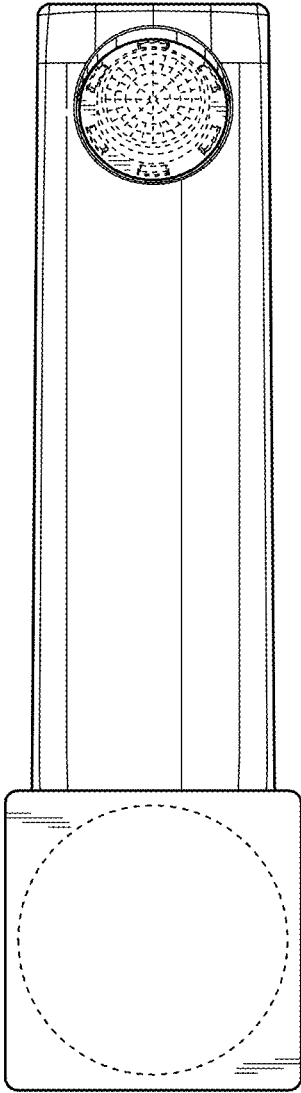


FIG. 7