



(12) **United States Design Patent**  
**Tang et al.**

(10) **Patent No.:** **US D938,635 S**  
(45) **Date of Patent:** **\*\* Dec. 14, 2021**

- (54) **FLASHLIGHT**
- (71) Applicant: **Energizer Brands, LLC**, St. Louis, MO (US)
- (72) Inventors: **Wo Tang**, St. Louis, MO (US);  
**Timothy J. Rugendyke**, St. Louis, MO (US); **Angelo Kotsis**, St. Louis, MO (US); **John Zhao**, St. Louis, MO (US); **Jason R. Bennett**, St. Louis, MO (US)

D448,876 S 10/2001 Osiecki et al.  
D448,878 S 10/2001 Dalton et al.  
D449,395 S 10/2001 Dalton et al.

(Continued)

**FOREIGN PATENT DOCUMENTS**

CN 302415703 4/2013  
CN 303938127 \* 11/2016

(Continued)

**OTHER PUBLICATIONS**

“Energizer Rubber LED Flashlight,” Jun. 26, 2012, amazon.com, site visited Jul. 29, 2021, URL: [https://www.amazon.com/Energizer-2AA-Rubber-Flashlight-Black/dp/B003USM3AE/ref=sr\\_1\\_56?dchild=1&keywords=energizer%2Bflashlight&qid=1627591447&sr=8-56&th=1](https://www.amazon.com/Energizer-2AA-Rubber-Flashlight-Black/dp/B003USM3AE/ref=sr_1_56?dchild=1&keywords=energizer%2Bflashlight&qid=1627591447&sr=8-56&th=1) (Year: 2012).\*

(Continued)

- (73) Assignee: **Energizer Brands, LLC**, St. Louis, MO (US)
- (\*\*) Term: **15 Years**
- (21) Appl. No.: **29/755,398**
- (22) Filed: **Oct. 20, 2020**
- (51) **LOC (13) Cl.** ..... **26-02**
- (52) **U.S. Cl.** ..... **D26/37**  
USPC ..... **D26/37**
- (58) **Field of Classification Search**  
USPC ..... D26/37-44, 46-52; D10/111-115  
CPC . F21L 4/022; F21L 4/045; F21L 4/027; F21L 4/085; F21L 14/02; F21L 14/26  
See application file for complete search history.

*Primary Examiner* — Eric L Goodman  
*Assistant Examiner* — Sarah L Smith  
(74) *Attorney, Agent, or Firm* — Alston & Bird LLP

(57) **CLAIM**  
The ornamental design for a flashlight, as shown and described.

**DESCRIPTION**

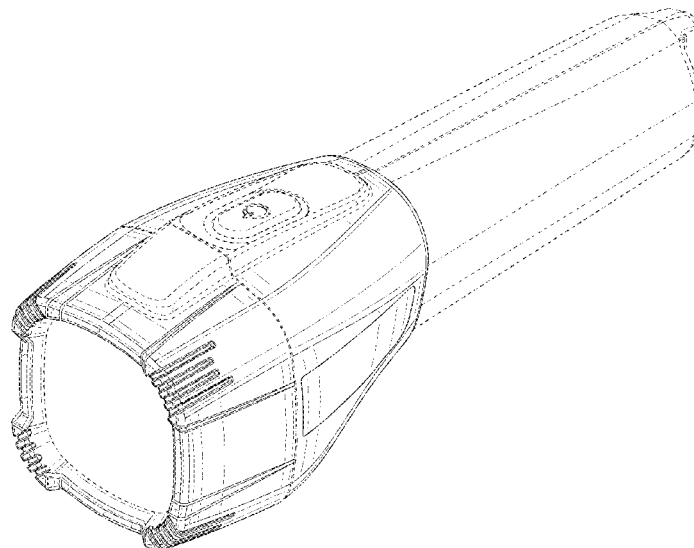
FIG. 1 is a top front perspective view of a flashlight showing a new design.  
FIG. 2 is a bottom rear perspective view of the flashlight of FIG. 1.  
FIG. 3 is a front view the flashlight of FIG. 1.  
FIG. 4 is a back view of the flashlight of FIG. 1.  
FIG. 5 is a left side view of the flashlight of FIG. 1.  
FIG. 6 is a right side view of the flashlight of FIG. 1.  
FIG. 7 is a top view of the flashlight of FIG. 1; and, FIG. 8 is a bottom view of the flashlight of FIG. 1.  
The broken lines are directed to unclaimed features of the flashlight and form no part of the claimed design.

**1 Claim, 8 Drawing Sheets**

(56) **References Cited**

**U.S. PATENT DOCUMENTS**

2,855,499	A	10/1958	Lewis	
3,737,650	A	6/1973	Kaye et al.	
4,803,605	A *	2/1989	Schaller	..... F21V 23/0414
				362/184
D315,608	S *	3/1991	Petterson	..... D26/46
D336,966	S *	6/1993	Yau	..... F21L 4/00
				D26/49
D356,650	S	3/1995	Petterson et al.	
D360,045	S	7/1995	Inukai	
D421,145	S	2/2000	Man	
D445,934	S	7/2001	Dalton et al.	
D447,259	S	8/2001	Lynch et al.	



# US D938,635 S

(56)

## References Cited

### U.S. PATENT DOCUMENTS

D449,703	S	10/2001 Dalton et al.	D687,995	S	8/2013 Yeh
D452,024	S	12/2001 Sharrah	D688,401	S	8/2013 Kung
D452,025	S	12/2001 Poon	D689,229	S	9/2013 Yeh
D455,513	S	4/2002 Galli	D689,230	S	9/2013 Yeh
D465,865	S	11/2002 Hamilton et al.	D690,448	S	9/2013 Yeh
D467,375	S	12/2002 Lynch et al.	D693,951	S *	11/2013 Rugendyke ..... D26/46
D476,104	S *	6/2003 Dalton ..... D26/48	D706,476	S	6/2014 Lee
D480,824	S	10/2003 Englert et al.	D707,869	S	6/2014 Wu
D480,825	S	10/2003 Englert et al.	8,783,908	B2	7/2014 Gross et al.
D480,826	S	10/2003 Englert et al.	D716,983	S	11/2014 Ma
D483,784	S	12/2003 Ting	D728,139	S	4/2015 Wang
D487,810	S *	3/2004 Kingston ..... D26/44	D742,570	S *	11/2015 Brown ..... F21V 23/0414 D26/46
D492,807	S	7/2004 Dalton et al.	D743,075	S	11/2015 Keaton
D493,904	S	8/2004 Dalton et al.	D744,136	S	11/2015 Osiecki et al.
D494,299	S	8/2004 Dalton et al.	D757,850	S	5/2016 Zhang
D494,694	S *	8/2004 Krieger ..... D26/37	D765,899	S	9/2016 Hine et al.
D496,116	S	9/2004 Abernethy et al.	D767,184	S	9/2016 Fitch et al.
D496,482	S	9/2004 Osiecki et al.	D767,187	S	9/2016 Hine
D499,499	S	12/2004 Cetera	D770,071	S	10/2016 Windom et al.
D501,056	S	1/2005 Dalton et al.	D772,456	S	11/2016 Chen
D502,278	S	2/2005 Dalton et al.	D785,841	S	5/2017 Brown et al.
D502,564	S *	3/2005 Dalton ..... D26/49	D785,940	S	5/2017 Reed
D503,991	S	4/2005 Dalton et al.	D788,965	S	6/2017 Roshak et al.
D504,534	S	4/2005 Osiecki et al.	D798,482	S	9/2017 O'Doherty et al.
D504,737	S	5/2005 Osiecki et al.	D799,087	S	10/2017 Koshiba
D504,740	S	5/2005 Dalton et al.	D806,295	S	12/2017 Kang et al.
D504,966	S	5/2005 Osiecki et al.	9,845,938	B1	12/2017 Kaye et al.
D504,970	S *	5/2005 Dalton ..... D26/49	D810,978	S	2/2018 Windom
D507,064	S	7/2005 Osiecki et al.	D811,636	S	2/2018 Galli et al.
D507,364	S	7/2005 Lo	9,933,146	B2	4/2018 Maglica et al.
D514,721	S	2/2006 Osiecki et al.	D817,528	S	5/2018 Wu
D518,216	S	3/2006 Rugendyke et al.	D818,621	S	5/2018 Kunzendorf
D518,217	S	3/2006 Rugendyke et al.	D822,864	S	7/2018 Windom
D520,161	S	5/2006 Krieger et al.	D826,439	S	8/2018 Ma
7,070,297	B1	7/2006 Muhl nickel, Jr.	D833,661	S	11/2018 Ma
D531,337	S	10/2006 Dalton et al.	D837,428	S	1/2019 Arena
D531,747	S	11/2006 Brown	D840,854	S	2/2019 Shi et al.
D536,464	S	2/2007 Kingston et al.	D844,204	S	3/2019 Ma
D544,118	S	6/2007 Osiecki et al.	D844,874	S	4/2019 Eichelberger et al.
D549,373	S	8/2007 Osiecki et al.	D846,783	S	4/2019 Eichelberger
D549,377	S	8/2007 Osiecki et al.	D849,979	S	5/2019 Lehovetzki
D552,279	S	10/2007 Osiecki et al.	D851,310	S	6/2019 Windom et al.
D552,280	S	10/2007 Osiecki et al.	D851,797	S	6/2019 Sharrah
D552,776	S	10/2007 Osiecki et al.	D855,850	S *	8/2019 Brown ..... D26/46
D553,281	S *	10/2007 Rugendyke ..... D26/46	D858,831	S	9/2019 Proeber
D553,283	S *	10/2007 Rugendyke ..... D26/49	D866,030	S	11/2019 Bao
D554,786	S	11/2007 Rugendyke et al.	D866,830	S	11/2019 Pan et al.
D560,297	S	1/2008 Brown et al.	D871,639	S	12/2019 Prieto
D562,480	S	2/2008 Spartano et al.	D882,840	S	4/2020 Liu
D574,529	S	8/2008 Squires et al.	D883,546	S *	5/2020 Li ..... D26/49
D577,140	S	9/2008 Brown et al.	D891,663	S	7/2020 Weizel
D579,135	S	10/2008 Shiu	D894,456	S	8/2020 Luo
D582,915	S	12/2008 Leung	D895,868	S	9/2020 Christensen
D589,635	S	3/2009 Rugendyke et al.	D897,578	S	9/2020 Le
D598,151	S	8/2009 McGraw	D897,579	S	9/2020 Le
D603,990	S	11/2009 Brown et al.	D905,885	S	12/2020 Kotsis et al.
D605,795	S	12/2009 Baker et al.	D907,826	S	1/2021 Christensen
D617,023	S *	6/2010 Rugendyke ..... F21V 23/0414 D26/46	D914,938	S	3/2021 Qiu
D620,161	S	7/2010 Kang et al.	D917,753	S	4/2021 Guo et al.
D622,428	S	8/2010 Crawford et al.	2004/0012955	A1	1/2004 Hsieh
D625,448	S	10/2010 Brown et al.	2004/0095759	A1	5/2004 Koch et al.
D628,727	S	12/2010 Risch et al.	2006/0274520	A1 *	12/2006 Dalton ..... F21V 23/0414 362/157
D629,941	S	12/2010 Robinson et al.	2008/0304258	A1	12/2008 McMillan et al.
D630,783	S	1/2011 Baker et al.	2009/0147506	A1	6/2009 Robinson
D637,747	S	5/2011 Hesse et al.	2010/0046211	A1	2/2010 Spartano et al.
D641,510	S	7/2011 Wang	2010/0090613	A1	4/2010 Spartano
D649,275	S	11/2011 Crawford et al.	2015/0267882	A1	9/2015 O'Brien
D658,322	S	4/2012 Wu	2016/0381755	A1 *	12/2016 Qiu ..... F21L 4/00 362/205
D661,734	S	6/2012 Johnson	2020/0018449	A1	1/2020 Christensen
D675,764	S	2/2013 Boutet et al.	2020/0400302	A1	12/2020 Zhu et al.
D676,170	S	2/2013 Feng et al.	FOREIGN PATENT DOCUMENTS		
D676,993	S *	2/2013 Kotsis ..... D26/46	CN	304718569	* 7/2018
8,382,312	B2	2/2013 Crawford et al.	CN	305190490	5/2019
D681,858	S	5/2013 Sharrah et al.	CN	305246246	7/2019

(56)

**References Cited**

## FOREIGN PATENT DOCUMENTS

CN	305318325	8/2019	
CN	305525587	12/2019	
EM	001176739-0001	11/2009	
EM	002536789-0001	* 9/2014	
EM	006496618-0001	5/2019	
GB	5000659	11/2015	
JP	D1424946	9/2011	
WO	WO-2004083714 A1 *	9/2004	..... F21L 4/00

## OTHER PUBLICATIONS

“Dorcy 4 LED Carabineer Waterproof Flashlight,” Nov. 17, 2016, kmart.com, site visited Jun. 24, 2021, URL: <https://www.kmart.com/dorcy-4-led-carabineer-waterproof-flashlight/p-03493785000P> (Year: 2016).\*

“Energizer TouchTech Fashlight,” Apr. 14, 2017, youtube.com, site visited Jun. 24, 2021, URL: <https://www.youtube.com/watch?v=o9LIBh18Di8> (Year: 2017).\*

“Coast HP1 190 Lumen Pure Beam Focusing LED Flashlight,” Feb. 12, 2014, amazon.com, retrieved on Jun. 3, 2021, URL: [https://www.amazon.com/COAST-Lumen-Pure-Focusing-Flashlight/dp/B00IEMUOWU/ref=sr\\_1\\_136?crd=2IX2UPMAO4DEF&dchild=1&keywords=surefire+flashlights&qid=1622772444&sprex=surefire%2Caps%2C173&sr=8-136](https://www.amazon.com/COAST-Lumen-Pure-Focusing-Flashlight/dp/B00IEMUOWU/ref=sr_1_136?crd=2IX2UPMAO4DEF&dchild=1&keywords=surefire+flashlights&qid=1622772444&sprex=surefire%2Caps%2C173&sr=8-136) (Year: 2014).

“Energizer LED Tactical Metal Flashlight,” Apr. 4, 2019, amazon.com, retrieved on Jun. 4, 2021, URL: <https://www.amazon.com/Energizer-Tactical-Flashlight-Aircraft-Grade-Water-Resistant/dp/B07QD4X194> (Year: 2019).

“Streamlight 88065 Pro Tac,” Feb. 11, 2017, amazon.com, retrieved on Jun. 3, 2021, URL: <https://www.amazon.com/Streamlight-88065-Professional-Flashlight-Rechargeable/dp/B06VTLLC13/> (Year: 2017). amazon.com: Energizer LED Pen Light. Date uploaded: Jan. 13, 2020 [site visited Sep. 24, 2020]. Retrieved from internet: [https://www.annazon.com/dp/B083T6C7DK?tag=price17305-20&ascsubtag=wtbs\\_5f6cda009bce145cf8b6287b](https://www.annazon.com/dp/B083T6C7DK?tag=price17305-20&ascsubtag=wtbs_5f6cda009bce145cf8b6287b) (Year: 2020).

ebay.com: Energizer LED Pen Light, Aircraft-Grade Aluminum Body. Undated online product page. Retrieved on Sep. 24, 2020 from <https://www.ebay.com/i/124250146708?chn=ps&norover=1&nnkvt=1&nnkrid=711-117182-37290-0&nnkid=2&itennid=124250146708&targetid=935694488066&device=...> (Year: 2020). Energizer Hard Case Professional Light, [online], [site visited Nov. 13, 2020], [Available from Internet], URL: [https://www.annazon.com/Energizer-Hard-Case-Professional-Light/dp/B000R8J8CQ?ref=ast\\_sto\\_dp&th=1&psc=1](https://www.annazon.com/Energizer-Hard-Case-Professional-Light/dp/B000R8J8CQ?ref=ast_sto_dp&th=1&psc=1) (Year: 2007).

energizer.com: Performance Metal Inspection Light. Undated online product page. Retrieved on Sep. 24, 2020 from <https://www.energizer.com/flashlights-lighting/energizer-performance-metal-inspection-light> (Year: 2020).

amazon.com, “Eveready LED Economy ID Size Flashlight with Battery (2 Pack)”, 8 pages, [retrieved from the Internet Feb. 1, 2021] <URL: <https://www.amazon.com/Eveready-Economy-Size-Flashlight-Battery/dp/B004PZPB2I>>.

doitbest.com, “Energizer 400 Lm. LED 2AA Flashlight”, 3 pages [retrieved from the Internet Sep. 24, 2020] <URL: <https://www.doitbest.com/shop/electrical/batteries-and-flashlights/flashlights-and-lanterns/led-flashlight/energizer-400-Inn-led-2aa-flashlight?SKU=802040>>.

gadgetworld2u.com, “Energizer TAC 1000 6AA Wool Tactical LED Flashlight PMHT61”, 8 pages, [retrieved from the Internet Feb. 1, 2021] <URL: <https://www.gadgetworld2u.com/energizer-tac-1000-6aa-10001-led-flashlight-pmht61>>.

manualzz.com, “Energizer Product Sheet, LED Grip-It (2AA) Batteries”, 2 pages, [retrieved from the Internet Feb. 1, 2021], <URL: <https://manualzz.com/doc/31285241/led-grip-it-2aa---energie-distribution>>.

suntos.com.my, “Eveready One Led Light GPHH25 Included 2 X D Batteries”, 15 pages, [retrieved from the Internet Feb. 1, 2021], <URL: <http://Suntos.com.my/vl/product/eveready-one-led-light-gphh25-included-2-x-d-batteries/?v=7516fd43adaa>>.

“Dorcy 4 LED Carabineer Waterproof Flashlight,” Nov. 17, 2016, kmart.com, site visited Jun. 24, 2021, URL: <https://www.kmart.com/dorcy-4-led-carabineer-waterproof-flashlight/p-03493785000P> (Year: 2016), 8 pages.

“Energizer TouchTech Fashlight,” Apr. 14, 2017, youtube.com, site visited Jun. 24, 2021, URL: <https://www.youtube.com/watch?v=o9LIBh18Di8> (Year: 2017), 1 page.

“Lumen Penlight,” Jun. 8, 2018 (review), amsterdamprinting.com, site visited Jul. 14, 2021, URL: [https://www.amsterdamprinting.com/p/lumen-penlight?id=43984#pd\\_reviews](https://www.amsterdamprinting.com/p/lumen-penlight?id=43984#pd_reviews) (Year: 2018), 6 pages.

“Stylus Pen,” Aug. 23, 2017, amazon.com, site visited Jul. 14, 2021, URL: [https://www.amazon.com/Multi-Function-Capacitive-Touchscreen-Flashlight-Multi-Color/dp/B07534MVYZ/ref=sr\\_1\\_44?dchild=1&keywords=ergonomic+pen+light&qid=1626350304&sr=8-44](https://www.amazon.com/Multi-Function-Capacitive-Touchscreen-Flashlight-Multi-Color/dp/B07534MVYZ/ref=sr_1_44?dchild=1&keywords=ergonomic+pen+light&qid=1626350304&sr=8-44) (Year: 2017), 5 pages.

“White Light Tip Pen,” Nov. 13, 2014, amazon.com, site visited Jul. 14, 2021, URL: <https://www.amazon.com/White-Light-Tip-Pen-LED/dp/B0061WU48W> (Year: 2014), 3 pages.

\* cited by examiner

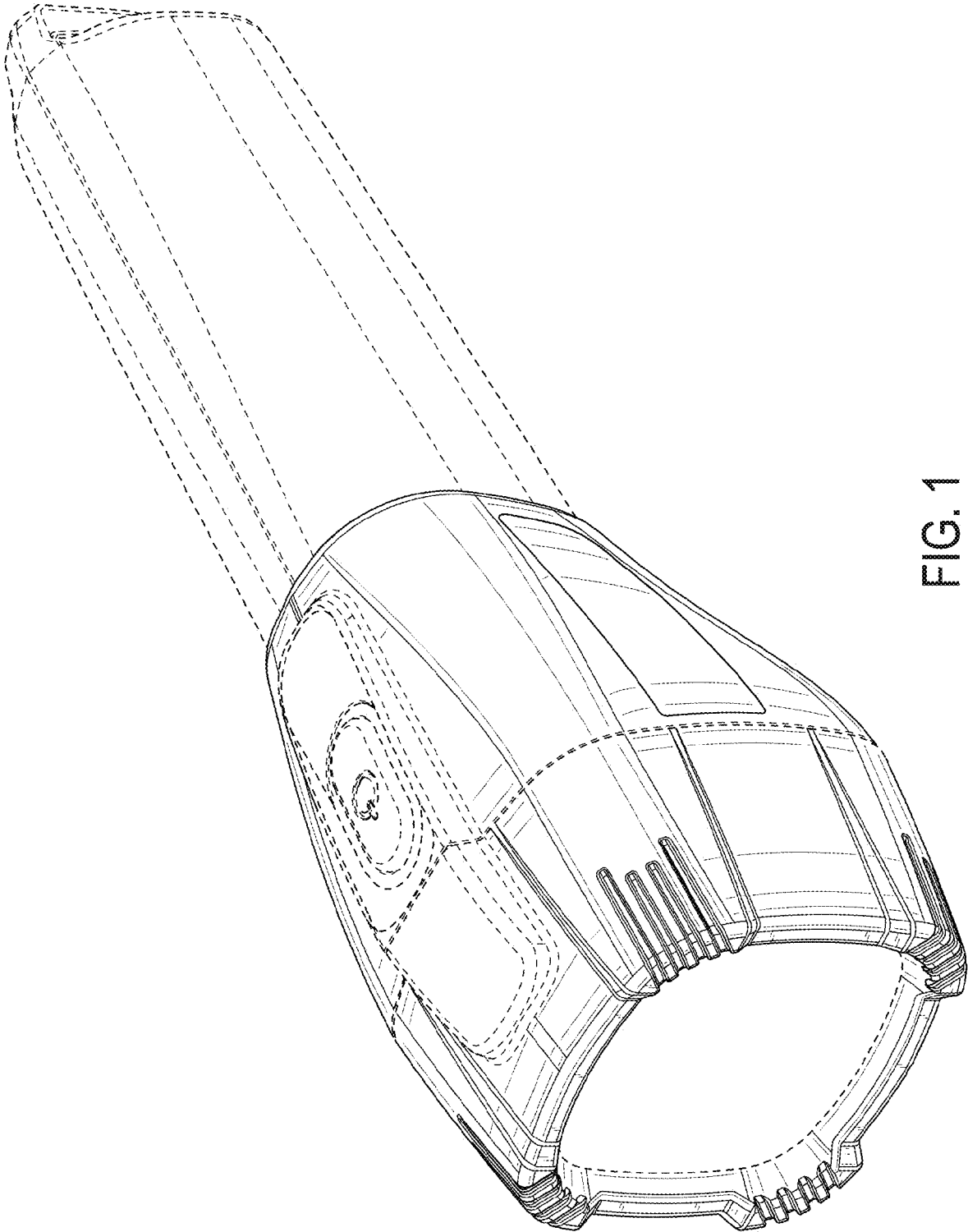


FIG. 1

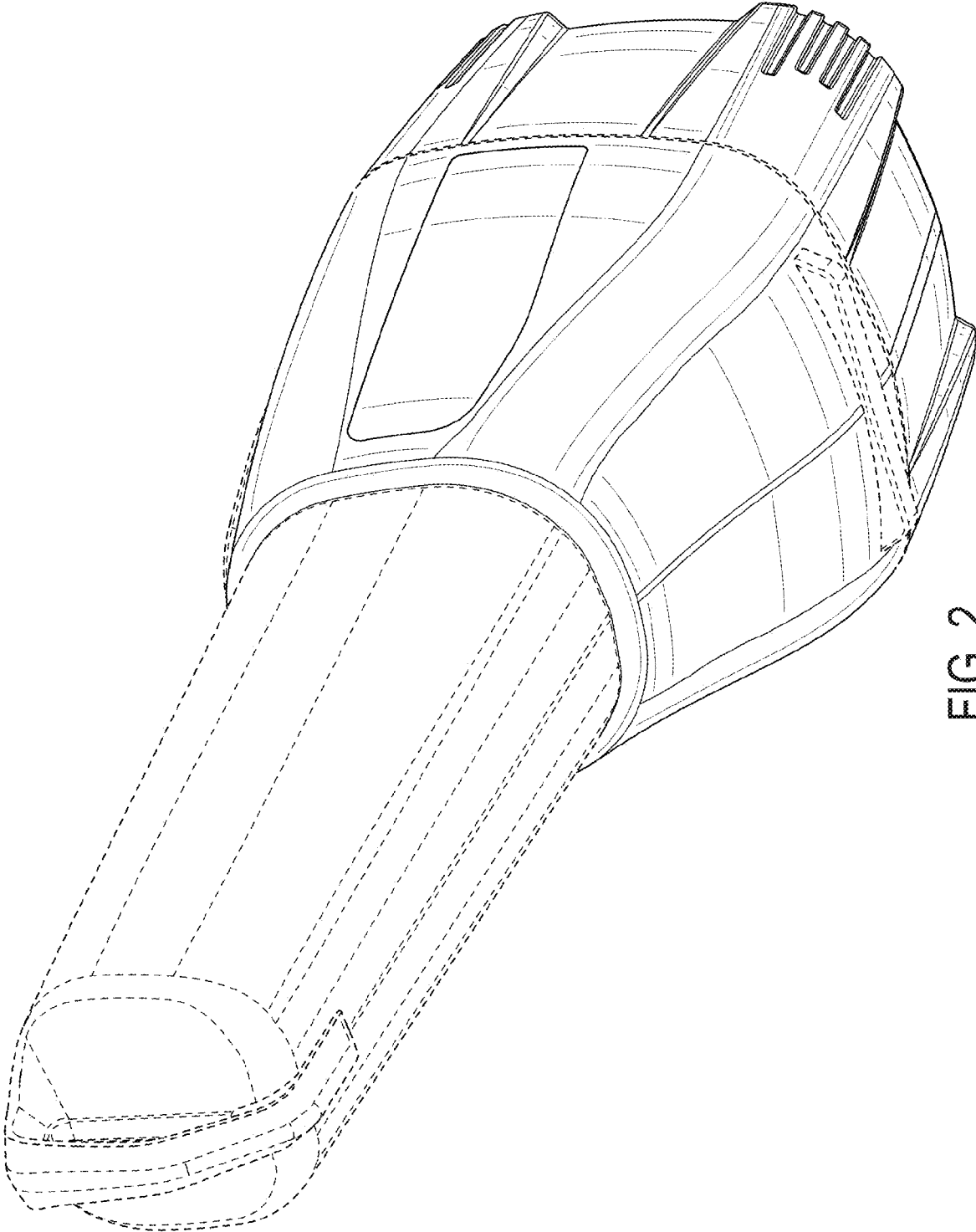


FIG. 2

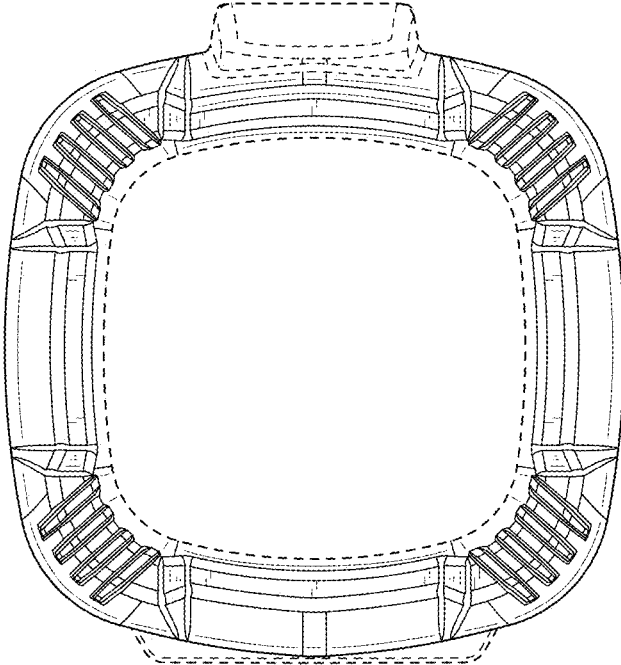


FIG. 3

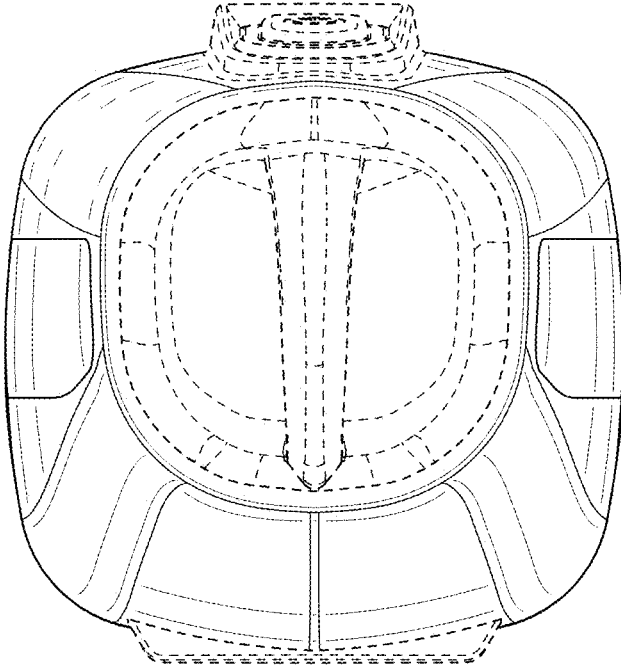


FIG. 4

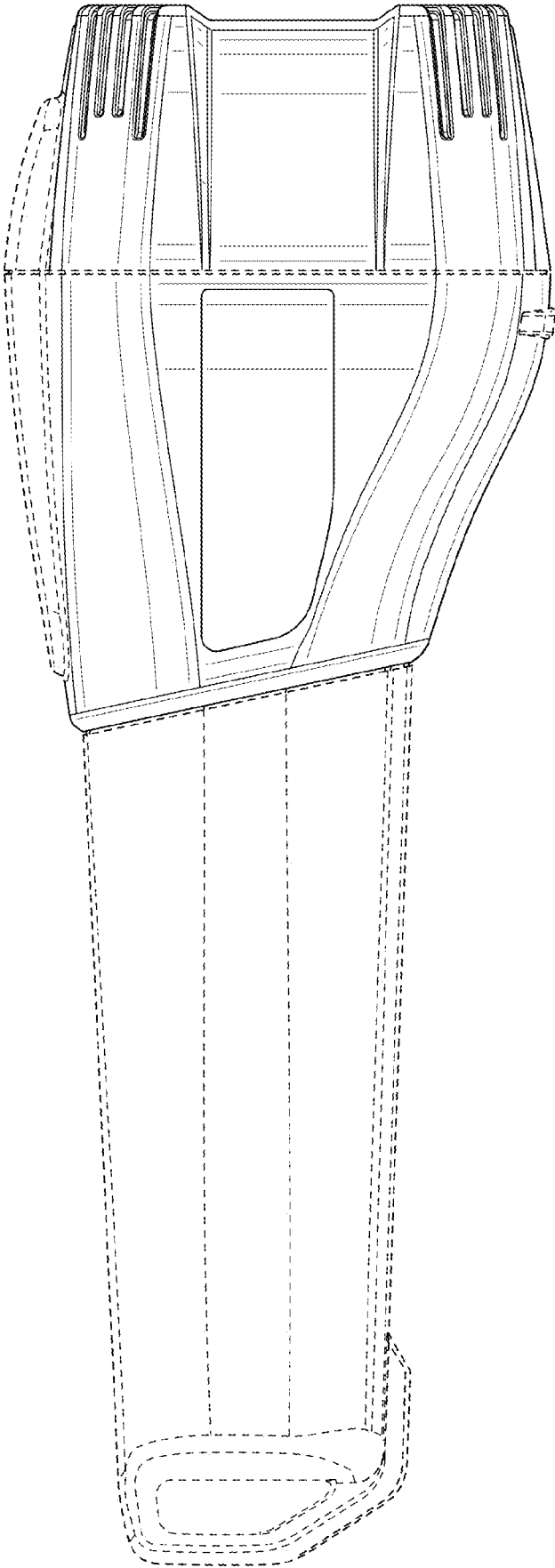


FIG. 5



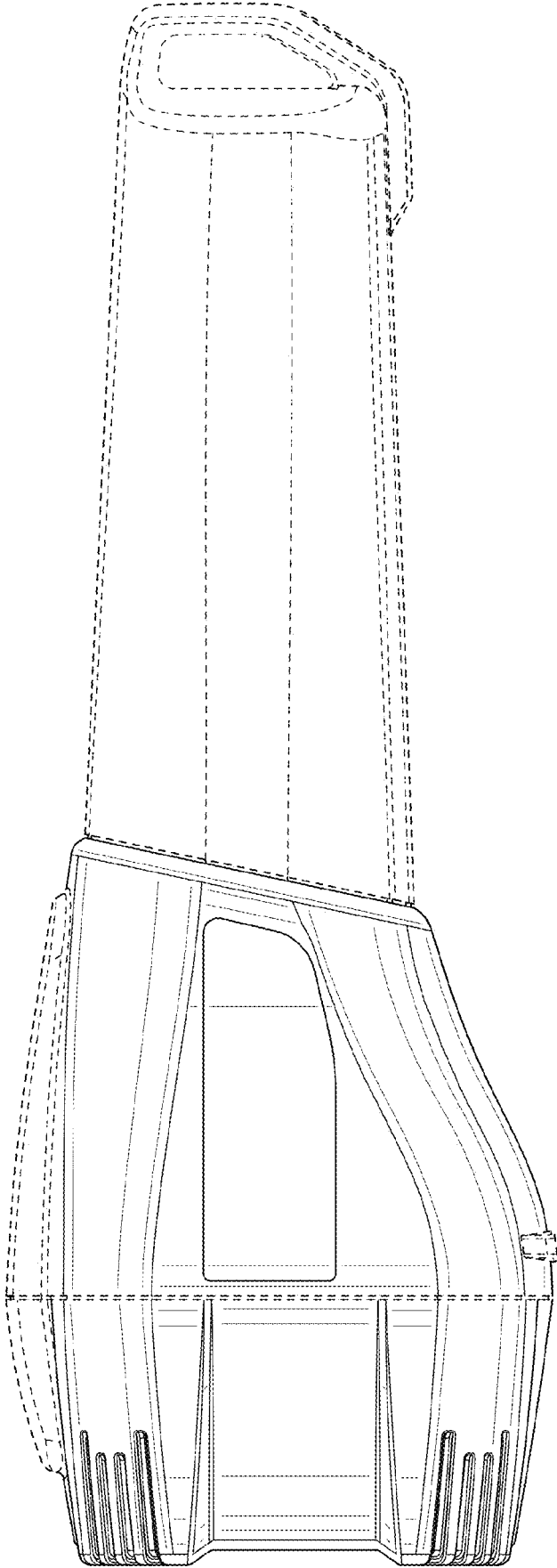


FIG. 6

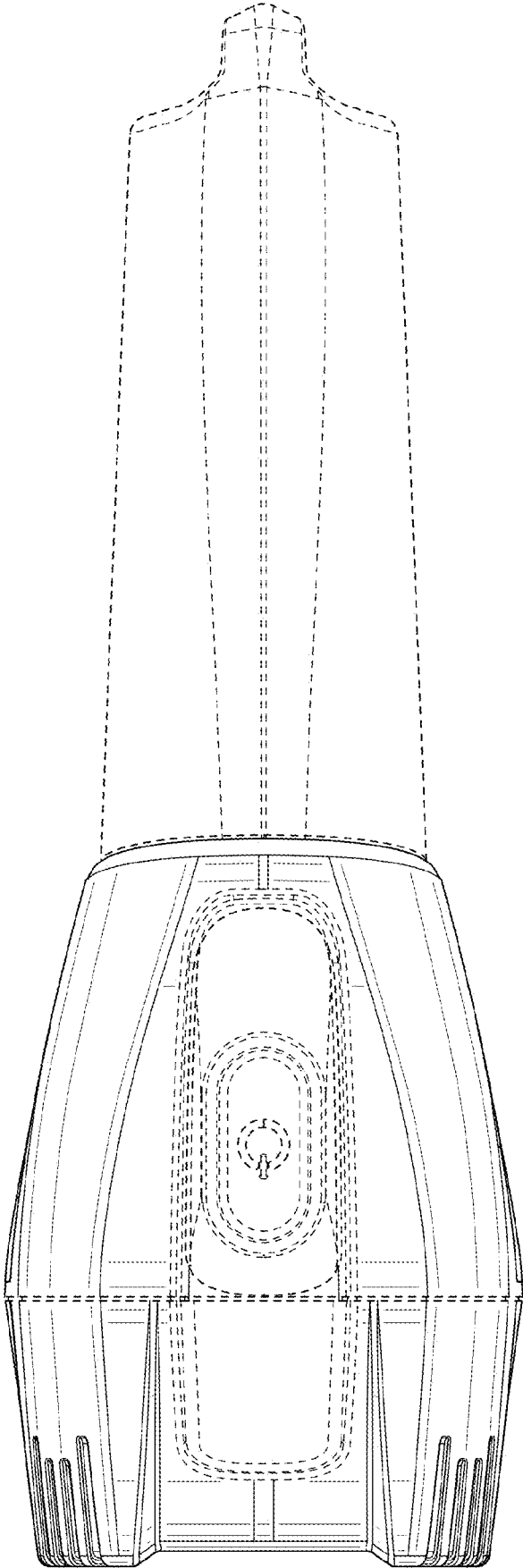


FIG. 7

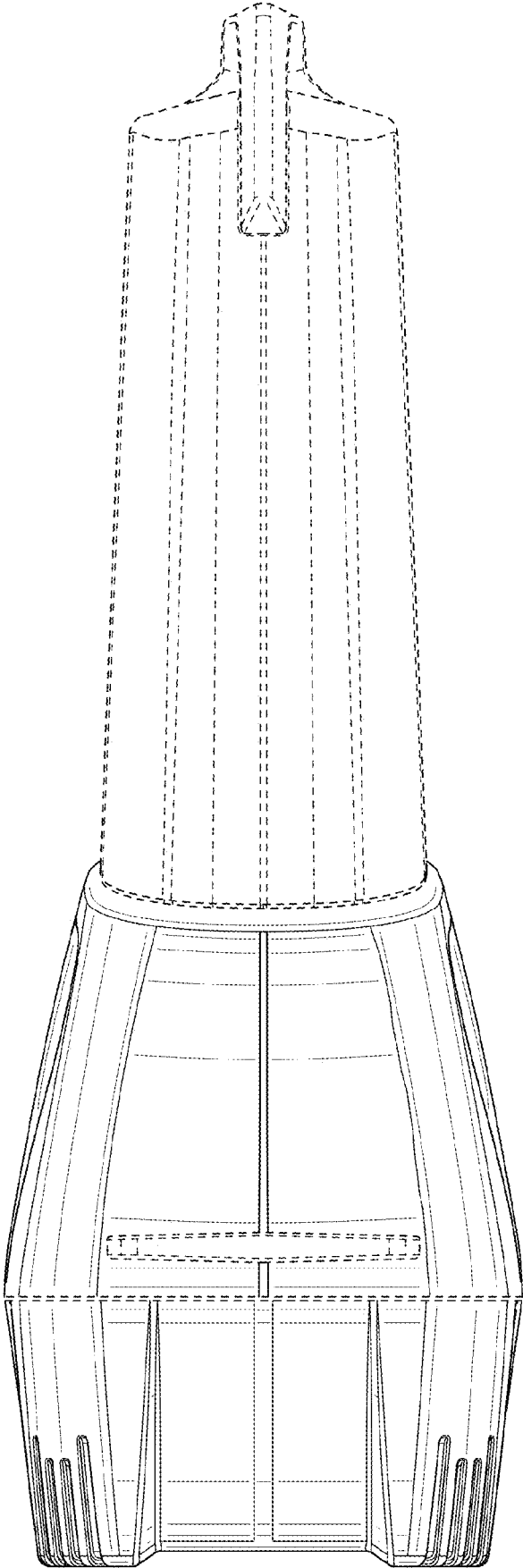


FIG. 8