



US00D868276S

(12) **United States Design Patent**
Lee

(10) **Patent No.:** **US D868,276 S**

(45) **Date of Patent:** **** Nov. 26, 2019**

(54) **SKIN CARE DEVICE**

(71) Applicant: **Jong dae Lee**, Seoul (KR)

(72) Inventor: **Jong dae Lee**, Seoul (KR)

(73) Assignee: **Jong Dae Lee**, Seoul (KR)

(**) Term: **15 Years**

(21) Appl. No.: **29/571,369**

(22) Filed: **Jul. 18, 2016**

(30) **Foreign Application Priority Data**

Mar. 10, 2016 (KR) 30-2016-0011220

(51) **LOC (12) Cl.** **28-03**

(52) **U.S. Cl.**

USPC **D24/209**

(58) **Field of Classification Search**

USPC D24/133, 200, 209, 112, 113, 137, 214,
D24/215, 187

CPC A61N 2005/0659

See application file for complete search history.

(56) **References Cited**

U.S. PATENT DOCUMENTS

D611,159 S * 3/2010 Cole D24/200

D620,597 S * 7/2010 Cole D24/200

D638,132 S * 5/2011 Cole D24/200
D711,008 S * 8/2014 Park D24/209
D739,541 S * 9/2015 Cole D24/200
D770,635 S * 11/2016 Cole D24/200

* cited by examiner

Primary Examiner — Eliza Z Bennett-Hattan

(74) *Attorney, Agent, or Firm* — Osha Liang LLP

(57) **CLAIM**

The ornamental design for a skin care device, as shown and described in the accompanying figures.

DESCRIPTION

FIG. 1 is a front, right perspective view of a body of a skin care device according to the present disclosure;

FIG. 2 is a front plan view of the skin care device of FIG. 1;

FIG. 3 is a rear plan view of the skin care device of FIG. 1; FIG. 4 is a left side plan view of the skin care device of FIG. 1;

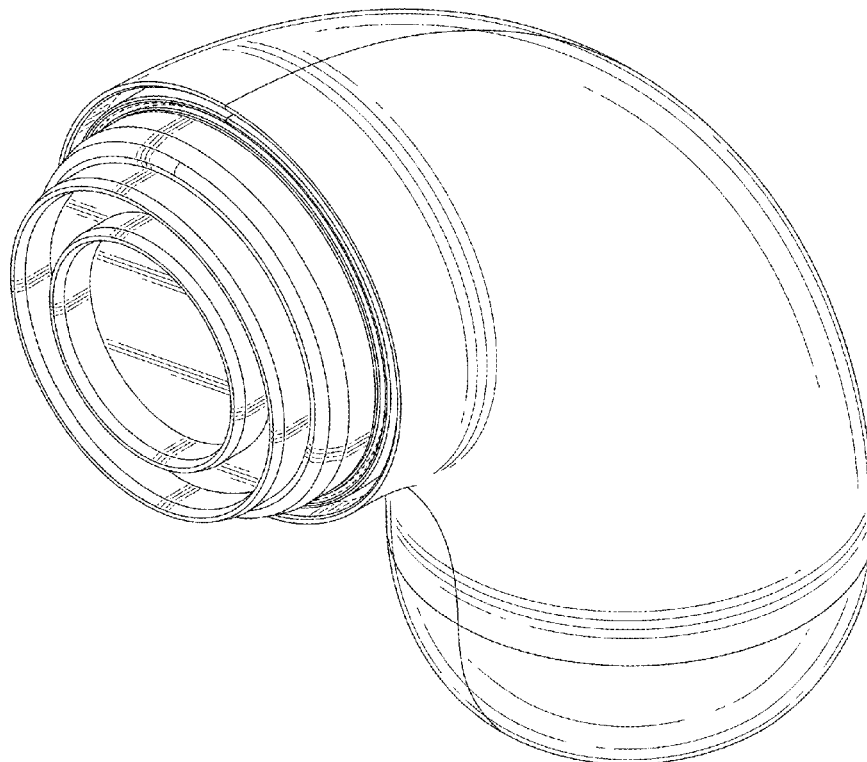
FIG. 5 is a right side plan view of the skin care device of FIG. 1;

FIG. 6 is a top plan view of the skin care device of FIG. 1; and,

FIG. 7 is a bottom plan view of the skin care device of FIG. 1.

The broken lines are directed to unclaimed portions of the skin care device. All broken lines form no part of the claimed design.

1 Claim, 7 Drawing Sheets



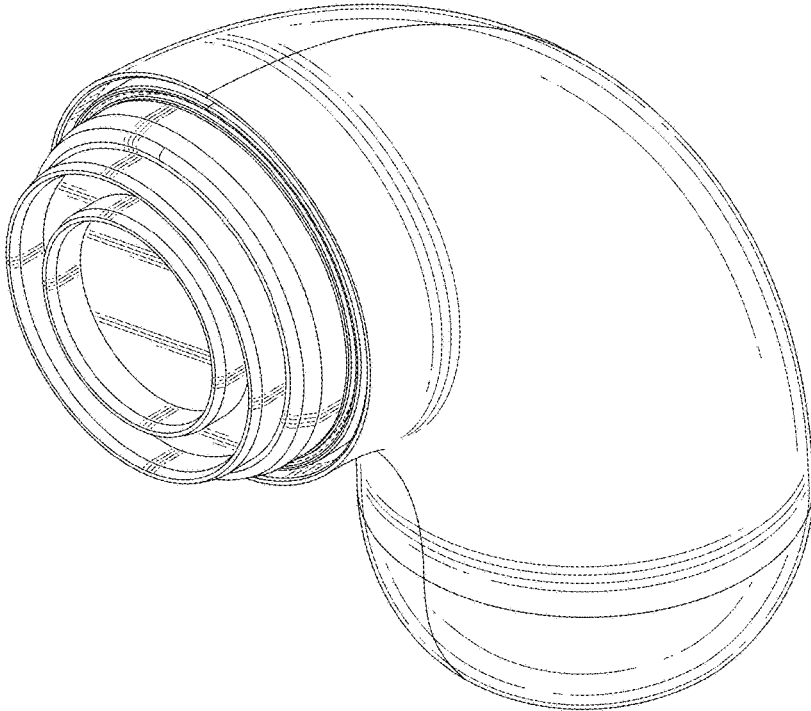


FIG. 1

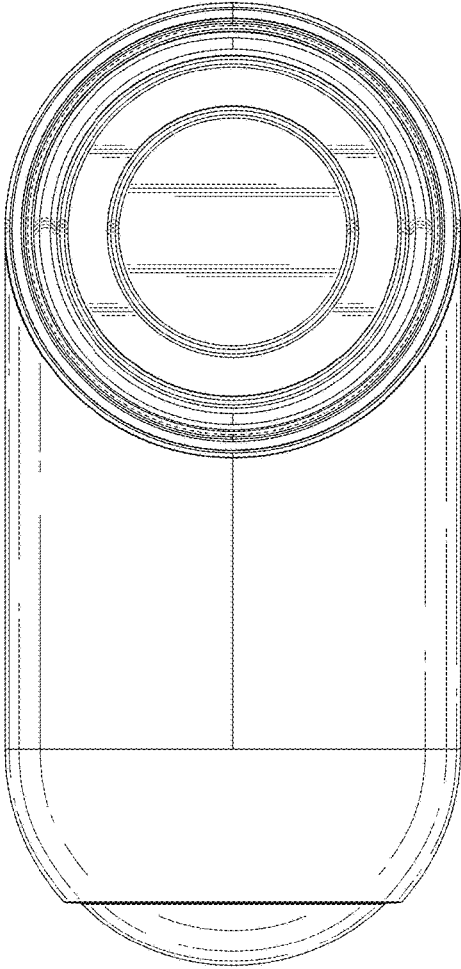


FIG. 2

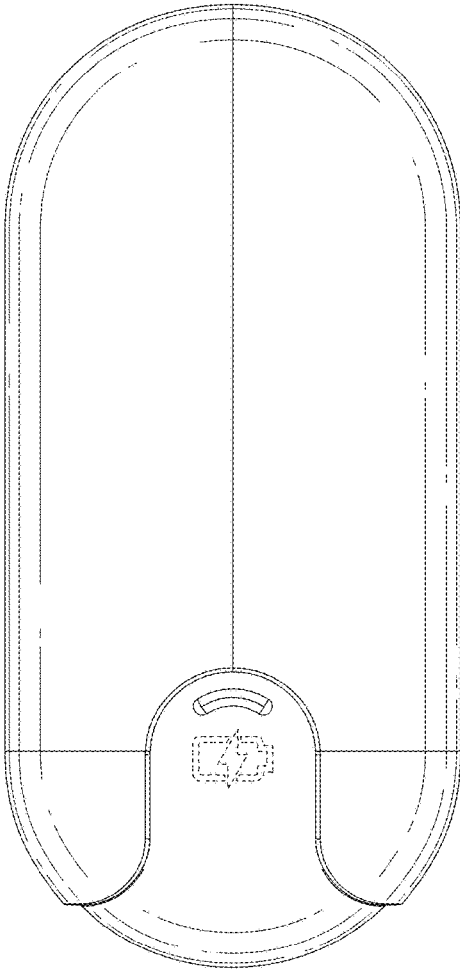


FIG. 3

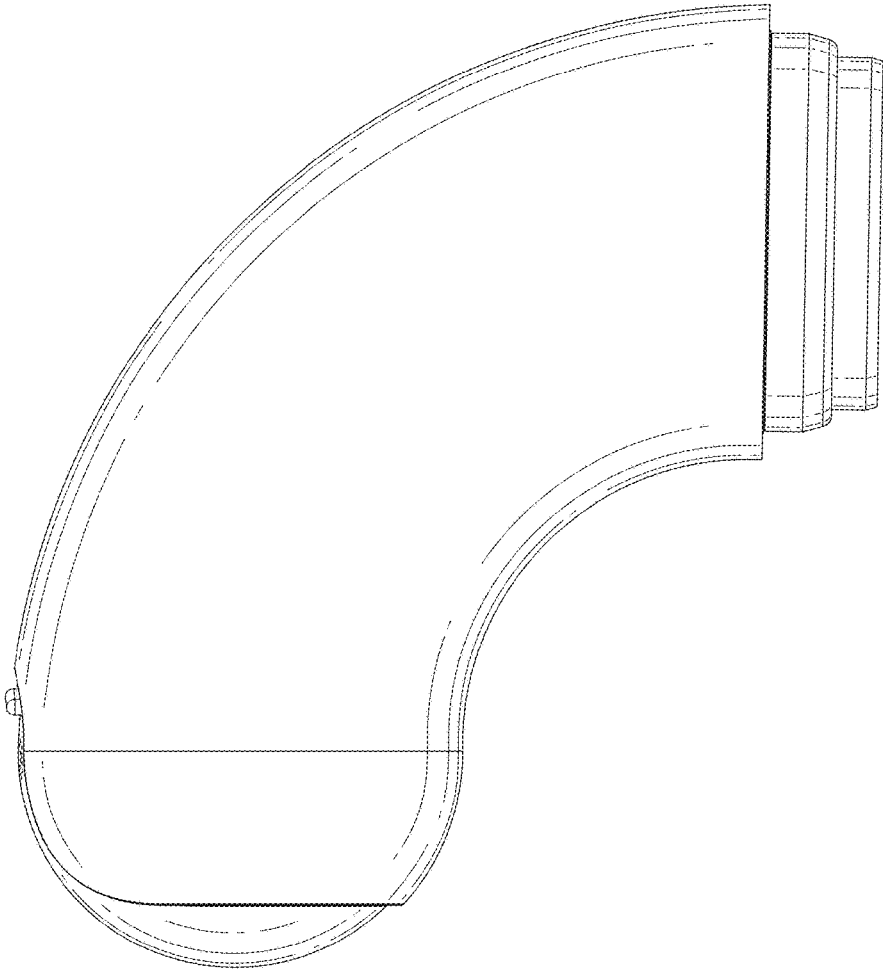


FIG. 4

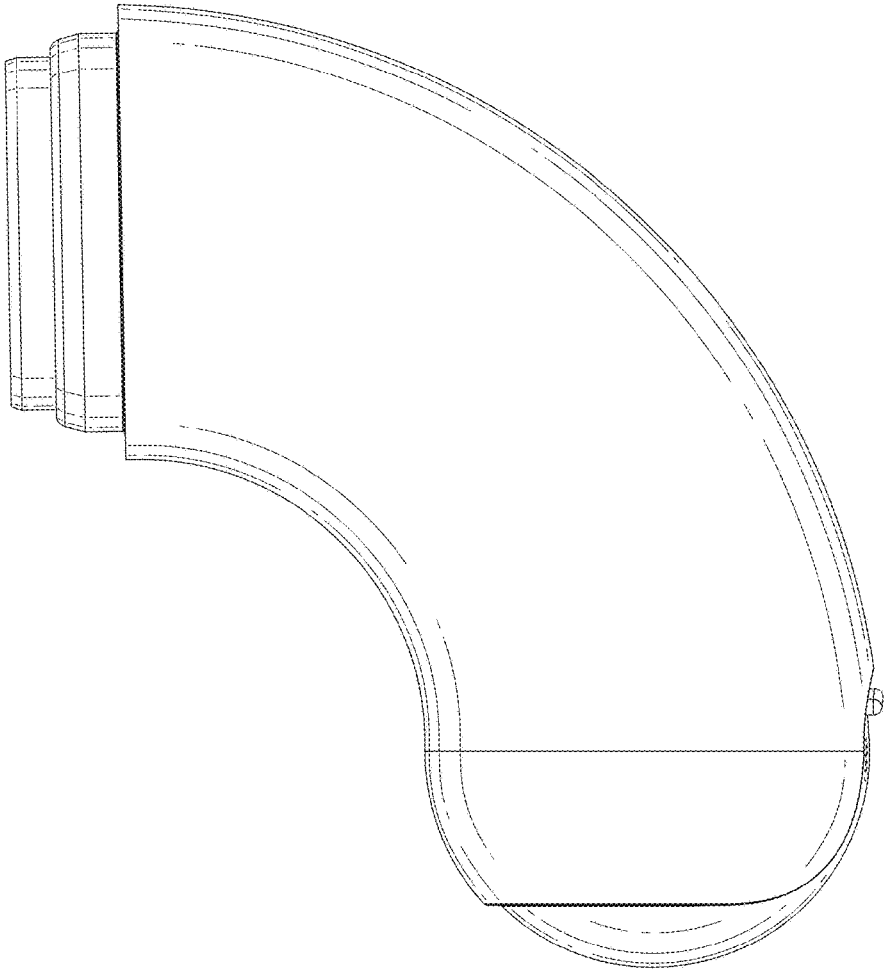


FIG. 5

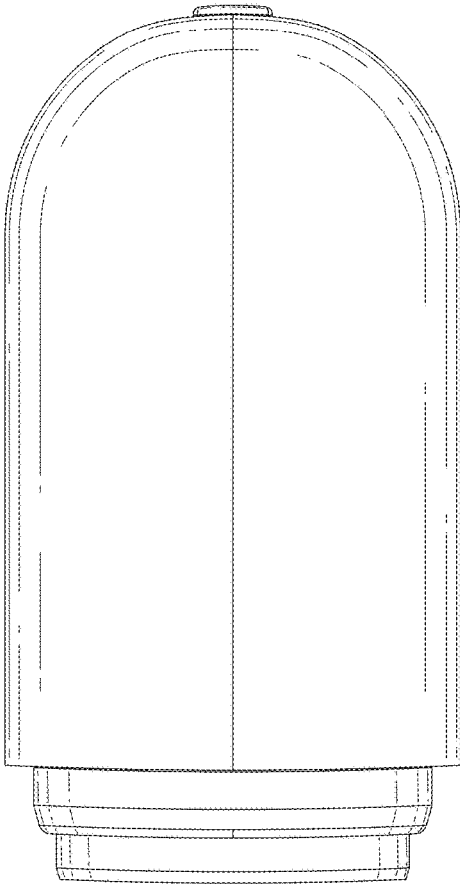


FIG. 6

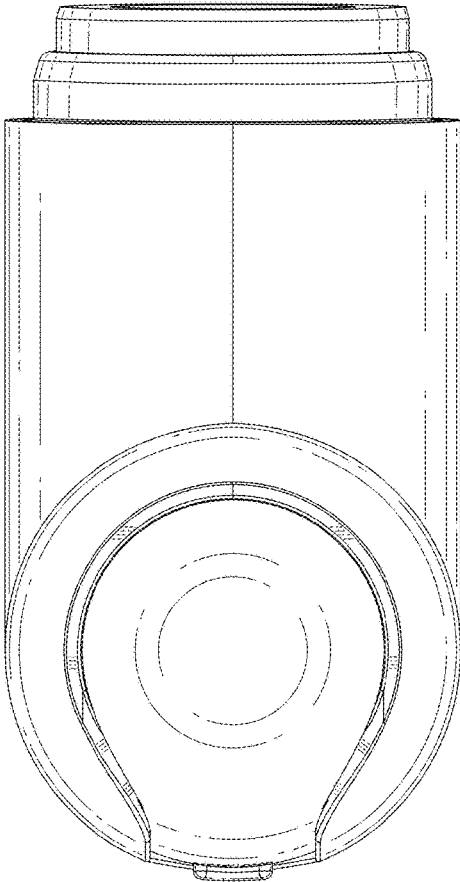


FIG. 7