



US00D850273S

(12) **United States Design Patent**
Tilbury

(10) **Patent No.:** **US D850,273 S**

(45) **Date of Patent:** **** Jun. 4, 2019**

- (54) **PERFUME BOTTLE**
- (71) Applicant: **Islestarr Holdings Limited**, London (GB)
- (72) Inventor: **Charlotte Emma Bow Tilbury**, London (GB)
- (73) Assignee: **Islestarr Holdings Limited**, London (GB)
- (**) Term: **15 Years**

D87,302 S *	7/1932	Fuerst	D9/556
D91,784 S *	3/1934	Nordlinger	D9/554
D98,951 S *	3/1936	Lewis	D9/777
D107,024 S *	11/1937	Lohse	D9/548
D200,498 S *	3/1965	Guerlain	D9/529
D234,900 S *	4/1975	Achenbach	215/382
D289,595 S *	5/1987	Taljaard	D7/672
D414,811 S *	10/1999	Base	D9/503
D520,879 S *	5/2006	Antretter	D28/91.1
D531,912 S *	11/2006	Antretter	D9/546
D534,806 S *	1/2007	Antretter	D9/546
D673,415 S *	1/2013	Genuardi	D7/300.1
D681,384 S *	5/2013	Fitzpatrick	A47G 19/12 D7/300

- (21) Appl. No.: **29/592,915**
- (22) Filed: **Feb. 3, 2017**
- (30) **Foreign Application Priority Data**

Aug. 4, 2016 (EM) 003331420

- (51) **LOC (11) Cl.** **09-01**
- (52) **U.S. Cl.**
USPC **D9/545; D9/445; D9/453; D9/546;**
D9/557; D9/690

- (58) **Field of Classification Search**
USPC D9/434-435, 439, 444-445, 452, 454,
D9/516, 521, 544-546, 549, 556,
D9/558-559, 682, 690-692, 715, 719;
D7/300, 598; D28/91.1
CPC B65D 1/00; B65D 1/02; B65D 1/0223;
B65D 23/00; B65D 81/00; B65D
2501/00; B65D 2501/0009
See application file for complete search history.

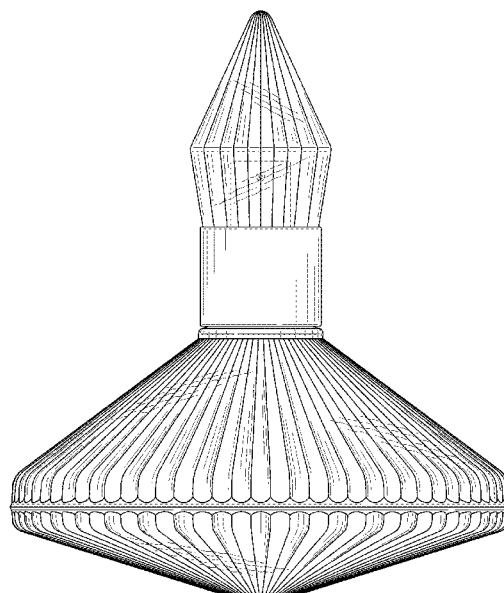
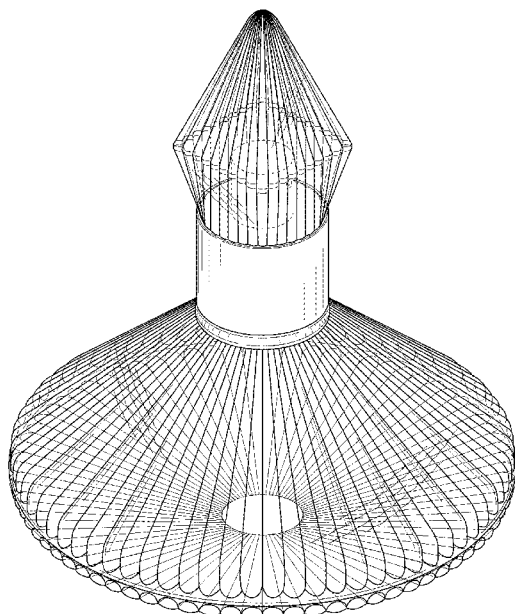
- (56) **References Cited**
U.S. PATENT DOCUMENTS
D16,159 S * 7/1885 Atterbury D9/545
D19,052 S * 4/1889 Van Houten D9/505

* cited by examiner
Primary Examiner — Dana Meyrow
(74) *Attorney, Agent, or Firm* — Fross Zelnick Lehrman & Zissu, P.C.; Lawrence E. Apolzon, Esq.

(57) **CLAIM**
The ornamental design for a perfume bottle, as shown and described.

DESCRIPTION
FIG. 1 is a front perspective view of a perfume bottle showing my new design;
FIG. 2 is a front view thereof;
FIG. 3 is a back view thereof;
FIG. 4 is a left side view thereof;
FIG. 5 is a right side view thereof;
FIG. 6 is a top view thereof; and,
FIG. 7 is a bottom view thereof.
The broken line showing of the nozzle and atomizer in the drawings shows unclaimed subject matter.

1 Claim, 7 Drawing Sheets



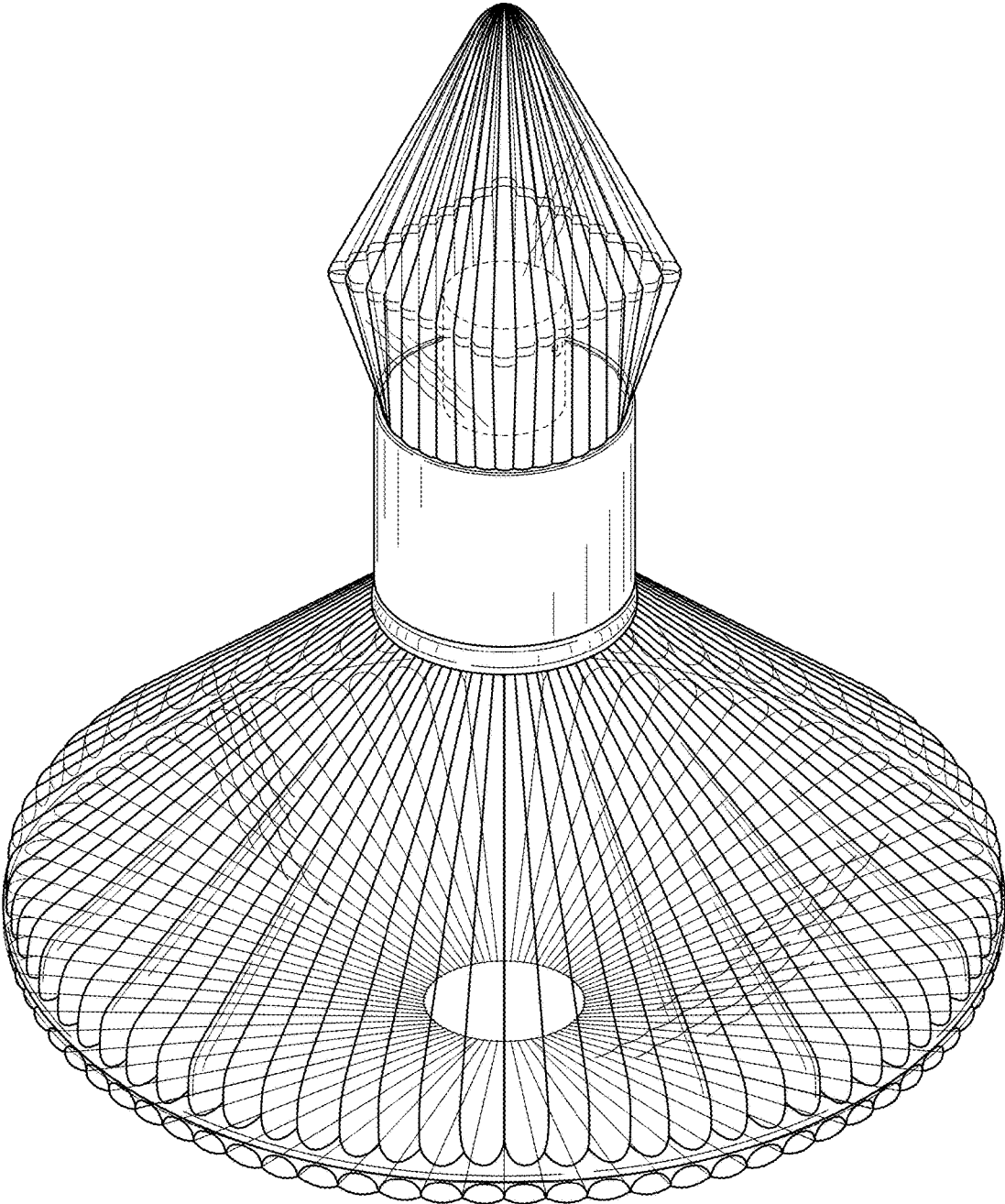


FIG. 1

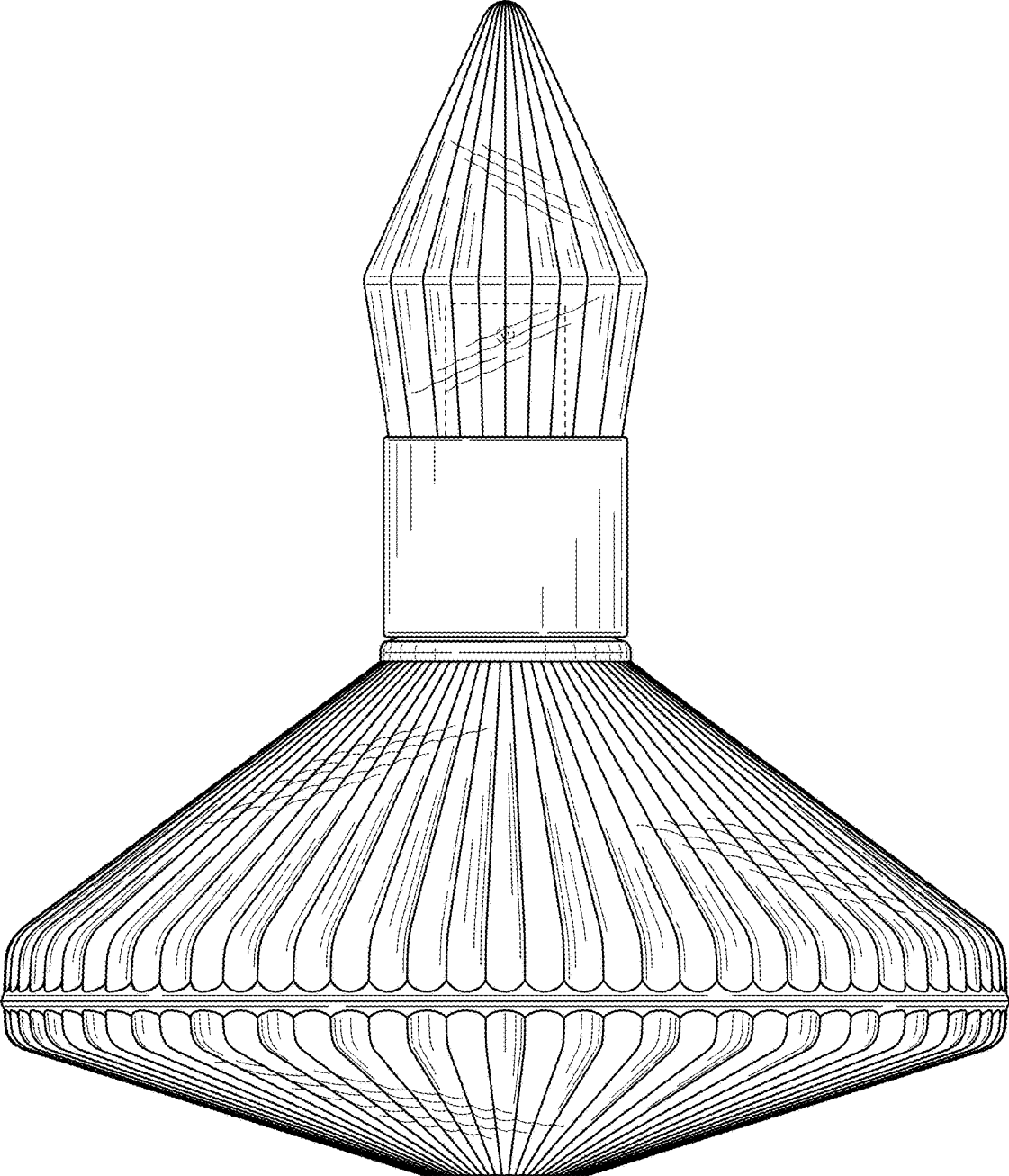


FIG. 2

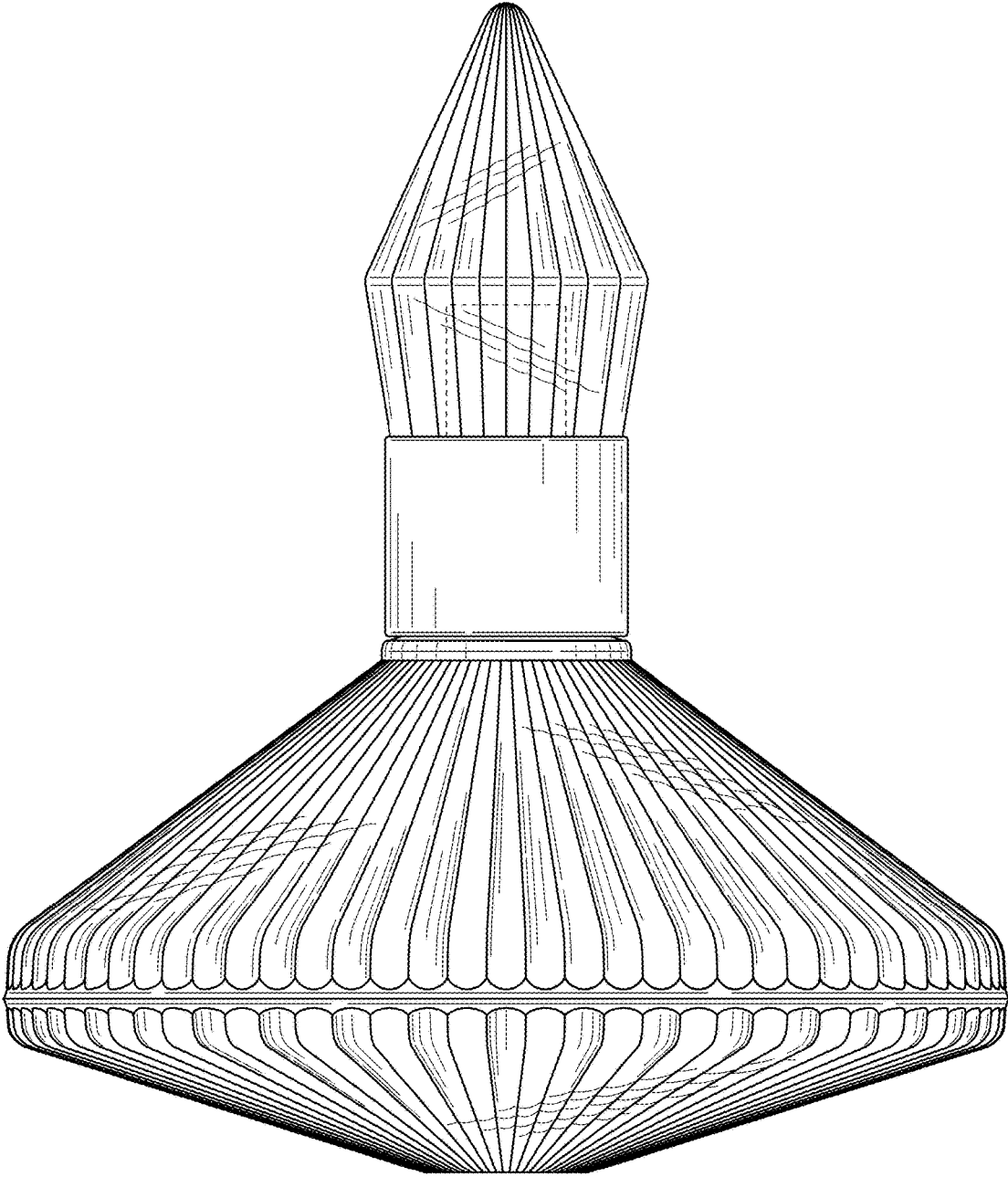


FIG. 3

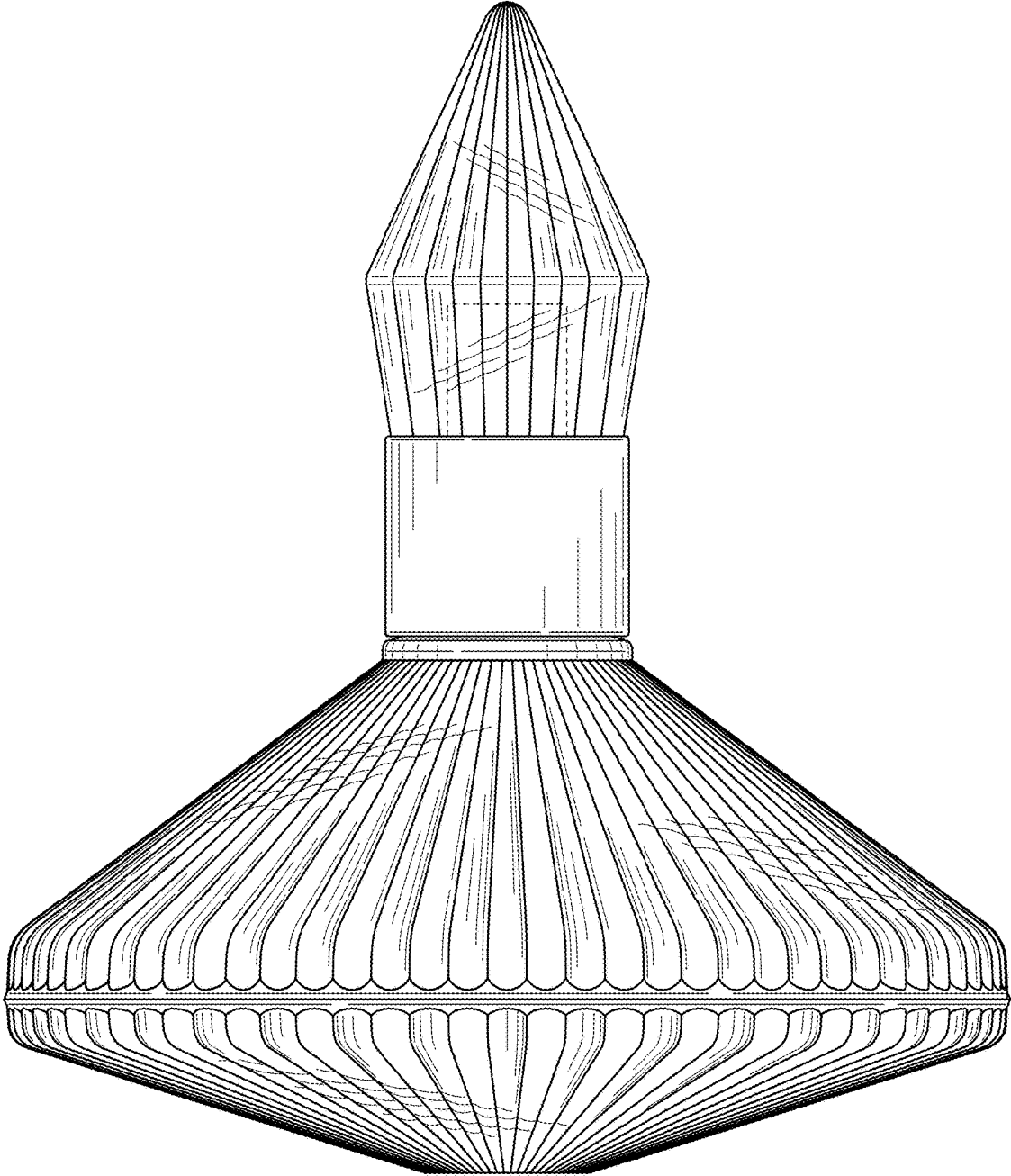


FIG. 4

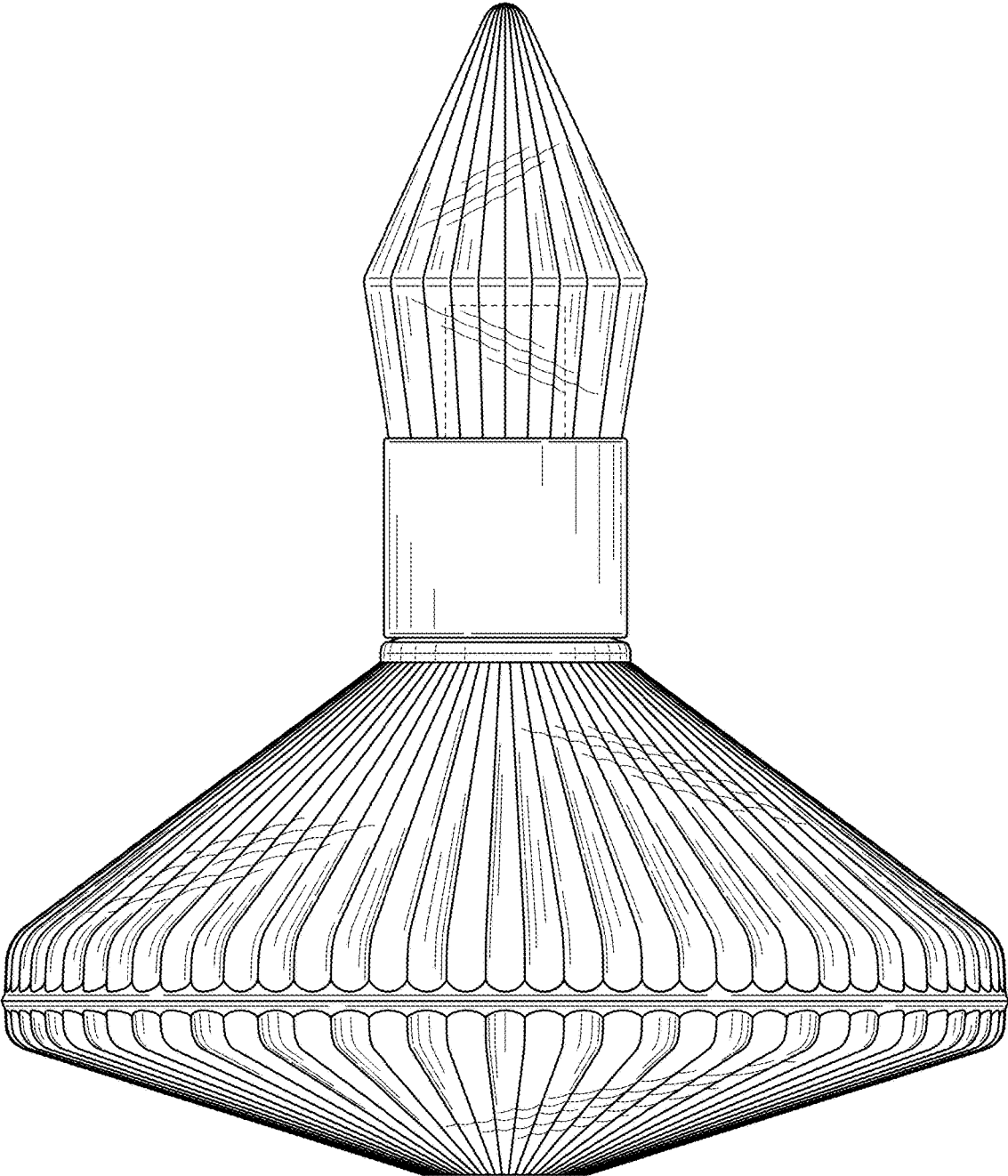


FIG. 5

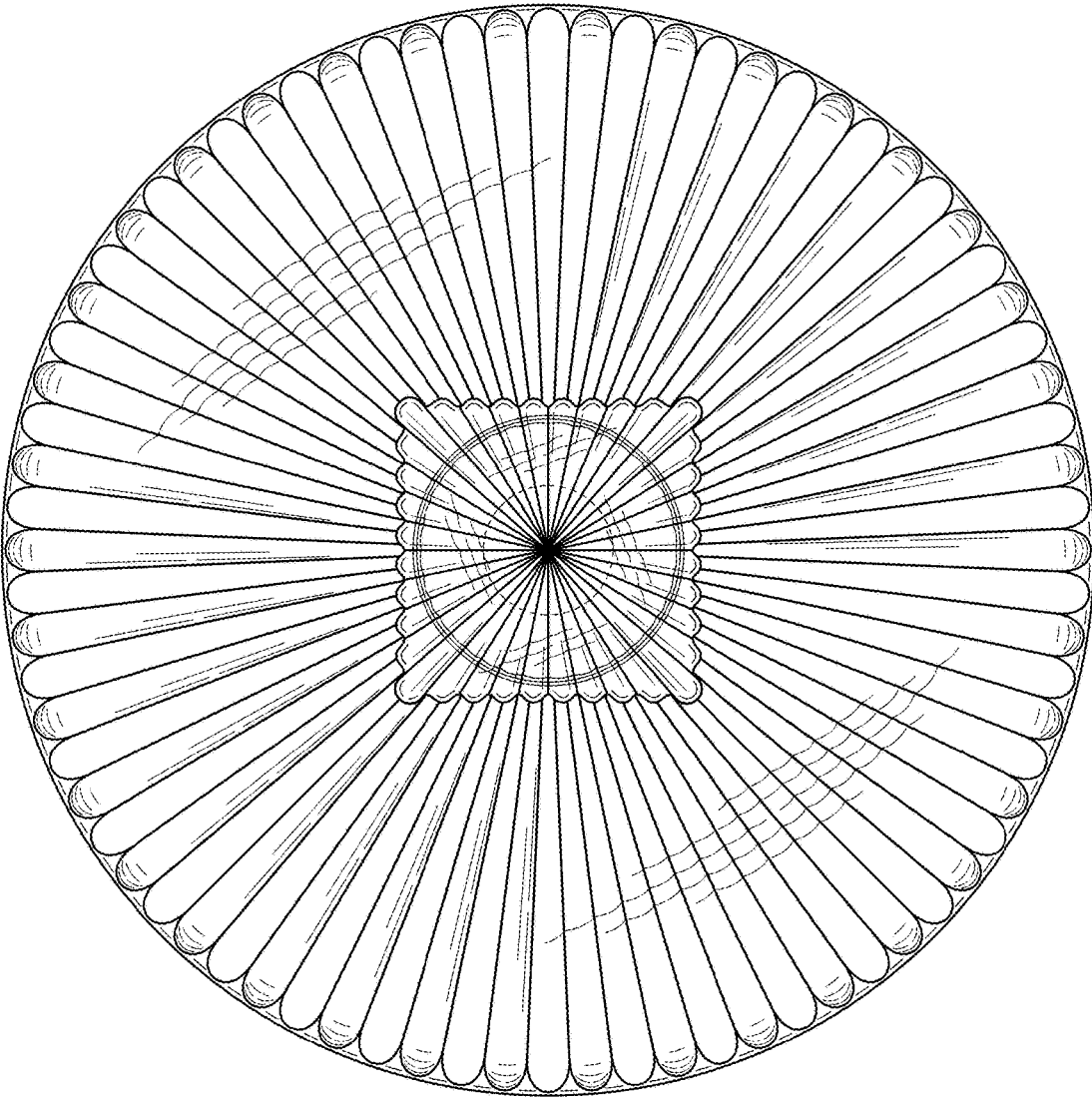


FIG. 6

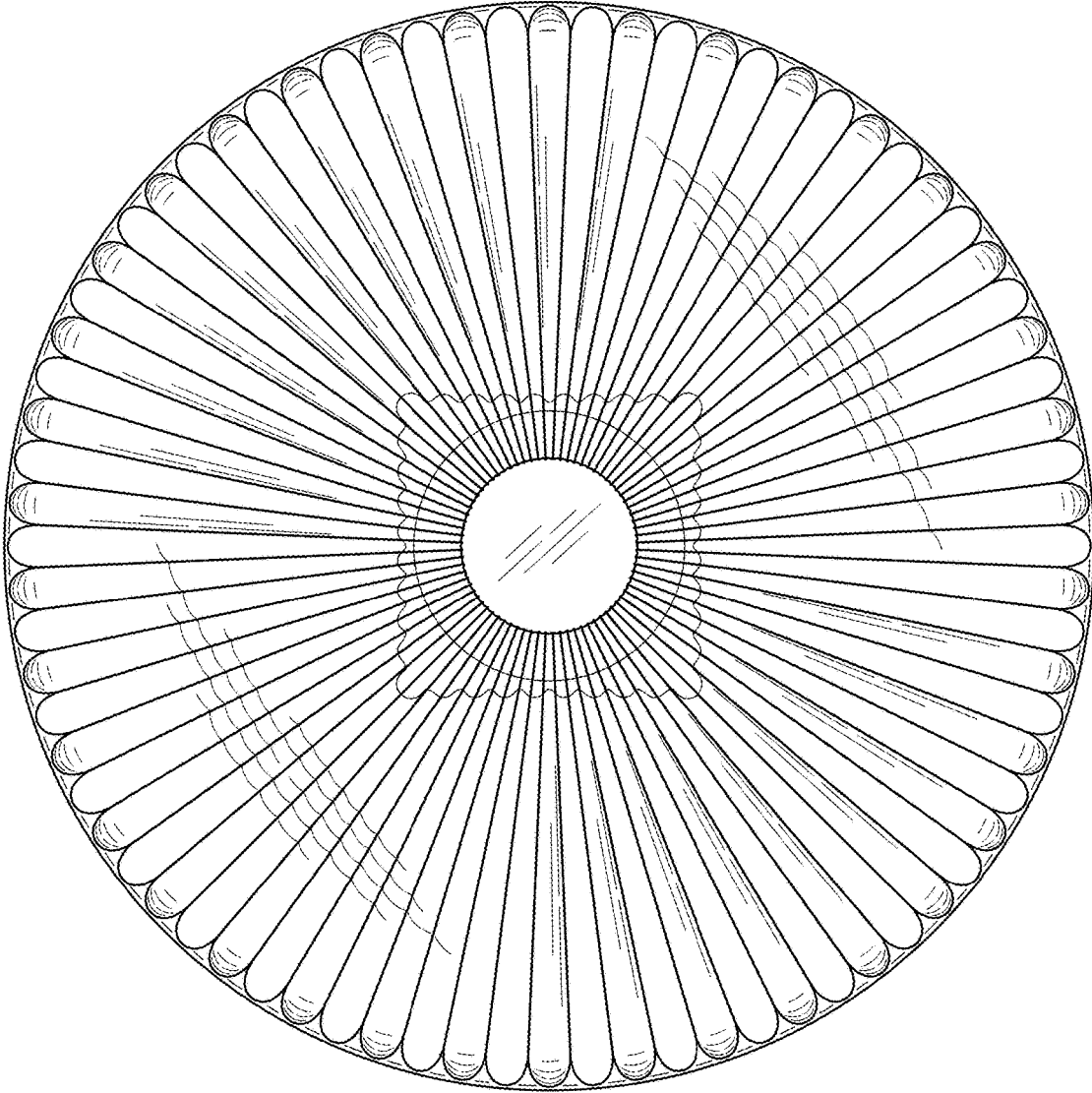


FIG. 7