



US00D918215S

(12) **United States Design Patent**
Hyun

(10) **Patent No.:** **US D918,215 S**

(45) **Date of Patent:** **** May 4, 2021**

- (54) **CASE FOR TABLET COMPUTER**
- (71) Applicant: **SPIGEN KOREA CO., LTD.**, Seoul (KR)
- (72) Inventor: **Young Kwang Hyun**, Seoul (KR)
- (73) Assignee: **SPIGEN KOREA CO., LTD.**, Seoul (KR)
- (**) Term: **15 Years**

| | | | |
|--------------|---------|-----------------|---------|
| D684,568 S | 6/2013 | Fitzgerald | |
| D689,056 S * | 9/2013 | Li | D14/440 |
| D690,704 S * | 10/2013 | Padilla | D14/440 |
| D694,759 S | 12/2013 | Chang et al. | |
| D697,905 S | 1/2014 | Chang | |
| D698,343 S | 1/2014 | Chang et al. | |
| D698,767 S | 2/2014 | Son | |
| D700,172 S | 2/2014 | Li | |
| D702,672 S | 4/2014 | Mather | |
| D706,254 S | 6/2014 | Chang | |
| D714,273 S | 9/2014 | Kim et al. | |
| D716,281 S | 10/2014 | Melanson et al. | |

(Continued)

(21) Appl. No.: **29/726,159**

(22) Filed: **Feb. 28, 2020**

(51) **LOC (13) Cl.** **14-02**

(52) **U.S. Cl.**
USPC **D14/440**

(58) **Field of Classification Search**
 USPC D14/440, 447, 250; 206/45.23, 320,
 206/45.2; 361/679.55; 294/25; 224/218
 CPC ... G06F 1/1628; G06F 1/1626; A47B 23/044;
 H04B 1/3888
 See application file for complete search history.

(56) **References Cited**

U.S. PATENT DOCUMENTS

| | | |
|------------|---------|--------------------|
| D619,361 S | 7/2010 | Andre et al. |
| D638,006 S | 5/2011 | Chang |
| D646,265 S | 10/2011 | Fathollahi |
| D648,332 S | 11/2011 | Kim et al. |
| D650,371 S | 12/2011 | Wibby |
| D654,491 S | 2/2012 | Melanson et al. |
| D655,281 S | 3/2012 | Turocy |
| D668,646 S | 10/2012 | Li |
| D673,545 S | 1/2013 | Magness et al. |
| D677,249 S | 3/2013 | Li |
| D679,271 S | 4/2013 | Liu |
| D679,692 S | 4/2013 | Fahrendorff et al. |
| D681,615 S | 5/2013 | Fathollahi |
| D681,617 S | 5/2013 | Weller et al. |
| D683,340 S | 5/2013 | Chang et al. |

OTHER PUBLICATIONS

“Caseology Vault for Apple iPhone 8 Case (2017)/for iPhone 7 Case (2016)—Rugged & Flexible—Matte Black”, <https://www.amazon.com/dp/B01JSZOJ7M>, Earliest review date of Sep. 10, 2016, Downloaded on Jan. 16, 2020.

(Continued)

Primary Examiner — Cynthia R Underwood
(74) *Attorney, Agent, or Firm* — Heedong Chae; Lucem, PC

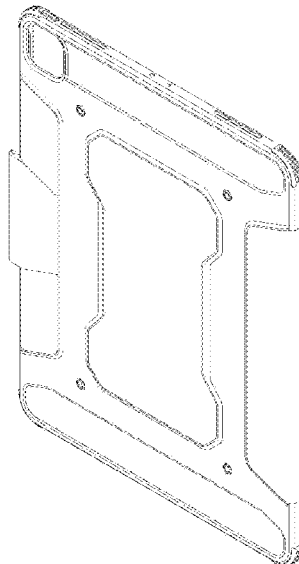
(57) **CLAIM**

The ornamental design for a case for tablet computer, as shown and described.

DESCRIPTION

FIG. 1 is a front perspective view of a case for tablet computer showing my new design;
 FIG. 2 is a rear perspective view thereof;
 FIG. 3 is a front elevational view thereof;
 FIG. 4 is a rear elevational view thereof;
 FIG. 5 is a left side elevational view thereof;
 FIG. 6 is a right side elevational view thereof;
 FIG. 7 is a top plan view thereof; and,
 FIG. 8 is a bottom plan view thereof.

1 Claim, 8 Drawing Sheets



(56)

References Cited

U.S. PATENT DOCUMENTS

| | | | |
|--------------|-----------|--------------------|---------|
| D716,282 S | 10/2014 | Melanson et al. | |
| D716,783 S | 11/2014 | Loncar et al. | |
| D717,774 S | 11/2014 | Fathollahi | |
| D720,759 S | 1/2015 | Deng et al. | |
| D721,070 S | 1/2015 | Pickett | |
| D727,883 S | 4/2015 | Brand | |
| D727,886 S | 4/2015 | Bertrand et al. | |
| D727,917 S | * 4/2015 | Yeo | D14/440 |
| D731,481 S | 6/2015 | Akana et al. | |
| D732,012 S | 6/2015 | Tsai | |
| D733,154 S | * 6/2015 | Armstrong | D14/440 |
| D733,693 S | 7/2015 | Wang et al. | |
| D739,391 S | 9/2015 | Chen et al. | |
| D740,798 S | 10/2015 | Poon et al. | |
| D741,845 S | 10/2015 | Kim | |
| D743,387 S | 11/2015 | Choi | |
| D746,273 S | 12/2015 | Herbst | |
| D746,274 S | 12/2015 | Herbst | |
| D747,707 S | 1/2016 | Roberts et al. | |
| D748,614 S | 2/2016 | Ju | |
| D749,068 S | 2/2016 | Zaborski et al. | |
| D749,535 S | 2/2016 | Joung et al. | |
| D749,555 S | 2/2016 | Poon et al. | |
| D749,557 S | 2/2016 | Feng | |
| D752,052 S | * 3/2016 | Park | D14/440 |
| D756,343 S | 5/2016 | Wall | |
| D756,345 S | 5/2016 | Roberts et al. | |
| D756,909 S | 5/2016 | Gupta | |
| D756,910 S | 5/2016 | Gupta | |
| D756,911 S | 5/2016 | Gupta | |
| D757,704 S | 5/2016 | Roberts et al. | |
| D761,239 S | 7/2016 | Kim | |
| D763,241 S | 8/2016 | Kim | |
| D763,242 S | 8/2016 | Kim | |
| D763,837 S | 8/2016 | Choe et al. | |
| D763,842 S | 8/2016 | Chang et al. | |
| D763,853 S | * 8/2016 | Pearce | D14/440 |
| D765,627 S | 9/2016 | Watt | |
| D765,635 S | 9/2016 | Chang et al. | |
| D765,638 S | 9/2016 | Gaylord et al. | |
| D765,640 S | 9/2016 | Bulkley et al. | |
| D765,641 S | 9/2016 | Bulkley et al. | |
| D765,642 S | 9/2016 | Bulkley | |
| D765,645 S | 9/2016 | Kim | |
| D766,227 S | 9/2016 | Wu | |
| D766,249 S | * 9/2016 | Veltz | D14/440 |
| D767,485 S | 9/2016 | To et al. | |
| D767,554 S | 9/2016 | Bertrand et al. | |
| D771,611 S | 11/2016 | Chang et al. | |
| D772,854 S | 11/2016 | Igarashi | |
| D772,856 S | 11/2016 | Taylor et al. | |
| D772,858 S | 11/2016 | Hu | |
| 9,480,319 B2 | 11/2016 | Dining et al. | |
| D773,447 S | 12/2016 | Taylor | |
| D775,614 S | 1/2017 | Kim | |
| D776,098 S | 1/2017 | Poon | |
| D776,647 S | 1/2017 | Kim | |
| D777,157 S | 1/2017 | Kim | |
| D777,160 S | 1/2017 | Kim | |
| D777,717 S | 1/2017 | Kim | |
| D781,835 S | 3/2017 | Kim et al. | |
| D781,840 S | 3/2017 | Kim et al. | |
| D782,460 S | 3/2017 | Bertrand et al. | |
| D783,602 S | 4/2017 | Akana et al. | |
| D784,309 S | 4/2017 | Lee et al. | |
| D784,311 S | 4/2017 | Yoon | |
| D784,350 S | * 4/2017 | Li | D14/440 |
| D785,615 S | 5/2017 | Kim et al. | |
| D786,849 S | 5/2017 | Park et al. | |
| D786,853 S | 5/2017 | Friedland et al. | |
| D788,090 S | 5/2017 | Kim | |
| D788,093 S | 5/2017 | Lee et al. | |
| D790,526 S | 6/2017 | Babichenko | |
| D790,550 S | * 6/2017 | Chen | D14/440 |
| D792,394 S | 7/2017 | Lee et al. | |
| D795,237 S | 8/2017 | Jung et al. | |
| D797,715 S | 9/2017 | Kim | |
| D798,286 S | 9/2017 | Roberts et al. | |
| D798,288 S | 9/2017 | Babichenko | |
| D798,854 S | 10/2017 | Babichenko | |
| D799,462 S | 10/2017 | Wright | |
| D800,104 S | 10/2017 | Kim | |
| D800,105 S | 10/2017 | Roberts et al. | |
| D801,323 S | 10/2017 | Kim | |
| D801,324 S | 10/2017 | Kim | |
| D801,325 S | 10/2017 | Kim | |
| D801,959 S | 11/2017 | Kuo et al. | |
| D801,960 S | 11/2017 | Kim | |
| D803,221 S | * 11/2017 | Guo | D14/440 |
| D806,080 S | * 12/2017 | Chen | D14/440 |
| D807,336 S | 1/2018 | Kim | |
| D807,366 S | * 1/2018 | Chen | D14/440 |
| D807,369 S | * 1/2018 | Chen | D14/440 |
| D808,369 S | 1/2018 | Kim | |
| D808,370 S | 1/2018 | Kim | |
| D808,371 S | 1/2018 | Kim | |
| D808,973 S | * 1/2018 | Chen | D14/440 |
| D811,412 S | * 2/2018 | McCurdy | D14/440 |
| D812,599 S | 3/2018 | Hyun | |
| D812,600 S | 3/2018 | Altaras | |
| D812,618 S | 3/2018 | Altaras | |
| D812,619 S | 3/2018 | Altaras | |
| D812,620 S | * 3/2018 | Cheng | D14/440 |
| D813,217 S | 3/2018 | Kim | |
| D813,219 S | 3/2018 | Hyun | |
| D815,627 S | 4/2018 | Cho et al. | |
| D816,073 S | 4/2018 | Kim et al. | |
| D816,651 S | 5/2018 | Chiang et al. | |
| D816,653 S | 5/2018 | Yu | |
| D816,654 S | 5/2018 | Chen | |
| D819,006 S | 5/2018 | Kim | |
| D821,405 S | * 6/2018 | Chen | D14/440 |
| D824,377 S | 7/2018 | Kim et al. | |
| D826,929 S | 8/2018 | Andre et al. | |
| D831,017 S | 10/2018 | Choe et al. | |
| D831,018 S | 10/2018 | Kim | |
| D831,019 S | 10/2018 | Kim | |
| D831,020 S | 10/2018 | Kim | |
| D831,636 S | 10/2018 | Zhu | |
| D833,426 S | 11/2018 | Yun | |
| D834,571 S | 11/2018 | Ravid | |
| D835,611 S | 12/2018 | Yun | |
| D837,194 S | 1/2019 | Roberts et al. | |
| D837,196 S | 1/2019 | Kim | |
| D837,777 S | 1/2019 | Yun | |
| D837,778 S | 1/2019 | Yun | |
| D837,779 S | 1/2019 | Kim | |
| D838,264 S | 1/2019 | Wright et al. | |
| D838,706 S | 1/2019 | Li et al. | |
| D838,709 S | 1/2019 | Yun | |
| D838,710 S | 1/2019 | Wang | |
| D839,255 S | 1/2019 | Roberts et al. | |
| D839,861 S | 2/2019 | Kim | |
| D840,991 S | 2/2019 | Kim | |
| D840,992 S | 2/2019 | Kim | |
| D840,993 S | 2/2019 | Kim | |
| D843,360 S | 3/2019 | Han et al. | |
| D843,993 S | 3/2019 | Jeong et al. | |
| D843,994 S | 3/2019 | Jeong et al. | |
| D845,943 S | 4/2019 | Skovsted et al. | |
| D845,944 S | 4/2019 | Gronewoller et al. | |
| D845,945 S | 4/2019 | Bohman et al. | |
| D847,129 S | 4/2019 | To et al. | |
| D847,806 S | 5/2019 | Kim | |
| D847,807 S | 5/2019 | Wright et al. | |
| D850,431 S | 6/2019 | Igarashi | |
| D852,200 S | * 6/2019 | Chan | D14/440 |
| D854,022 S | * 7/2019 | Chen | D14/440 |
| D860,212 S | * 9/2019 | Ahn | D14/440 |
| D862,442 S | * 10/2019 | Wei | D14/250 |
| D862,478 S | * 10/2019 | Ahn | D14/440 |
| D862,479 S | * 10/2019 | Ahn | D14/440 |
| D862,480 S | * 10/2019 | Chan | D14/440 |

(56)

References Cited

U.S. PATENT DOCUMENTS

2011/0050606 A1 3/2011 Zhang
 2012/0075799 A1* 3/2012 Pollex F16M 11/041
 361/679.56
 2017/0045920 A1* 2/2017 Armstrong G06F 1/1669

OTHER PUBLICATIONS

“The best iPhone 7 & 7 Plus cases available now”, <https://9to5mac.com/2016/09/07/best-iphone-7-7-plus-cases-accessories-available-now/>, Earliest review date of Sep. 17, 2016, Downloaded on Mar. 18, 2020.

“Caseology Vault for Google Pixel Case (2016)—Rugged & Flexible—Black”, <https://www.amazon.com/dp/B01MEDIMGS>, Earliest review date of Nov. 10, 2016, Downloaded on Jan. 16, 2020.

“Caseology Vault for Apple iPhone 7 Plus Case (2016)—Rugged Matte Finish—Black”, <https://www.amazon.com/dp/B01N2OCQV4>, Earliest review date of Dec. 16 2016, Downloaded on Jan. 16, 2020.

“Caseology Vault for LG G6 Case (2017) - Rugged Matte Finish—Black”, <https://www.amazon.com/dp/B06W52JLH>, Earliest review date of Mar. 28, 2017, Downloaded on Jan. 16, 2020.

“Caseology Nero Tough for iPhone 8 Plus Case (2017)/iPhone 7 Plus Case (2016)—360 Protection—Black”, <https://www.amazon.com/dp/B07534JMM2>, Earliest review date of Aug. 23, 2017, Downloaded on Nov. 19, 2019.

“Spigen Rugged Armor Galaxy S6 Case with Resilient Shock Absorption and Carbon Fiber Design for Galaxy S6 2015—Black”, <https://www.amazon.com/dp/B00T6P05ZK>, Earliest review date of Mar. 10, 2015, Downloaded on Jul. 17, 2018.

“Spigen Rugged Armor Galaxy S6 Edge Case with Flexible and Durable Shock Absorption with Carbon Fiber Design for Samsung Galaxy S6 Edge (2015)—Black”, <https://www.amazon.com/dp/B00SVCITW0>, Earliest review date of Mar. 13, 2015, Downloaded on Jul. 17, 2018.

“Spigen Rugged Armor Galaxy Note 5 Case with Resilient Shock Absorption and Carbon Fiber Design for Galaxy Note 5 2015—Black”, <https://www.amazon.com/dp/B010MWFUBY>, Earliest review date of Aug. 23, 2015, Downloaded on Jul. 17, 2018.

“Spigen Rugged Armor iPhone 6S Case with Resilient Shock Absorption and Carbon Fiber Design for iPhone 6S/iPhone 6—Black”, <https://www.amazon.com/dp/B010MVJM5K>, Earliest review date of Sep. 3, 2015, Downloaded on Jul. 17, 2018.

“Spigen Rugged Armor iPhone 6S Plus Case with Resilient Shock Absorption and Carbon Fiber Design for iPhone 6S Plus 2015—Black”, <https://www.amazon.com/dp/B010MVR76Q>, Earliest review date of Sep. 7, 2015, Downloaded on Jul. 17, 2018.

“Spigen Tough Armor TECH iPhone 6S Case with Extreme Shock and Drop Protection for Apple iPhone 6/6S—Gunmetal”, <https://www.amazon.com/Spigen-Tough-iPhone-Extreme-Protection/dp/B013TKNSIS>, Earliest review date of Oct. 3, 2015, Downloaded on Jan. 15, 2019.

“Spigen Rugged Armor Samsung Galaxy S7 Case with Resilient Shock Absorption and Carbon Fiber Design for Samsung Galaxy S7 2016 - Black”, <https://www.amazon.com/Spigen-Rugged-Designed-Samsung-Galaxy/dp/B01A7ICWTQ>, Earliest review date of Feb. 25, 2016, Downloaded on Jul. 17, 2018.

“Spigen Rugged Armor Galaxy S7 Edge Case with Flexible and Durable Shock Absorption with Carbon Fiber Design for Samsung Galaxy S7 Edge (2016)—Black”, <https://www.amazon.com/Spigen-Rugged-Designed-Samsung-Galaxy/dp/B01A7IDHOU>, Earliest review date of Feb. 28, 2016, Downloaded on Jul. 17, 2018.

“Spigen Rugged Armor Galaxy A5 Case with Resilient Shock Absorption and Carbon Fiber Design for Galaxy A5—Black”, <https://www.amazon.com/Spigen-Rugged-Designed-Samsung-Galaxy/dp/B018J07A46>, Earliest review date of Mar. 18, 2016, Downloaded on Jul. 17, 2018.

“Spigen Rugged Armor iPhone SE Case with Resilient Shock Absorption and Carbon Fiber Design for iPhone SE 2016—Black”,

<https://www.amazon.com/Spigen-Rugged-iPhone-Resilient-Absorption/dp/B01BEDNUDK>, Earliest review late of Apr. 10, 2016, Downloaded on Jan. 15, 2019.

“Spigen Rugged Armor Honor 5X Case with Resilient Shock Absorption and Carbon Fiber Design for Huawei Honor 5X—Black”, <https://www.amazon.com/Spigen-Rugged-Resilient-Absorption-Carbon/dp/B01DJHDXD2>, Earliest review late of May 1, 2016, Downloaded on Jan. 15, 2019.

“Spigen Rugged Armor HTC 10 Case with Resilient Shock Absorption and Carbon Fiber Design for HTC 10 2016—Black”, <https://www.amazon.com/dp/B01DANIT4E>, Earliest review date of May 4, 2016, Downloaded on Jul. 18, 2018.

“Spigen Rugged Armor Huawei P8 Lite Case with Resilient Shock Absorption and Carbon Fiber Design for Huawei P8 Lite (2015)—Black”, <https://www.amazon.com/dp/B01DL0DME6>, Earliest review date of Jun. 1, 2016, Downloaded on Jul. 18, 2018.

“Spigen Rugged Armor OnePlus 3 Case/OnePlus 3T Case with Resilient Shock Absorption and Carbon Fiber Design for OnePlus 3 2016—Black”, <https://www.amazon.com/dp/B01H3PEWDK>, Earliest review date of Jul. 28, 2016, Downloaded on Jul. 17, 2018.

“Spigen Rugged Armor iPhone 8 Case/iPhone 7 Case with Resilient Shock Absorption and Carbon Fiber Design for Apple iPhone 8 (2017)/iPhone 7 (2016)—Black”, <https://www.amazon.co.uk/Spigen-Rugged-iPhone-Resilient-Absorption/dp/B01GIVX7TA>, Earliest review date of Aug. 2, 2016, downloaded on Oct. 24, 2018.

“Spigen Rugged Armor iPhone 8 Plus/iPhone 7 Plus Case with Resilient Shock Absorption and Carbon Fiber Design for Apple iPhone 8 Plus (2017)/iPhone 7 Plus (2016)—Black”, <https://www.amazon.com/dp/B01GIWGAAC>, Earliest review date of Sep. 2, 2016, Downloaded on Jul. 17, 2018.

“Spigen Rugged Armor Huawei P9 Lite Case with Resilient Shock Absorption and Carbon Fiber Design for Huawei P9 Lite—Black”, <https://www.amazon.com/B01DL0DJGM>, Earliest review date of Sep. 6, 2016, Downloaded on Jul. 18, 2018.

“Spigen Rugged Armor iPhone 8 Case/iPhone 7 Case with Resilient Shock Absorption and Carbon Fiber Design for Apple iPhone 8 (2017)/iPhone 7 (2016)—Black”, <https://www.amazon.com/dp/B01GIVX7TA>, Earliest review date of Sep. 11, 2016, Downloaded on Jul. 17, 2018.

“Spigen Rugged Armor Google Pixel XL Case with Resilient Shock Absorption and Carbon Fiber Design for Google Pixel XL 2016—Black”, <https://www.amazon.com/dp/B01M1EEXWJ>, Earliest review date of Oct. 2, 2016, Downloaded on Jul. 17, 2018.

“Spigen Rugged Armor LG V20 Case with Resilient Shock Absorption and Carbon Fiber Design for LG V20 2016—Black”, <https://www.amazon.com/dp/B01M0HW9P4>, Earliest review date of Oct. 19, 2016, Downloaded on Jul. 18, 2018.

“Spigen Rugged Armor Honor 8 Case with Resilient Shock Absorption for Huawei Honor 8 2016—Black”, <https://www.amazon.com/dp/B01LXTROW1>, Earliest review date of Oct. 20, 2016, Downloaded on Jul. 18, 2018.

“Spigen Rugged Armor Moto Z Droid Case with Resilient Shock Absorption and Carbon Fiber Design for Moto Z Droid 2016—Black”, <https://www.amazon.com/dp/B01HCACIMBQ>, Earliest review date of Dec. 9, 2016, Downloaded on Jul. 17, 2018.

“Spigen Rugged Armor Galaxy A3 2016 Case with Resilient Shock Absorption and Carbon Fiber Design for Galaxy A3 2016—Black”, <https://www.amazon.com/Spigen-Rugged-Armor-Samsung-Galaxy/dp/B01HFMYLIC>, Earliest review date of Dec. 18, 2016, Downloaded on Jul. 17, 2018.

“Spigen Rugged Armor ZenFone 3 Max Case (ZC520TL) with Resilient Shock Absorption and Carbon Fiber Design for ASUS ZenFone 3 Max (ZC520TL)—Black”, <https://www.amazon.com/dp/B01MSDJQ7C>, Earliest review date of Mar. 9, 2017, Downloaded on Jul. 18, 2018.

“Spigen Rugged Armor Extra Designed for LG G6 Case (2017)/Designed for LG G6 Plus (2017)—Black”, <https://www.amazon.com/Spigen-Rugged-Resilient-Absorption-Carbon/dp/B01N6T9PHS>, Earliest review date of Mar. 28, 2017, Downloaded on Jan. 9, 2020.

“Spigen Rugged Armor LG G6 Case/G6 Plus Case with Resilient Shock Absorption and Carbon Fiber Design for LG G6/G6 Plus

(56)

References Cited

OTHER PUBLICATIONS

(2017)—Black”, <https://www.amazon.com/dp/B01MUCZILA>, Earliest review date of Mar. 30, 2017, Downloaded on Jul. 18, 2018.

“Spigen Rugged Armor Galaxy S8 Plus Case with Resilient Shock Absorption and Carbon Fiber Design for Galaxy S8 Plus (2017)—Black”, <https://www.amazon.com/Spigen-Rugged-Designed-Samsung-Galaxy/dp/B06XNW4ZVJ>, Earliest review date of Apr. 3, 2017, Downloaded on Jul. 17, 2018.

“Spigen Rugged Armor Galaxy S8 Case with Resilient Shock Absorption and Carbon Fiber Design for Samsung Galaxy S8 (2017)—Black”, <https://www.amazon.com/Spigen-Rugged-Designed-Samsung-Galaxy/dp/B06XNNJ4KM>, Earliest review date of Apr. 7, 2017, Downloaded on Jul. 17, 2018.

Spigen, “Spigen Rugged Armor Extra”, <https://www.youtube.com/watch?v=ILUEjn1P2hk>, Published May 26, 2017, downloaded on Jan. 9, 2020.

“Spigen Rugged Armor Huawei P10 Plus Case with Resilient Shock Absorption and Carbon Fiber Design for Huawei P10 Plus(2017)—Rugged Armor”, <https://www.amazon.com/dp/B06XFZW779>, Earliest review date of May 26, 2017, Downloaded on Jul. 18, 2018.

“Spigen Rugged Armor Galaxy J7 2017 Case, J7 Prime, J7 2017(AT &T), J7 Sky Pro, J7 Perx case with Resilient Shock Absorption and Carbon Fiber Design for Samsung Galaxy J7 V 2017—Black”, <https://www.amazon.com/Spigen-Rugged-Resilient-Absorption-Samsung/dp/B06WRRF36B>, Earliest review date of May 31, 2017, Downloaded on Jan. 15, 2019.

“Spigen Rugged Armor Huawei P10 Lite Case with Resilient Shock Absorption and Carbon Fiber Design for Huawei P10 Lite (2017)—Black”, <https://www.amazon.com/dp/B06XC�Q3S4>, Earliest review date of Jun. 7, 2017, Downloaded on Jul. 18, 2018.

“Spigen Rugged Armor Huawei P10 Case with Resilient Shock Absorption and Carbon Fiber Design for Huawei P10 Lite (2017)—Black”, <https://www.amazon.com/dp/B06XCTQR1W>, Earliest review date of Jun. 8, 2017, Downloaded on Jul. 18, 2018.

“Spigen Rugged Armor HTC U11 Case with Resilient Shock Absorption and Carbon Fiber Design for HTC U 11 (2017)—Black”, <https://www.amazon.com/dp/B07234FLGX>, Earliest review date of Jun. 17, 2017, Downloaded on Jul. 18, 2018.

“Spigen Rugged Armor Huawei P8 Lite 2017 Case with Resilient Shock Absorption and Carbon Fiber Design for Huawei P8 Lite (2017)/nova lite/P9 lite 2017/Honor 8 lite—Black”, <https://www.amazon.com/dp/B06XFVXMLN>, Earliest review date of Jun. 24, 2017, Downloaded on Jul. 18, 2018.

“Spigen Rugged Armor Extra Galaxy Temp Case with Resilient Shock Absorption and Carbon Fiber Design for Galaxy Temp (2017)—Black”, <https://www.amazon.com/Spigen-Rugged-Galaxy-Resilient-Absorption/dp/B01MTEQVNB>, Earliest review date of Jul. 6, 2017, downloaded on Jan. 9, 2020.

“Spigen Rugged Armor Sony Xperia XZ Premium Case with Resilient Shock Absorption and Carbon Fiber Design for Sony Xperia XZ Premium (2017)—Black”, <https://www.amazon.com/dp/B072PRXPQC>, Earliest review date of Jul. 14, 2017, Downloaded on Jul. 18, 2018.

“Spigen Rugged Armor OnePlus 5 Case with Resilient Shock Absorption and Carbon Fiber Design for OnePlus 5 (2017)—Black”, <https://www.amazon.com/dp/B06XG19W3G>, Earliest review date of Jul. 25, 2017, Downloaded on Jul. 17, 2018.

“Spigen Rugged Armor Moto Z2 Play Case with Resilient Shock Absorption and Carbon Fiber Design for Moto Z2 Play—Black”, <https://www.amazon.com/dp/B071WR4H9V>, Earliest review date of Jul. 27, 2017, Downloaded on Jul. 17, 2018.

“Spigen Rugged Armor Galaxy Note 8 Case with Resilient Shock Absorption and Carbon Fiber Design for Galaxy Note 8 (2017)—Matte Black”, <https://www.amazon.com/Spigen-Rugged-Galaxy-Resilient-Absorption/dp/B073RWJ6Z7>, Earliest review date of Aug. 26, 2017, Downloaded on Jan. 15, 2019.

“Spigen Rugged Armor Galaxy Note 8 Case with Resilient Shock Absorption and Carbon Fiber Design for Galaxy Note 8 (2017)—Matte Black”, <https://www.amazon.com/Spigen-Rugged-Designed-Samsung-Galaxy/dp/B073RWJ6Z7>, Earliest review date of Aug. 26, 2017, Downloaded on Jul. 17, 2018.

“Spigen Rugged Armor Moto E4 Case with Resilient Shock Absorption and Carbon Fiber Design for Moto E4 (2017)—Black”, <https://www.amazon.com/Spigen-Rugged-Armor-Designed-Motorola/dp/B073RVC6YY>, Earliest review date of Sep. 5, 2017, Downloaded on Jul. 17, 2018.

“Spigen Rugged Armor Extra Designed for Apple iPhone 7 Case (2016)—Black”, <https://www.amazon.com/Spigen-Rugged-iPhone-Resilient-Absorption/dp/B06XC8WL7P>, Earliest review date of Sep. 7, 2017, downloaded on Jan. 9, 2020.

“Spigen Rugged Armor Moto Z2 Force Case with Resilient Shock Absorption and Carbon Fiber Design for Moto Z2 Force (2017)—Black”, <https://www.amazon.com/Spigen-Rugged-Resilient-Absorption-Carbon/dp/B074BCC6K7>, Earliest review date of Sep. 23, 2017, downloaded on Jul. 17, 2018.

“Spigen Tough Armor TECH with Custom-Fit Tempered Glass Designed for iPad 9.7Case iPad 5th/6thGeneration Case(2017/2018)”, <https://www.amazon.com/dp/B07DHHXZXC4>, Earliest review date of Jun. 4, 2018, Downloaded on Sep. 10, 2020.

“Spigen Rugged Armor Pro Designed for Apple Watch Case for 42mm Series 3/2/1/Original (2015)—Black”, <https://www.amazon.com/dp/B075FJCM4G>, Earliest review date of Jun. 19, 2018, Downloaded on Jun. 16, 2020.

“Spigen Rugged Armor Pro Designed for Apple Watch Case for 38mm Series 3/2/1/Original (2015)—Black”, <https://www.amazon.com/dp/B075FK5CTW>, Earliest review date of Jul. 10, 2018, Downloaded on Jun. 16, 2020.

“Spigen Rugged Armor Designed for Apple iPhone Xs MAX Case (2018)—Matte Black”, <https://www.amazon.com/dp/B07GT9VYKF>, Earliest review date of Sep. 21, 2018, Downloaded on Jan. 15, 2019.

“Spigen Rugged Armor Designed for Google Pixel 3 XL Case (2018)—Black”, <https://www.amazon.com/dp/B07H5T6DQ8>, Earliest review date of Oct. 13, 2018, Downloaded on Jan. 15, 2019.

“Spigen Rugged Armor Designed for Google Pixel 3 Case (2018)—Black”, <https://www.amazon.com/dp/B07H5S33FL>, Earliest review date of Oct. 14, 2018, Downloaded on Jan. 15, 2019.

“Spigen Rugged Armor Designed for Apple iPhone XR Case (2018)—Matte Black”, <https://www.amazon.com/dp/B07GJKPM1D>, Earliest review date of 20181020, Downloaded on 20190115.

“Spigen Rugged Armor Designed for LG V40 ThinQ Case (2018)—Black”, <https://www.amazon.com/dp/B07GQBN1MX>, Earliest review date of Oct. 21, 2018, Downloaded on Jan. 15, 2019.

“Spigen Rugged Armor Pro Designed for Apple Watch Case with Band for 44mm Series 5/Series 4—Black”, <https://www.amazon.com/dp/B07HSSDV4S>, Earliest review date of Nov. 24, 2018, Downloaded on Jun. 16, 2020.

“Spigen Rugged Armor Designed for Xiaomi POCOPHONE F1 Case (2018)—Matte Black”, <https://www.amazon.com/dp/B07H4XT67N/>, Earliest review date of Dec. 28, 2018, Downloaded on Jan. 15, 2019.

“Spigen Rugged Armor Designed for Samsung Galaxy S10 Plus Case (2019)—Matte Black”, <https://www.amazon.com/dp/B07MJQYDYB>, Earliest review date of Feb. 21, 2019, Downloaded on Oct. 3, 2019.

* cited by examiner

FIG. 1

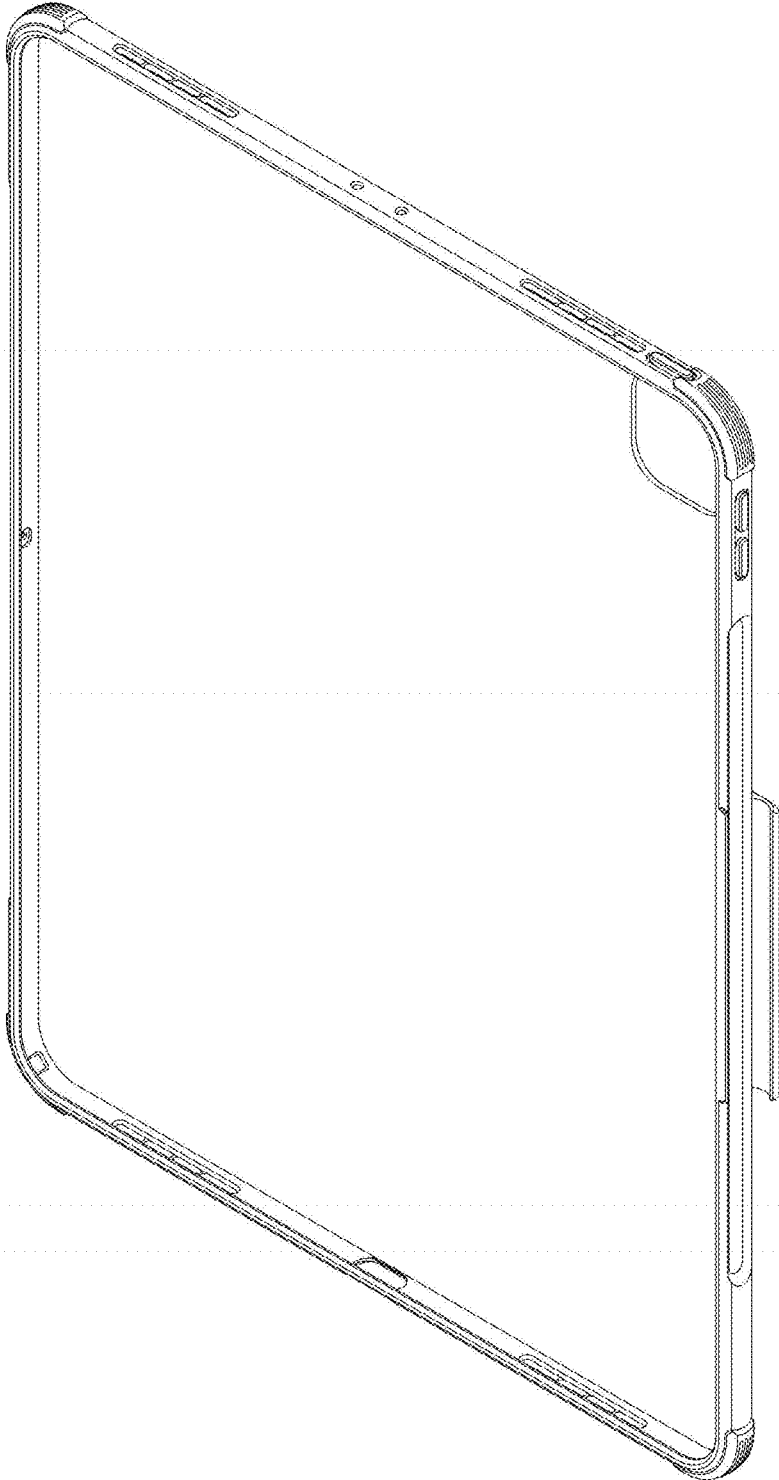


FIG. 2

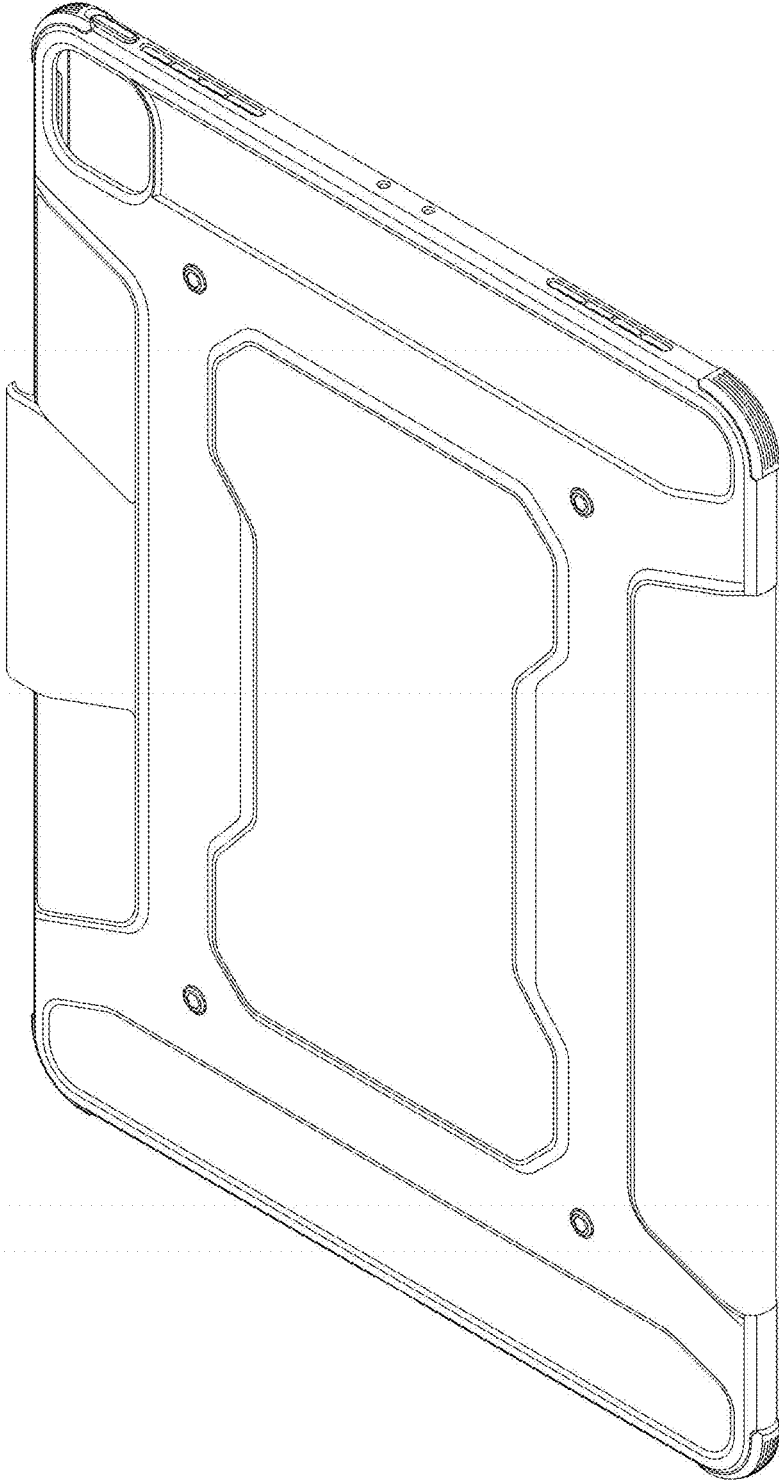


FIG. 3

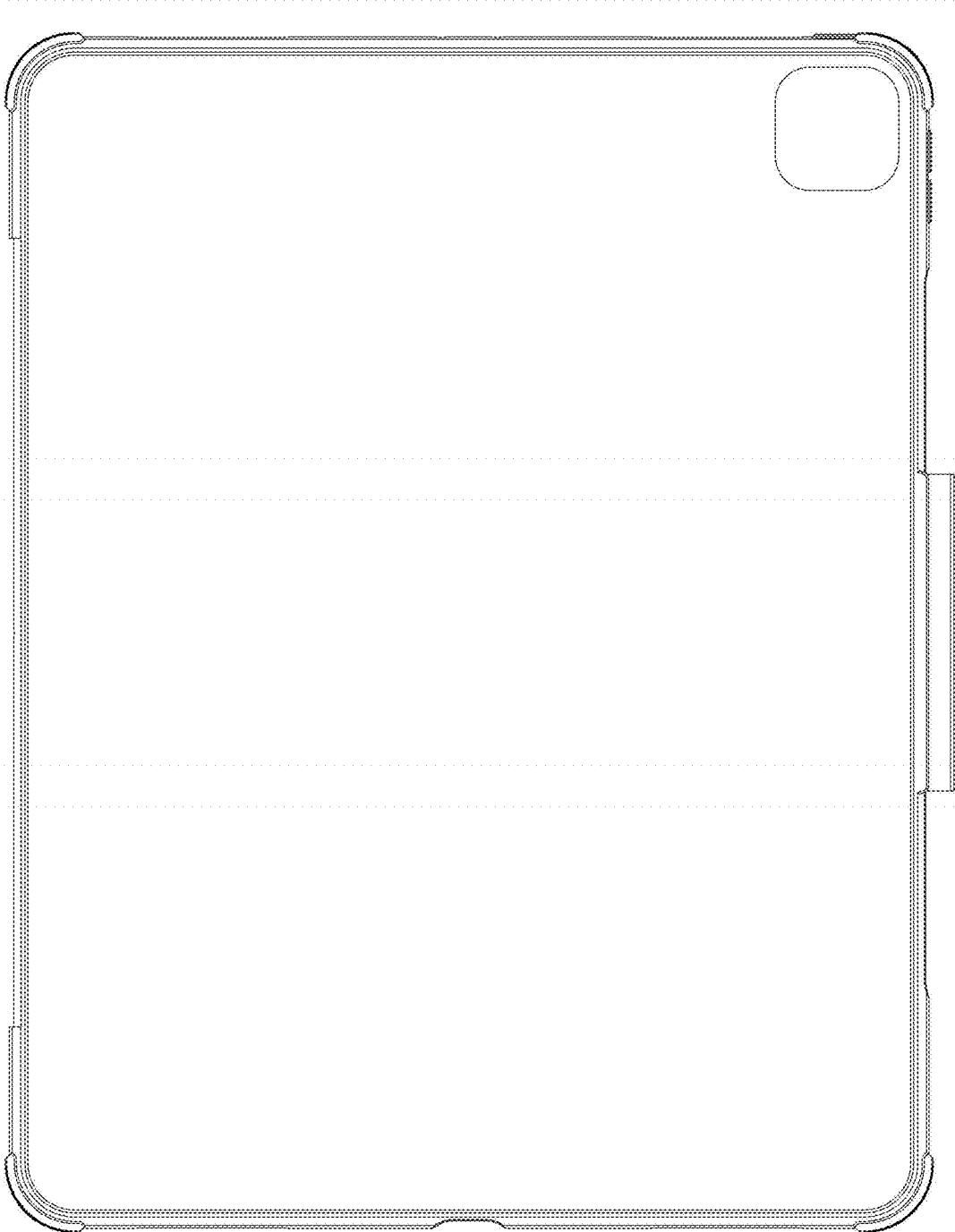


FIG. 4

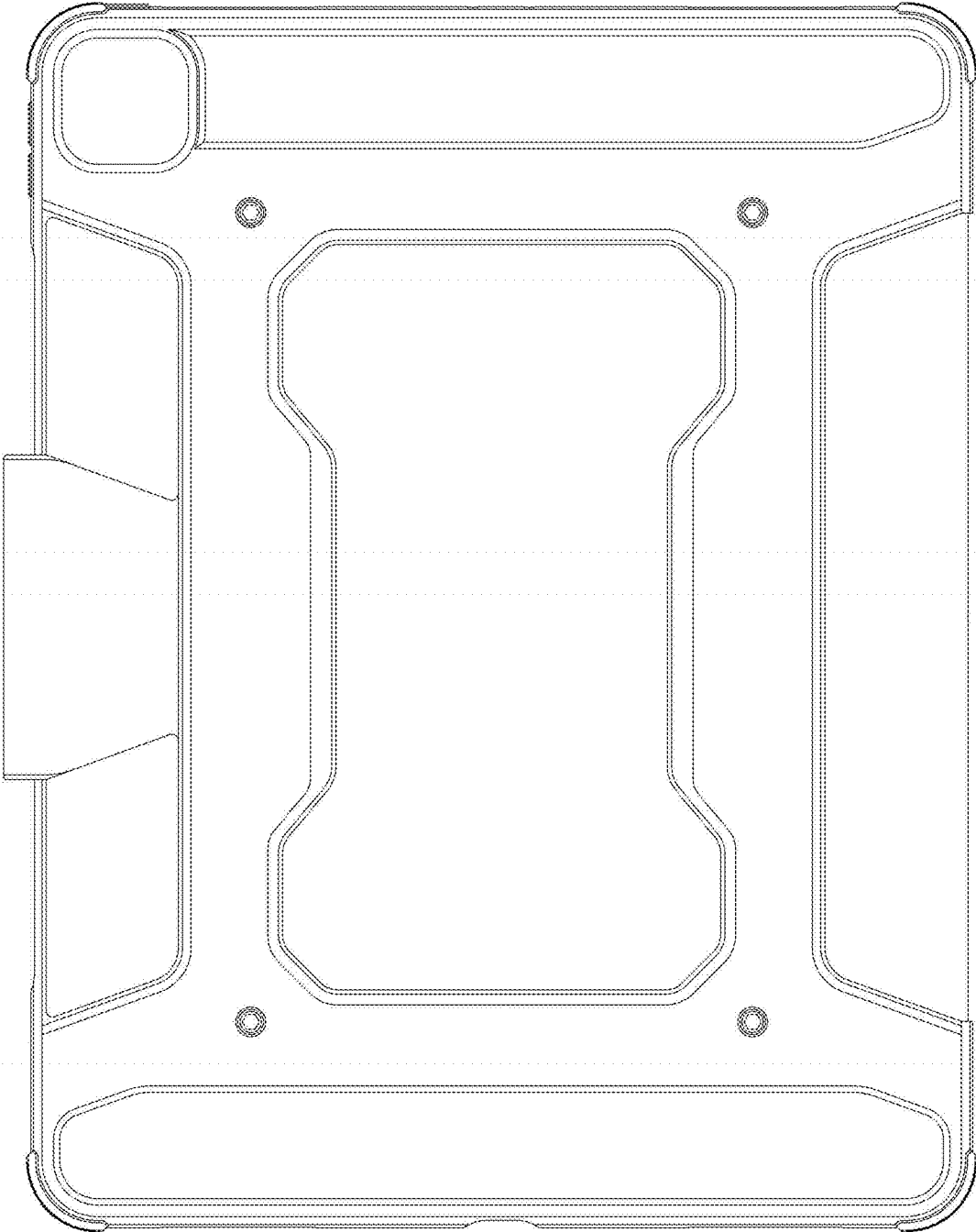


FIG. 5

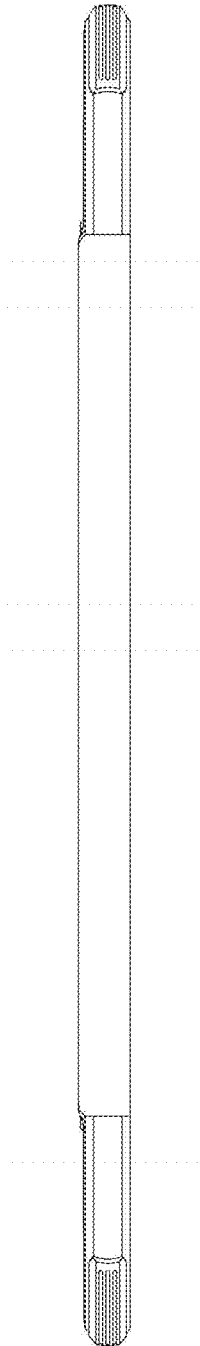


FIG. 6

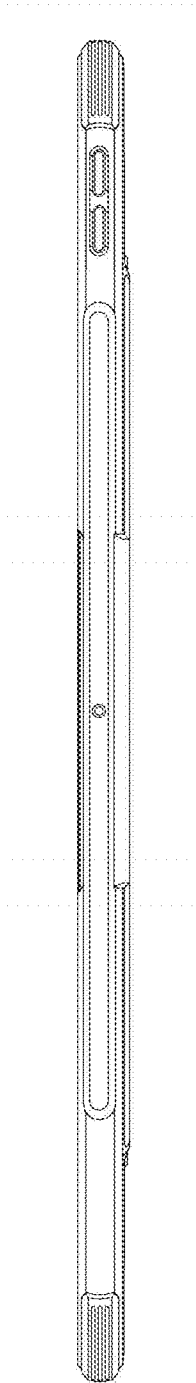


FIG. 7

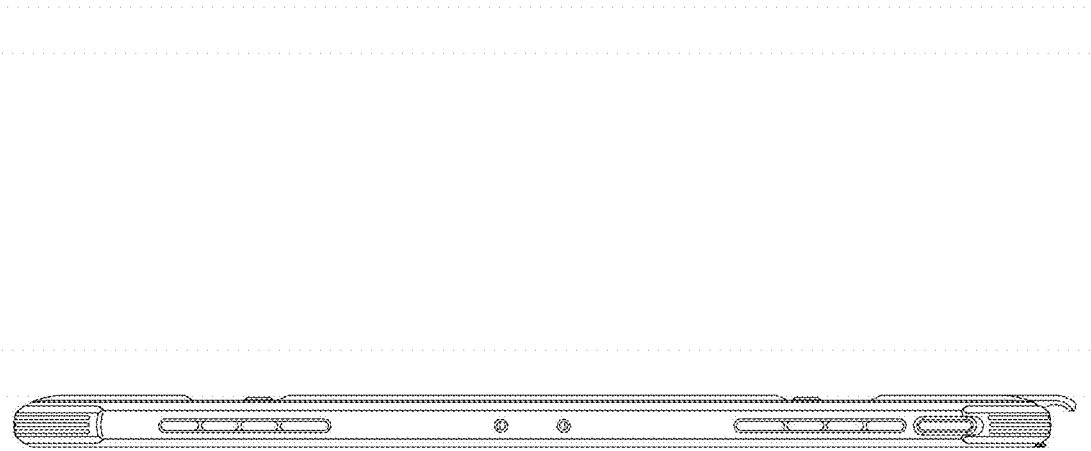


FIG. 8

