



US00D996897S

(12) **United States Design Patent**
Meyers et al.

(10) **Patent No.:** **US D996,897 S**

(45) **Date of Patent:** **** Aug. 29, 2023**

(54) **SPOUT**

(71) Applicant: **Runway Blue, LLC**, Alpine, UT (US)

(72) Inventors: **David O. Meyers**, Layton, UT (US);
John R. Omdahl, II, Lindon, UT (US);
Daniel Kendall Harden, Palo Alto, CA (US);
Elliot Lucas Ortiz, San Francisco, CA (US)

(73) Assignee: **Runway Blue, LLC**, Alpine, UT (US)

(**) Term: **15 Years**

(21) Appl. No.: **29/842,537**

(22) Filed: **Jun. 14, 2022**

Related U.S. Application Data

(63) Continuation of application No. 29/768,922, filed on Feb. 2, 2021, now Pat. No. Des. 955,166, which is a continuation of application No. 29/731,210, filed on Apr. 13, 2020, now Pat. No. Des. 911,104, which is a continuation of application No. 29/602,291, filed on Apr. 28, 2017, now Pat. No. Des. 884,416.

(51) **LOC (14) Cl.** **07-99**

(52) **U.S. Cl.**
USPC **D7/398**

(58) **Field of Classification Search**
USPC ... D7/509-511, 396.2, 396, 387, 396.1, 398, D7/397, 608, 300.1, 591, 529, 533-536; D9/434, 435, 443, 447, 452, 503, 504
CPC A47G 19/22; A47G 19/2205; A45F 3/16; B65D 41/04; B65D 43/02
See application file for complete search history.

(56) **References Cited**

U.S. PATENT DOCUMENTS

2,573,378 A 10/1951 Zurlinden
3,770,160 A 11/1973 Flider

D292,489 S 10/1987 Kowollik et al.
4,948,009 A 8/1990 Sawatani
5,318,203 A 6/1994 Iaia et al.
D399,744 S 10/1998 Gross
D413,514 S 9/1999 Pericard
D417,845 S 12/1999 Sadlier et al.
D436,040 S 1/2001 Warner et al.
D437,223 S 2/2001 Coy et al.
6,367,670 B1 4/2002 Warner et al.
D462,009 S 8/2002 Poisson et al.
D476,892 S 7/2003 Martin et al.

(Continued)

OTHER PUBLICATIONS

Amazon. Avana Ashbury Stainless Steel Double-Wall Insulated Water Bottle, Reportedly accessed Oct. 16, 2019, https://www.amazon.com/Avana-Ashbury-Stainless-Double-Wall-Insulated/dp/B07QK9J832/ref=cm_er_arp_d_product_top?ie=UTF8.

(Continued)

Primary Examiner — Andrew Kerr
(74) *Attorney, Agent, or Firm* — Sterne, Kessler, Goldstein & Fox P.L.L.C.

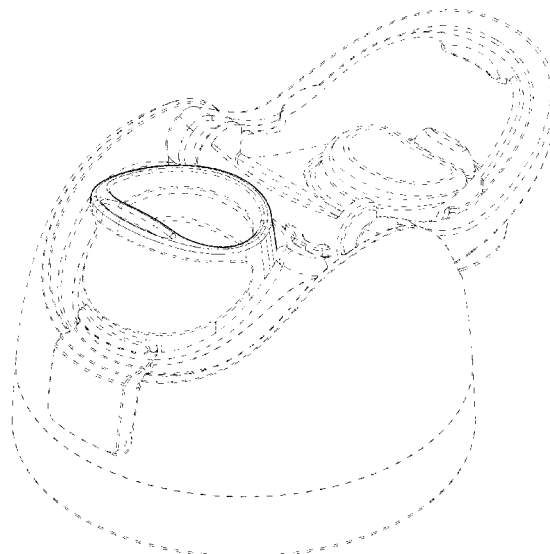
(57) **CLAIM**

The ornamental design for a spout, as shown and described.

DESCRIPTION

FIG. 1 is a top front perspective view of a spout, showing the claimed design;
FIG. 2 is a top rear perspective view thereof;
FIG. 3 is a front view thereof;
FIG. 4 is a rear view thereof;
FIG. 5 is a left side view thereof;
FIG. 6 is a right side view thereof;
FIG. 7 is a top view thereof; and,
FIG. 8 is a bottom view thereof.
The broken lines illustrate environmental structure and parts of the article that form no part of the claimed design.

1 Claim, 8 Drawing Sheets



(56)

References Cited

U.S. PATENT DOCUMENTS

7,073,678 B1 *	7/2006	Dibdin	A47G 19/2272 222/548	D758,127 S	6/2016	Zhao	
D530,202 S	10/2006	Herald et al.		D761,649 S	7/2016	Buck	
7,124,917 B2	10/2006	Lee		9,392,893 B2	7/2016	Sorensen et al.	
D532,302 S	11/2006	Moretti		D768,491 S	10/2016	Sorensen et al.	
D547,605 S	7/2007	Edelstein et al.		D779,872 S *	2/2017	Bergström	D9/449
D547,607 S	7/2007	Forsman		D781,703 S	3/2017	Strachan	
D562,065 S	2/2008	Smaldone		D782,310 S	3/2017	Li	
D586,184 S	2/2009	Miller et al.		D793,154 S	8/2017	Sorensen et al.	
D588,915 S	3/2009	Lohmlan et al.		D795,006 S *	8/2017	Heiberger	D7/392.1
D591,595 S	5/2009	Tedford, Jr.		9,790,007 B2	10/2017	Sorensen et al.	
D601,017 S	9/2009	Hungerford		D806,469 S	1/2018	Palmer	
7,717,284 B2	5/2010	Giusti		D814,855 S	4/2018	Hammer	
D626,837 S	11/2010	Meyers et al.		9,944,435 B2	4/2018	Mithal	
D626,838 S	11/2010	Meyers et al.		D822,484 S	7/2018	D'Amato	
D628,887 S	12/2010	Groubert et al.		D831,482 S	10/2018	Meyers	
D628,890 S	12/2010	Groubert et al.		10,172,488 B2	1/2019	Sorensen et al.	
D628,893 S	12/2010	Groubert et al.		D852,625 S	7/2019	Meyers	
D636,672 S	4/2011	Lohrman et al.		D855,402 S	8/2019	Steinmann	
D649,878 S	12/2011	Weiss		D861,419 S	10/2019	Omdahl et al.	
D649,879 S	12/2011	Gullickson et al.		D862,224 S	10/2019	Meyers	
D652,256 S	1/2012	Eyal		D863,877 S	10/2019	Meyers	
8,146,770 B2	4/2012	Newman		D878,853 S	3/2020	Omdahl et al.	
D660,696 S	5/2012	Weiss		D884,416 S	5/2020	Meyers et al.	
D666,490 S	9/2012	Leon		D886,521 S	6/2020	Meyers	
D677,121 S	3/2013	Meyers et al.		D887,202 S *	6/2020	Wadsworth	D9/449
D679,541 S	4/2013	Samartgis		D887,267 S	6/2020	Meyers	
D682,034 S	5/2013	El-Saden et al.		D911,104 S	2/2021	Meyers et al.	
D686,870 S	7/2013	Young		D925,279 S *	7/2021	Wang	D7/396.2
D696,551 S	12/2013	Meyers et al.		D981,849 S *	3/2023	Qiu	D7/392.1
D696,941 S	1/2014	Kim		2002/0179604 A1	12/2002	Germain et al.	
D696,942 S	1/2014	Kim		2003/0052126 A1	3/2003	Zettle et al.	
D696,943 S	1/2014	Kim		2006/0226110 A1	10/2006	Choi et al.	
D704,053 S	5/2014	Kim		2008/0099514 A1	5/2008	Carter et al.	
D705,058 S	5/2014	Kim		2008/0257899 A1	10/2008	Whitaker et al.	
D707,124 S	6/2014	Blain et al.		2010/0224631 A1	9/2010	Roth et al.	
8,770,435 B2	7/2014	Weiss		2011/0017760 A1	1/2011	Newman	
D711,230 S	8/2014	den Boer		2011/0139800 A1	6/2011	Urban	
D713,723 S	9/2014	den Boer		2011/0253733 A1 *	10/2011	Meyers	B65D 47/089 220/849
D713,724 S	9/2014	den Boer		2012/0055818 A1	3/2012	Zimmern	
8,833,582 B1	9/2014	Meyers		2012/0061398 A1	3/2012	Nilsson	
8,833,586 B2	9/2014	Meyers et al.		2013/0062304 A1	3/2013	Meyers et al.	
D716,141 S	10/2014	Rush		2014/0069918 A1	3/2014	Meyers et al.	
D716,657 S	11/2014	Caneer		2014/0263324 A1	9/2014	Latham et al.	
D719,780 S	12/2014	Sullivan		2014/0299614 A1	10/2014	Mithal	
D721,275 S	1/2015	Thijssen et al.		2014/0360908 A1	12/2014	Sorensen et al.	
D721,276 S	1/2015	Herbst		2015/0014322 A1	1/2015	Kim	
D723,328 S	3/2015	Steel		2015/0201773 A1	7/2015	Sorensen et al.	
D723,332 S	3/2015	Steel		2015/0201774 A1	7/2015	Sorensen et al.	
D727,093 S	4/2015	Lapsker		2015/0201775 A1	7/2015	Sorensen et al.	
D729,569 S	5/2015	Herbst et al.		2015/0329255 A1	11/2015	Rzepecki	
9,027,774 B2	5/2015	Palmer		2016/0007780 A1	1/2016	Dolan et al.	
D730,694 S	6/2015	Elsaden et al.		2017/0007076 A1 *	1/2017	Sorensen	A47J 43/14
D734,152 S	7/2015	Hager et al.		2017/0313478 A1	11/2017	El-Saden et al.	
D737,139 S	8/2015	Sokoly		2018/0050850 A1	2/2018	Murosky et al.	
D739,183 S	9/2015	Lane					
D740,605 S	10/2015	Wodka et al.					
D741,637 S	10/2015	Palermo et al.					
D742,230 S	11/2015	Charles					
D745,827 S	12/2015	Sorensen et al.					
D747,136 S	1/2016	Lane et al.					
D747,624 S *	1/2016	Walker	D7/392.1				
D750,490 S	3/2016	Moore et al.					
D754,000 S	4/2016	Wang					
D754,535 S	4/2016	Kim					
D754,540 S	4/2016	Wang					
D756,702 S *	5/2016	Joseph	D7/392.1				

OTHER PUBLICATIONS

Beachbody on Demand. 11 Water Bottles We're Lusting After. Dated Apr. 15, 2016. <Internet URL: <https://www.beachbodyondemand.com/blog/11-water-bottles-were-lusting-after>>.
 Amazon. Duo Classic protein Shaker Bottle. Jul. 30, 2014 [alleged earliest online date], <Internet URL: <https://www.amazon.com/Duo-Classic-Protein-Shaker-Bottle/dp/BOOJ9XRIEU?th=1>>.
 Amazon. Polar Bottle Thermaluxe Half-Twist Cap, <https://www.amazon.com/Polar-Bottle-Thermaluxe-Half-Twist-Cap/dp/B07CQ4XDNS>. Reportedly accessed May 14, 2019.

* cited by examiner

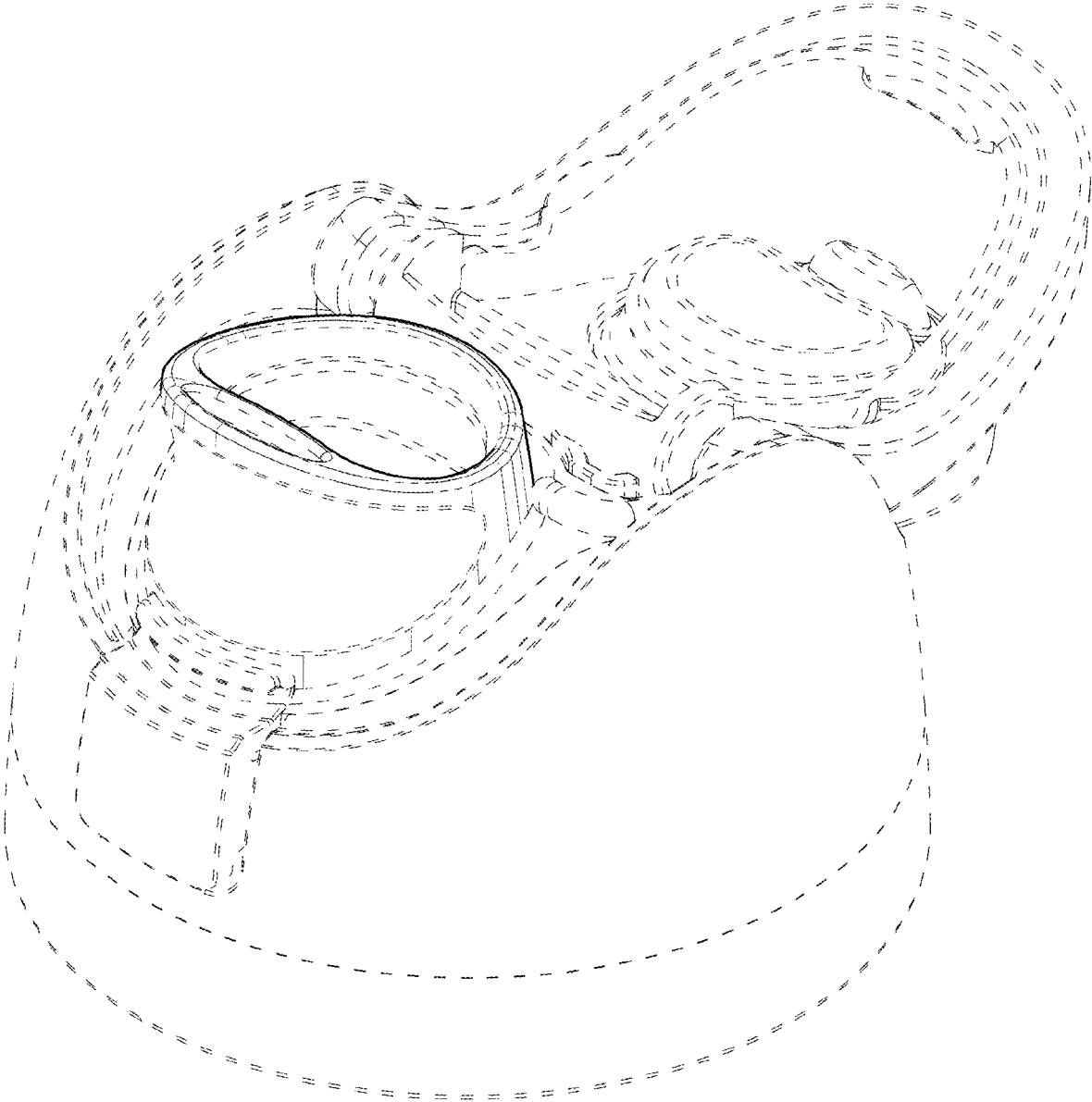


FIG. 1

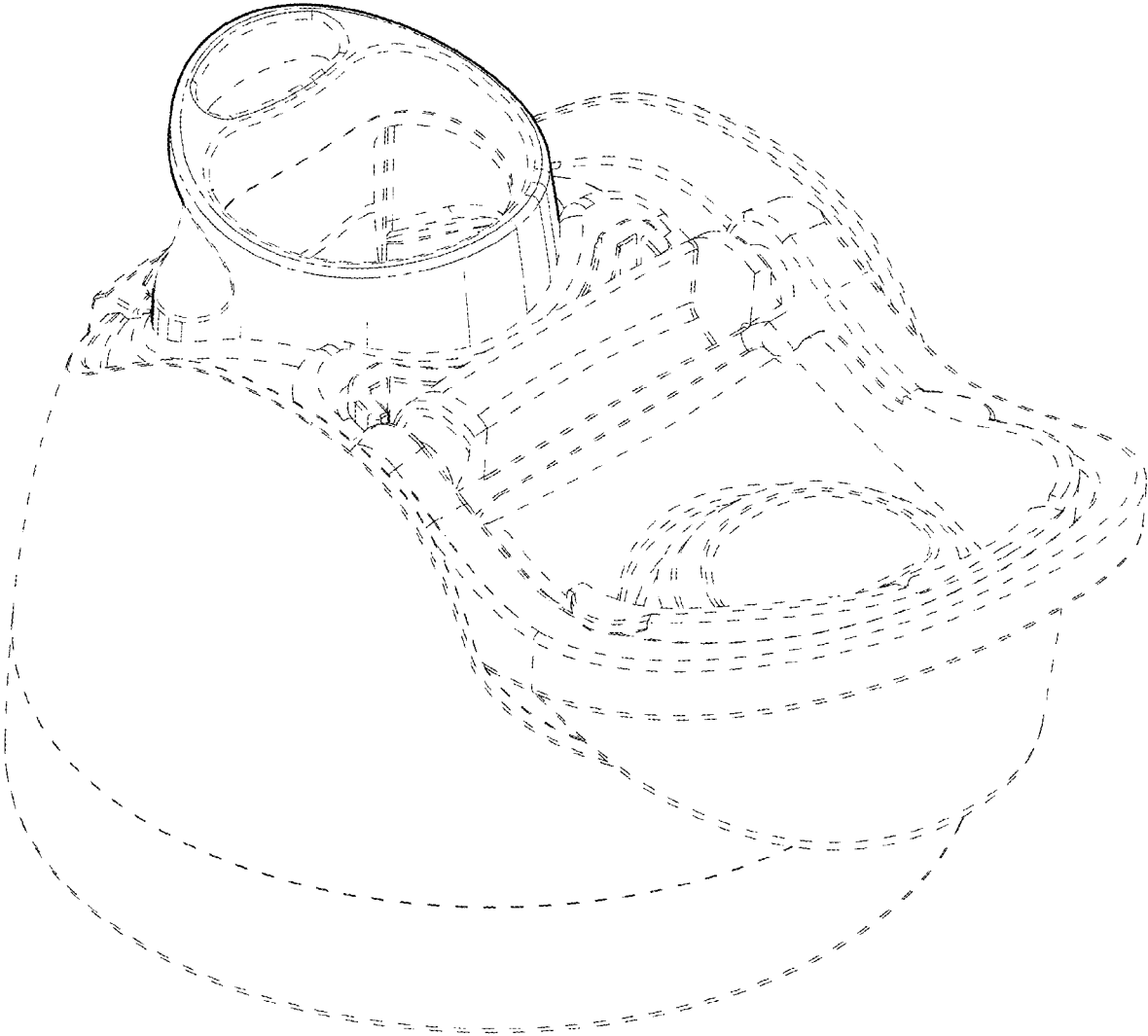


FIG. 2

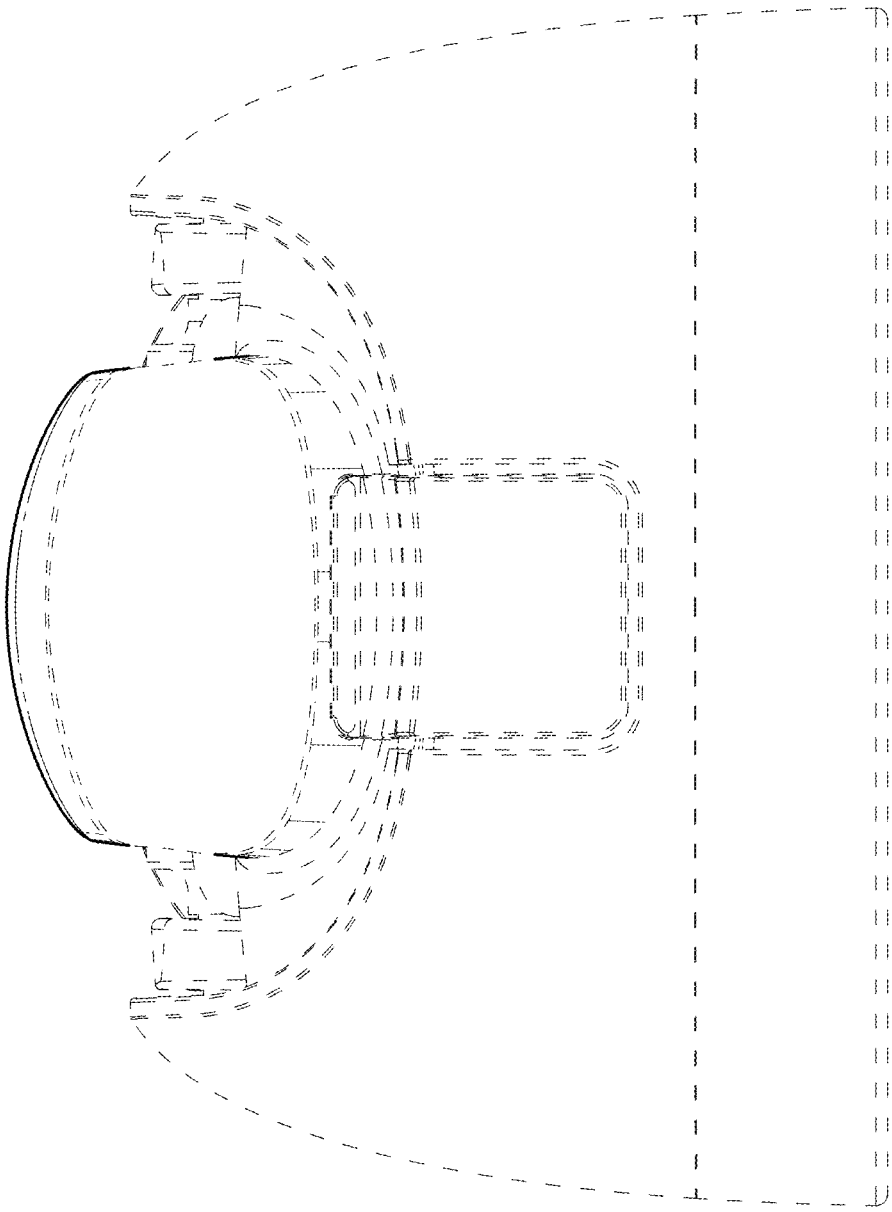


FIG. 3

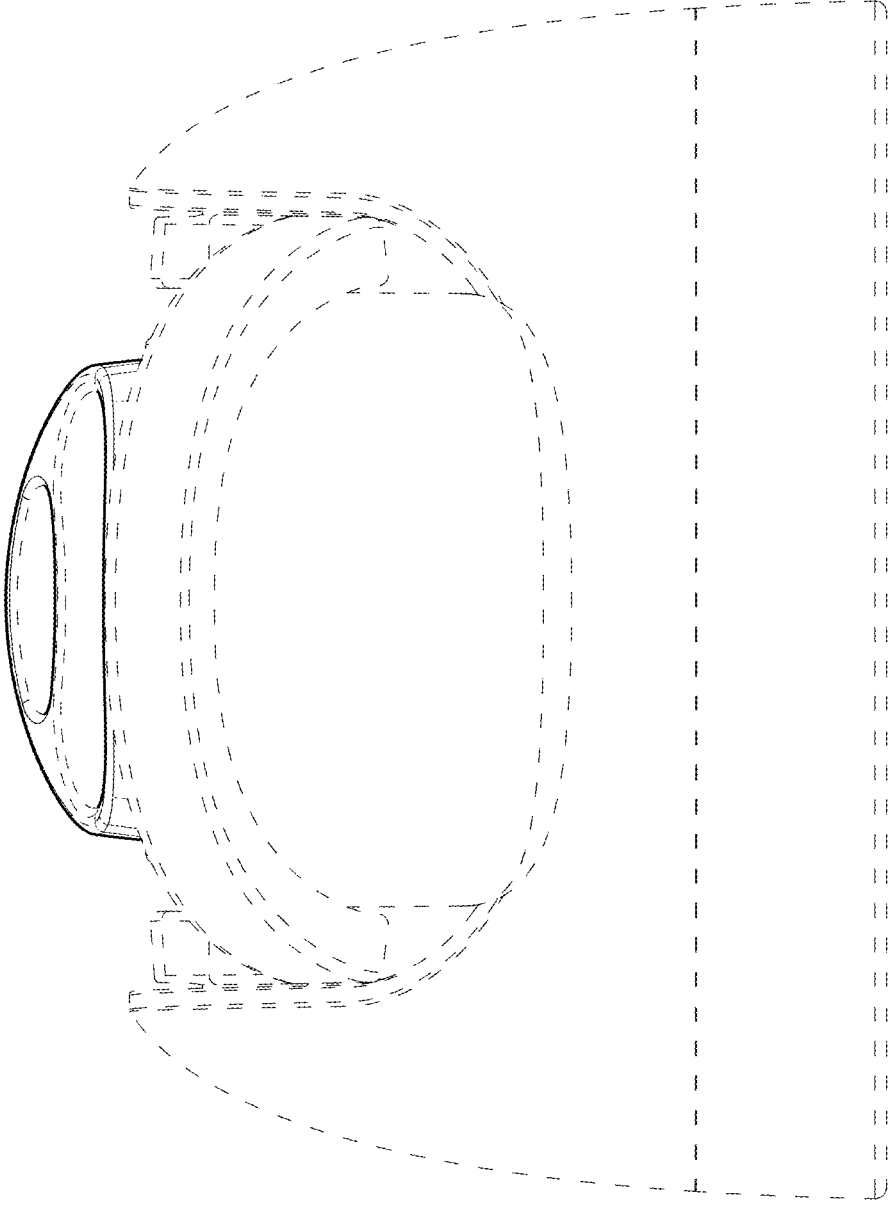


FIG. 4

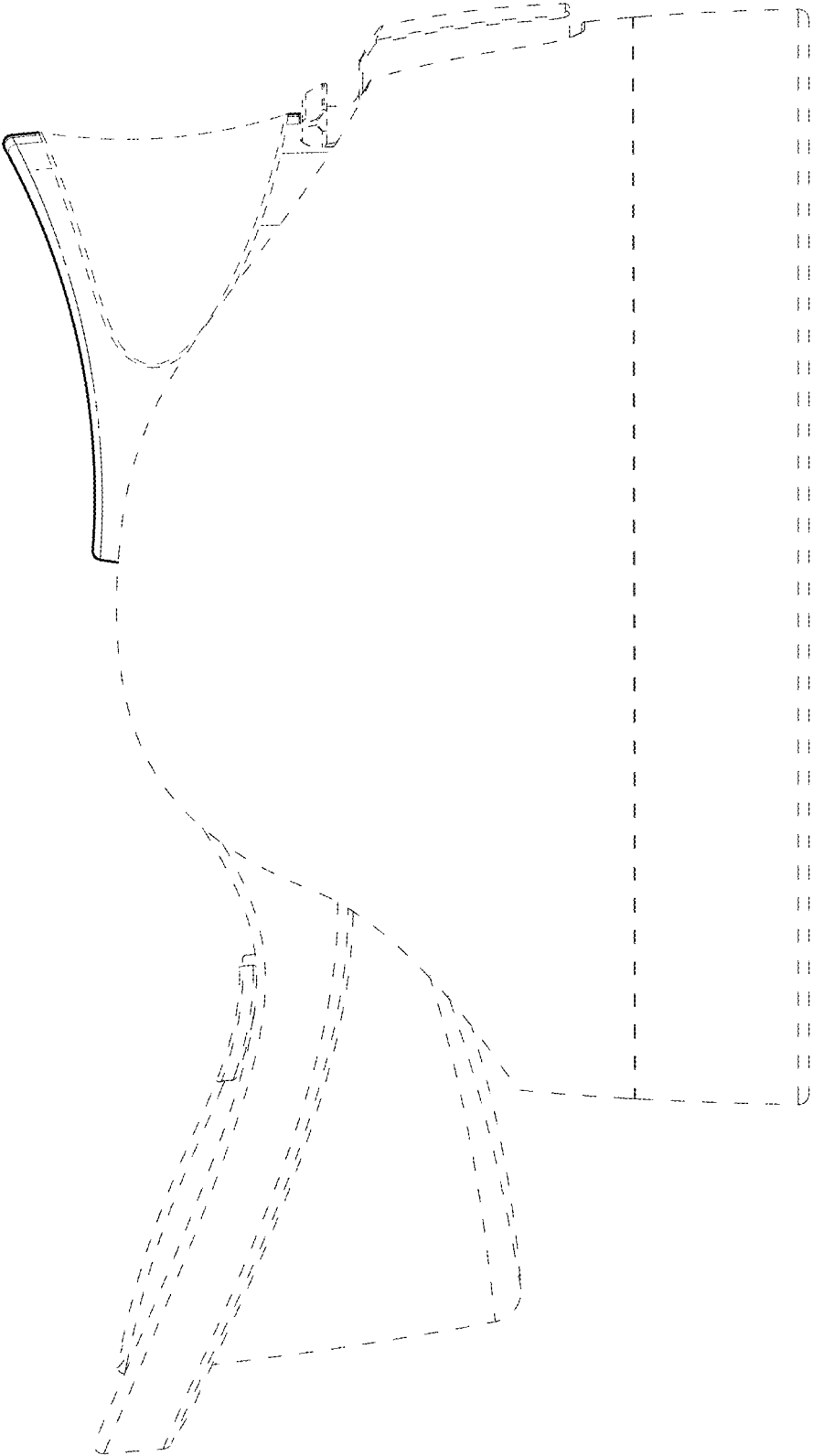


FIG. 5

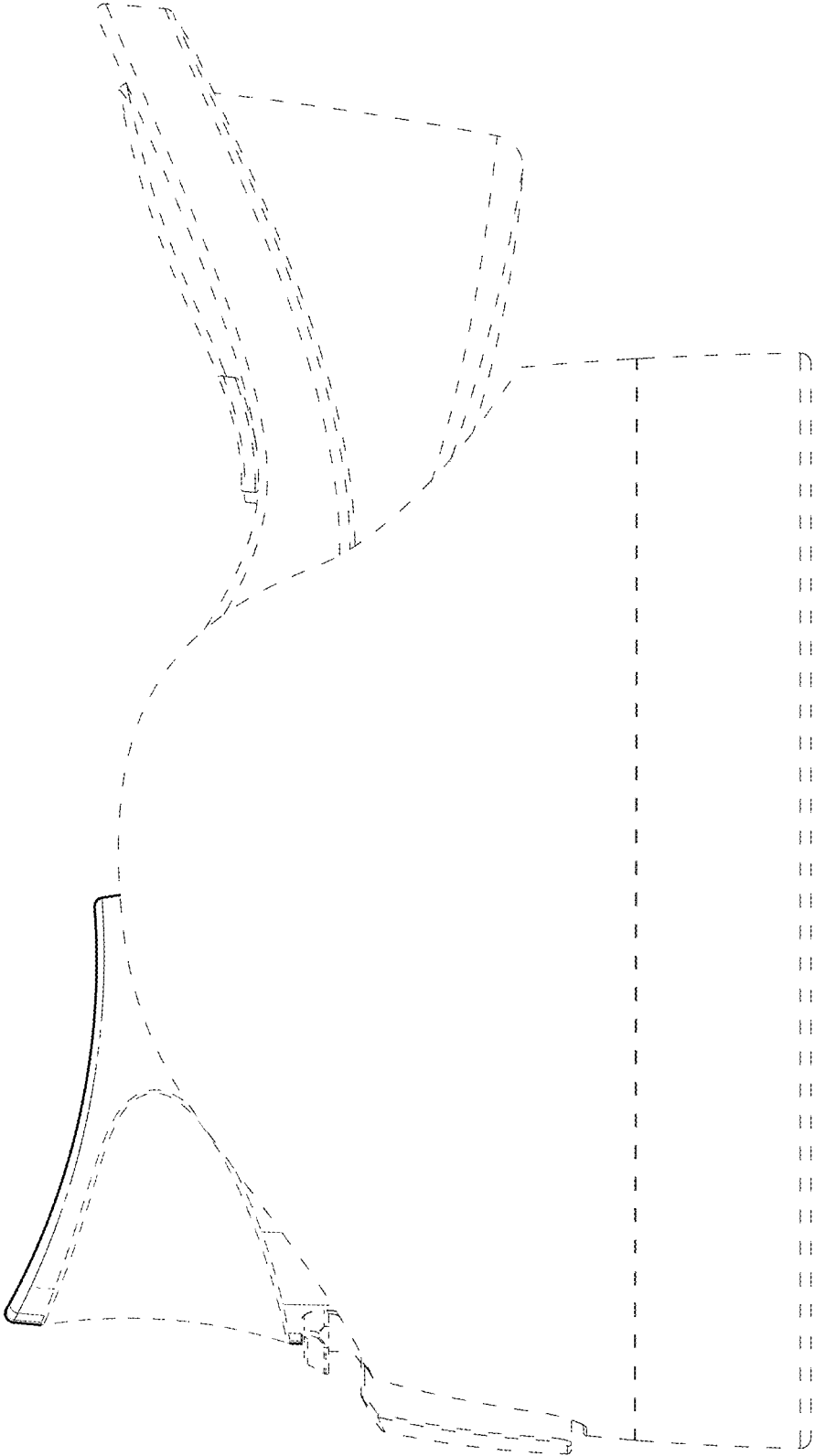


FIG. 6

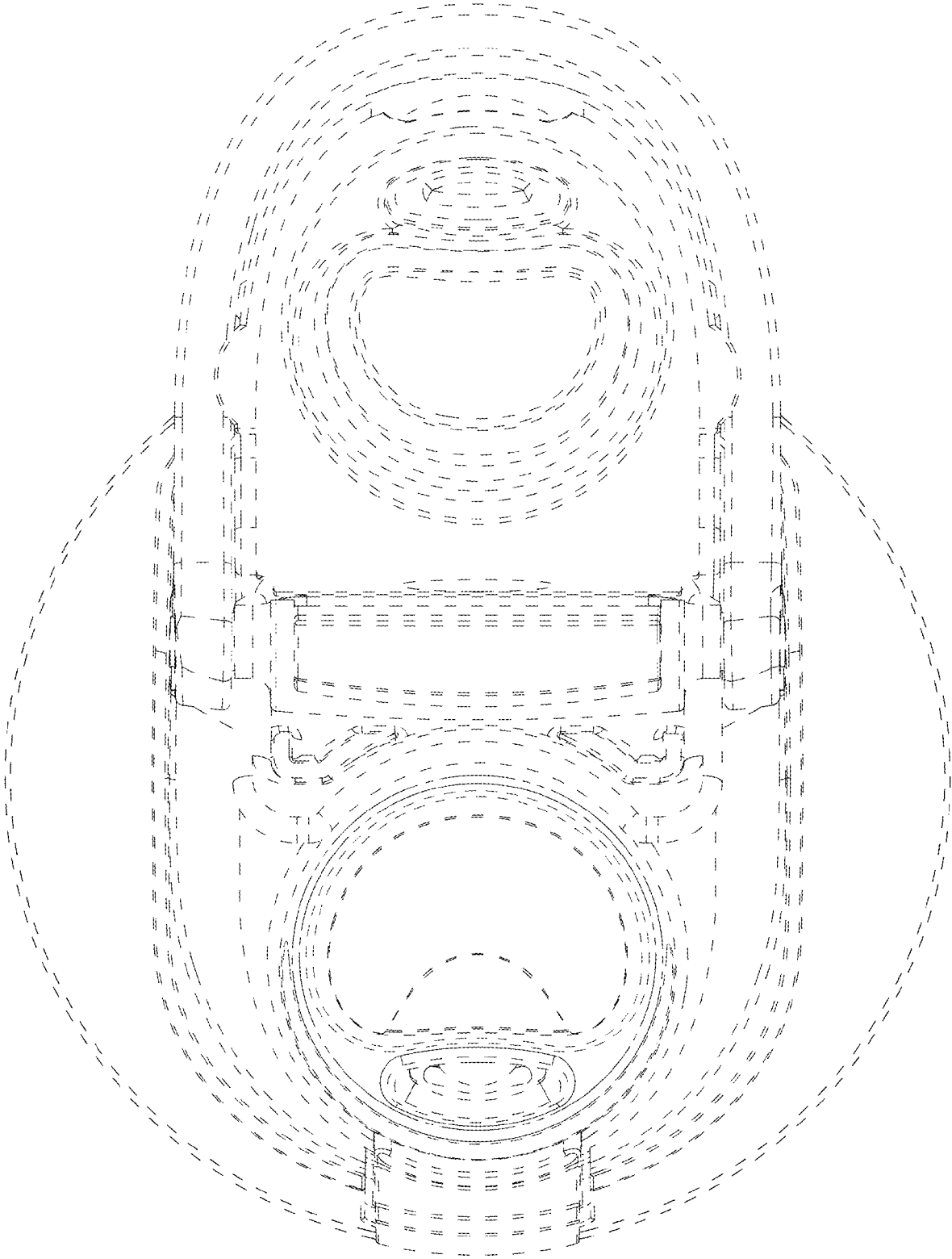


FIG. 7

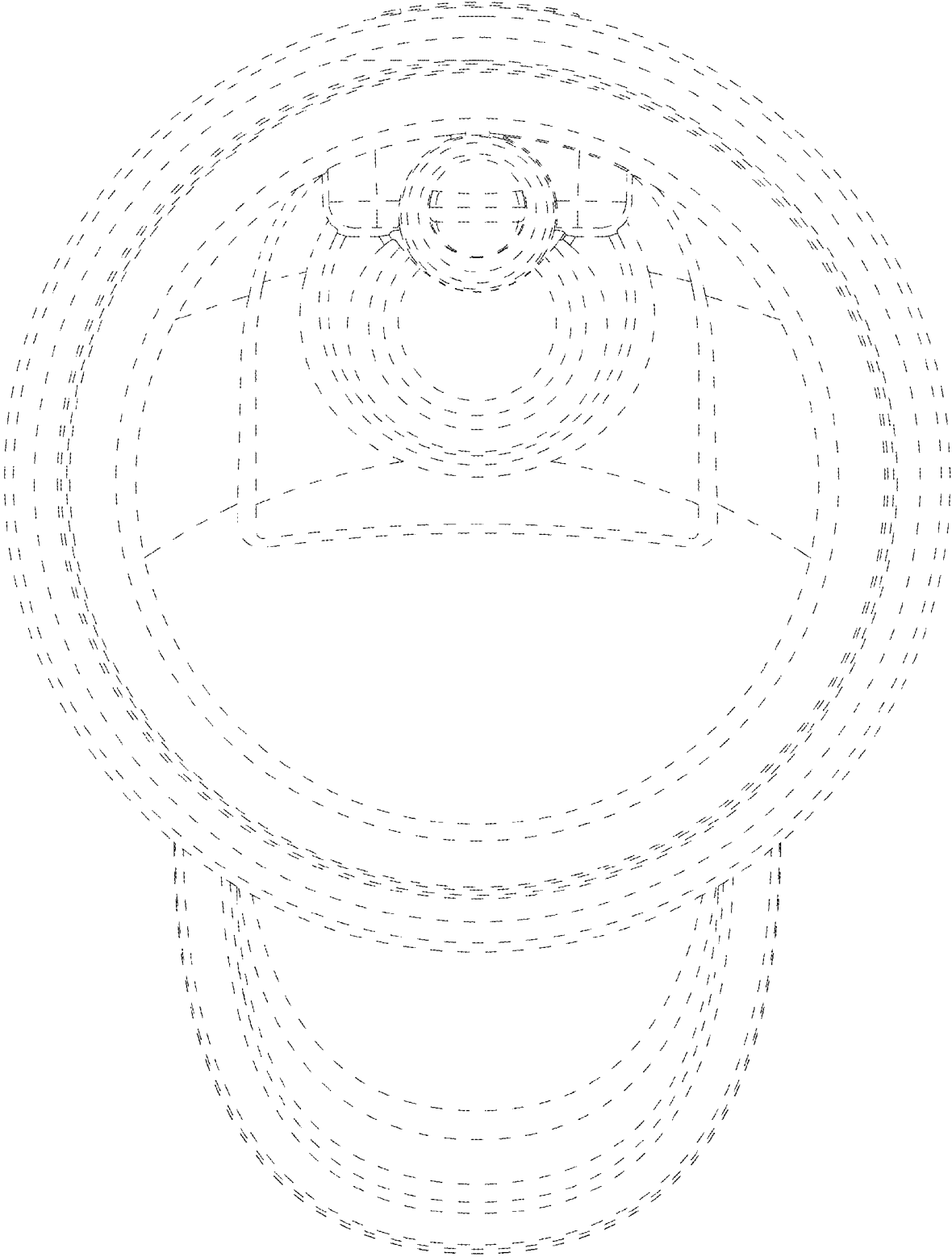


FIG. 8