



(12) **United States Design Patent**
Lan

(10) **Patent No.:** **US D1,015,028 S**
(45) **Date of Patent:** **** Feb. 20, 2024**

(54) **SHOE CABINET**

(71) Applicant: **Tian Lan**, Guangdong (CN)

(72) Inventor: **Tian Lan**, Guangdong (CN)

(**) Term: **15 Years**

(21) Appl. No.: **29/901,110**

(22) Filed: **Aug. 29, 2023**

(30) **Foreign Application Priority Data**

Aug. 17, 2023 (CN) 202330529074.4

(51) **LOC (14) Cl.** **06-04**

(52) **U.S. Cl.**
USPC **D6/671.1**

(58) **Field of Classification Search**
USPC ... D6/657, 663, 664, 671, 671.1, 671.2, 675
CPC A47B 67/04; A47B 81/00; A47B 73/006;
A47B 61/00; A47B 46/00; A47B 67/00;
A47F 3/002; A47F 7/0007

See application file for complete search history.

(56) **References Cited**

U.S. PATENT DOCUMENTS

| | | | | | |
|-----------|-----|---------|-------------|-------|------------|
| 267,654 | A * | 11/1882 | Ross | | A47B 61/00 |
| | | | | | 312/213 |
| D147,640 | S * | 10/1947 | Conner | | D6/662.1 |
| D154,419 | S * | 7/1949 | Mushta | | D6/667 |
| D199,982 | S * | 1/1965 | Carr | | D6/671.1 |
| 4,160,571 | A * | 7/1979 | Bigotti | | A47B 61/04 |
| | | | | | 312/249.11 |
| D274,961 | S * | 8/1984 | Noonchester | | D6/671.1 |
| D325,478 | S * | 4/1992 | Ward | | D6/671.1 |
| D419,333 | S * | 1/2000 | Verbeek | | D6/671 |
| D560,925 | S * | 2/2008 | Lewis | | D6/657 |
| D813,573 | S * | 3/2018 | Hannoosh | | D6/671 |

(Continued)

FOREIGN PATENT DOCUMENTS

| | | | |
|----|-----------|---|--------|
| CN | 308056928 | * | 5/2023 |
| GB | 6062659 | * | 6/2019 |
| GB | 6116468 | * | 2/2021 |

OTHER PUBLICATIONS

ZeHuoGe Cabinet, Amazon Product Listing (Posted on Mar. 1, 2022), Retrieved from the internet (Sep. 22, 2023), URL: https://www.amazon.com/Natural-Cabinet-Slippers-Standing-Entrance/dp/B09TKN1CBC/ref=psdc_1063306_t2_B0C1CCWNH6?th=1 (Year: 2022).*

(Continued)

Primary Examiner — Steven J Czyz

Assistant Examiner — Varun Salil Kamat

(74) *Attorney, Agent, or Firm* — Kunzler Bean & Adamson, PC; Bryan Pitt

(57) **CLAIM**

The ornamental design for a shoe cabinet, as shown and described.

DESCRIPTION

FIG. 1 is a front, right and top perspective view of a shoe cabinet, showing my design.

FIG. 2 is a rear, left and bottom perspective view thereof.

FIG. 3 is a front elevation view thereof.

FIG. 4 is a rear elevation view thereof.

FIG. 5 is a left side elevation view thereof.

FIG. 6 is a right side elevation view thereof.

FIG. 7 is a top plan view thereof.

FIG. 8 is a bottom plan view thereof.

FIG. 9 is an enlarged view of detail 9 in FIG. 1.

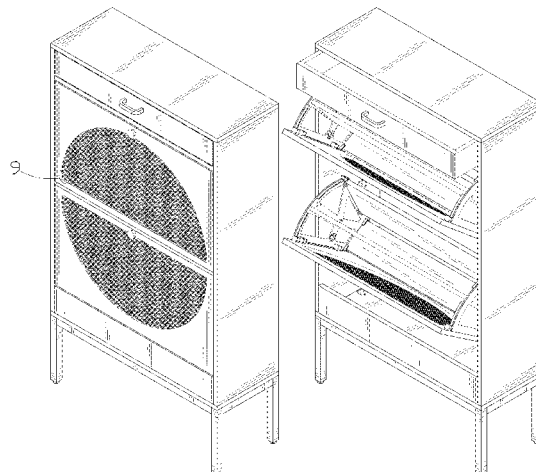
FIG. 10 is an enlarged view of detail 10 in FIG. 2; and,

FIG. 11 is another front, right and top perspective view of the shoe cabinet in a usable state.

The broken lines depict portions of the shoe cabinet that form no part of the claimed design.

The dot-dash broken lines in FIGS. 1, 2, 9 and 10 depict the boundaries of the enlargements that form no part of the claimed design.

1 Claim, 11 Drawing Sheets



(56)

References Cited

U.S. PATENT DOCUMENTS

| | | | | | | |
|----------|---|---|---------|-------|-------|----------|
| D832,625 | S | * | 11/2018 | Chiao | | D6/671 |
| D889,170 | S | * | 7/2020 | Knox | | D6/671.1 |
| D899,825 | S | * | 10/2020 | Li | | D6/671.1 |
| D906,021 | S | * | 12/2020 | Davis | | D6/657 |
| D957,166 | S | * | 7/2022 | Davis | | D6/657 |
| D957,850 | S | * | 7/2022 | Davis | | D6/661 |
| D983,577 | S | * | 4/2023 | Yue | | D6/671.1 |
| D988,038 | S | | 6/2023 | Fang | | |
| D993,684 | S | | 8/2023 | Zhang | | |
| D997,608 | S | * | 9/2023 | Chen | | D6/671 |

OTHER PUBLICATIONS

Brafab Shoe Cabinet, Amazon Product Listing (Posted on Aug. 26, 2022), Retrieved from the internet (Sep. 22, 2023), URL:<https://www.amazon.com/Brafab-Storage-Entryway-Organizer-Sneakers/dp/B0BC143341/ref=> (Year: 2022).*

YeChen Cabinet, Amazon Product Listing (Posted on Dec. 6, 2022), Retrieved from the internet (Sep. 22, 2023), URL: <https://www.amazon.com/dp/B0BP2JYWYZ/ref=> (Year: 2022).*

* cited by examiner

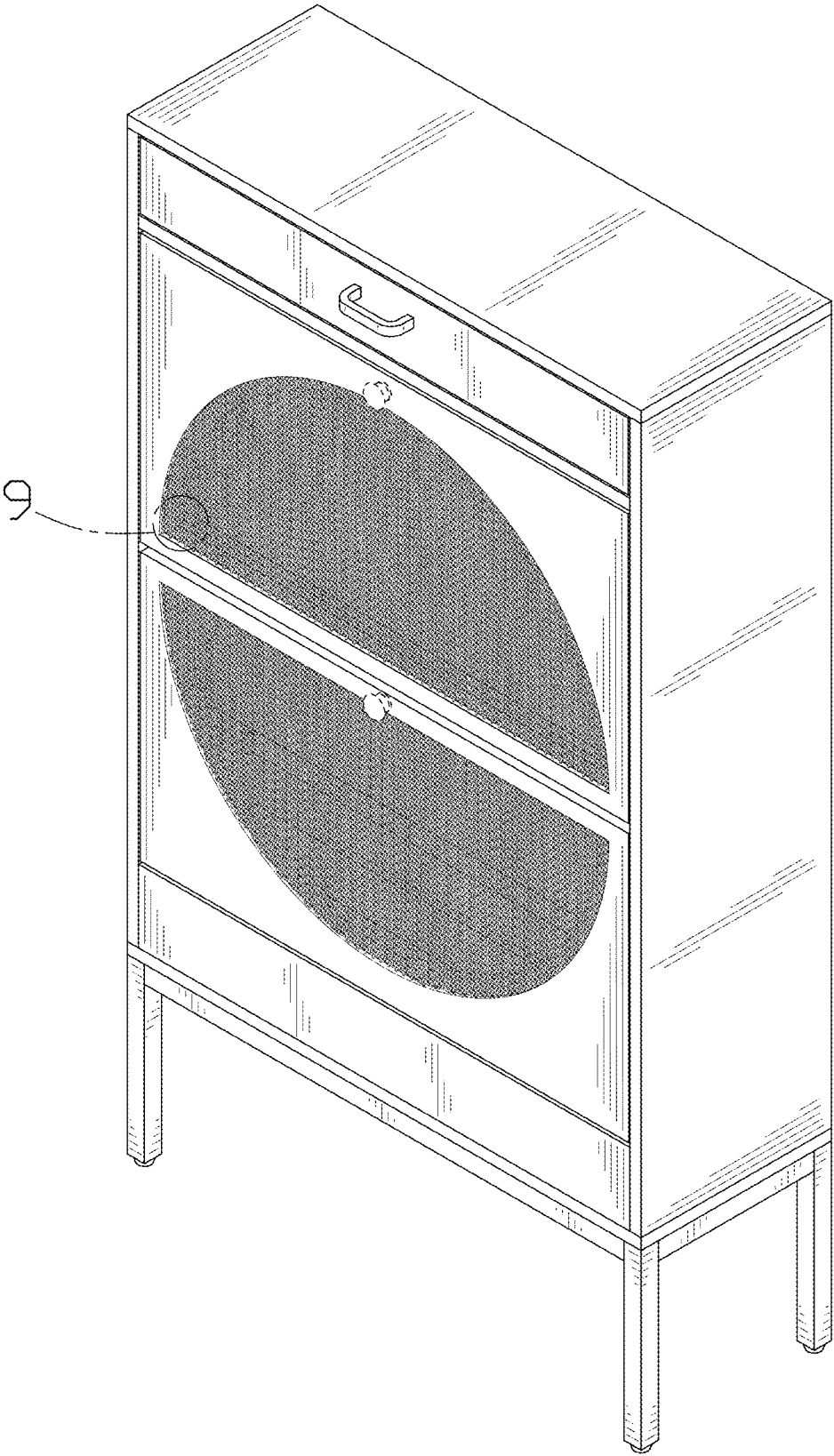


FIG. 1

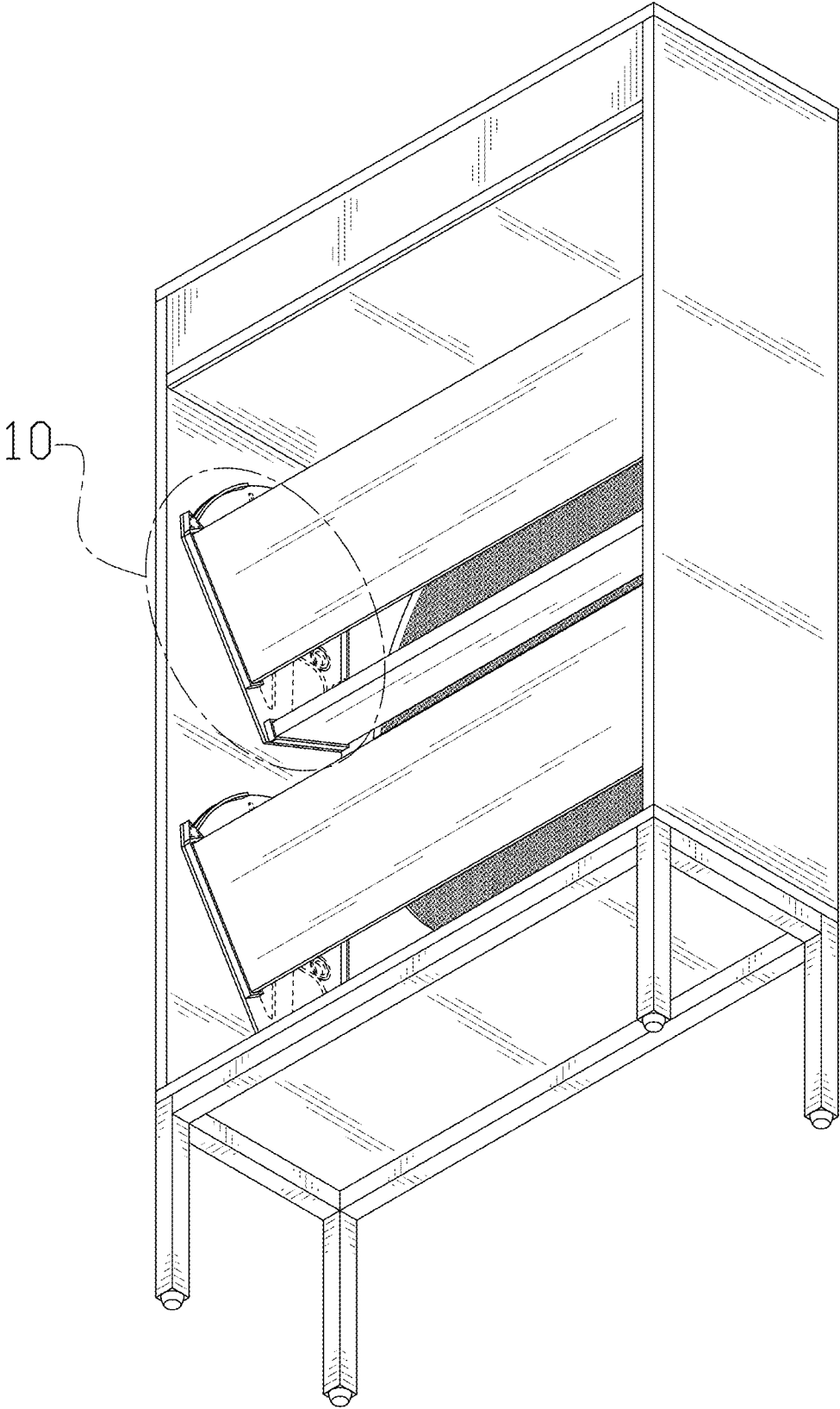


FIG. 2

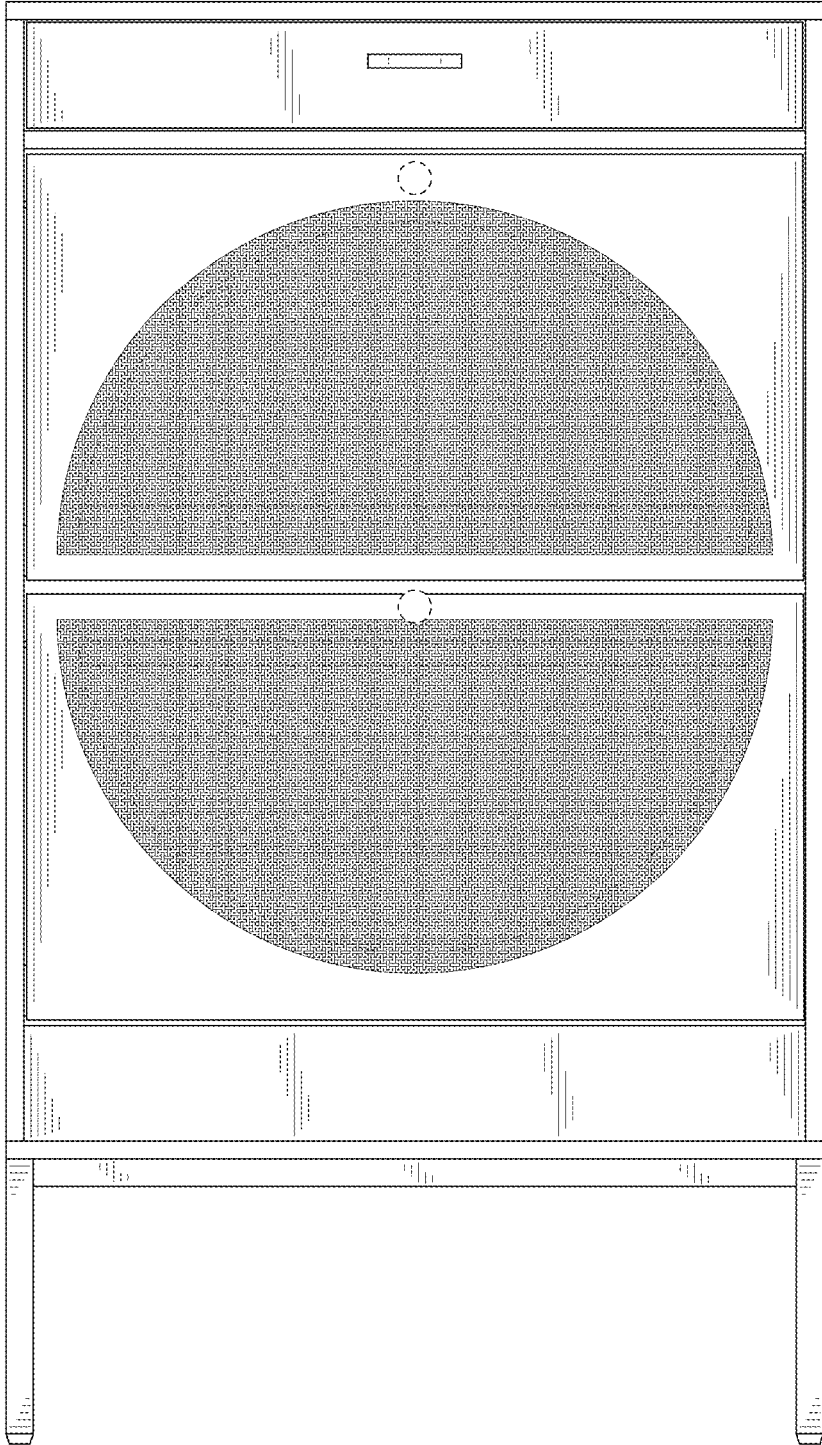


FIG. 3

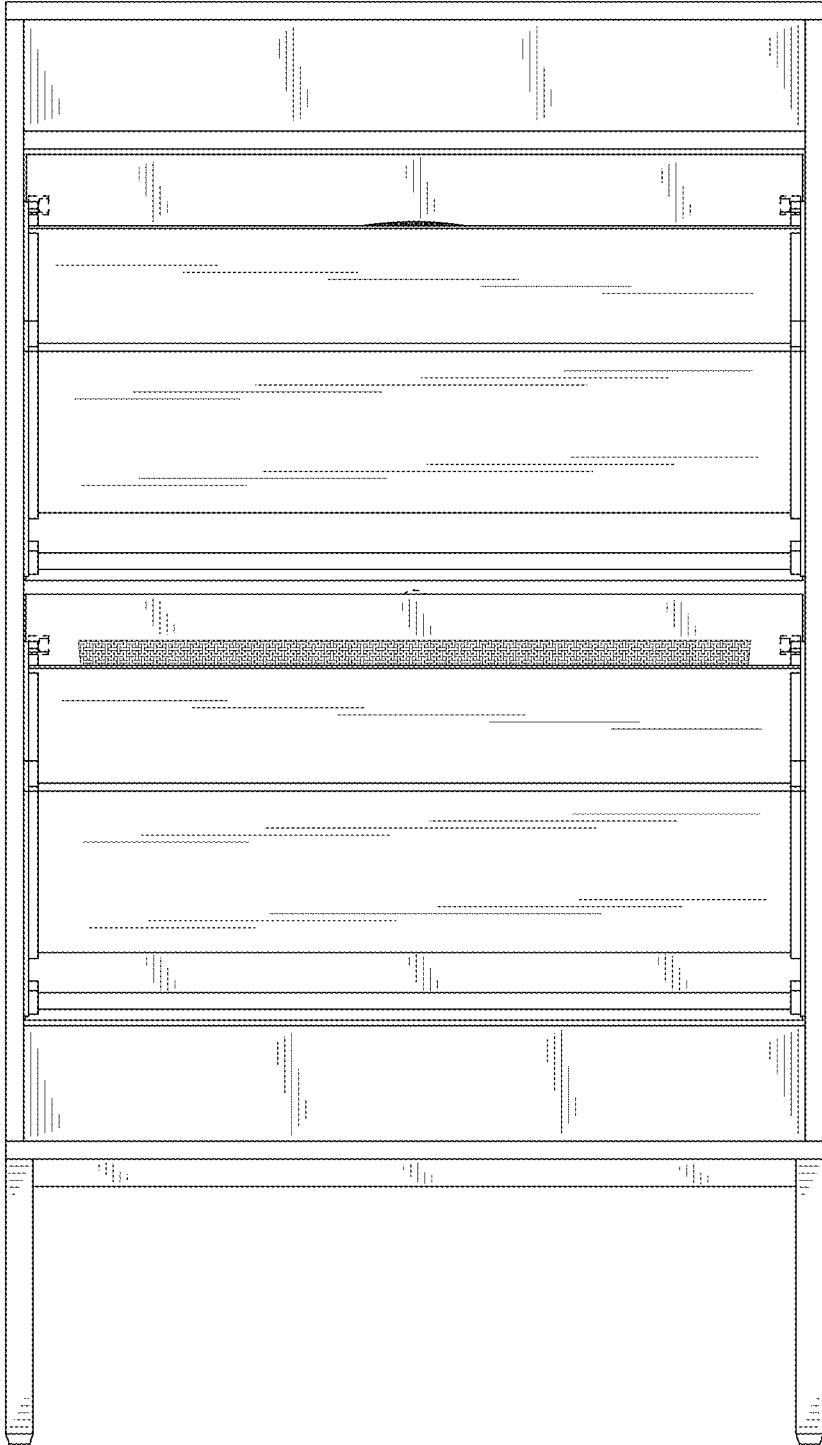


FIG. 4

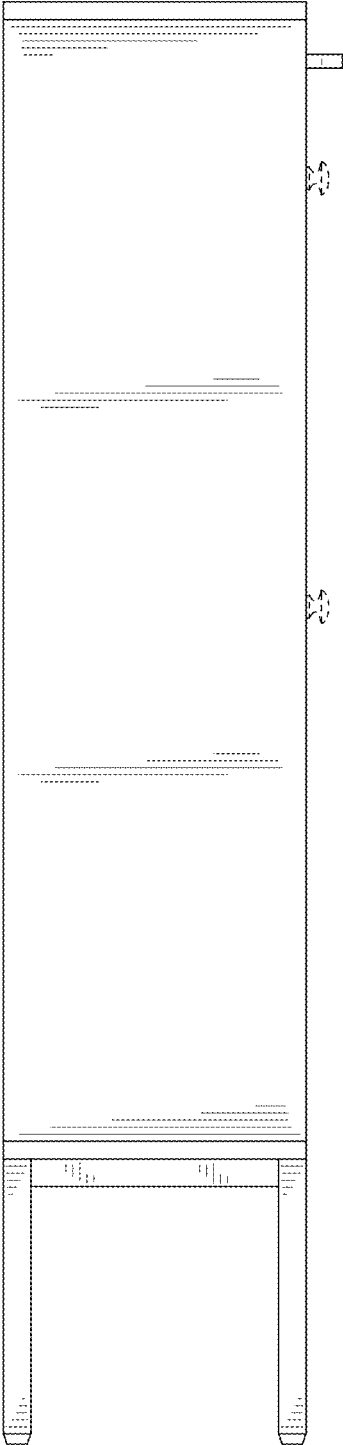


FIG. 5

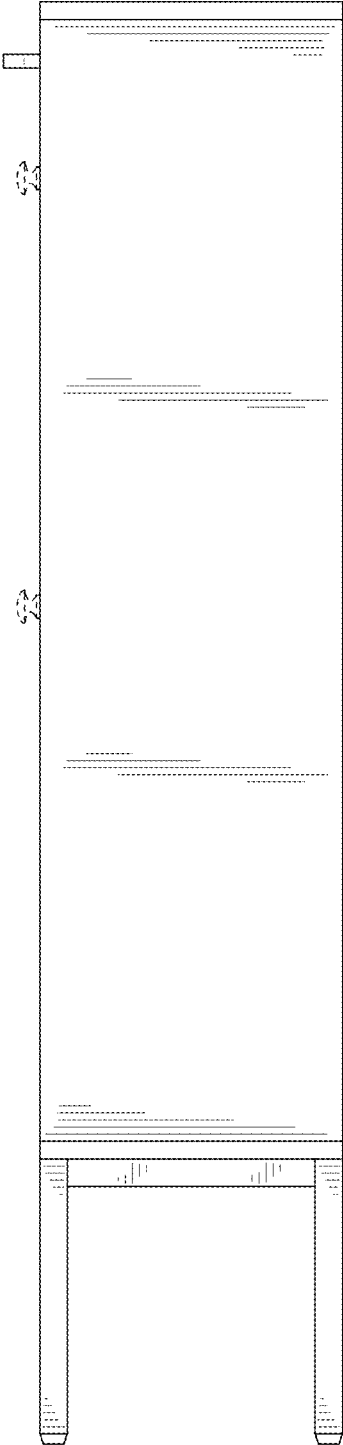


FIG. 6

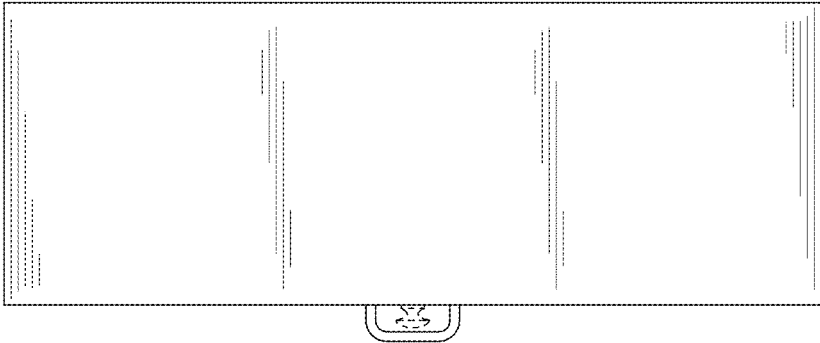


FIG. 7

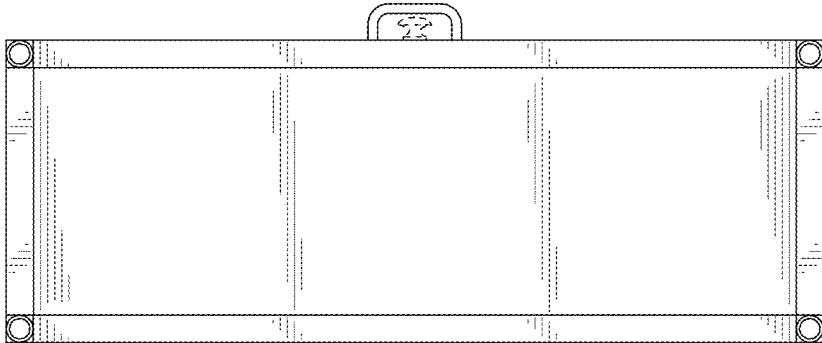


FIG. 8

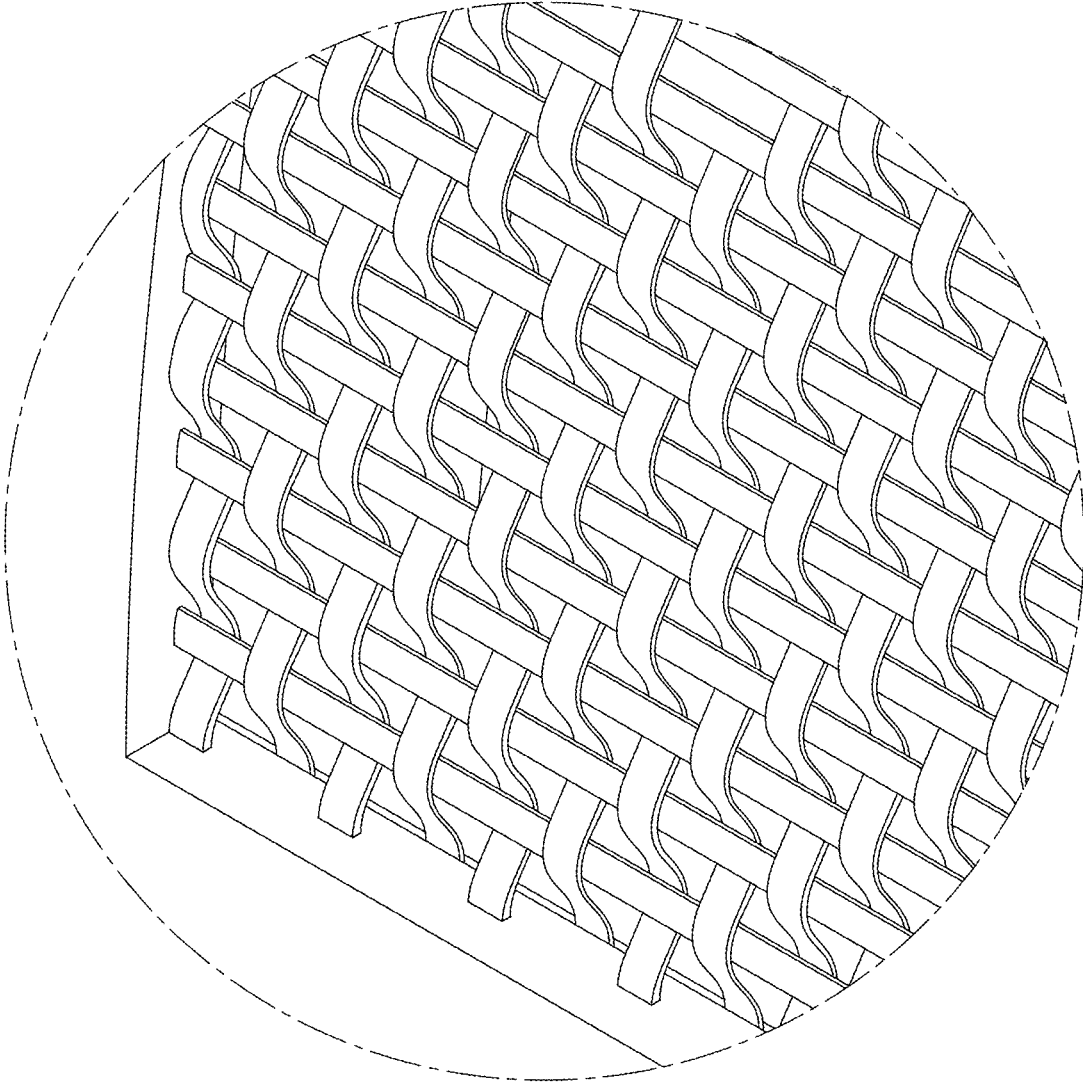


FIG. 9

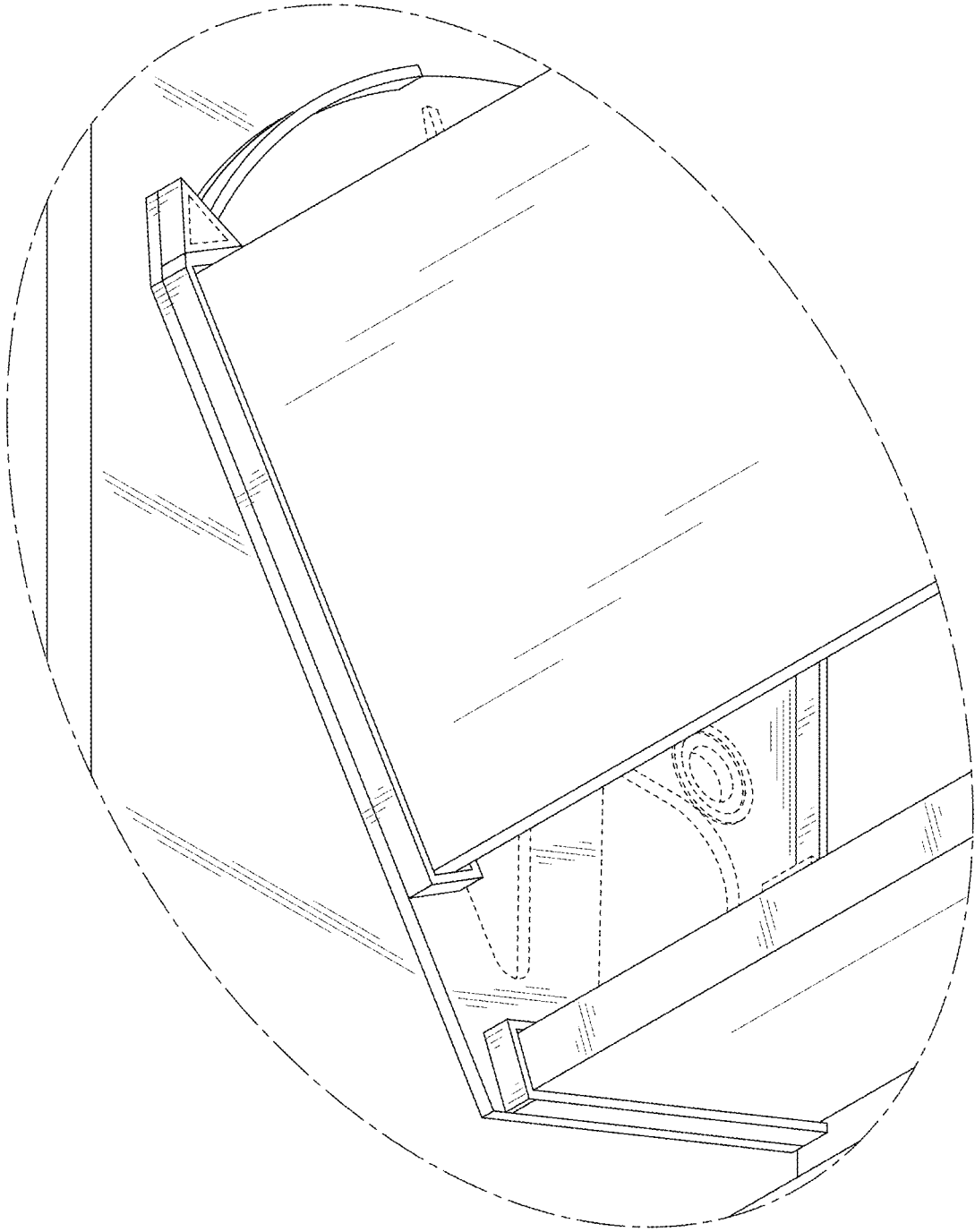


FIG. 10

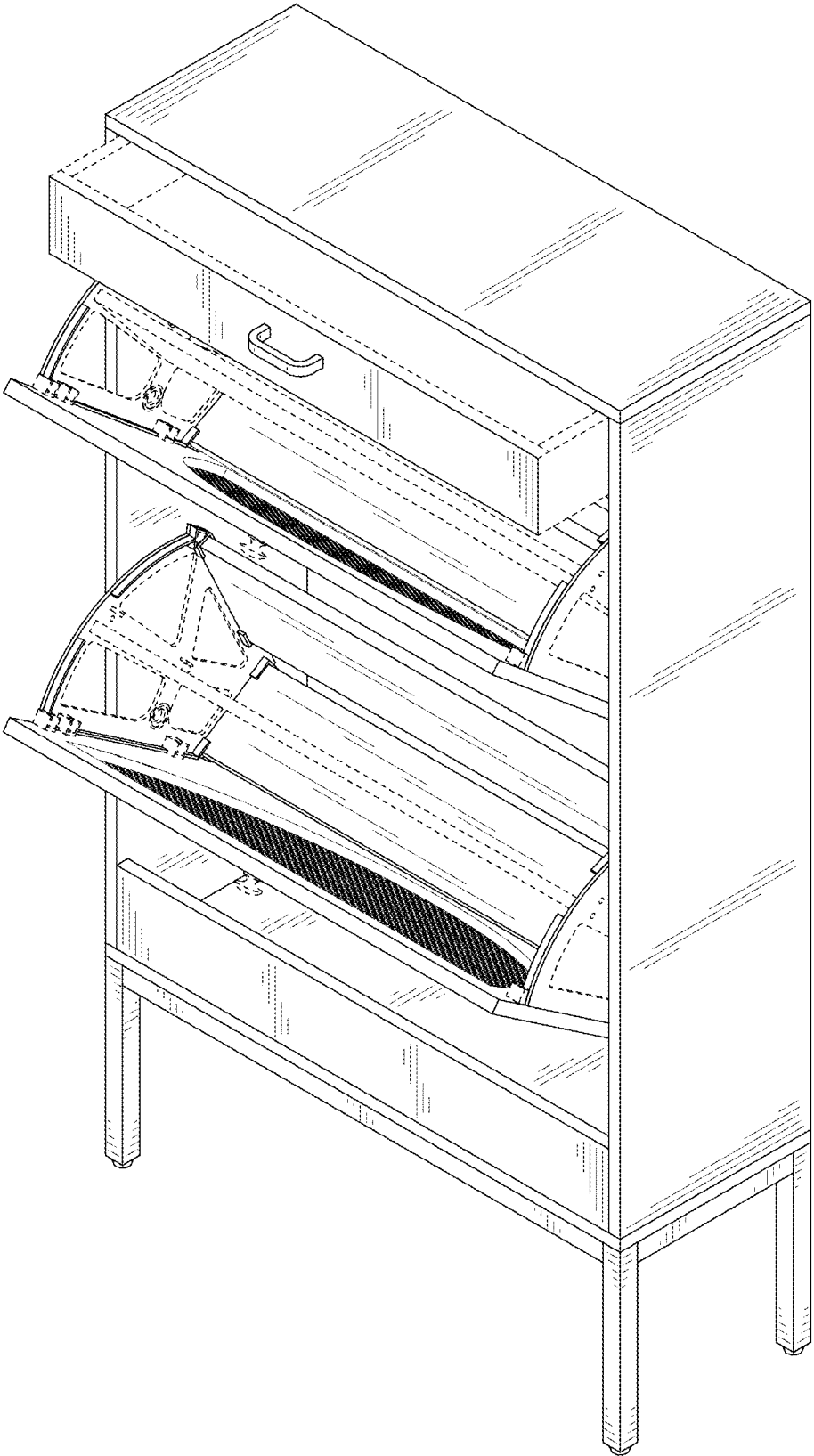


FIG. 11