



US00D847659S

(12) **United States Design Patent**  
**Suzuki**

(10) **Patent No.:** **US D847,659 S**

(45) **Date of Patent:** **\*\* May 7, 2019**

- (54) **LIQUID CONTAINER**
- (71) Applicant: **GC Corporation**, Shizuoka (JP)
- (72) Inventor: **Takumi Suzuki**, Tokyo (JP)
- (73) Assignee: **GC Corporation**, Shizuoka (JP)
- (\*\*) Term: **15 Years**
- (21) Appl. No.: **29/625,254**
- (22) Filed: **Nov. 8, 2017**

- D686,872 S 7/2013 Lane
- D748,477 S 2/2016 Herbst et al.
- D758,790 S 6/2016 Boroski
- D759,485 S 6/2016 Boroski et al.
- D775,951 S 1/2017 Wang
- D780,578 S 3/2017 Lane et al.
- D782,908 S 4/2017 Bentkovski
- D785,402 S 5/2017 Shirley et al.
- D794,453 S 8/2017 Boroski et al.
- D801,172 S 10/2017 Bentkovski
- D817,088 S 5/2018 Shirley
- D818,767 S 5/2018 Nezu

(Continued)

*Primary Examiner* — Derrick E Holland

*Assistant Examiner* — Janice Patyk

(74) *Attorney, Agent, or Firm* — IPUSA, PLLC

(30) **Foreign Application Priority Data**

May 29, 2017 (JP) ..... 2017-011444

(51) **LOC (11) Cl.** ..... **09-01**

(52) **U.S. Cl.** ..... **D9/724**

USPC ..... **D9/724**

(58) **Field of Classification Search**

USPC ..... D9/442, 695–699, 702–714, 723–729;  
D24/199; D28/7; 132/317, 318, 320;  
222/95, 207, 212, 335; D27/157, 160  
CPC ..... A45D 34/00; A45D 40/00; B65D 81/3272  
See application file for complete search history.

(56) **References Cited**

**U.S. PATENT DOCUMENTS**

- D208,047 S 7/1967 Brophy
- D223,804 S \* 6/1972 Kusek ..... D9/556
- D231,708 S \* 5/1974 Kenney ..... D27/160
- D263,795 S \* 4/1982 Pagels ..... D24/121
- D390,786 S \* 2/1998 Saunders ..... D9/551
- 6,116,477 A 9/2000 Kreiseder et al.
- D451,392 S 12/2001 Kitamura et al.
- D538,967 S \* 3/2007 Chuang ..... D27/143
- D609,964 S 2/2010 Lane
- D641,241 S 7/2011 Goto et al.
- D661,945 S 6/2012 Eyal
- D663,891 S \* 7/2012 Cohen Harel ..... D27/157
- D686,871 S 7/2013 Lane

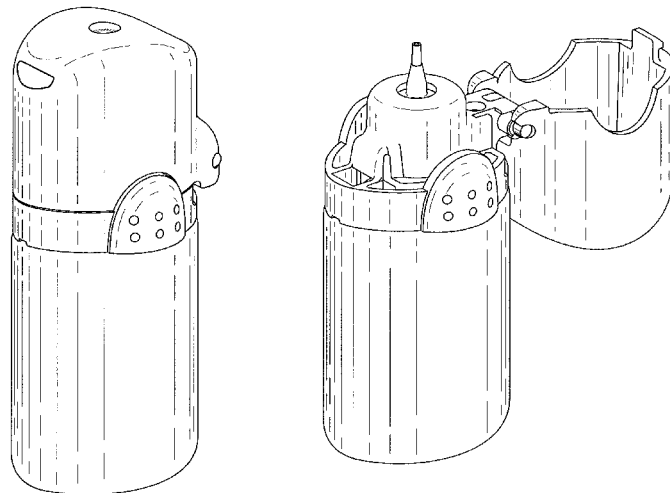
(57) **CLAIM**

The ornamental design for a liquid container, as shown and described.

**DESCRIPTION**

FIG. 1 is a perspective view of a liquid container, showing our new design;  
 FIG. 2 is a perspective view thereof, shown with the cap in opened condition;  
 FIG. 3 is an exploded perspective view thereof;  
 FIG. 4 is a front view thereof shown, with the cap in opened condition;  
 FIG. 5 is a front view thereof;  
 FIG. 6 is a rear view thereof;  
 FIG. 7 is a top plan view thereof;  
 FIG. 8 is a bottom view thereof;  
 FIG. 9 is a right side view thereof;  
 FIG. 10 is a left side view thereof; and,  
 FIG. 11 is an exploded cross-section view thereof, taken along the line 11-11 of FIG. 7.  
 The broken lines in the figures illustrate the portions of the design that form no part of the claimed design.

**1 Claim, 11 Drawing Sheets**



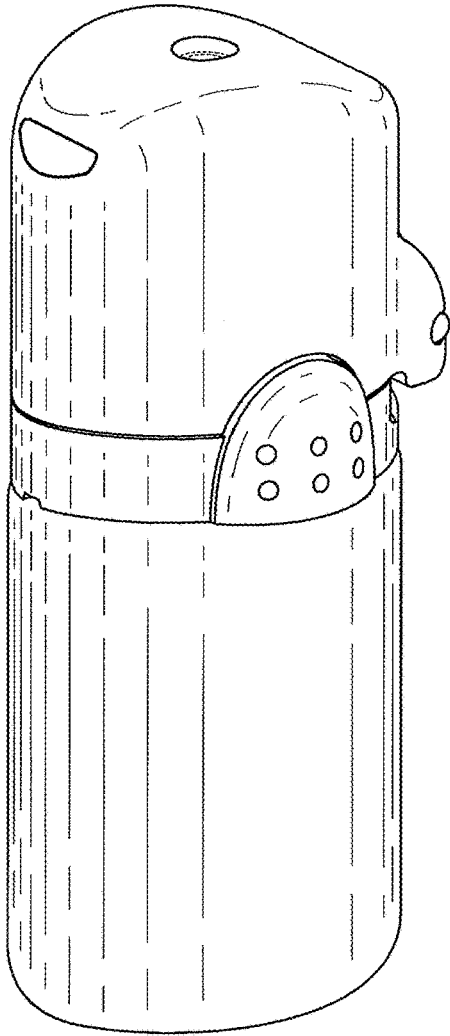
(56)

**References Cited**

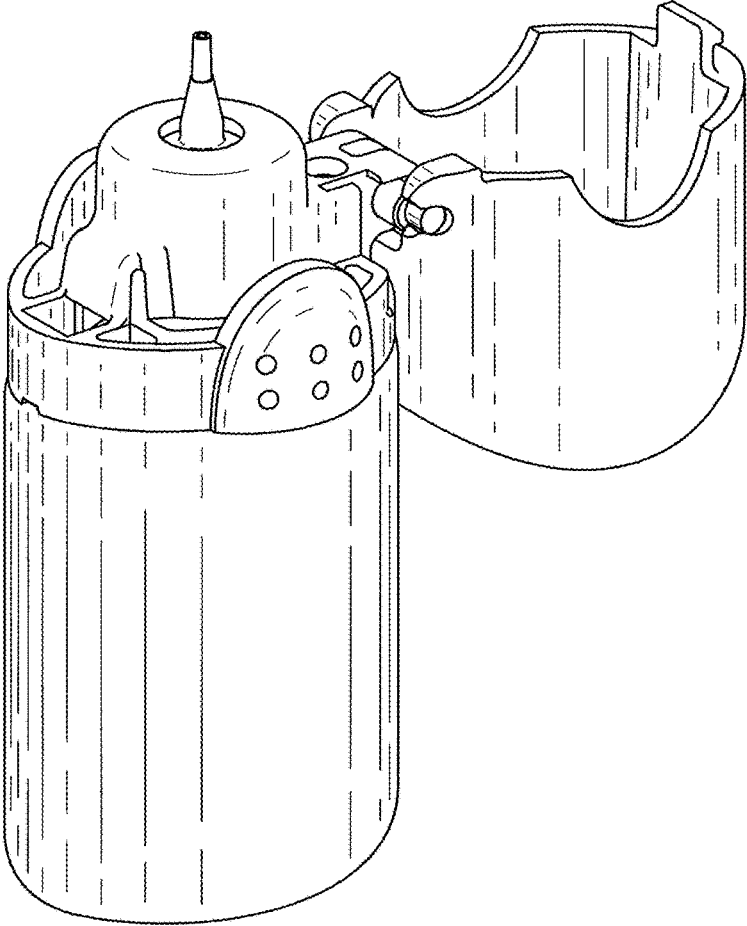
U.S. PATENT DOCUMENTS

D819,395 S	6/2018	Yu	
10,034,564 B2	7/2018	Sims	
D827,769 S	9/2018	Brill	
2002/0108965 A1	8/2002	Hill et al.	
2013/0189018 A1*	7/2013	Choi	..... A45D 34/042 401/269
2014/0197205 A1*	7/2014	Kim	..... B05B 11/3097 222/153.13

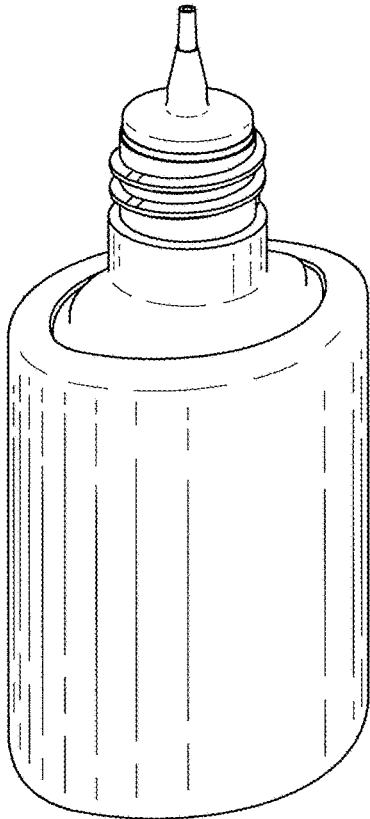
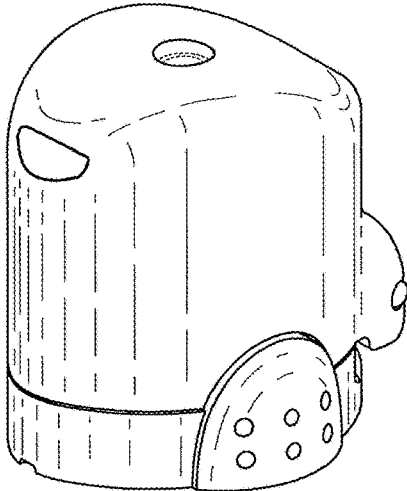
\* cited by examiner



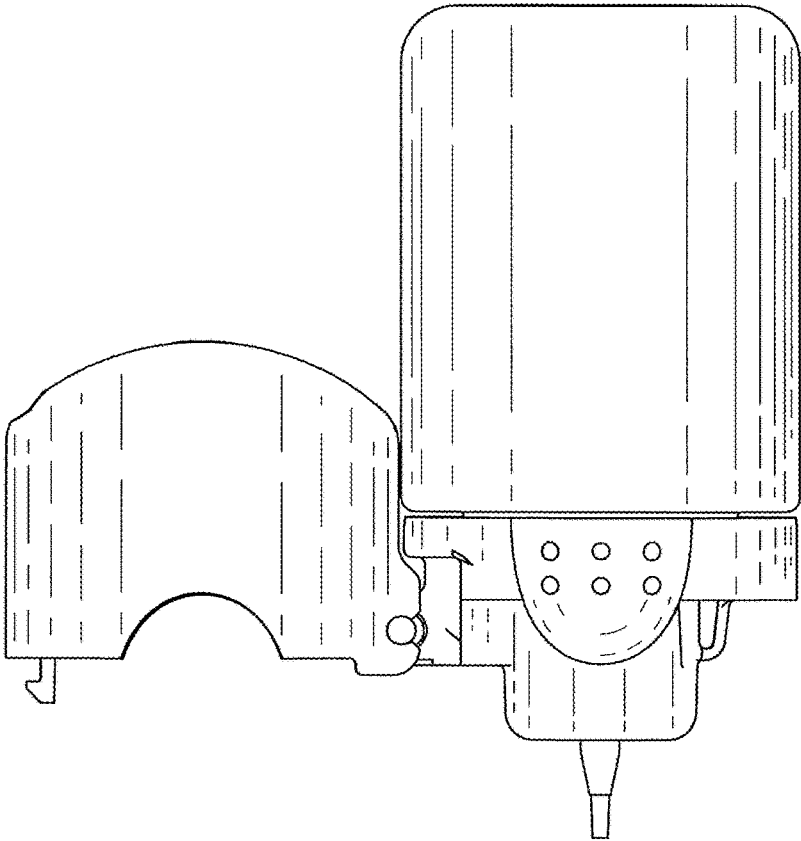
*Fig. 1*



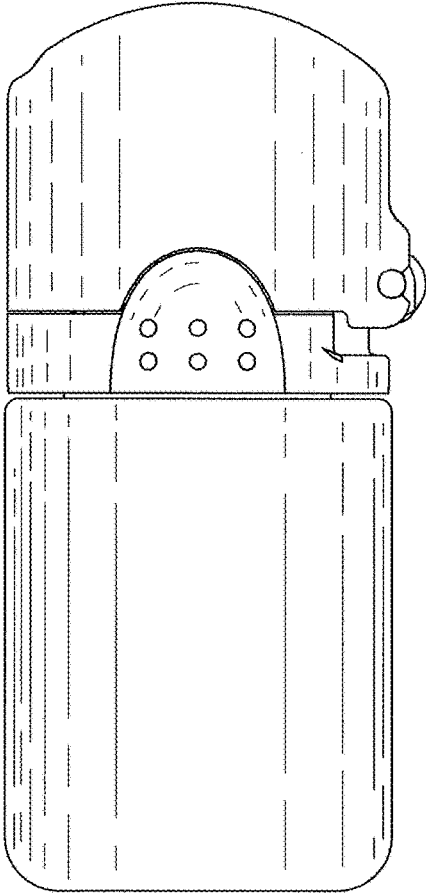
*Fig. 2*



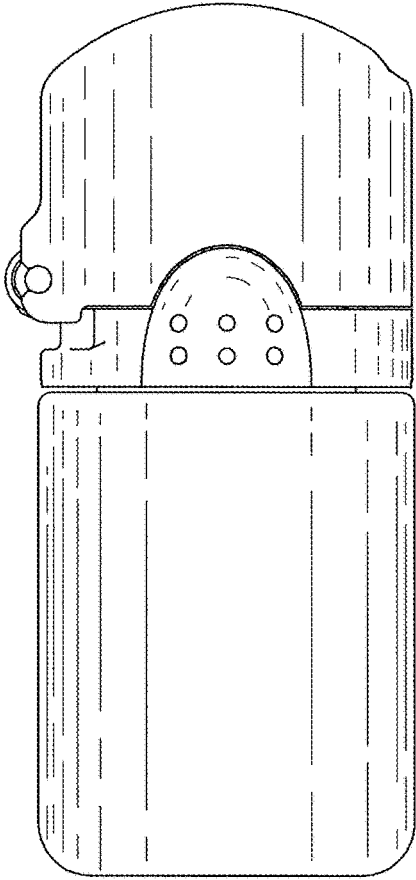
*Fig. 3*



*Fig. 4*

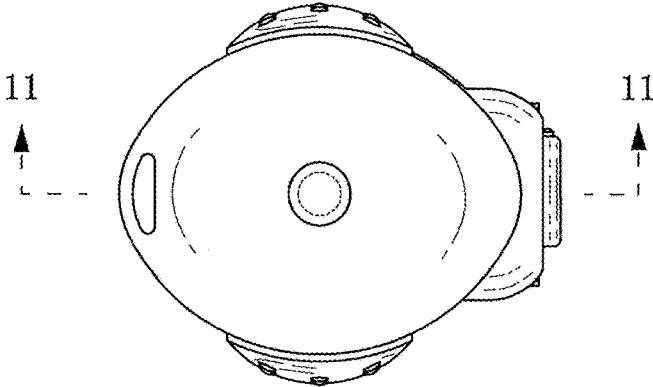


*Fig. 5*

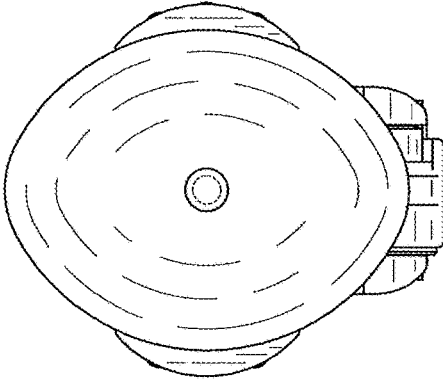


*Fig. 6*

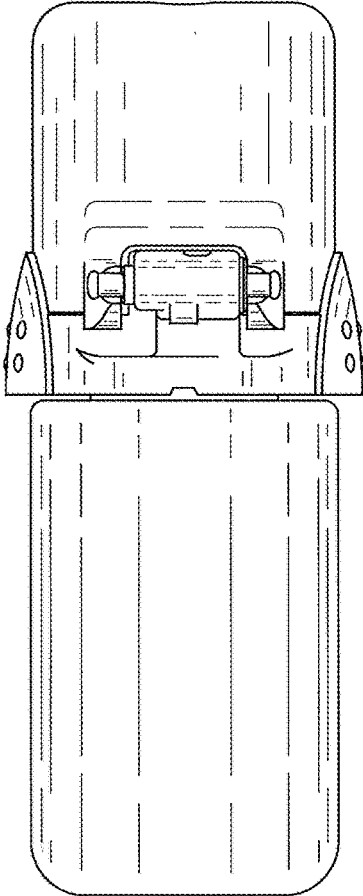




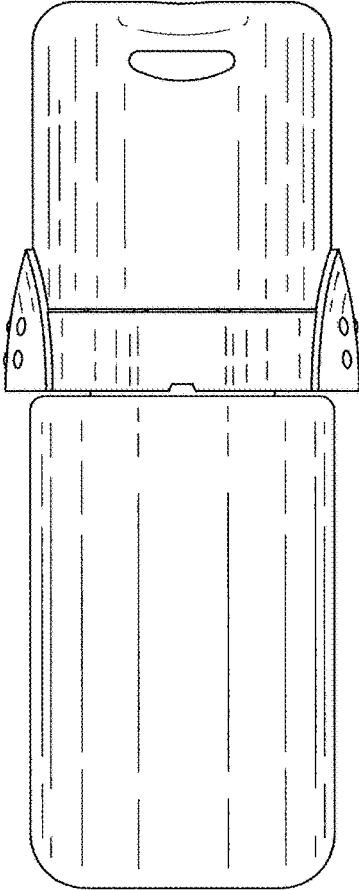
*Fig. 7*



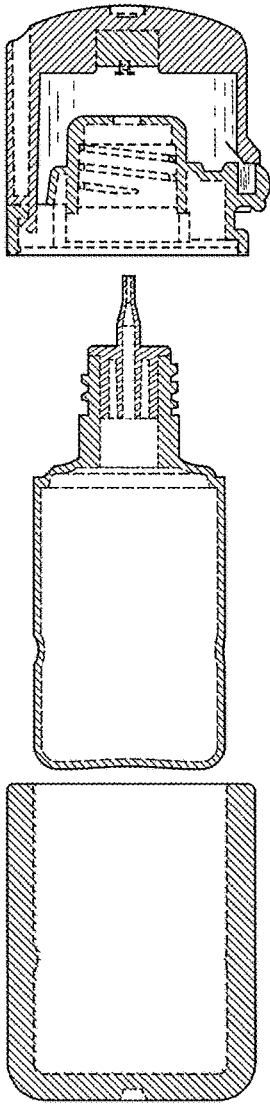
*Fig. 8*



*Fig. 9*



*Fig. 10*



*Fig. 11*