

United States Patent [19]

Bramble

[11] **Patent Number: Des. 313,084**

[45] **Date of Patent: ** Dec. 18, 1990**

- [54] **FLASHLIGHT END CAP**
[75] **Inventor: Richard A. Bramble, Encinitas, Calif.**
[73] **Assignee: Barrel Service Company, San Marcos, Calif.**
[**] **Term: 14 Years**
[21] **Appl. No.: 123,977**
[22] **Filed: Nov. 23, 1987**
[52] **U.S. Cl. D26/113**
[58] **Field of Search D26/37-50, D26/113; 362/157-158, 183-208**

[56] **References Cited**

U.S. PATENT DOCUMENTS

- D. 105,721 8/1937 Westfall D26/113
D. 136,756 11/1943 Barash D26/37

- D. 233,469 10/1974 Moore D26/49
2,882,388 4/1959 Garland 362/191
4,740,874 4/1988 Wylie et al. 362/190

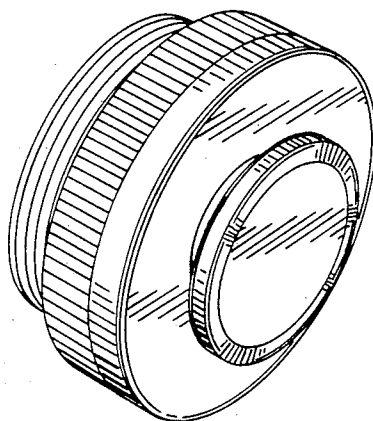
Primary Examiner—Susan J. Lucas
Assistant Examiner—M. H. Tung
Attorney, Agent, or Firm—Gregory O. Garmong

[57] **CLAIM**

The ornamental design for a flashlight end cap, as shown and described.

DESCRIPTION

FIG. 1 is a perspective view of a flashlight end cap showing my new design;
FIG. 2 is a side elevational view thereof, all sides being identical;
FIG. 3 is a front elevational view thereof; and
FIG. 4 is a rear elevational view thereof.



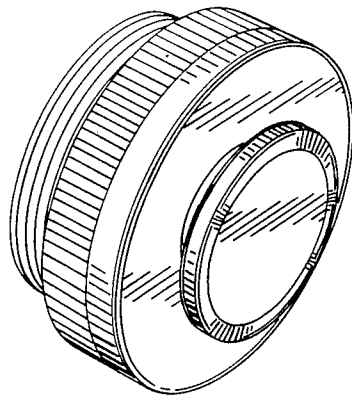


FIG. 1

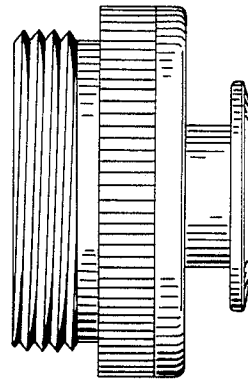


FIG. 2

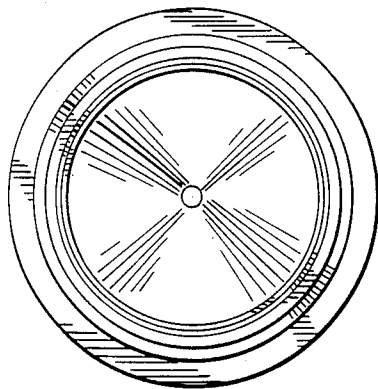


FIG. 3

FIG. 4

