



US00D837832S

(12) **United States Design Patent**  
**Sofussen**

(10) **Patent No.:** **US D837,832 S**

(45) **Date of Patent:** **\*\* Jan. 8, 2019**

(54) **HOUSING**

(71) Applicant: **GRUNDFOS HOLDING A/S,**  
Bjerringbro (DK)

(72) Inventor: **Morten Sofussen,** Aarhus C (DK)

(73) Assignee: **GRUNDFOS HOLDING A/S,**  
Bjerringbro (DK)

(\*\*) Term: **15 Years**

(21) Appl. No.: **29/561,208**

(22) Filed: **Apr. 14, 2016**

(30) **Foreign Application Priority Data**

Oct. 15, 2015 (EM) ..... 002824201

(51) **LOC (11) Cl.** ..... **15-02**

(52) **U.S. Cl.**  
USPC ..... **D15/7**

(58) **Field of Classification Search**

USPC ..... D15/7-9; D23/231, 232, 225; 417/60,  
417/235, 265, 321, 355, 358, 363, 359,  
417/410.1, 415-416, 405, 900, 269, 539;  
60/408, 412; 184/26-37; 415/140-147;  
123/495, 509; 137/565.34  
CPC ..... F02M 37/04; F02M 37/14; F04B 53/92;  
F04B 1/005

See application file for complete search history.

(56) **References Cited**

**U.S. PATENT DOCUMENTS**

D327,075 S \* 6/1992 Tiedemann ..... D15/7  
D327,272 S \* 6/1992 Cadotte ..... D15/7  
D327,273 S \* 6/1992 Cadotte ..... D15/7  
D405,096 S \* 2/1999 Dudeck ..... D15/7  
D447,148 S \* 8/2001 Antony ..... D15/7  
D536,705 S \* 2/2007 Griffin ..... D15/7  
D557,708 S \* 12/2007 Carpenter ..... D15/7  
D617,347 S \* 6/2010 Plunk ..... D15/9

D698,369 S \* 1/2014 Meza ..... D15/7  
D704,748 S \* 5/2014 Beers ..... D15/7  
D707,719 S \* 6/2014 Kamijyo ..... D15/7

(Continued)

**FOREIGN PATENT DOCUMENTS**

JP D1479357 S 9/2013

*Primary Examiner* — Ralf Seifert

(74) *Attorney, Agent, or Firm* — McGlew and Tuttle, P.C.

(57) **CLAIM**

The ornamental design for a housing, as shown and described.

**DESCRIPTION**

The patent or application file contains at least one drawing executed in color. Copies of this patent or patent application publication with color drawings will be provided by the Office upon request and payment of the necessary fee.

FIG. 1 is a perspective view of a housing showing my new design;

FIG. 2 is a front view of the design of FIG. 1;

FIG. 3 is a rear view of the design of FIG. 1;

FIG. 4 is a right side view of the design of FIG. 1;

FIG. 5 is a left side view of the design of FIG. 1;

FIG. 6 is a top view of the design of FIG. 1;

FIG. 7 is a bottom view of the design of FIG. 1;

FIG. 8 is a perspective view of a housing showing the second embodiment of my new design;

FIG. 9 is a front view of the design of FIG. 8;

FIG. 10 is a rear view of the design of FIG. 8;

FIG. 11 is a right side view of the design of FIG. 8;

FIG. 12 is a left side view of the design of FIG. 8;

FIG. 13 is a top view of the design of FIG. 8; and

FIG. 14 is a bottom view of the design of FIG. 8.

The broken lines shown in the figures form no part of the claimed design.

**1 Claim, 14 Drawing Sheets**  
**(14 of 14 Drawing Sheet(s) Filed in Color)**



(56)

**References Cited**

U.S. PATENT DOCUMENTS

D713,860 S \* 9/2014 Pedrollo ..... D15/7  
9,593,692 B2 \* 3/2017 Smith ..... F04D 29/4286

\* cited by examiner



Fig. 1



Fig. 2



Fig. 3



Fig. 4



Fig. 5

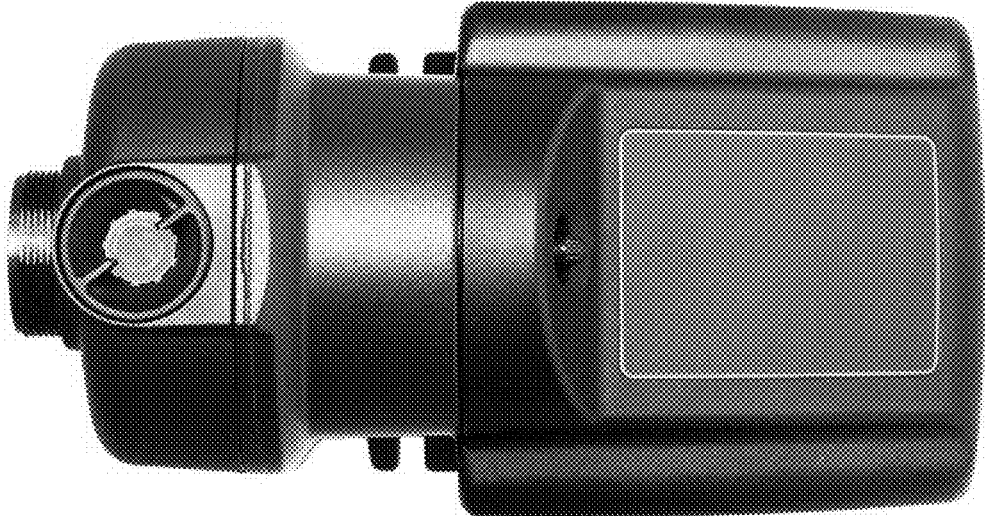


Fig. 6



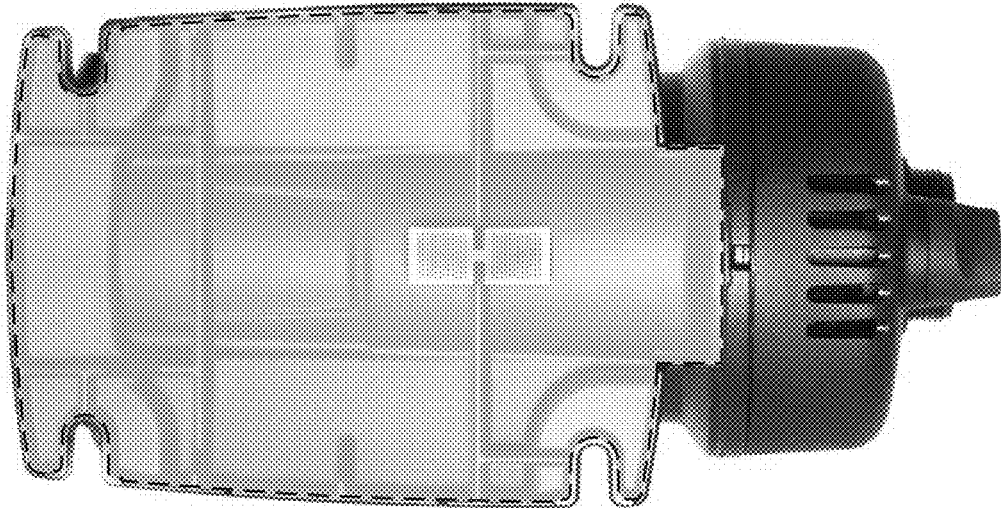


Fig. 7



Fig. 8



Fig. 9



Fig. 10

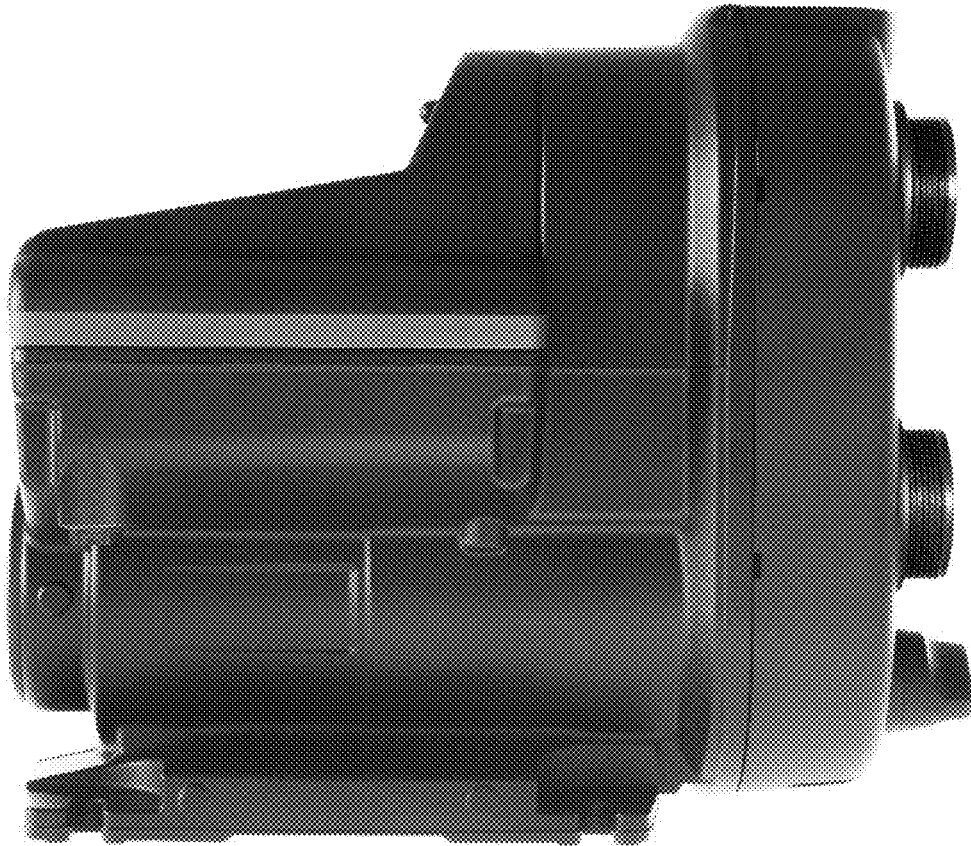


Fig. 11

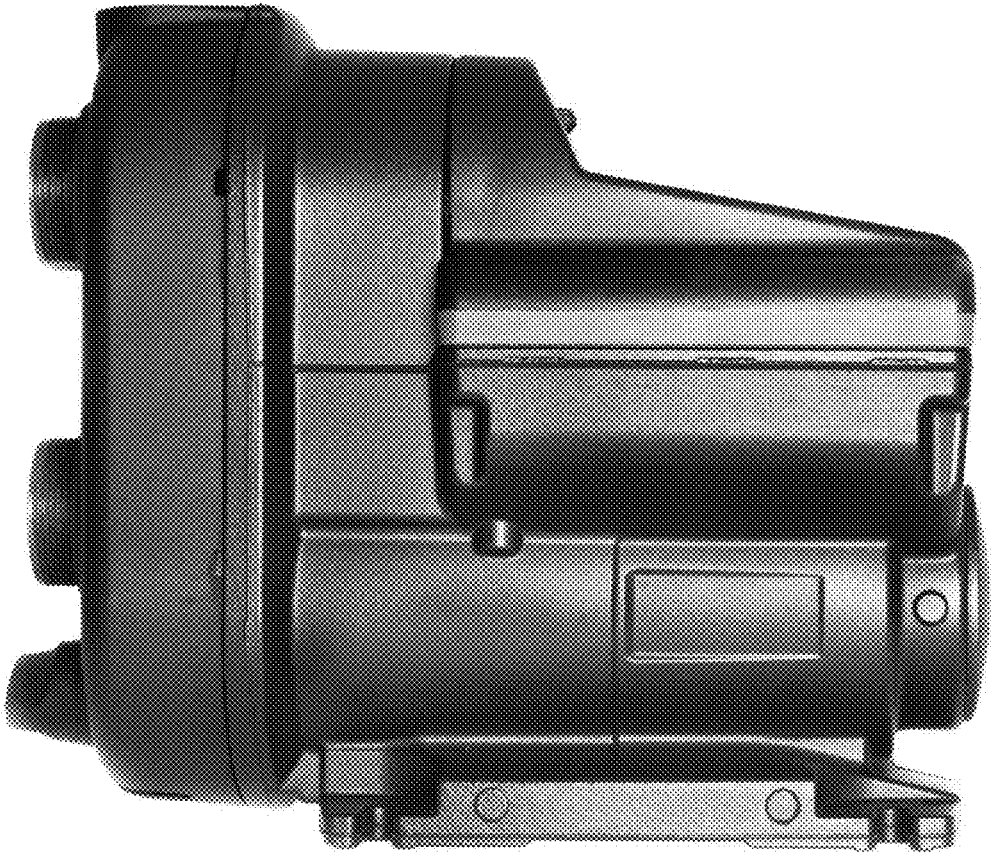


Fig. 12

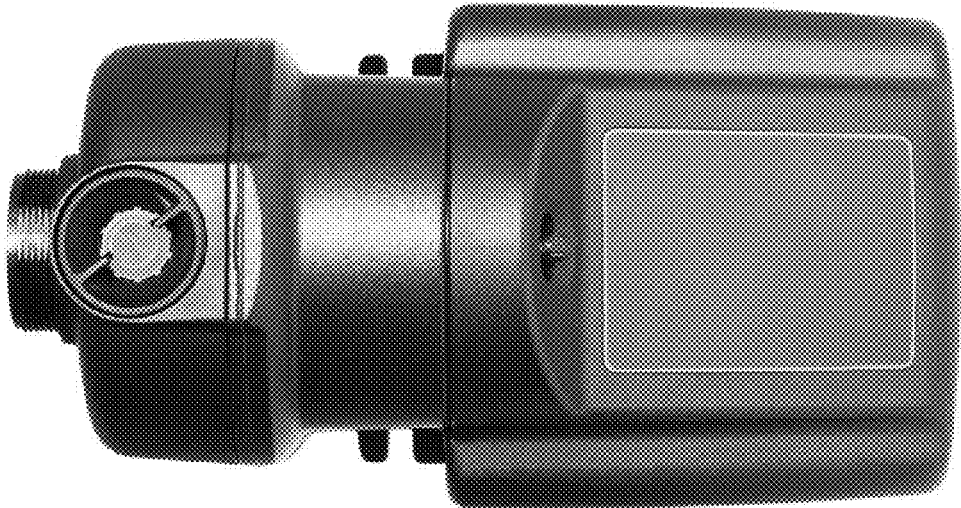


Fig. 13

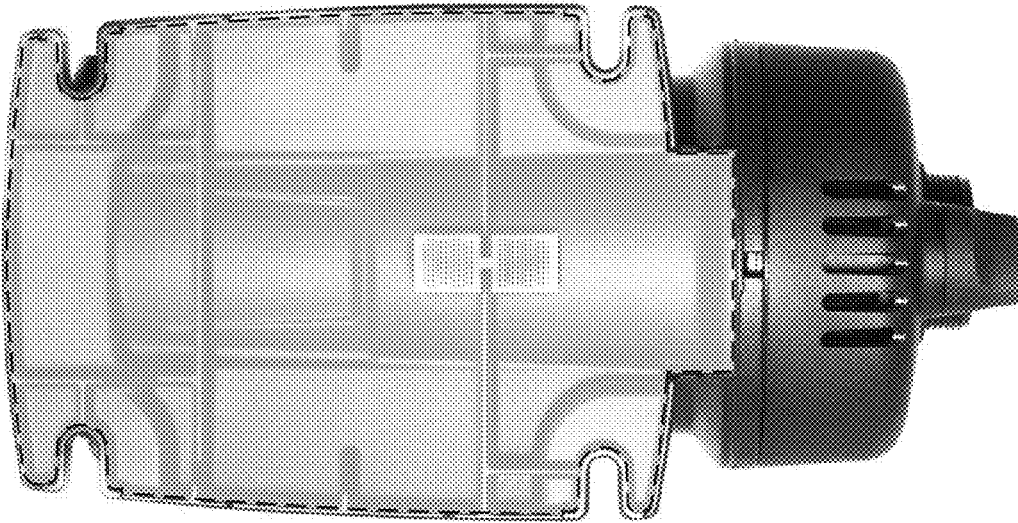


Fig. 14