



US00D970933S

(12) **United States Design Patent** (10) **Patent No.:** **US D970,933 S**
Wilson, IV et al. (45) **Date of Patent:** **** Nov. 29, 2022**

(54) **DISPLAY STAND**

https://www.amazon.com/dp/B07H592JX6/ref-cm_sw_em_r_mt_dp_XVijFb2DPB8P7.

(71) Applicant: **Idea Vault Holdings, Inc.**, Ashland, OR (US)

(Continued)

(72) Inventors: **Howard Allen Wilson, IV**, Medford, OR (US); **Lauren Elizabeth Wuscher**, Ashland, OR (US); **Jonathan David Willing**, Ashland, OR (US)

Primary Examiner — Kelley A Donnelly
(74) *Attorney, Agent, or Firm* — Salpi Dunlap

(73) Assignee: **Idea Vault Holdings, Inc.**, Ashland, OR (US)

(57) **CLAIM**

We claim the ornamental design for display stand, as shown and described.

(**) Term: **15 Years**

(21) Appl. No.: **29/743,099**

DESCRIPTION

(22) Filed: **Jul. 17, 2020**

(51) **LOC (13) Cl.** **06-06**

(52) **U.S. Cl.**
USPC **D6/675.4**

(58) **Field of Classification Search**
USPC D6/641, 642, 672, 673, 675, 675.4, 682, D6/702, 705, 512, 682.1, 705.1; D7/550.1, 552.2, 553.2, 311, 600.1, 601, D7/602, 213
CPC .. A47F 5/00; A47F 5/0081; A47F 7/00; A47F 7/0071; A47B 23/00; A47J 31/44; A47J 31/441; A47J 47/00; A47J 47/20

See application file for complete search history.

FIG. 1 is a top perspective view of a first embodiment of a display stand;
FIG. 2 is a bottom perspective view of FIG. 1;
FIG. 3 is a top plan view of FIG. 1;
FIG. 4 is a bottom plan view of FIG. 1;
FIG. 5 is back plan view of FIG. 1;
FIG. 6 is a front plan view of FIG. 1;
FIG. 7 is a right plan view of FIG. 1; the opposing side being a mirror image.
FIG. 8 is a front perspective view of FIG. 1.
FIG. 9 is a front perspective view thereof shown with environment;
FIG. 10 is a top perspective view of a second embodiment of a display stand;
FIG. 11 is a bottom perspective view of FIG. 10;
FIG. 12 is a top plan view of FIG. 10;
FIG. 13 is a bottom plan view of FIG. 10;
FIG. 14 is back plan view of FIG. 10;
FIG. 15 is a front plan view of FIG. 10;
FIG. 16 is a right plan view of FIG. 10; the opposing side being a mirror image.
FIG. 17 is a front perspective view of FIG. 10; and,
FIG. 18 is a front perspective view thereof shown with environment.
The broken lines are shown for illustrative purposes only and form no part of the claimed design.

(56) **References Cited**

U.S. PATENT DOCUMENTS

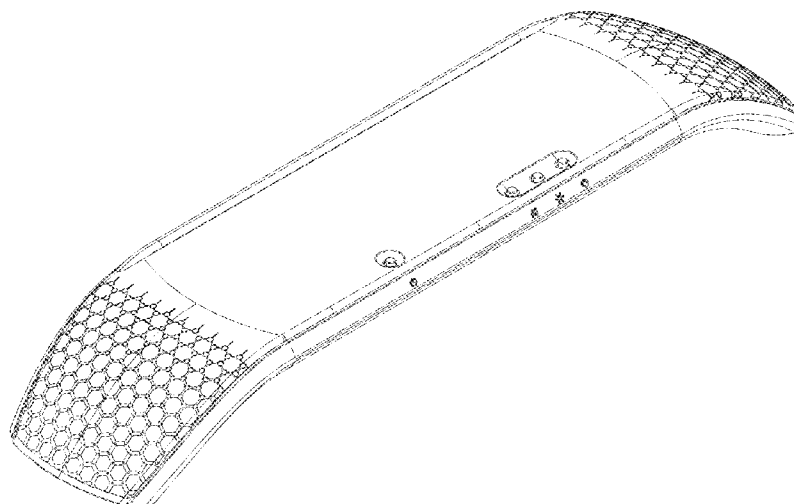
| | | | | | | |
|----------|---|---|---------|----------|-------|------------|
| D221,072 | S | * | 7/1971 | Arenhold | | D6/349 |
| D293,493 | S | * | 12/1987 | Garr | | D6/675 |
| D347,533 | S | * | 6/1994 | Lambert | | D24/190 |
| D589,721 | S | * | 4/2009 | Chang | | D6/655.21 |
| D789,703 | S | * | 6/2017 | Qiao | | A47C 7/624 |
| | | | | | | D6/406.3 |

(Continued)

OTHER PUBLICATIONS

Dan&Darci Premium Remote Controlled Light-up Crystal Growing Kit Clock, Amazon.com printout retrieved on Jul. 31, 2020 from

1 Claim, 18 Drawing Sheets



(56)

References Cited

U.S. PATENT DOCUMENTS

| | | | | | | |
|----------|---|---|---------|------------|-------|---------|
| D802,311 | S | * | 11/2017 | Stricklin | | D6/349 |
| D836,930 | S | * | 1/2019 | Levine | | D6/349 |
| D895,311 | S | * | 9/2020 | Kimmel | | D6/349 |
| D895,631 | S | * | 9/2020 | Kanter | | D14/451 |
| D931,002 | S | * | 9/2021 | Lee | | D6/381 |
| D932,813 | S | * | 10/2021 | Sabounjian | | D6/675 |
| D941,618 | S | * | 1/2022 | Zhang | | D6/672 |

OTHER PUBLICATIONS

Dan&Darci Crystal Growing Kit for Kids + LIGHT-UP Stand,
Amazon.com printout retrieved on Jul. 31, 2020 from https://www.amazon.com/dp/B07FB2VN8L/ref=cm_sw_em_r_mt_dp_sfjjFbMH7SMNY.

* cited by examiner

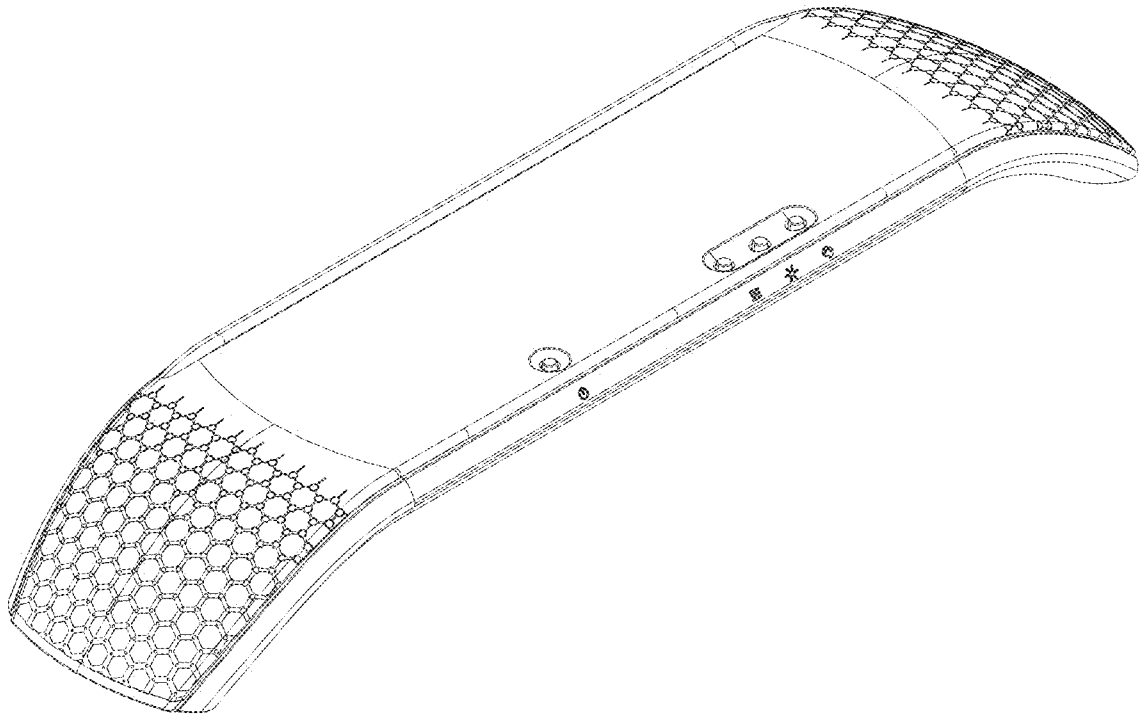


Fig. 1

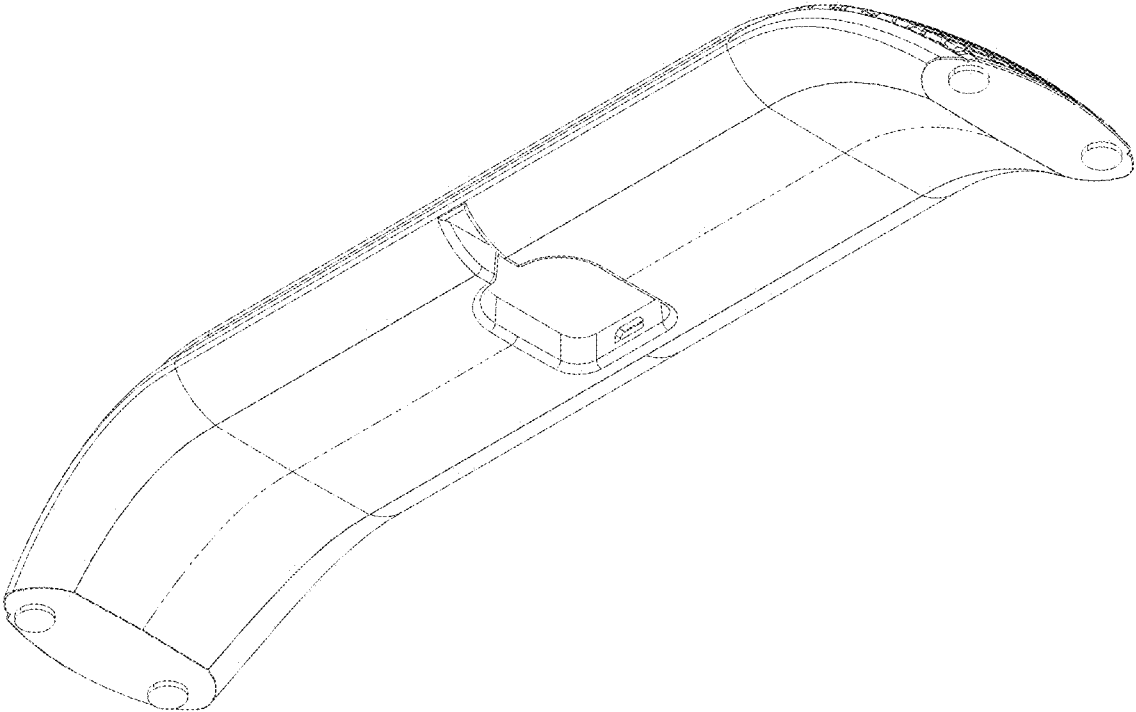


Fig. 2

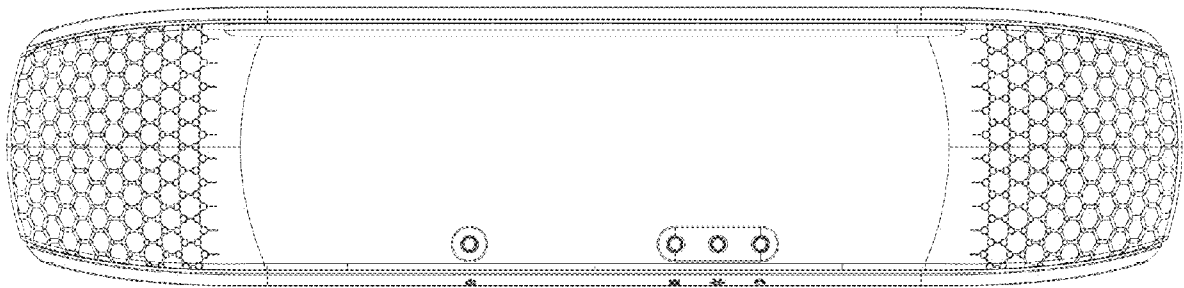


Fig. 3

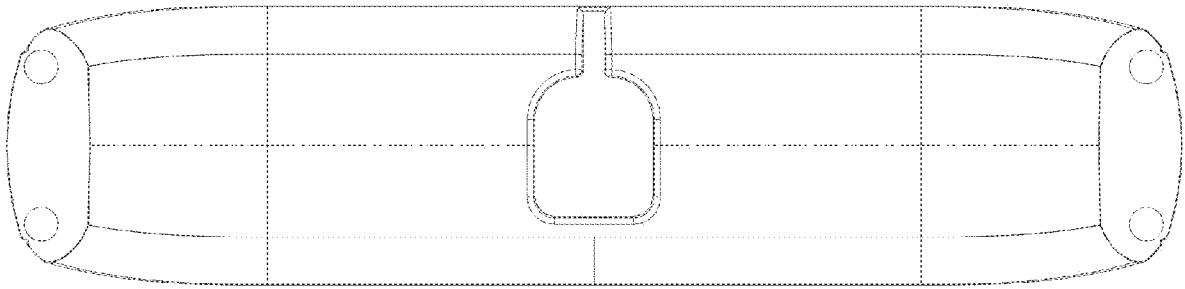


Fig. 4

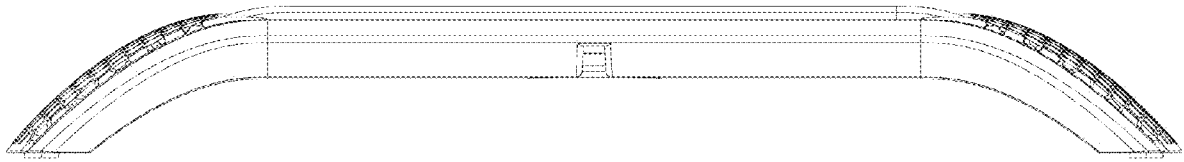


Fig. 5

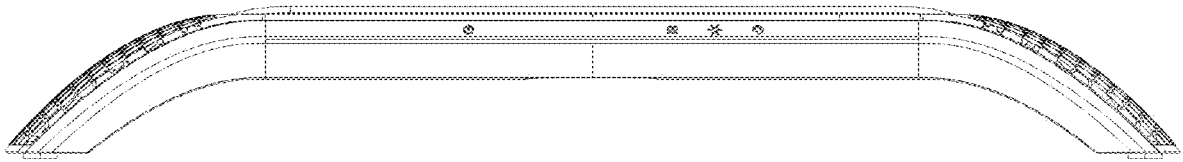


Fig. 6

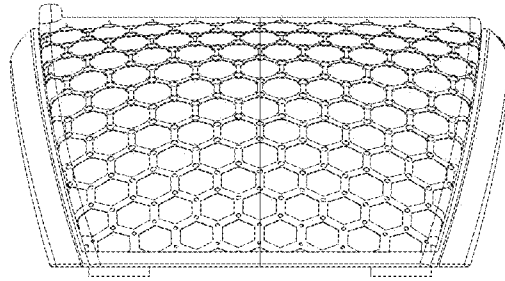


Fig. 7

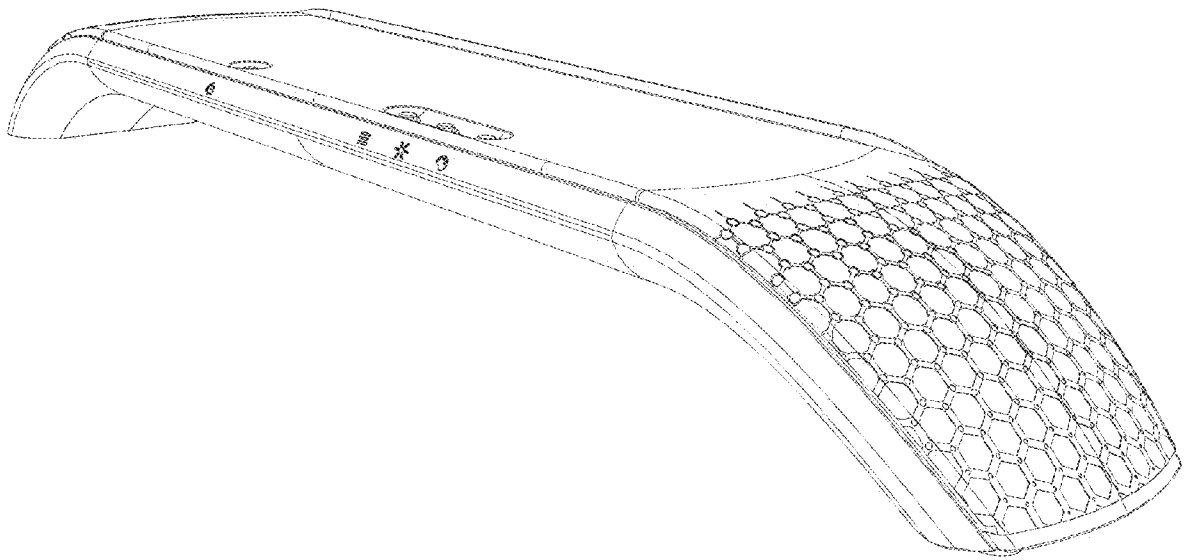
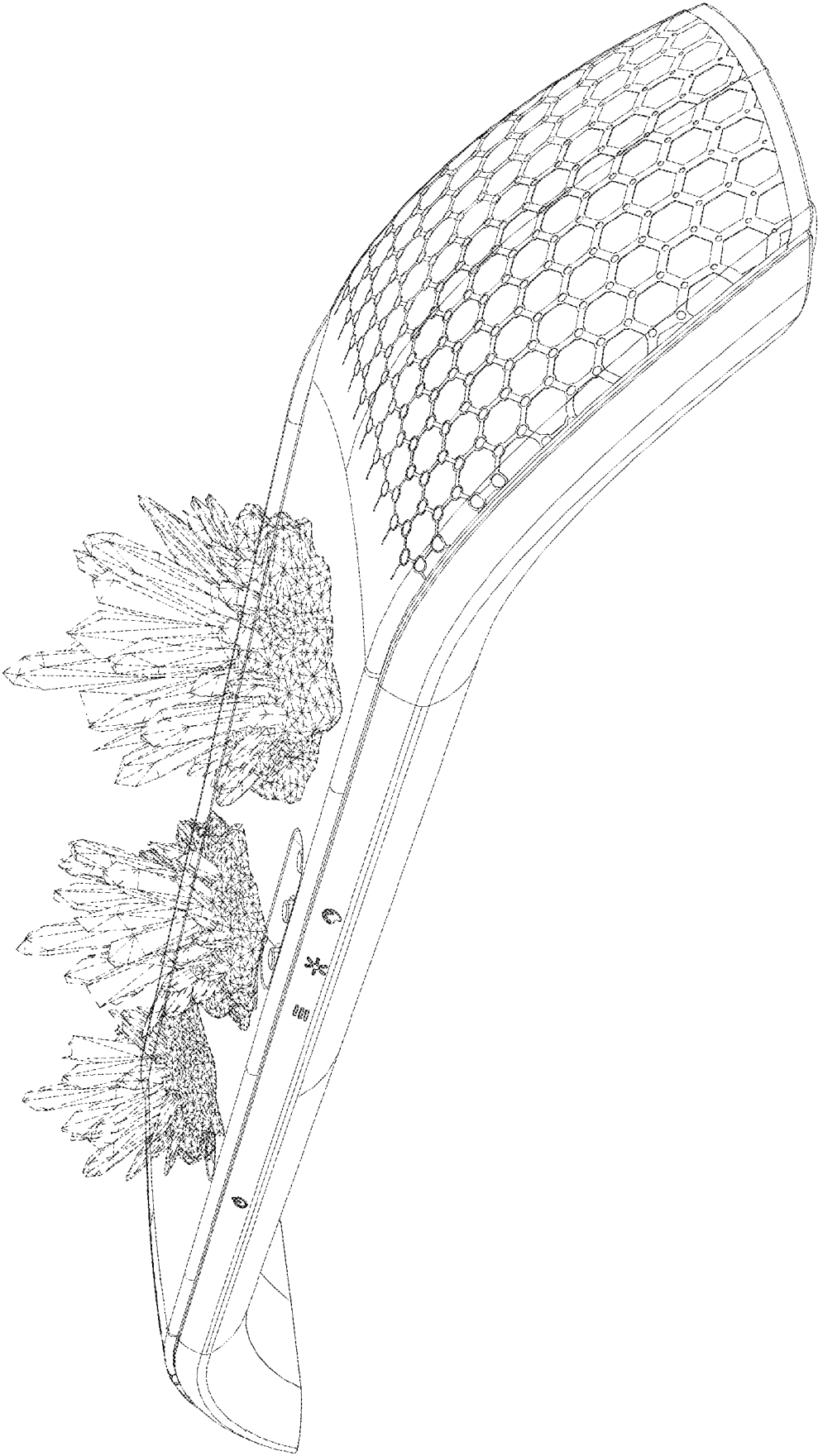


Fig. 8

FIG. 9



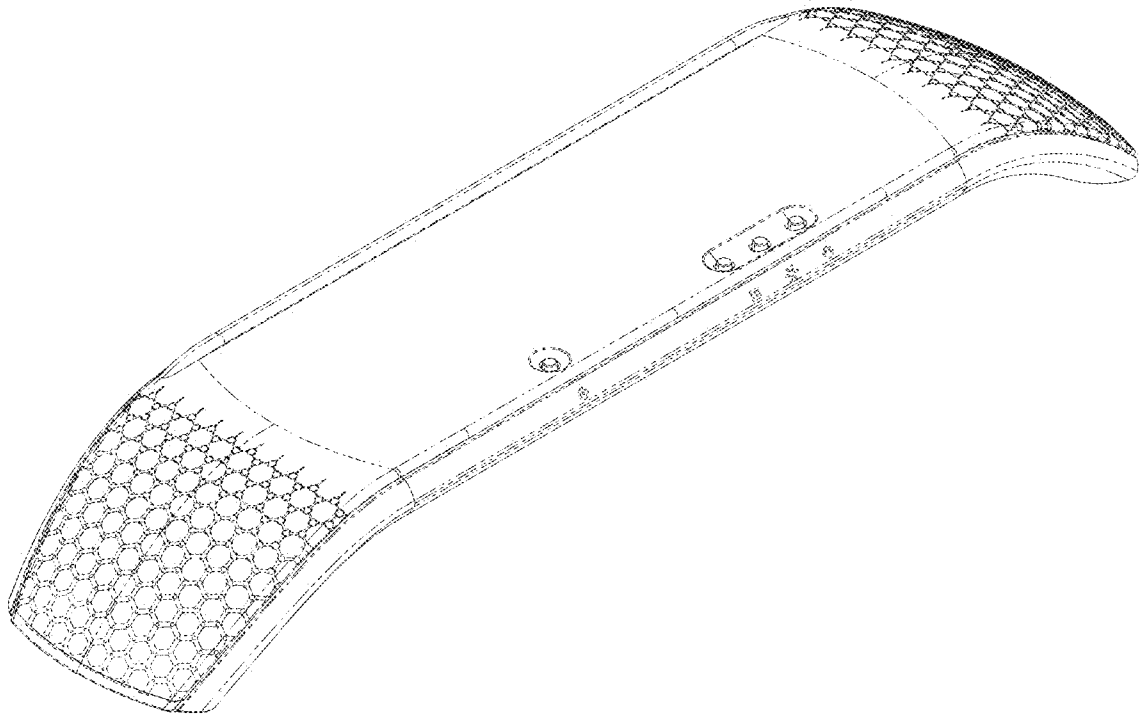


Fig. 10

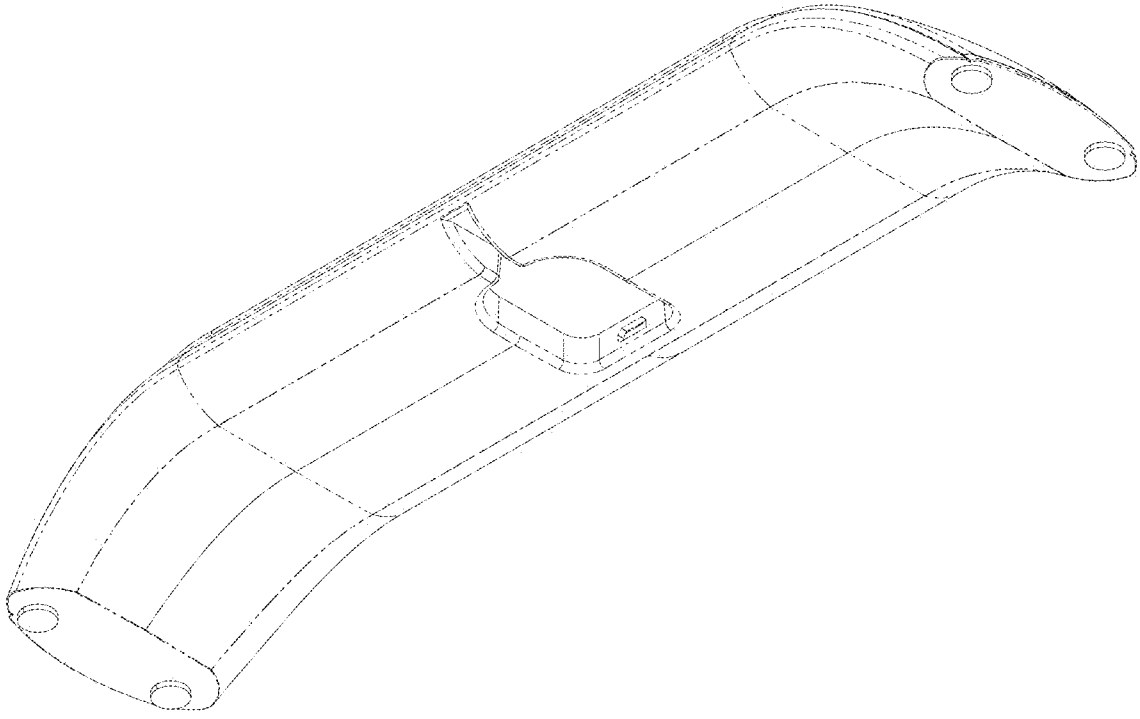


Fig. 11

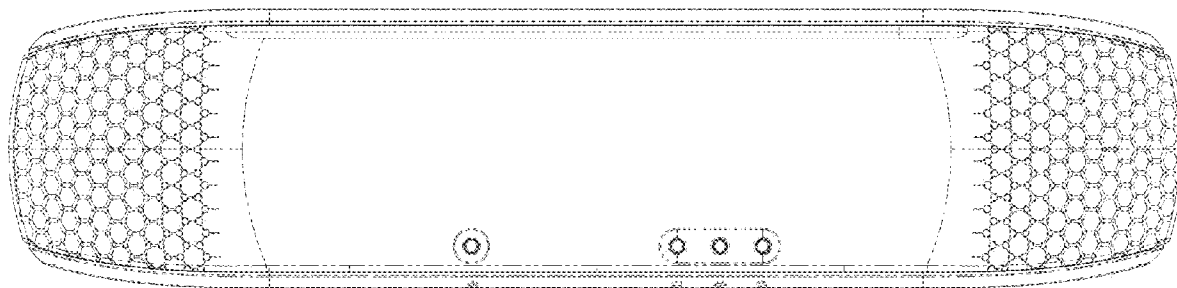


Fig. 12

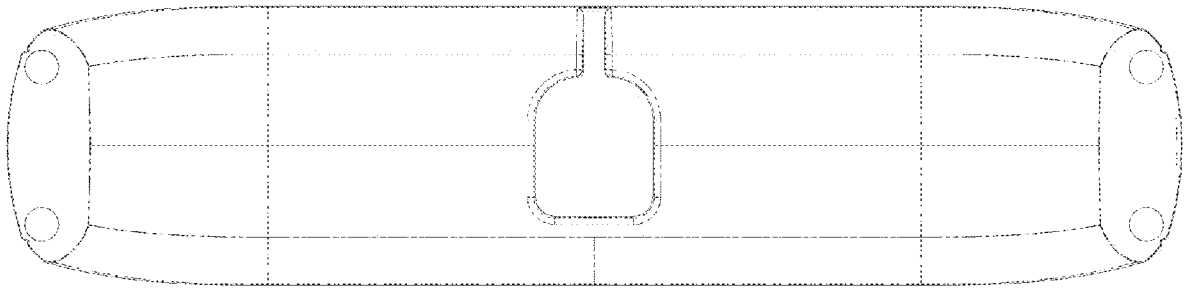


Fig. 13

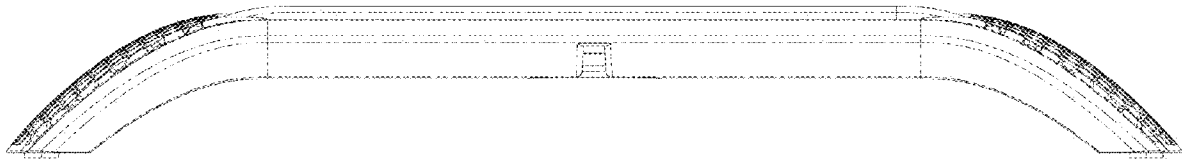


Fig. 14

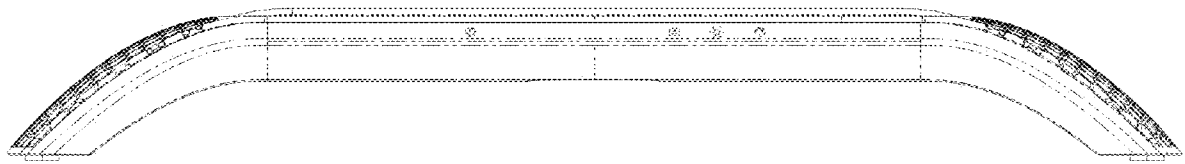


Fig. 15

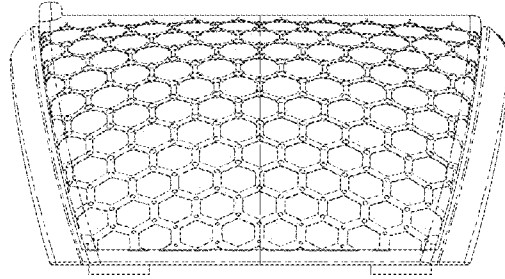


Fig. 16

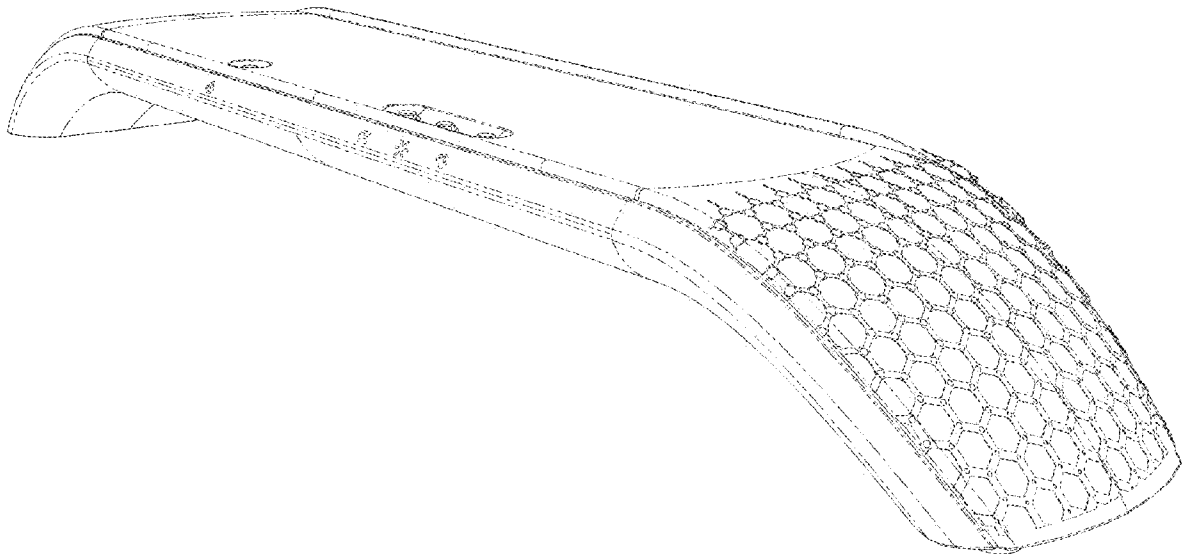


Fig. 17

FIG. 18

