



US00D829066S

(12) **United States Design Patent**
Xu

(10) **Patent No.:** **US D829,066 S**

(45) **Date of Patent:** **** Sep. 25, 2018**

(54) **PORTABLE DOUBLE-LAYER LUNCH BOX**

(71) Applicant: **Dongguan Aodian Trading Co., Ltd,**
Dongguan (CN)

(72) Inventor: **Jinsheng Xu,** Dongguan (CN)

(**) Term: **15 Years**

(21) Appl. No.: **29/591,198**

(22) Filed: **Jan. 18, 2017**

(51) **LOC (11) Cl.** **09-03**

(52) **U.S. Cl.**
USPC **D7/709**

(58) **Field of Classification Search**

USPC D7/629, 630, 601, 602, 538-542, 612,
D7/608, 300, 312, 316, 323, 353, 900,
D7/387, 368, 388, 397, 402, 403, 412,
D7/500, 550.1, 552.1, 552.2, 553.1,
D7/553.2, 553.3, 554.4, 555, 701-710;
D9/424-433, 445, 500, 501, 503, 504,
D9/516, 549, 575, 415-419, 737, 761,
D9/760, 759, 756, 479, 478, 420, 421;
D19/102, 75, 77; D8/71

CPC B65D 85/50; B65D 85/505; B65D 85/52;
B65D 43/02; B65D 1/26; B65D 43/0206;
B65D 43/0214; B65D 6/00; A47J 47/01;
A47J 42/14; A47J 42/34; A47J 42/50;
A47J 47/02; A47J 47/08; A47J 47/10;
A47J 41/00; A21B 1/52; H05B 3/02

See application file for complete search history.

(56) **References Cited**

U.S. PATENT DOCUMENTS

D157,441 S * 2/1950 Schroeder D19/77
2,672,232 A * 3/1954 Kessell, Jr. A45C 11/20
206/350
D201,224 S * 5/1965 Schroeder D7/605
3,432,025 A * 3/1969 Luhe A45C 11/20
206/499

3,608,538 A * 9/1971 Guerrero F24C 3/14
126/266
3,871,523 A * 3/1975 Bassett A45C 11/20
206/278
3,885,701 A * 5/1975 Becklin B65D 43/02
174/564
3,994,519 A * 11/1976 Williams B65D 55/06
292/246
4,279,342 A * 7/1981 Van Pelt A45C 15/00
206/542
4,971,220 A * 11/1990 Kaufman B65D 43/163
220/811

(Continued)

Primary Examiner — Shannon W Morgan

(74) *Attorney, Agent, or Firm* — Wayne & Ken, LLC;
Tony Hom

(57) **CLAIM**

The ornamental design for a portable double-layer lunch box, as shown and described.

DESCRIPTION

FIG. 1 is a top, front perspective view of a portable double-layer lunch box showing my new design;

FIG. 2 is another top, front perspective view of the portable double-layer lunch box in FIG. 1 shown with the handle in a closed position thereof;

FIG. 3 is a front elevational view thereof;

FIG. 4 is a rear elevational view thereof;

FIG. 5 is a top plan view thereof;

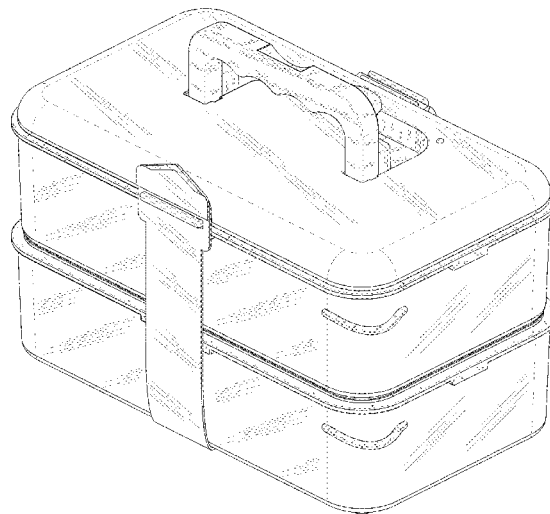
FIG. 6 is a bottom plan view thereof;

FIG. 7 is a left side elevational view thereof; and,

FIG. 8 is a right side elevational view thereof.

The broken line shown in the figures depict portions of the portable double-layer lunch box that forms no part of the claimed design. In particular, the broken lines shown in FIG. 6 depict a boundary line and the broken lines and areas within depict portions of the portable double-layer lunch box form no part of the claimed design.

1 Claim, 8 Drawing Sheets



(56)

References Cited

U.S. PATENT DOCUMENTS

5,035,122	A *	7/1991	Oogjen	A45C 11/20	D445,311	S *	7/2001	Emonet	D7/629
				62/3.62	D507,154	S *	7/2005	Kim	D7/610
5,065,867	A *	11/1991	Alfredson	A45C 9/00	D516,384	S *	3/2006	Neuhaus	D7/609
				206/542	D552,465	S *	10/2007	Ringo	D3/273
D323,675	S *	2/1992	Klodt	D19/75	D601,384	S *	10/2009	Shah	D7/538
5,123,540	A *	6/1992	Karavias	A45C 7/0036	D649,407	S *	11/2011	Neuhaus	D7/609
				206/541	D701,456	S *	3/2014	Farley	D9/420
D328,015	S *	7/1992	Hall	D7/605	D722,870	S *	2/2015	Fohner	D9/424
D335,067	S *	4/1993	Hamilton	D7/709	D741,703	S *	10/2015	Janson	D9/424
D343,993	S *	2/1994	Derrickson	D3/282	9,527,624	B1 *	12/2016	Phipps	A47K 10/32
D359,658	S *	6/1995	Cook	D7/605	D788,518	S *	6/2017	Aggarwal	D7/360
5,704,158	A *	1/1998	Whiteaker	A01K 97/06	2004/0099332	A1 *	5/2004	Kieck	A47J 47/10
				206/315.11					141/65
6,131,760	A *	10/2000	Huang	B65D 25/04	2008/0121630	A1 *	5/2008	Simard	A45C 11/20
				220/326					219/387
6,244,064	B1 *	6/2001	Powell	A45C 15/00	2014/0144041	A1 *	5/2014	Jean-Barnard	F26B 9/003
				62/331					34/355
					2014/0332527	A1 *	11/2014	Judd	A45C 11/20
									220/4.21
					2017/0101229	A1 *	4/2017	Perek	B65D 43/163

* cited by examiner

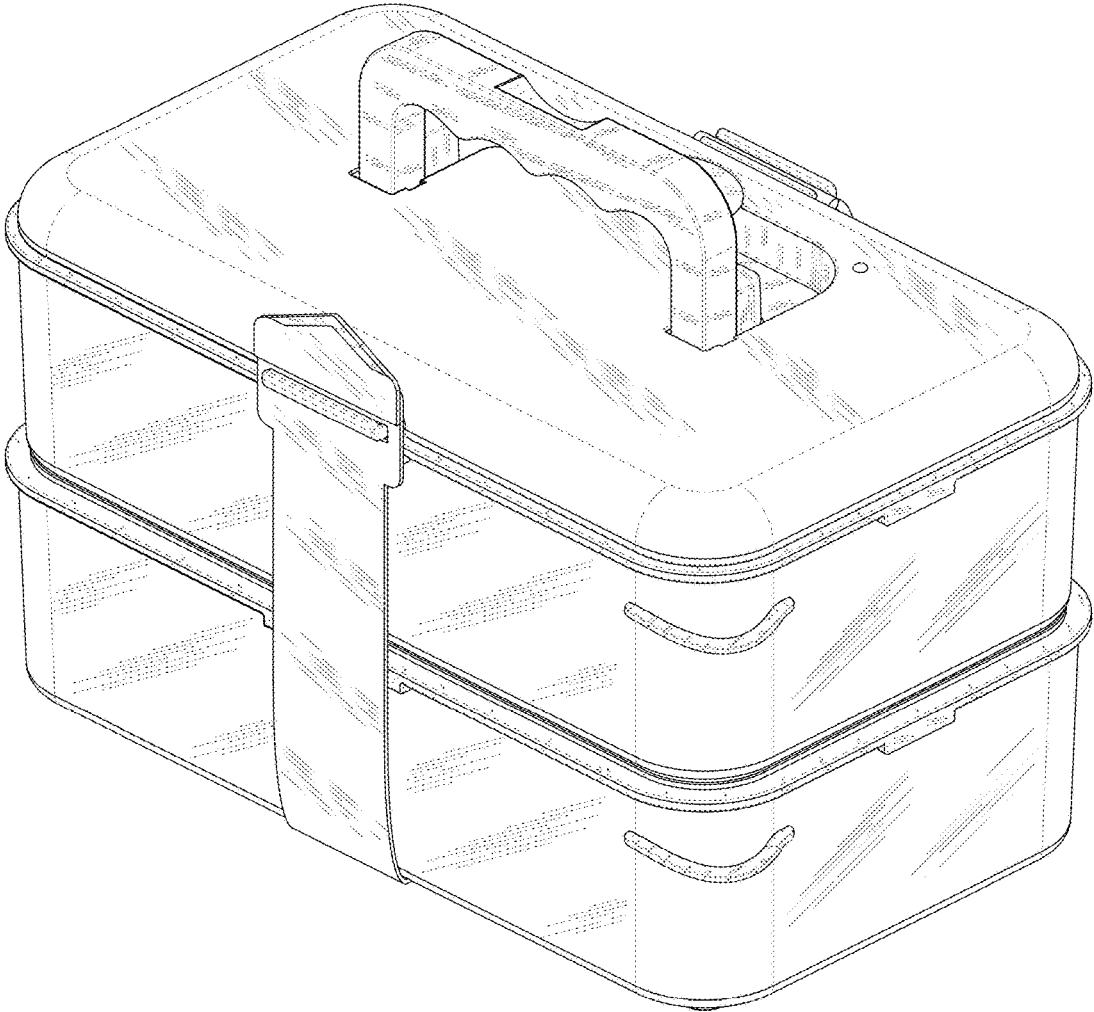


FIG.1

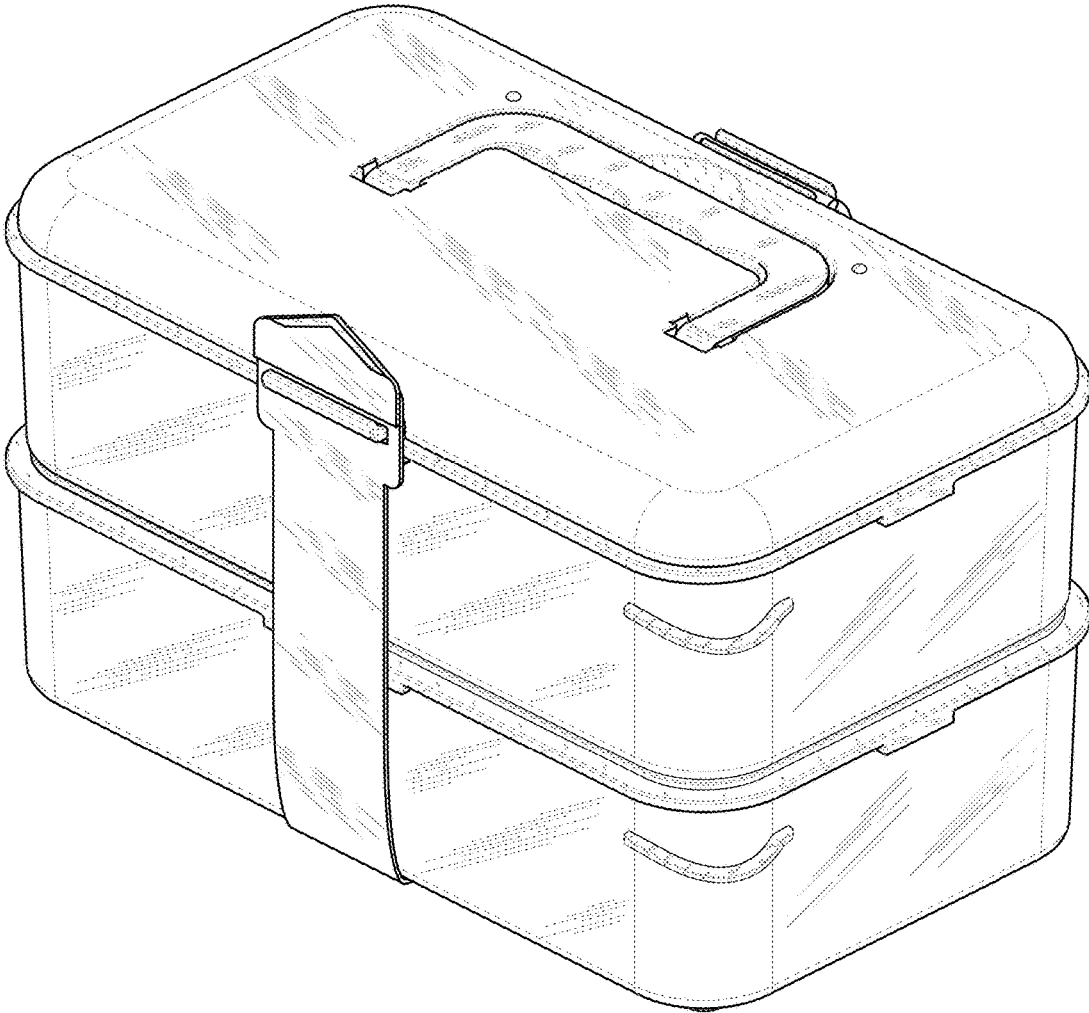


FIG.2

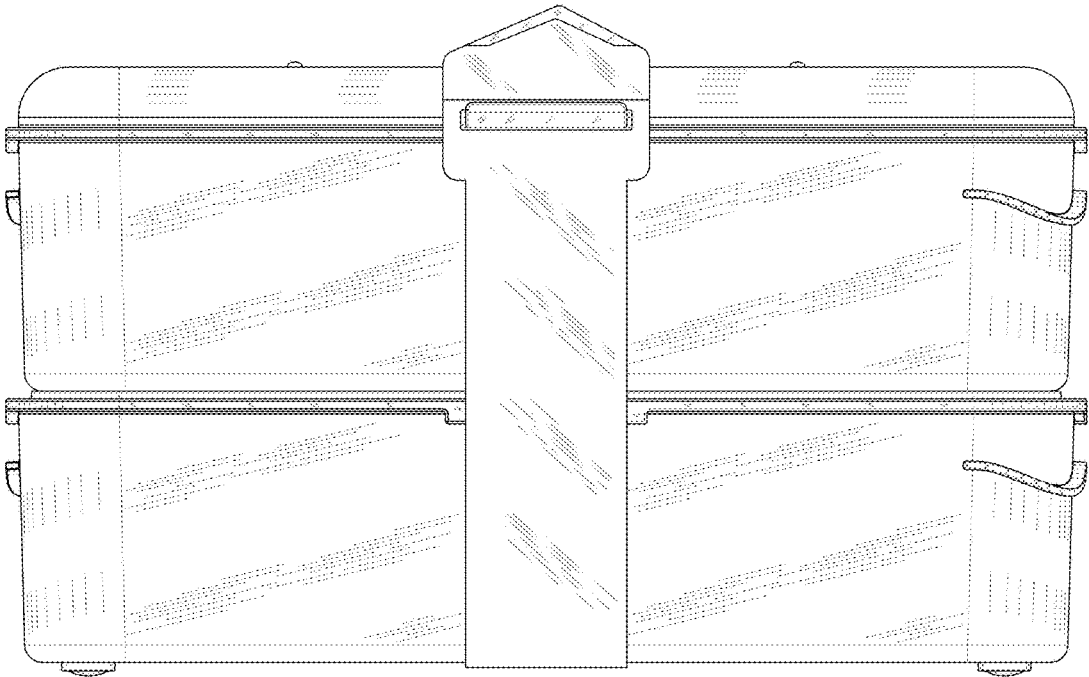


FIG.3

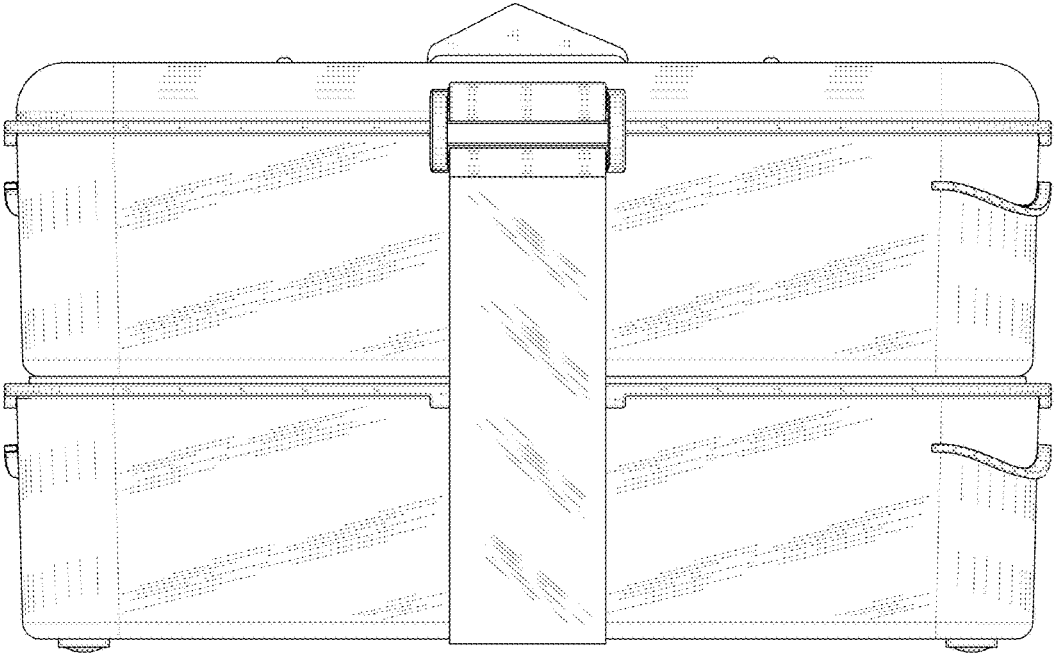


FIG.4

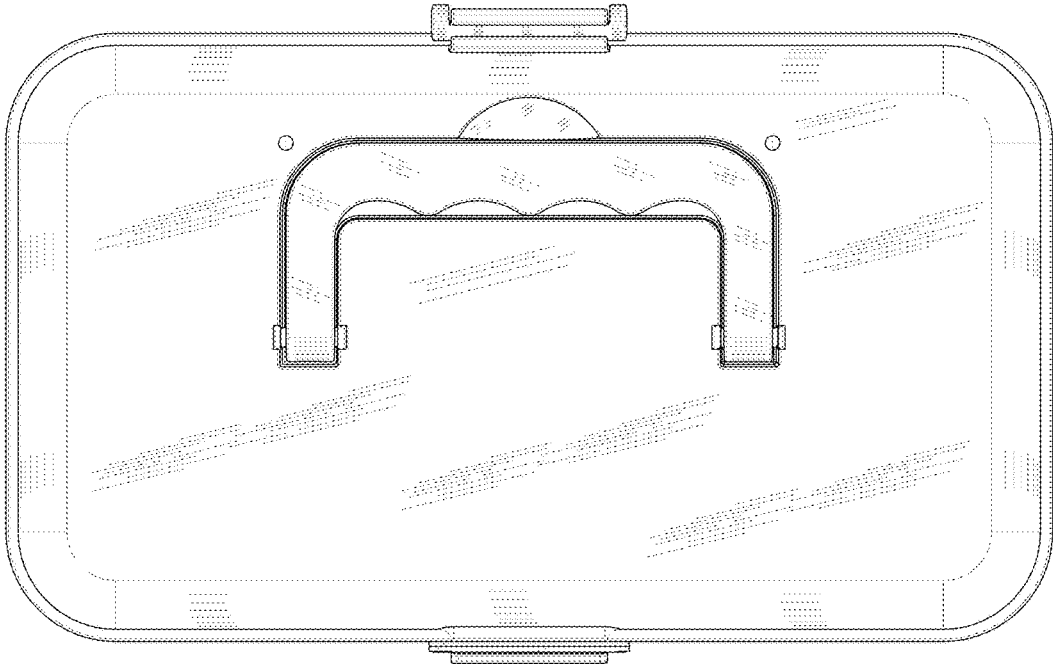


FIG.5

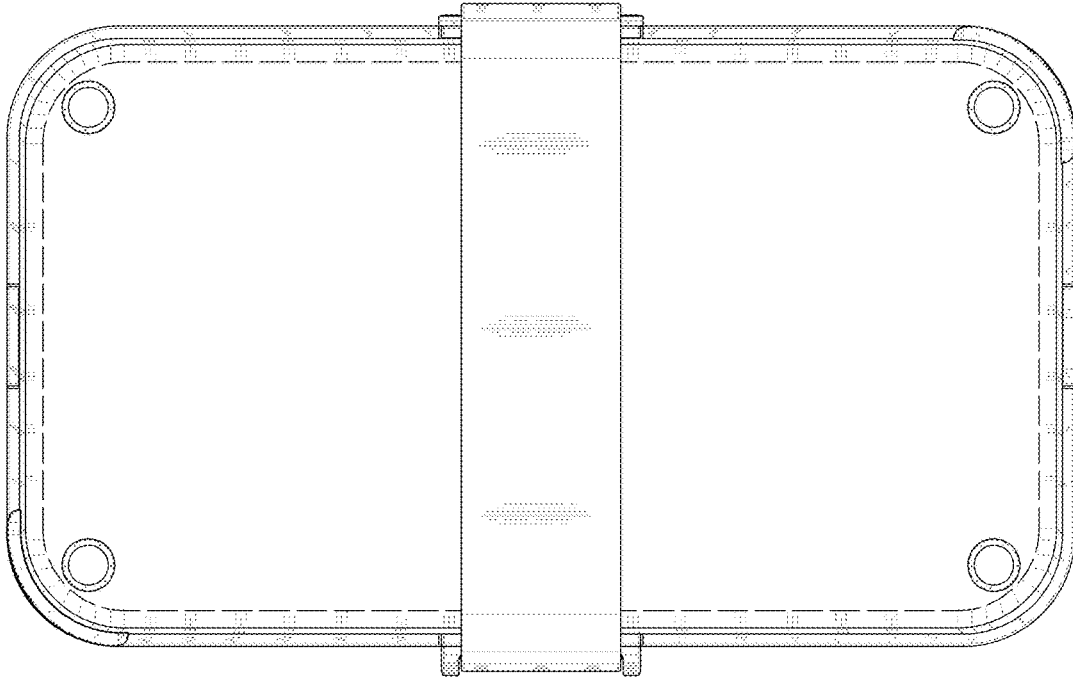


FIG.6

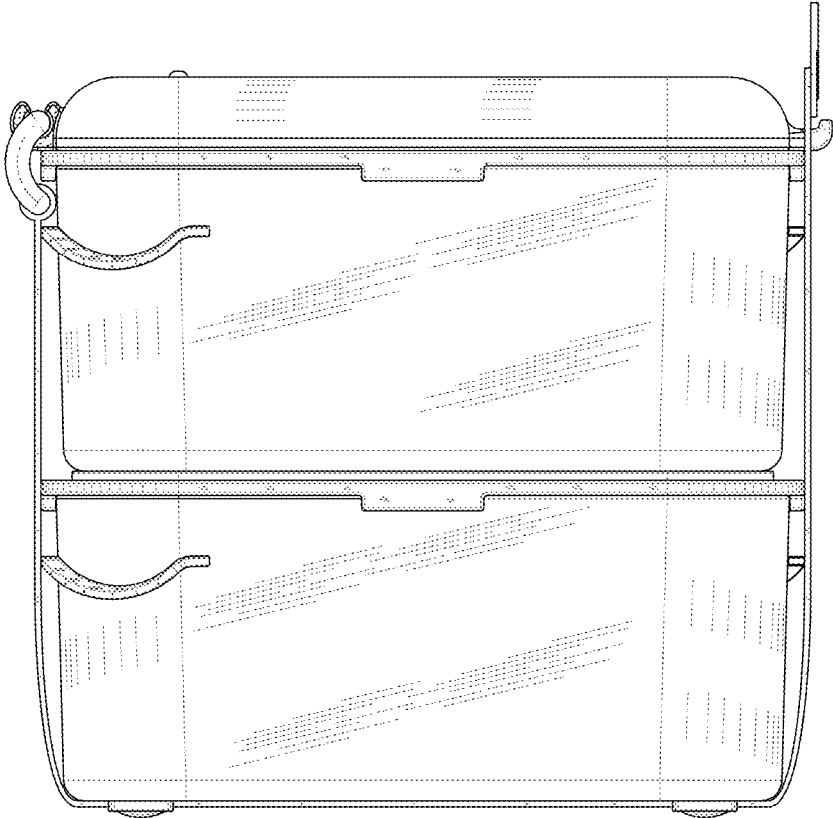


FIG.7

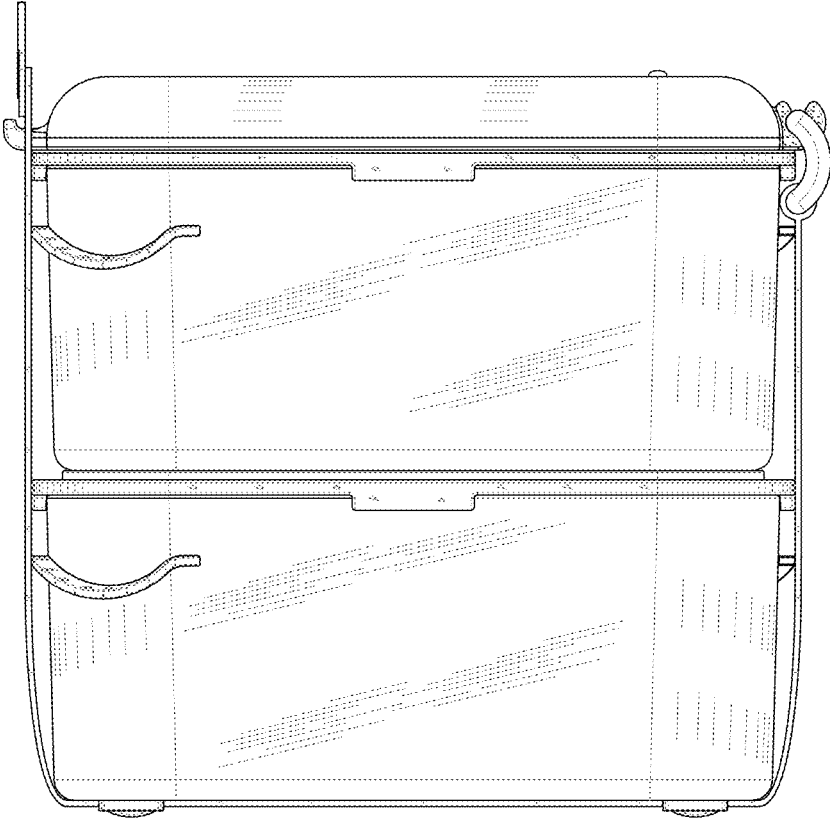


FIG.8