

(19) World Intellectual Property Organization  
International Bureau



(43) International Publication Date  
29 May 2008 (29.05.2008)

PCT

(10) International Publication Number  
**WO 2008/063631 A3**

(51) International Patent Classification:  
B05C 11/02 (2006.01)

(21) International Application Number:  
PCT/US2007/024238

(22) International Filing Date:  
20 November 2007 (20.11.2007)

(25) Filing Language: English

(26) Publication Language: English

(30) Priority Data:  
60/860,230 21 November 2006 (21.11.2006) US

(71) Applicants and

(72) Inventors: MCMURTRY, David [CA/US]; 1128 El Solyo Heights Drive, Felton, CA 95018 (US). PAUK-SHTO, Mikhail, Vitoldovich [US/US]; 820 Peary Lane, Foster City, CA (US). BOBROV, Yuri, A. [RU/US]; 1670 El Camino Real, #354, Menlo Park, CA 94025 (US).

(74) Agent: BATES, Owen, J.; 1143 Beaconsfield Road, San Jose, CA 95121 (US).

(81) Designated States (unless otherwise indicated, for every kind of national protection available): AE, AG, AL, AM,

AT, AU, AZ, BA, BB, BG, BH, BR, BW, BY, BZ, CA, CH, CN, CO, CR, CU, CZ, DE, DK, DM, DO, DZ, EC, EE, EG, ES, FI, GB, GD, GE, GH, GM, GT, HN, HR, HU, ID, IL, IN, IS, JP, KE, KG, KM, KN, KP, KR, KZ, LA, LC, LK, LR, LS, LT, LU, LY, MA, MD, ME, MG, MK, MN, MW, MX, MY, MZ, NA, NG, NI, NO, NZ, OM, PG, PH, PL, PT, RO, RS, RU, SC, SD, SE, SG, SK, SL, SM, SV, SY, TJ, TM, TN, TR, TT, TZ, UA, UG, US, UZ, VC, VN, ZA, ZM, ZW.

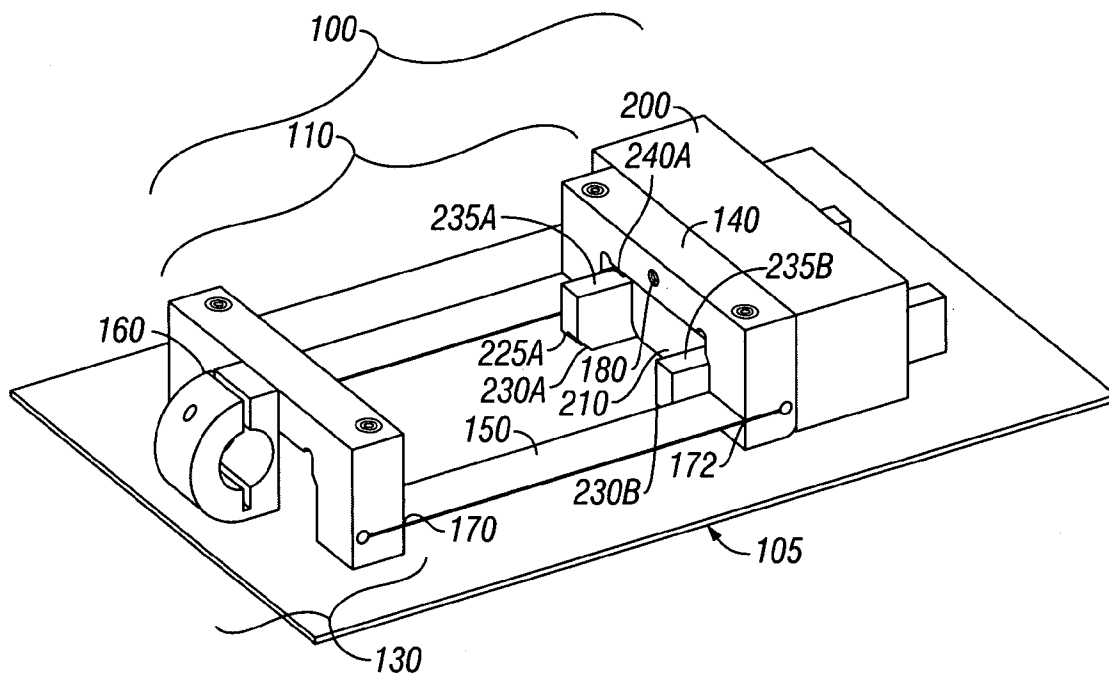
(84) Designated States (unless otherwise indicated, for every kind of regional protection available): ARIPO (BW, GH, GM, KE, LS, MW, MZ, NA, SD, SL, SZ, TZ, UG, ZM, ZW), Eurasian (AM, AZ, BY, KG, KZ, MD, RU, TJ, TM), European (AT, BE, BG, CH, CY, CZ, DE, DK, EE, ES, FI, FR, GB, GR, HU, IE, IS, IT, LT, LU, LV, MC, MT, NL, PL, PT, RO, SE, SI, SK, TR), OAPI (BF, BJ, CF, CG, CI, CM, GA, GN, GQ, GW, ML, MR, NE, SN, TD, TG).

Declaration under Rule 4.17:  
— of inventorship (Rule 4.17(iv))

Published:  
— with international search report

(88) Date of publication of the international search report:  
21 August 2008

(54) Title: A LIQUID FILM APPLICATOR ASSEMBLY AND RECTILINEAR SHEARING SYSTEM INCORPORATING THE SAME



(57) Abstract: A liquid coating applicator with a very precise means for controlling gap thickness as well as adapting to non-planar discontinuities in the substrate.



WO 2008/063631 A3

**INTERNATIONAL SEARCH REPORT**

International application No.

PCT/US2007/024238

**A. CLASSIFICATION OF SUBJECT MATTER**

IPC(8) - B05C 11/02 (2008.01)

USPC - 118/100

According to International Patent Classification (IPC) or to both national classification and IPC

**B. FIELDS SEARCHED**

Minimum documentation searched (classification system followed by classification symbols)

IPC(8) - B05C 11/02 (2008.01)

USPC - 118/100

Documentation searched other than minimum documentation to the extent that such documents are included in the fields searched

Electronic data base consulted during the international search (name of data base and, where practicable, search terms used)

PatBase

**C. DOCUMENTS CONSIDERED TO BE RELEVANT**

Category*	Citation of document, with indication, where appropriate, of the relevant passages	Relevant to claim No.
X	US 4,869,200 A (EUVERARD) 26 September 1989 (26.09.1989) entire document	1-17
A	US 2003/0017581 A1 (LI et al) 23 January 2003 (23.01.2003) entire document	1-20
A	US 2004/0265493 A1 (MIZUNO et al) 30 December 2004 (30.12.2004) entire document	1-20
A	US 2001/0029887 A1 (FALCK et al) 18 October 2001 (18.10.2001) entire document	1-20
A	US 2002/0121239 A1 (TONAZZI et al) 05 September 2002 (05.09.2002) entire document	1-20
A	US 4,299,789 A (GIESBRECHT) 10 November 1981 (10.11.1981) entire document	1-20
A	US 6,848,897 B2 (LAZAREV et al) 01 February 2005 (01.02.2005) entire document	1-20

Further documents are listed in the continuation of Box C.

\* Special categories of cited documents:

"A" document defining the general state of the art which is not considered to be of particular relevance

"E" earlier application or patent but published on or after the international filing date

"L" document which may throw doubts on priority claim(s) or which is cited to establish the publication date of another citation or other special reason (as specified)

"O" document referring to an oral disclosure, use, exhibition or other means

"P" document published prior to the international filing date but later than the priority date claimed

"T" later document published after the international filing date or priority date and not in conflict with the application but cited to understand the principle or theory underlying the invention

"X" document of particular relevance; the claimed invention cannot be considered novel or cannot be considered to involve an inventive step when the document is taken alone

"Y" document of particular relevance; the claimed invention cannot be considered to involve an inventive step when the document is combined with one or more other such documents, such combination being obvious to a person skilled in the art

"&" document member of the same patent family

Date of the actual completion of the international search

11 March 2008

Date of mailing of the international search report

**09 APR 2008**

Name and mailing address of the ISA/US

Mail Stop PCT, Attn: ISA/US, Commissioner for Patents  
P.O. Box 1450, Alexandria, Virginia 22313-1450  
Facsimile No. 571-273-3201

Authorized officer:

Blaine R. Copenheaver

PCT Helpdesk: 571-272-4300  
PCT OSP: 571-272-7774