



US00D425698S

# United States Patent [19]

[11] Patent Number: **Des. 425,698**

Paul et al.

[45] Date of Patent: **\*\* May 30, 2000**

[54] **CONVERTIBLE BACKPACK/SHOULDER BAG**

4,273,274 6/1981 Freistadt .  
4,810,102 3/1989 Norton .  
5,377,887 1/1995 Garcia .  
5,407,112 4/1995 Christodoulou et al. .... 224/153  
5,431,317 7/1995 Kliot .

[75] Inventors: **Jeanne Paul; Lauren Candelaria**, both of Portland, Oreg.

[73] Assignee: **Norm Thompson Outfitters, Inc.**, Hillsboro, Oreg.

[\*\*] Term: **14 Years**

[21] Appl. No.: **29/110,897**

[22] Filed: **Sep. 15, 1999**

[51] **LOC (7) Cl.** ..... **03-01**

[52] **U.S. Cl.** ..... **D3/217; D3/216; D3/233**

[58] **Field of Search** ..... **D3/216, 217, 221, D3/233, 254, 267, 224, 201; 150/107, 108, 104; 224/153, 578, 636**

[56] **References Cited**

**U.S. PATENT DOCUMENTS**

D. 197,546	2/1964	Motokane	.....	D3/267
D. 312,726	12/1990	Kline	.....	D3/224
D. 315,825	4/1991	Hutton et al.	.....	D3/217
D. 340,351	10/1993	Wrath	.....	D23/217
D. 359,847	7/1995	Callegari	.	
D. 363,599	10/1995	Gaffin	.	
D. 376,686	12/1996	Daboudet	.....	D3/217
D. 390,352	2/1998	Lane	.....	D3/216
D. 403,497	1/1999	Gethner	.....	D3/201
D. 404,563	1/1999	Rausch	.....	D3/216
3,346,155	10/1967	Oechsle	.	
3,790,049	2/1974	Bohanec	.	
4,085,873	4/1978	Schweitzer	.....	224/15
4,153,092	5/1979	Haslam	.	

**OTHER PUBLICATIONS**

Spiegel F/W; 1997—p. 101, Item G, Backpack “. . . adjustable straps convert . . . to shoulder sling . . .”.

*Primary Examiner*—Celia Murphy  
*Attorney, Agent, or Firm*—ipsolon llp

[57] **CLAIM**

The ornamental design for a convertible backpack/shoulder bag, as shown and described.

**DESCRIPTION**

FIG. 1 is a front, top and right side perspective view of a convertible backpack/shoulder bag showing our claimed design with the bag straps configured for wearing the bag as a backpack;

FIG. 2 is rear elevational view thereof;

FIG. 3 is a front elevational view thereof;

FIG. 4 is a right side elevational view thereof;

FIG. 5 is a left side elevational view thereof;

FIG. 6 is a top plan view thereof;

FIG. 7 is a bottom plan view thereof; and,

FIG. 8 is a front, top and right side perspective view of a convertible backpack/shoulder bag showing our claimed design with the bag straps configured for wearing the bag as a shoulder bag.

The broken lines shown in the Figures are for illustrative purposes only and form no part of the claimed design.

**1 Claim, 5 Drawing Sheets**

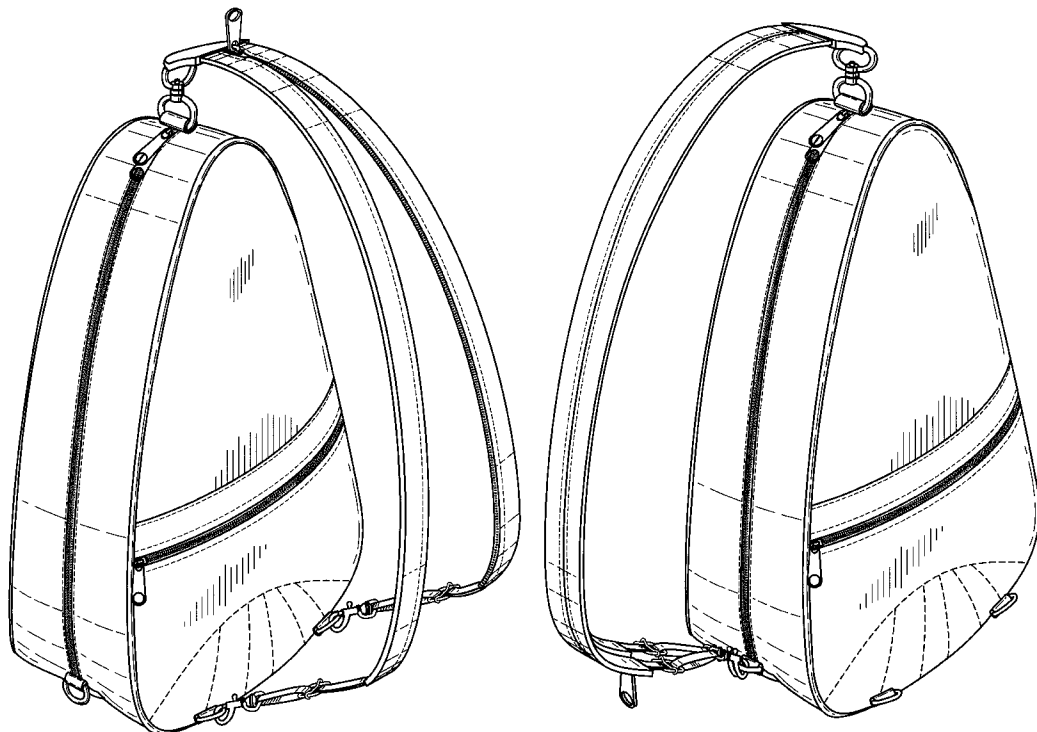
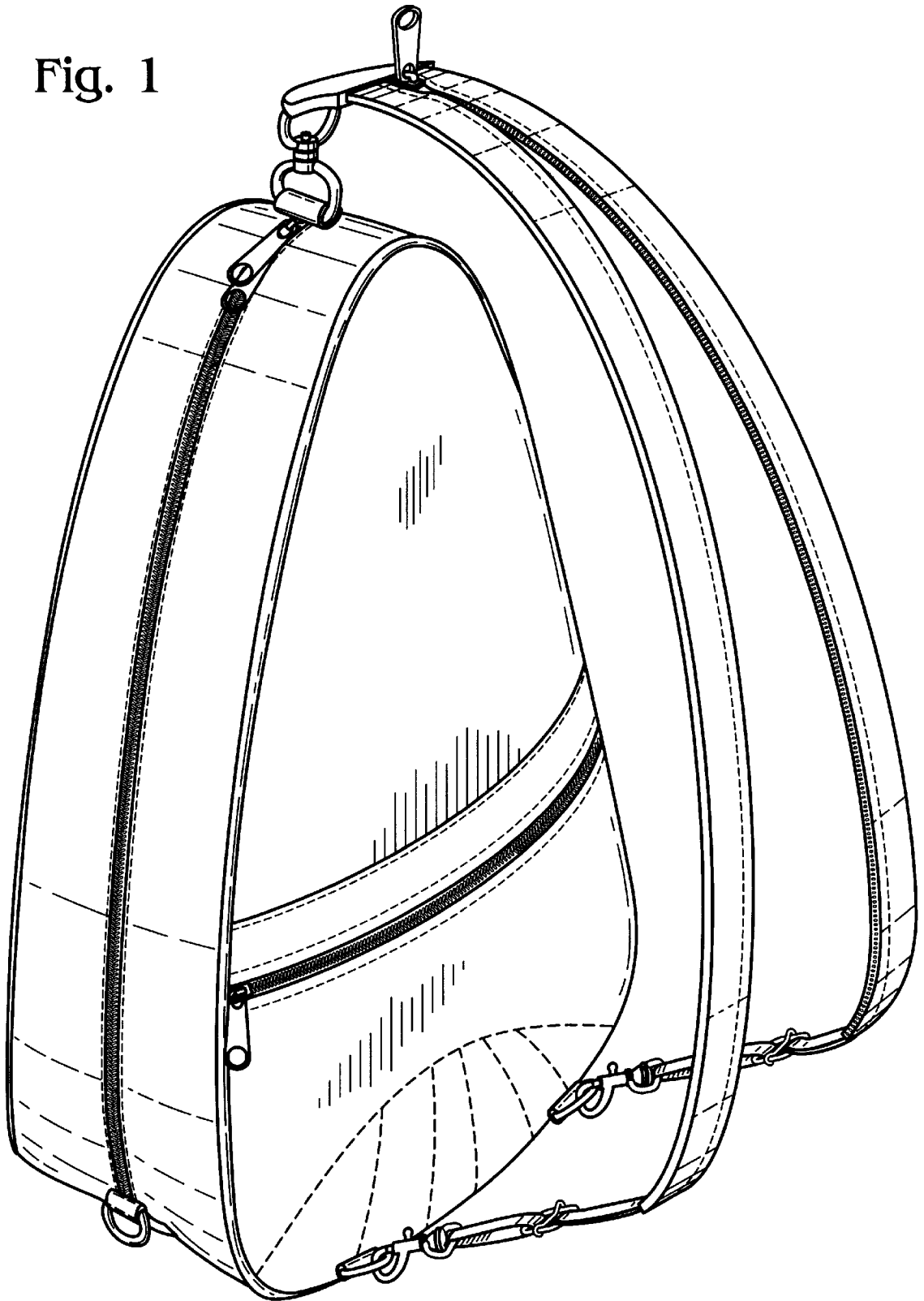


Fig. 1



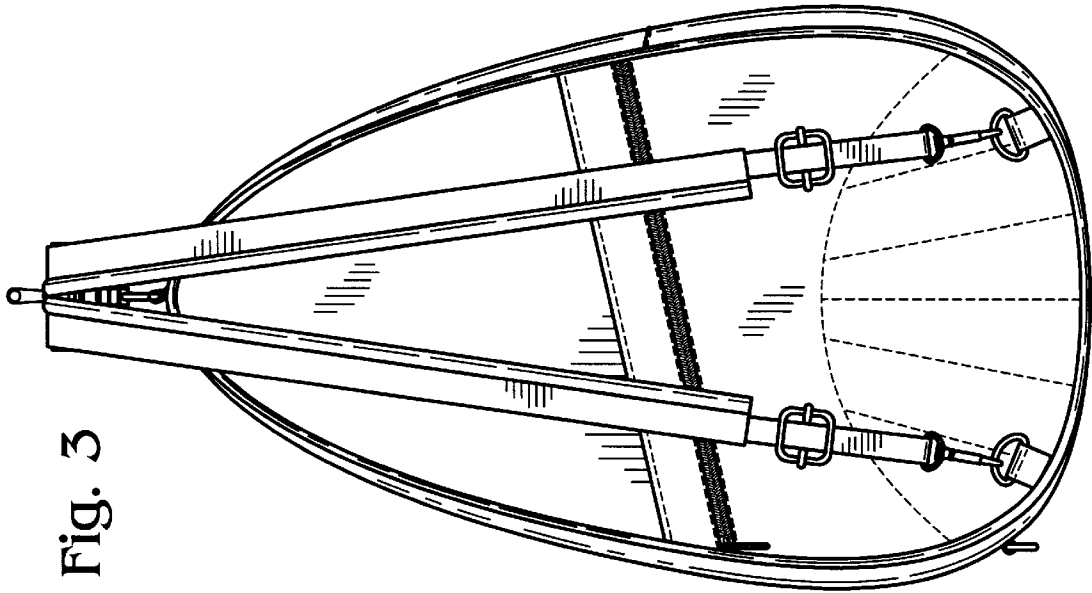


Fig. 3

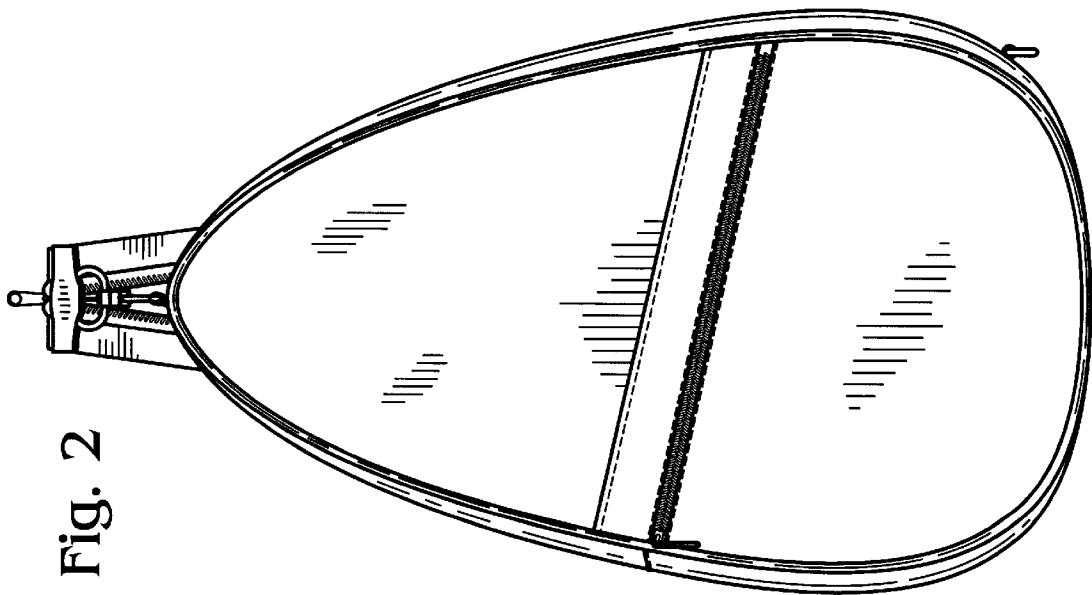


Fig. 2

Fig. 5

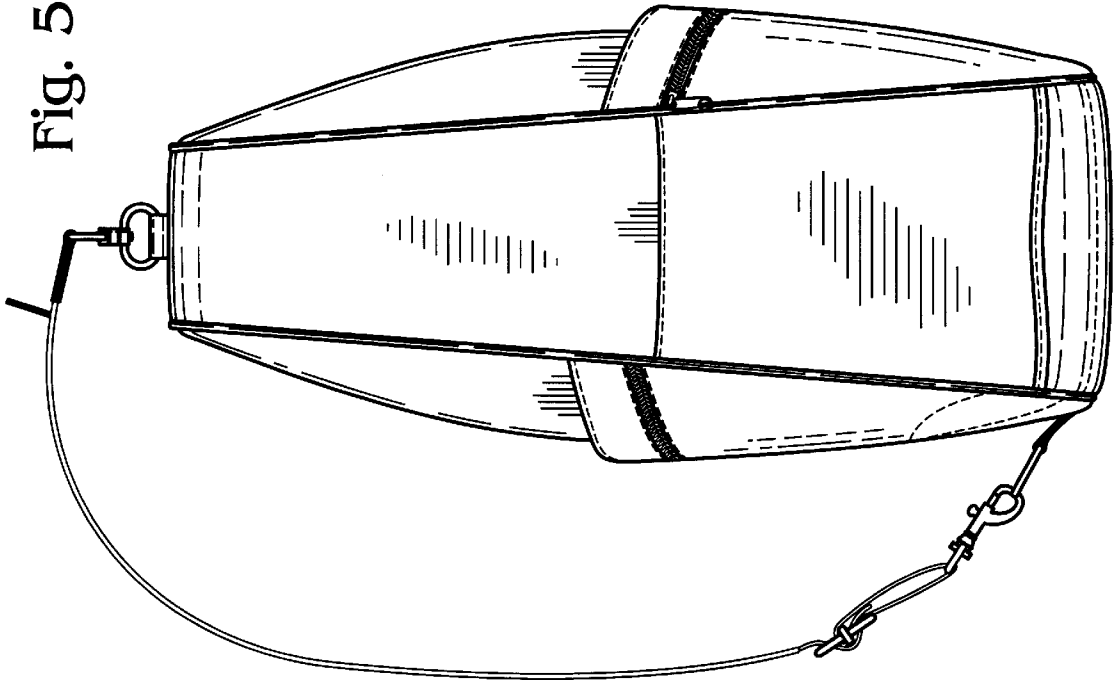
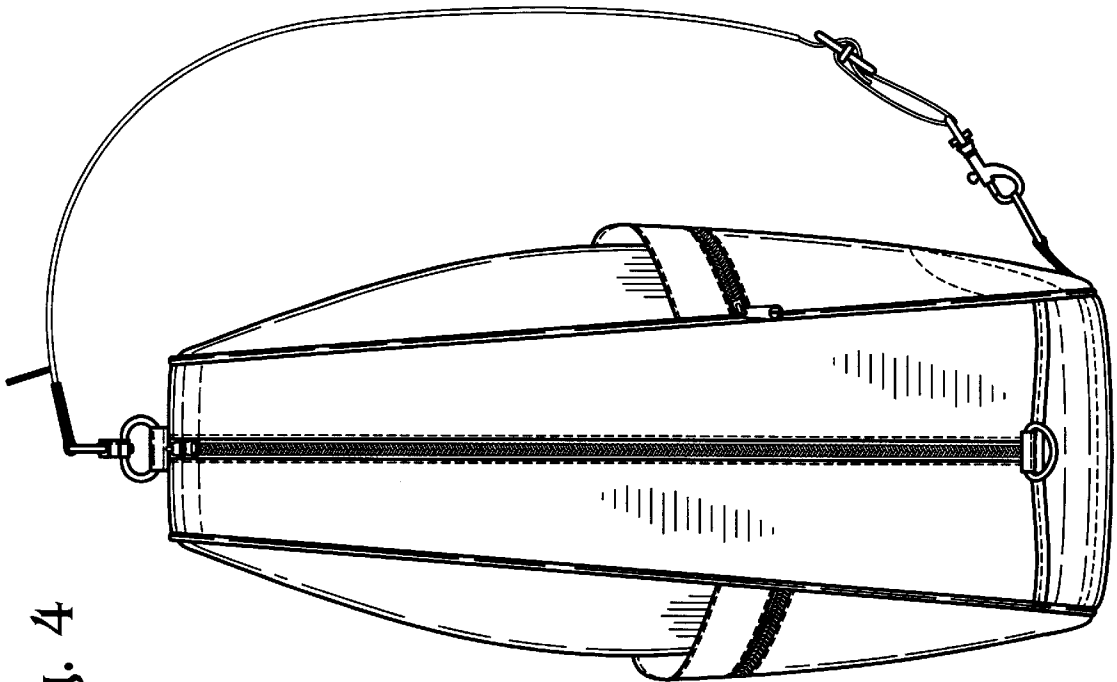


Fig. 4



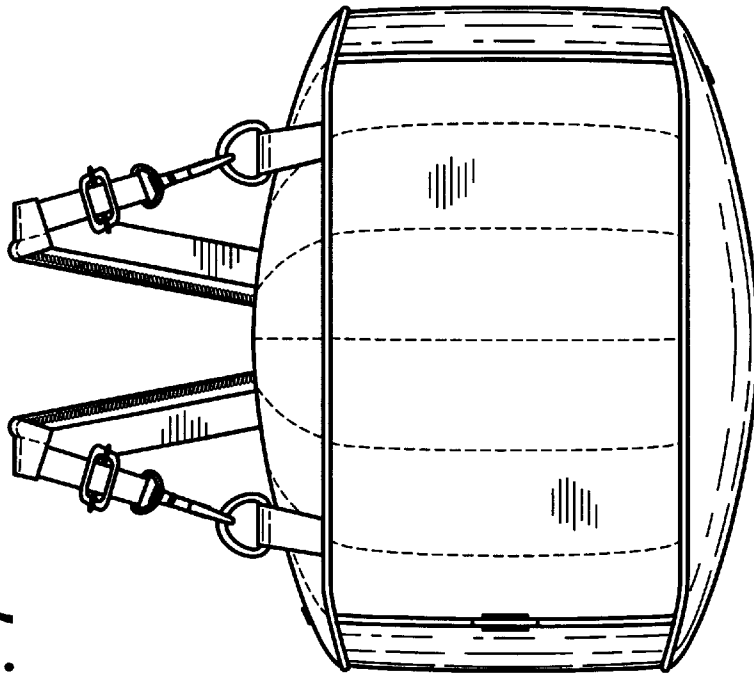


Fig. 7

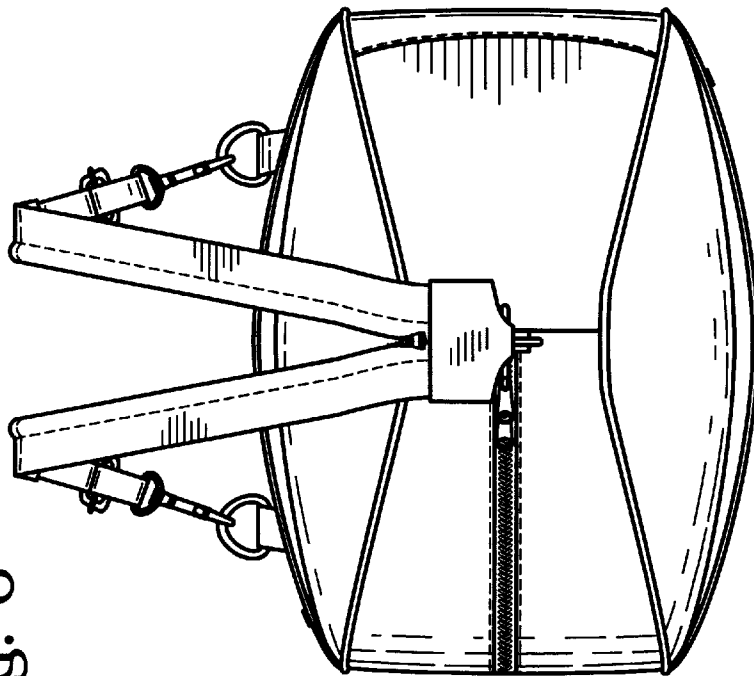


Fig. 6

Fig. 8

