



(12) **United States Design Patent**
Jeon et al.

(10) **Patent No.:** **US D847,803 S**
(45) **Date of Patent:** **** May 7, 2019**

- (54) **STAND FOR TELEVISION RECEIVER**
- (71) Applicant: **LG ELECTRONICS INC.**, Seoul (KR)
- (72) Inventors: **Byunglok Jeon**, Seoul (KR); **Yooseok Kim**, Seoul (KR); **Younsoo Kim**, Seoul (KR); **Hyojin Won**, Seoul (KR)
- (73) Assignee: **LG ELECTRONICS INC.**, Seoul (KR)
- (**) Term: **15 Years**
- (21) Appl. No.: **35/503,974**
- (22) Filed: **May 16, 2017**
- (80) **Hague Agreement Data**
Int. Filing Date: **May 16, 2017**
Int. Reg. No.: **DM/096183**
Int. Reg. Date: **May 16, 2017**
Int. Reg. Pub. Date: **Nov. 17, 2017**

- (30) **Foreign Application Priority Data**
Apr. 24, 2017 (KR) 30-2017-0018858
- (51) **LOC (11) Cl.** **14-03**
- (52) **U.S. Cl.**
USPC **D14/239**
- (58) **Field of Classification Search**
USPC D14/238, 239, 125-134, 371, 374-377, D14/440, 451, 336, 251-253, 447, 434, D14/432, 439, 457, 142, 217, 209.1; D6/300, 672, 407, 567, 525; D10/26; D21/329, 515; D8/349; D12/223, 420; D20/10, 19, 39
CPC F16M 11/00; F16M 11/04; F16M 11/043; F16M 11/10; F16M 13/00; H04M 1/04; H04M 1/06; G06F 1/1601; G06F 1/1643; H05K 5/0004; H05K 5/0017; H05K 5/02; H05K 5/0217
See application file for complete search history.

- (56) **References Cited**
U.S. PATENT DOCUMENTS
D545,316 S * 6/2007 Kim D14/375
D602,453 S * 10/2009 Ding D14/126
7,712,711 B2 * 5/2010 Jang F16M 11/105
248/125.8
D624,062 S * 9/2010 Kasuga D14/239
D624,063 S * 9/2010 Kasuga D14/239
(Continued)

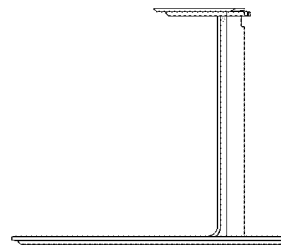
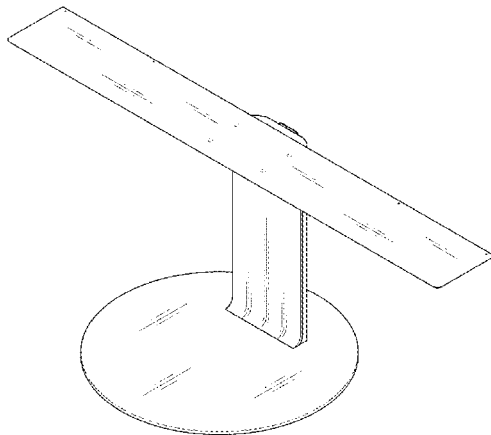
- FOREIGN PATENT DOCUMENTS
JP D1600172 * 3/2018
WO D096183-001 * 11/2017
Primary Examiner — Barbara Fox
Assistant Examiner — Dana K Weiland
(74) *Attorney, Agent, or Firm* — Birch, Stewart, Kolasch & Birch, LLP

(57) **CLAIM**
The ornamental design for a stand for television receiver, as shown and described.

DESCRIPTION

1. Stand for television receiver
1.1 is a front perspective view of a stand for television receiver showing our new design;
1.2 is the front view thereof;
1.3 is the back view thereof;
1.4 is the left side view thereof;
1.5 is the right side view thereof;
1.6 is the top view thereof;
1.7 is the bottom view thereof;
1.8 is another front perspective view showing the stand for television receiver in use.
The broken lines shown in the drawings depict portions of the stand for television receiver that form no part of the claimed design. The broken lines shown in reproduction **1.8** are directed toward environment and form no part of the claimed design.

1 Claim, 5 Drawing Sheets



(56)

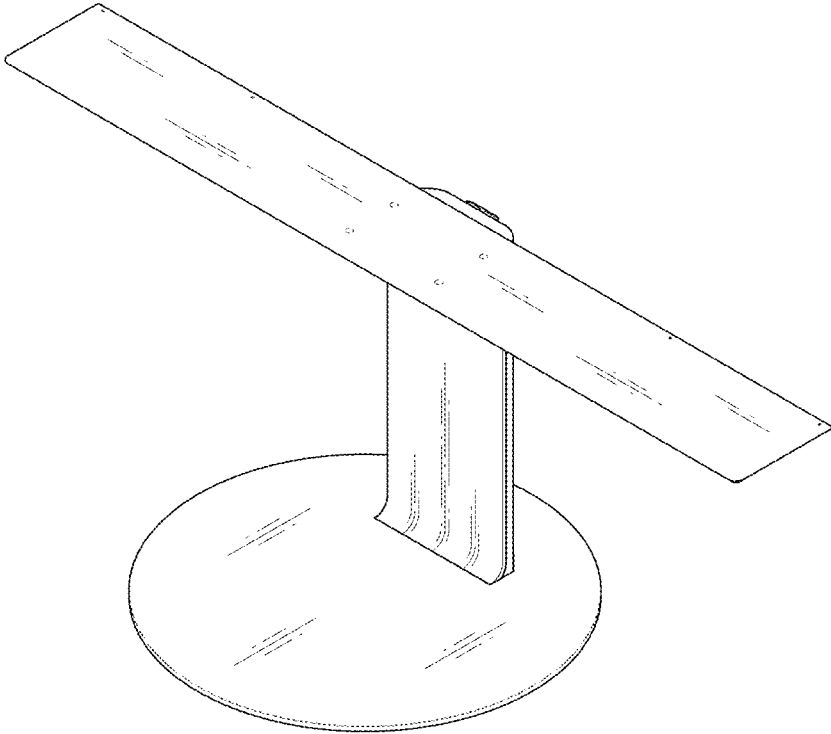
References Cited

U.S. PATENT DOCUMENTS

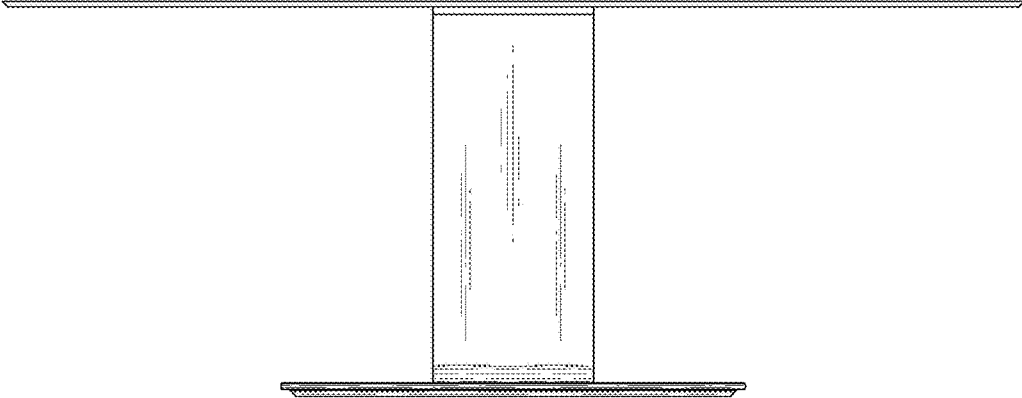
D624,549	S *	9/2010	Okoshi	D14/451
D624,895	S *	10/2010	Kasuga	D14/126
D625,302	S *	10/2010	Kasuga	D14/239
D638,022	S *	5/2011	Kasuga	D14/239
D677,090	S *	3/2013	Floyd	D6/526
D681,647	S *	5/2013	Choi	D14/451
D682,271	S *	5/2013	Kim	D14/374
D695,544	S *	12/2013	Floyd	D6/526
D702,244	S *	4/2014	Seo	D14/451
D704,709	S *	5/2014	Bussoli	D14/128
D733,160	S *	6/2015	Lee	D14/451
D759,002	S *	6/2016	Won	D14/239
D760,723	S *	7/2016	Won	D14/447
D772,601	S *	11/2016	Christie	D6/526
D776,668	S *	1/2017	Wallace	D14/451
D787,522	S *	5/2017	Lee	D14/451
D802,328	S *	11/2017	Wortell	D6/526
D806,069	S *	12/2017	Peng	D14/336
2014/0284435	A1 *	9/2014	Lu	F16M 11/10 248/125.2

* cited by examiner

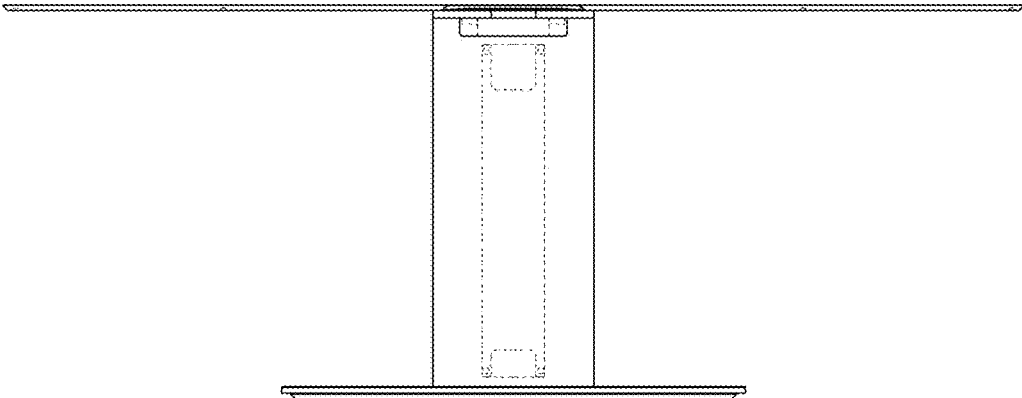
1.1



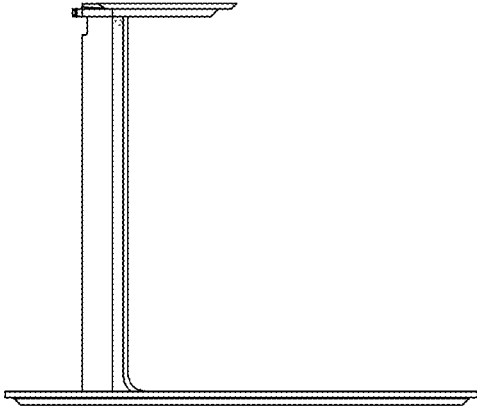
1.2



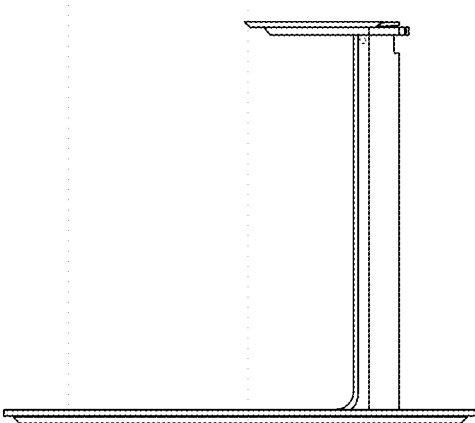
1.3



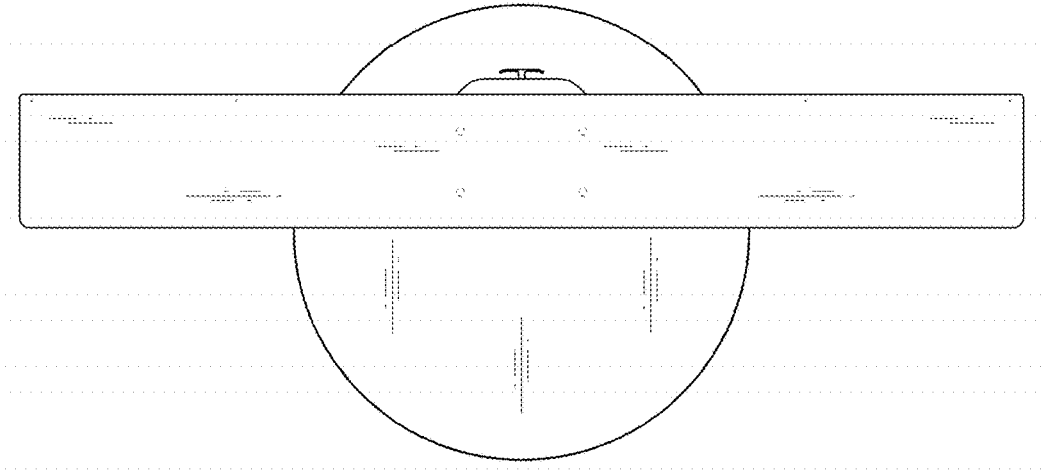
1.4



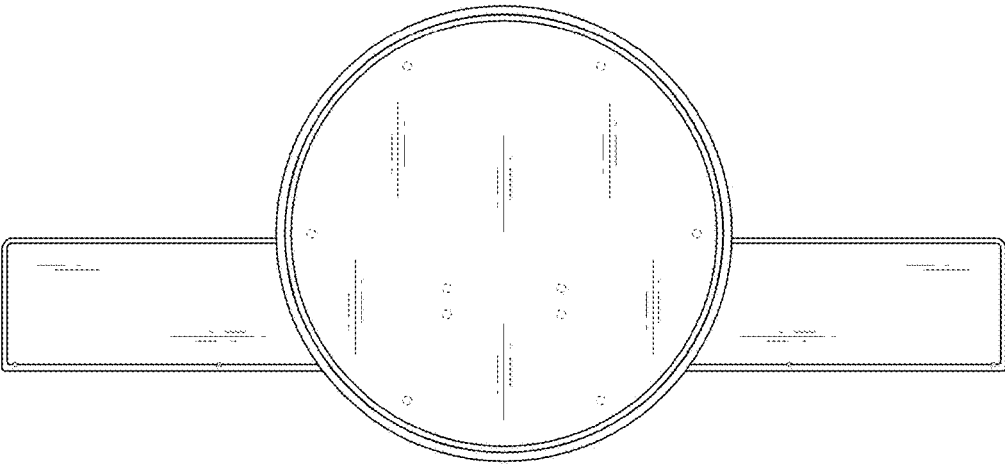
1.5



1.6



1.7



1.8

