



US00D905263S

(12) **United States Design Patent**  
**Paczewski**

(10) **Patent No.:** **US D905,263 S**

(45) **Date of Patent:** **\*\* Dec. 15, 2020**

(54) **MASSAGING DEVICE**

(71) Applicant: **Eric Paczewski**, Dallas, PA (US)

(72) Inventor: **Eric Paczewski**, Dallas, PA (US)

(\*\*) Term: **15 Years**

(21) Appl. No.: **29/646,526**

(22) Filed: **May 4, 2018**

(51) **LOC (12) Cl.** ..... **28-03**

(52) **U.S. Cl.**  
USPC ..... **D24/215**

(58) **Field of Classification Search**  
USPC ..... D24/200, 211, 214, 215; D28/91.2;  
D12/130, 178  
CPC ..... A61H 15/0092; A61H 2201/1635; A61H  
2205/081

See application file for complete search history.

(56) **References Cited**

**U.S. PATENT DOCUMENTS**

D185,246	S	*	5/1959	Taran	.....	D24/211
D258,687	S	*	3/1981	Katsube	.....	601/107
D268,362	S	*	3/1983	Wong	.....	D21/399
D274,360	S	*	6/1984	Gomez	.....	D24/211
D276,823	S	*	12/1984	Mueller	.....	D20/10
D317,204	S	*	5/1991	Henneseey	.....	D24/211
5,020,182	A	*	6/1991	Engel	.....	A46B 7/04 15/104.94
D339,637	S	*	9/1993	Dudoit	.....	D24/211
D342,999	S	*	1/1994	Gonsalves, Jr.	.....	D24/147
D361,841	S	*	8/1995	Terashima	.....	D24/211
5,730,708	A		3/1998	Spratt		
D398,400	S	*	9/1998	Havelind	.....	D24/211
D402,764	S	*	12/1998	Chatfield	.....	D24/211
D403,431	S	*	12/1998	Gladieux, Jr.	.....	D24/215
5,862,564	A	*	1/1999	Hamm	.....	A47K 7/08 15/143.1
D405,536	S	*	2/1999	Haynes	.....	D24/214
D423,676	S	*	4/2000	Lazio	.....	D24/211

D444,566	S	*	7/2001	Thomas	.....	D24/214
D448,851	S	*	10/2001	Louis	.....	D24/211
D452,572	S	*	12/2001	Nakamura	.....	D24/200
D456,909	S	*	5/2002	Szabo	.....	D24/214

(Continued)

**OTHER PUBLICATIONS**

UMassage: Self Back Massager. Product description [online]. Resna Student Design Competition [retrieved on Feb. 15, 2017]. Retrieved from the Internet: <URL: <http://aac-rerc.psu.edu/wordpressmu/RESNA-SDC/2014/06/05/umassage-self-back-massager-university-of-north-carolina-at-chapel-hill/>>.

*Primary Examiner* — Cynthia Ramirez

*Assistant Examiner* — Michael A Maharajh

(74) *Attorney, Agent, or Firm* — Cramer Patent & Design, PLLC; Aaron R. Cramer

(57) **CLAIM**

The ornamental design for a massaging device, as shown and described.

**DESCRIPTION**

FIG. 1 is a perspective top front right view of a massaging device, fully extended, showing my new design;

FIG. 2 is a perspective top rear left view thereof of the massaging device, fully extended;

FIG. 3 is a perspective top front right view thereof, in a retracted state;

FIG. 4 is a perspective top rear left view thereof, in a retracted state;

FIG. 5 is a front elevation view thereof;

FIG. 6 is a rear elevation view thereof;

FIG. 7 is a right side elevation view thereof;

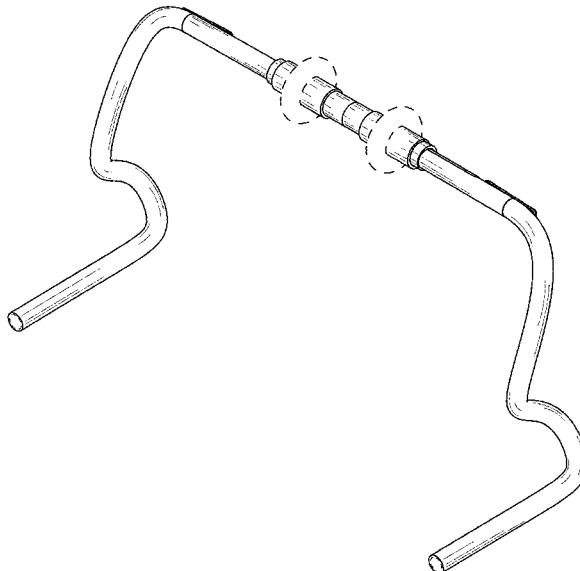
FIG. 8 is a left side elevation view thereof;

FIG. 9 is a top plan view thereof; and,

FIG. 10 is a bottom plan view thereof.

The broken line segments are intended to represent boundaries of the invention and form no part of the claimed design.

**1 Claim, 10 Drawing Sheets**



(56)

References Cited

U.S. PATENT DOCUMENTS

D461,009 S *	7/2002	Viner .....	D24/214	D750,796 S *	3/2016	Bains .....	D24/214
D590,510 S	4/2009	Johansen et al.		D767,157 S *	9/2016	Yu .....	D24/215
D613,416 S *	4/2010	Schupman .....	D24/200	D768,307 S *	10/2016	Hetzel .....	D24/214
D646,794 S *	10/2011	Hennessey .....	D24/214	D769,454 S *	10/2016	Hong .....	D24/215
D650,487 S *	12/2011	Briscoe .....	D24/211	D805,210 S *	12/2017	Leier .....	D24/211
D675,332 S *	1/2013	Tinder .....	D24/215	D815,575 S *	4/2018	Temmerman .....	D12/178
D689,620 S *	9/2013	Louis .....	D24/215	D830,926 S *	10/2018	Eade .....	B62K 21/125
D691,731 S *	10/2013	Grippio .....	A61H 39/04				D12/178
			D24/215	D833,634 S *	11/2018	Kramer .....	D24/211
D698,936 S *	2/2014	Pudhnum .....	D24/215	D844,513 S *	4/2019	Izaz .....	D12/178
D704,852 S *	5/2014	Yang .....	D24/211	2004/0249325 A1*	12/2004	Stultz .....	A61H 7/003
D712,563 S *	9/2014	Pursel .....	D24/214				601/135
D721,440 S *	1/2015	Pursel .....	A61H 7/003	2005/0187431 A1*	8/2005	Hudson .....	A61H 21/00
			D24/214				600/38
D722,174 S *	2/2015	Almarales .....	D24/214	2007/0287938 A1	12/2007	Shields	
D722,176 S *	2/2015	Gutman .....	D24/215	2012/0259257 A1	10/2012	Nelson	
D723,710 S *	3/2015	Ishibashi .....	D24/215	2014/0350445 A1	11/2014	Lok et al.	
D730,582 S *	5/2015	Lee .....	D28/91.2	2016/0022529 A1*	1/2016	Abdo .....	A61H 15/0092
D742,534 S *	11/2015	Bains .....	D24/214				601/119
D743,043 S *	11/2015	Cao .....	D24/215	2016/0166462 A1*	6/2016	Conder .....	A61H 39/04
D744,663 S *	12/2015	Holland .....	D24/211				601/84
				2017/0273855 A1*	9/2017	Liu .....	A61H 7/003

\* cited by examiner

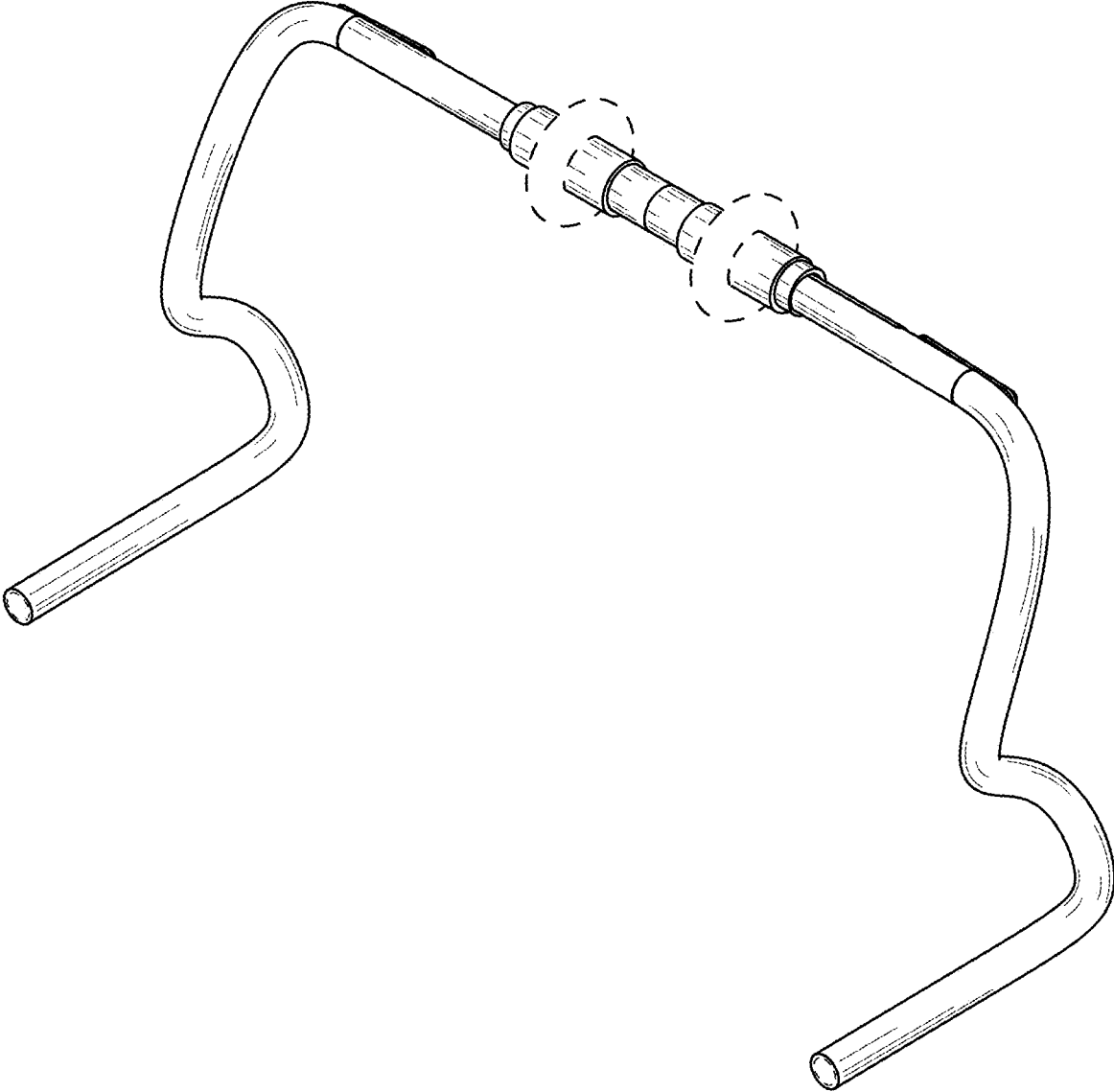


FIG. 1

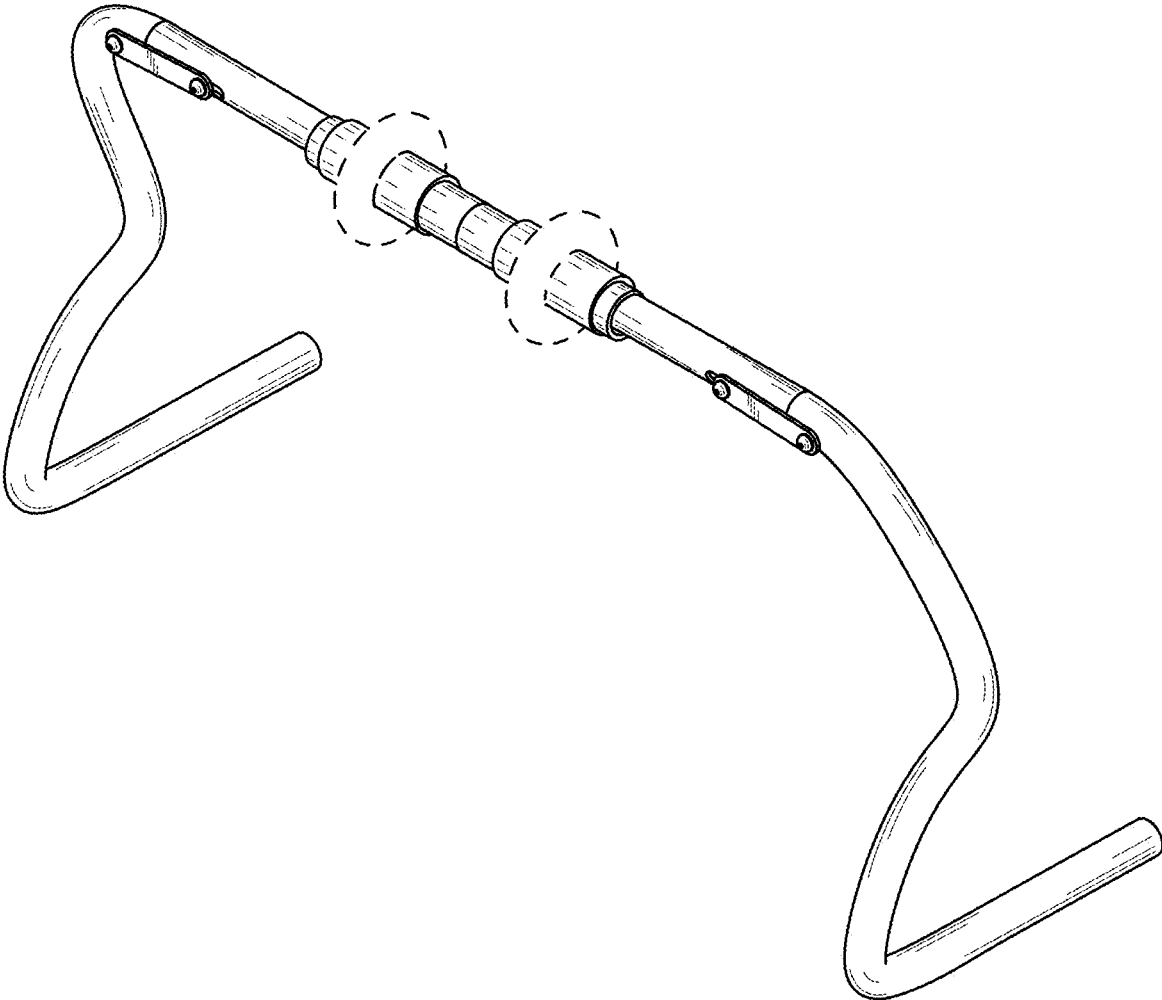


FIG. 2

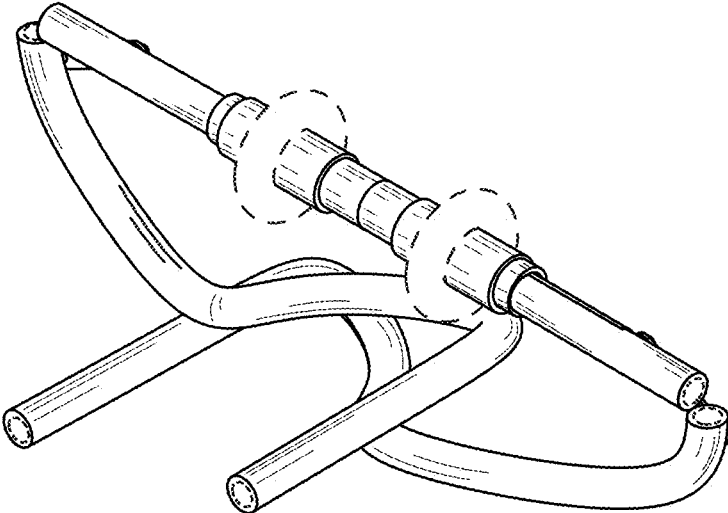


FIG. 3

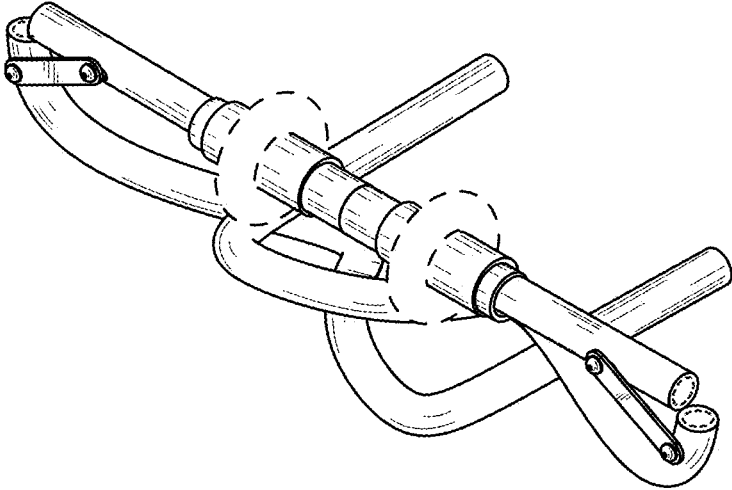


FIG. 4

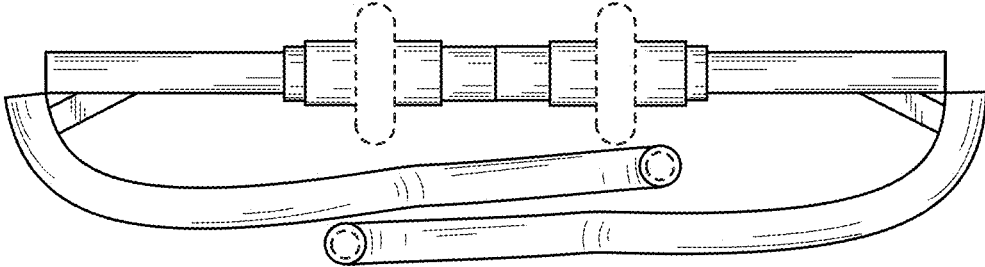


FIG. 5

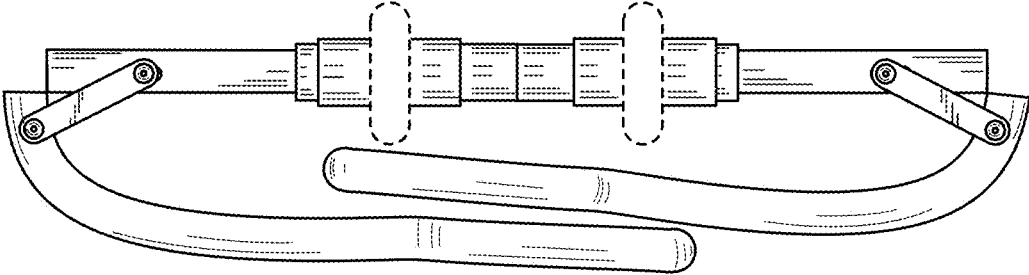


FIG. 6



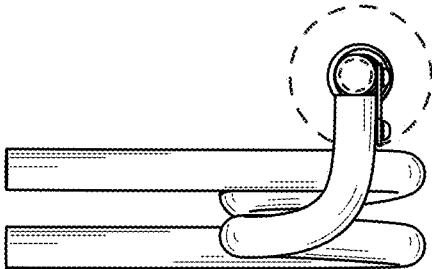


FIG. 7

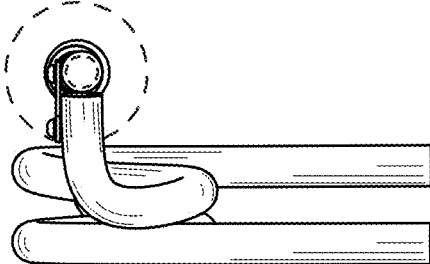


FIG. 8

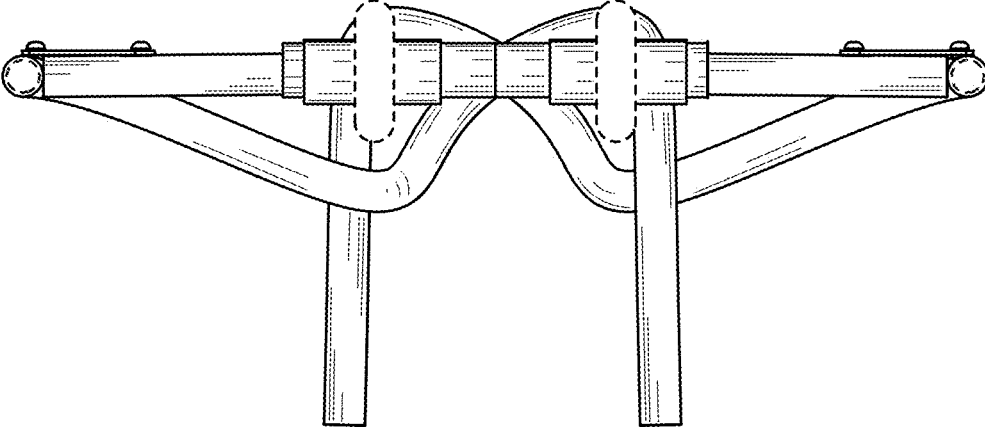


FIG. 9

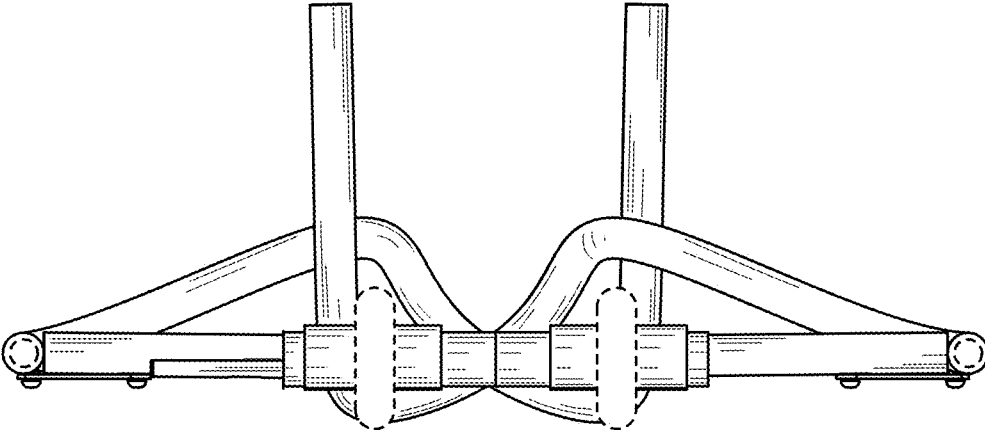


FIG. 10