



US00D820343S

(12) **United States Design Patent**
Dordick

(10) **Patent No.:** **US D820,343 S**

(45) **Date of Patent:** **** Jun. 12, 2018**

(54) **VIDEO BALLHEAD**

(71) Applicant: **Scott David Dordick**, La Verne, CA
(US)

(72) Inventor: **Scott David Dordick**, La Verne, CA
(US)

(**) Term: **15 Years**

(21) Appl. No.: **29/591,744**

(22) Filed: **Jan. 23, 2017**

(51) **LOC (11) Cl.** **16-05**

(52) **U.S. Cl.**
USPC **D16/242**

(58) **Field of Classification Search**
USPC D16/219, 237-250; D14/251, 253, 433,
D14/434; D8/354-356, 363, 367-371,
D8/373, 382-383, 394-396
CPC G03B 17/56; G03B 17/561-17/568; G02B
7/00-7/002; A45F 5/00; A45F 5/10; A45F
2200/0508-2200/0533

See application file for complete search history.

(56) **References Cited**

U.S. PATENT DOCUMENTS

D245,988 S *	10/1977	Miller	D16/245
D292,982 S *	12/1987	Nakatani	D16/245
D467,605 S *	12/2002	Dordick	D16/242
D483,788 S *	12/2003	Dordick	D16/242
D484,168 S *	12/2003	Dordick	D16/242
D564,010 S *	3/2008	Dordick	D16/242
D564,567 S *	3/2008	Dordick	D16/242
D596,658 S *	7/2009	Dordick	D16/242
D603,442 S *	11/2009	Dordick	D16/242
D630,240 S *	1/2011	Torbitt	D16/245
D653,692 S *	2/2012	Dordick	D16/242

D771,733 S *	11/2016	Wang	D16/242
D773,551 S *	12/2016	Clearman	D16/242
D780,827 S *	3/2017	Costa	D16/242
D797,179 S *	9/2017	Dordick	D16/245
D799,581 S *	10/2017	Lin	D16/242

OTHER PUBLICATIONS

Video Ballhead. [online] Published on Dec. 18, 2015. Retrieved Nov. 15, 2017 from URL: <https://www.acratech.net/video-products/video-head/video-ballhead/>.*

Cullmann Concept One OH4. [online] Published on May 28, 2015. Retrieved Nov. 15, 2017 from URL: http://www.amateurphotographer.co.uk/review/accessory_reviews/cullmann-concept-one-oh4-5v-hybrid-ball-head-review-52234.*

* cited by examiner

Primary Examiner — Vy N Koenig

(57) **CLAIM**

The ornamental design for a video ballhead, as shown and described.

DESCRIPTION

FIG. 1 is a right side perspective view of a video ballhead showing my new design;

FIG. 2 is a left side perspective view thereof;

FIG. 3 is a bottom perspective view thereof;

FIG. 4 is a right side elevation view thereof;

FIG. 5 is a left side elevation view thereof;

FIG. 6 is a rear elevation view thereof;

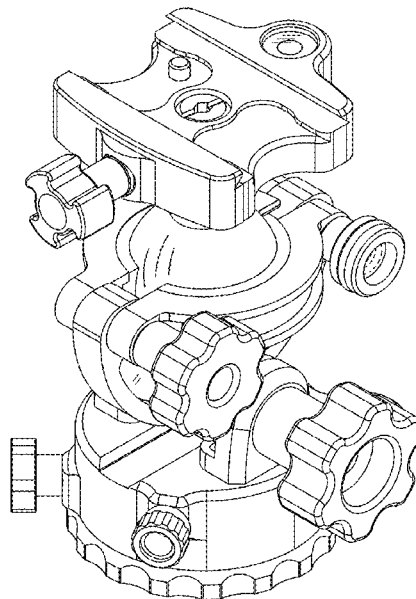
FIG. 7 is a front elevation view thereof;

FIG. 8 is a top plan view thereof; and,

FIG. 9 is a bottom plan view thereof.

The broken lines shown in the drawings represent portions of the video ballhead that form no part of the claimed design.

1 Claim, 9 Drawing Sheets



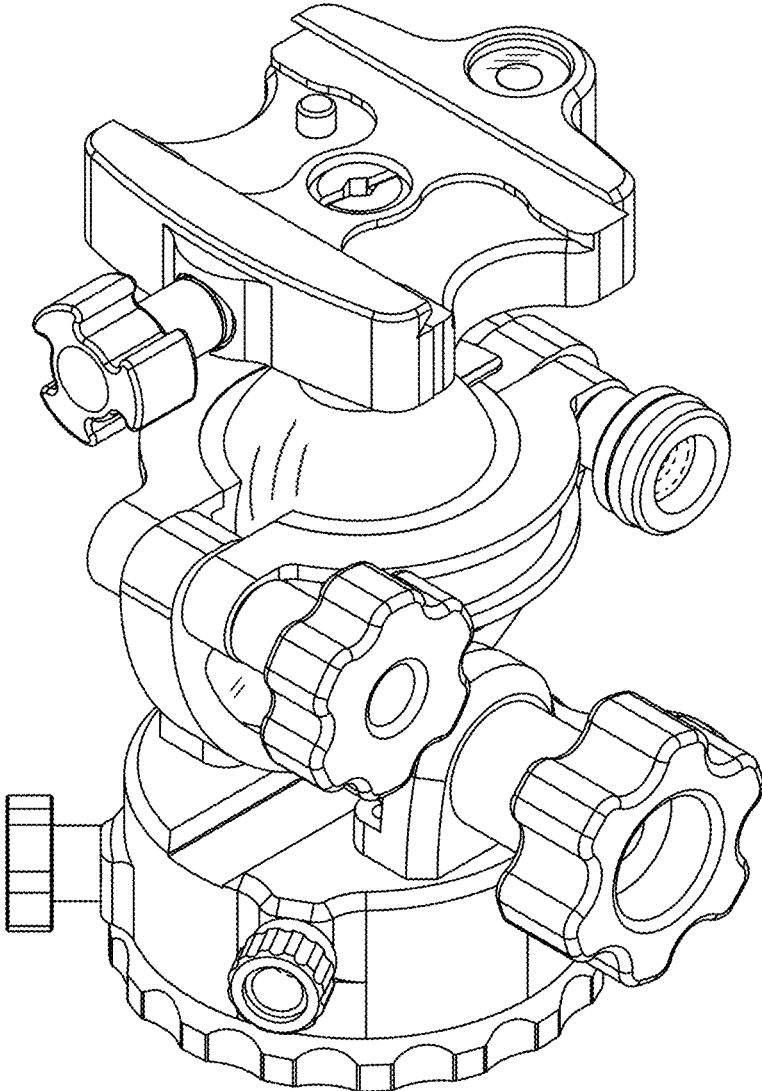


FIG. 1

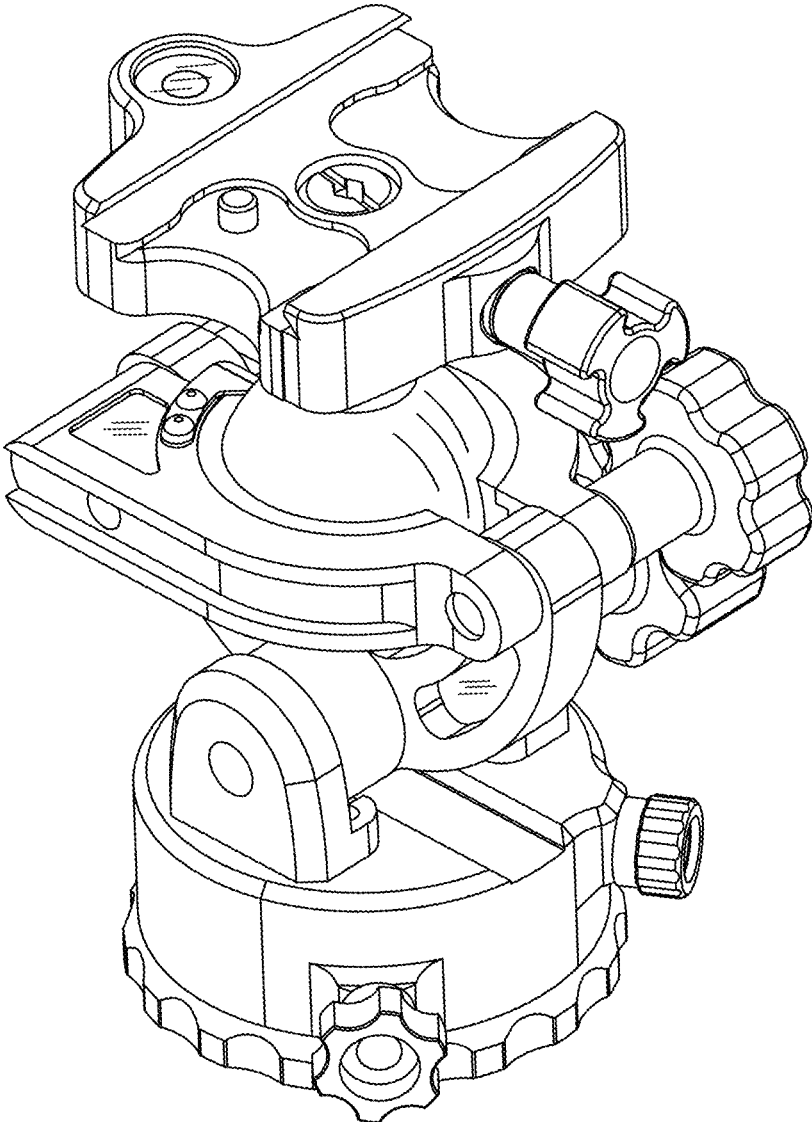


FIG. 2

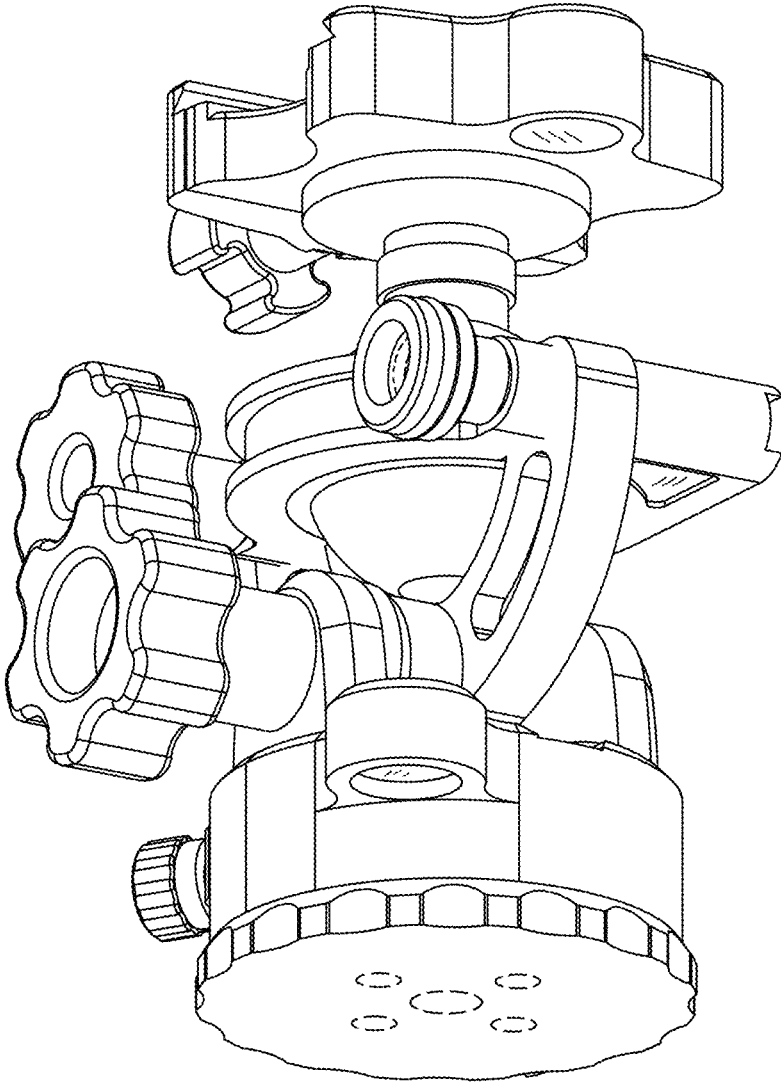


FIG. 3

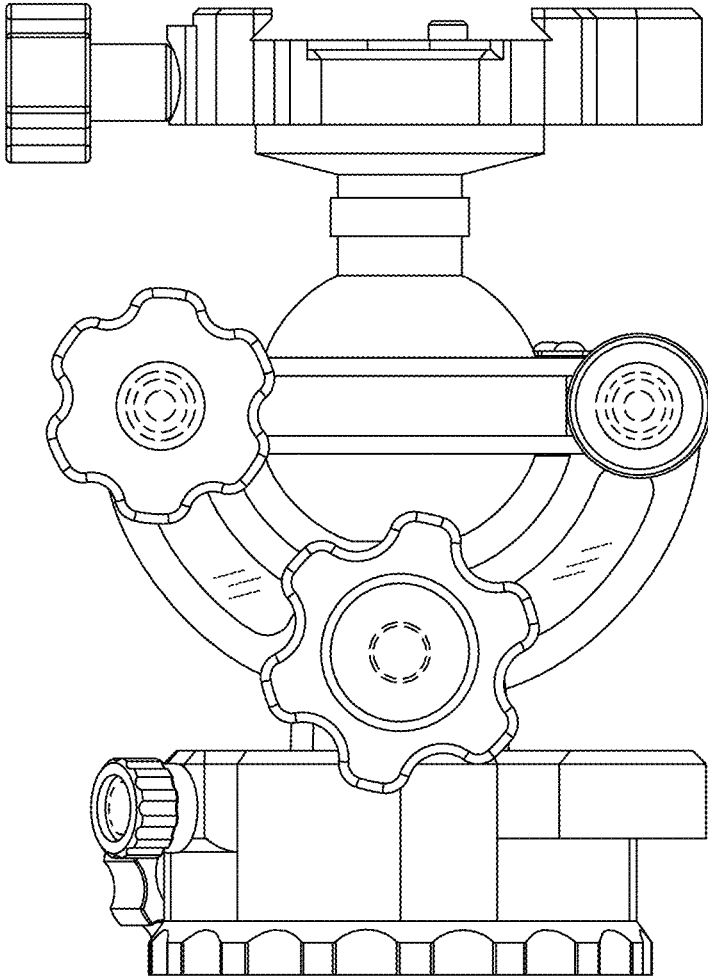


FIG. 4

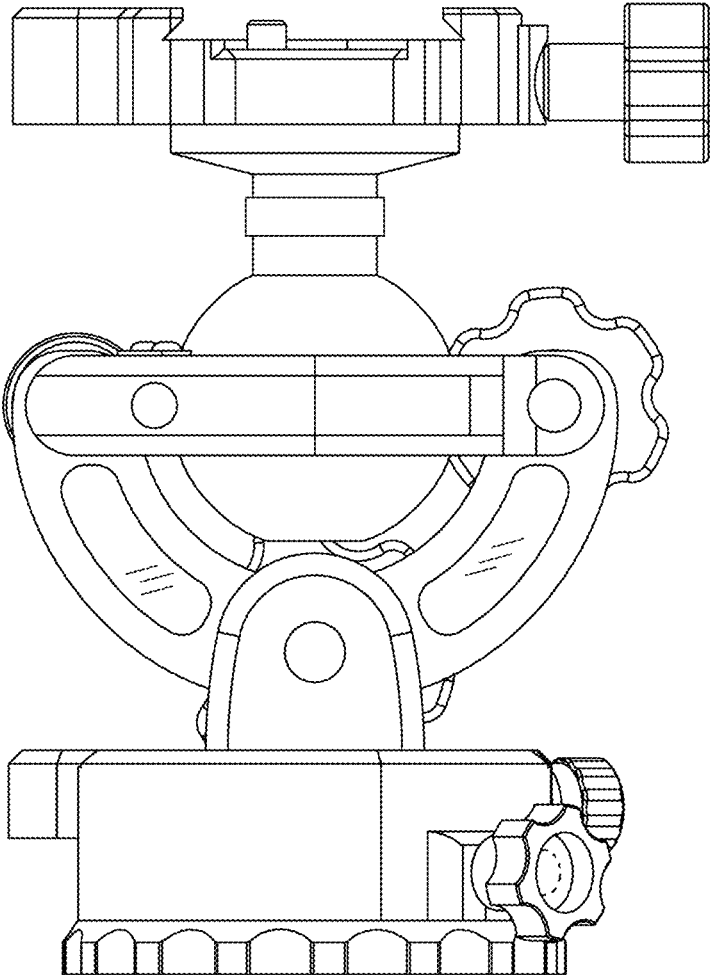


FIG. 5

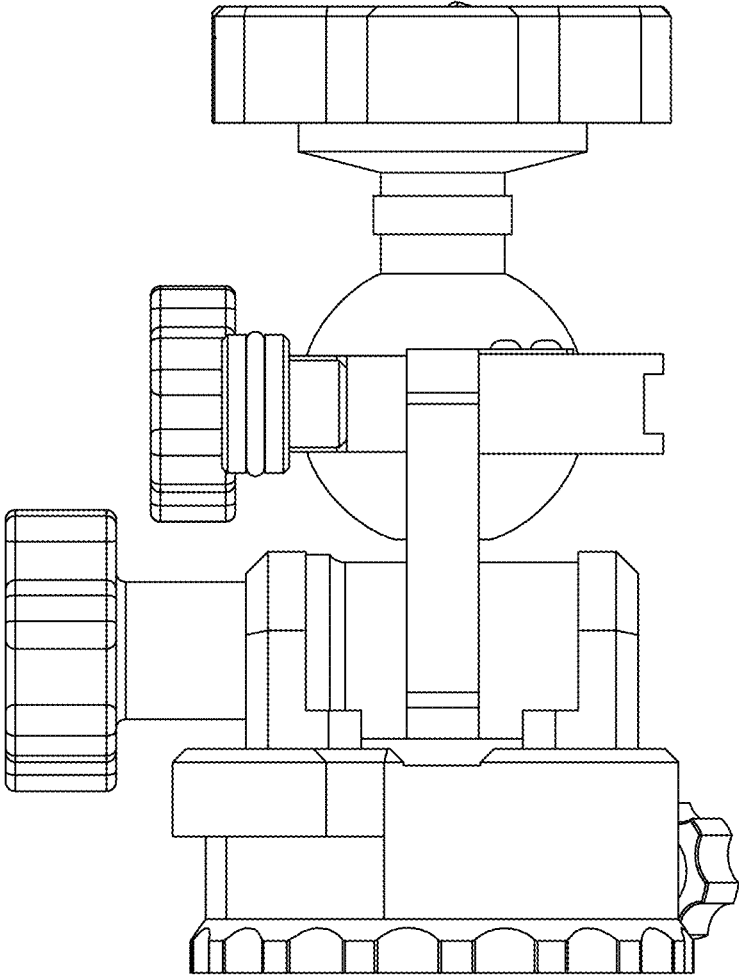


FIG. 6

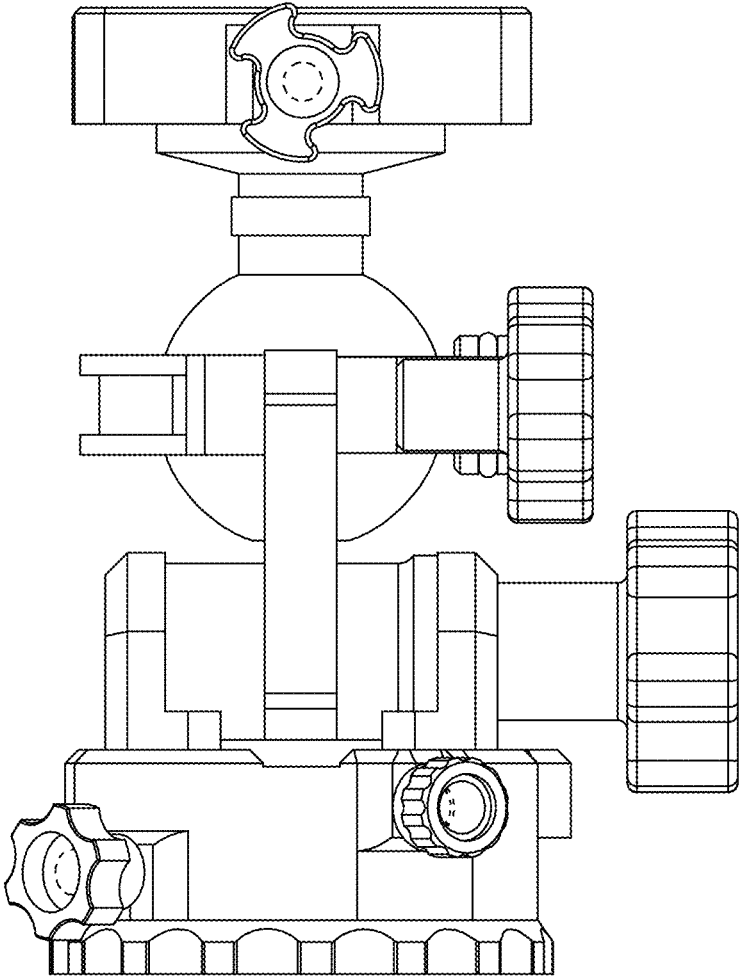


FIG. 7

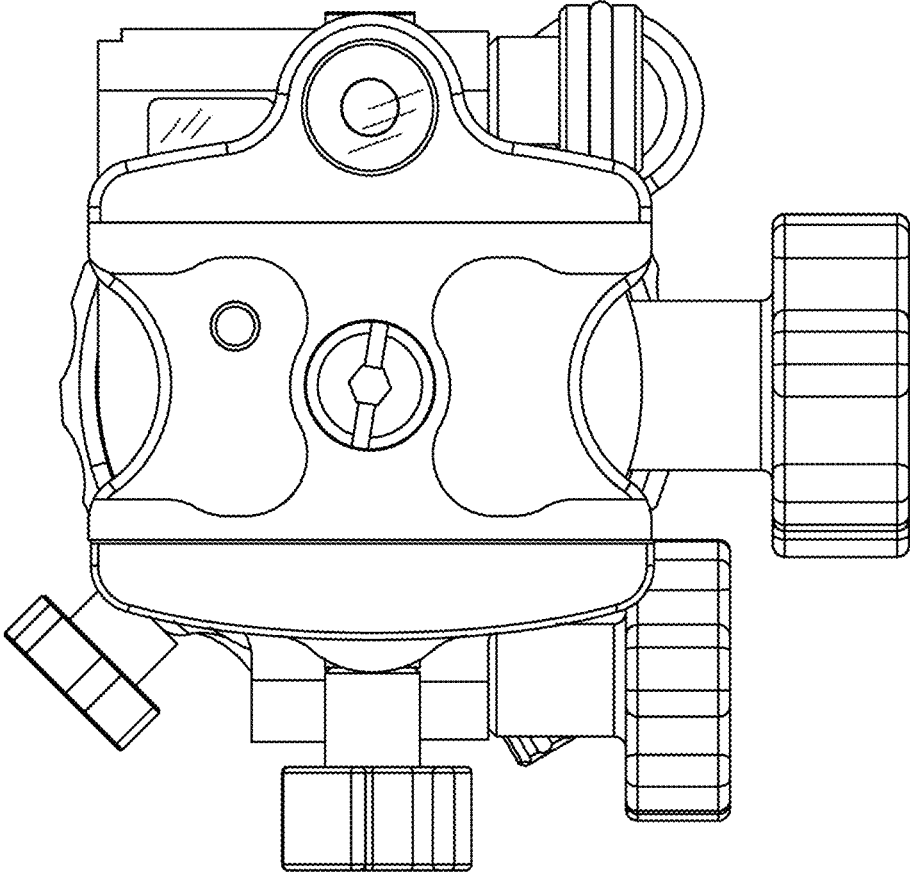


FIG. 8

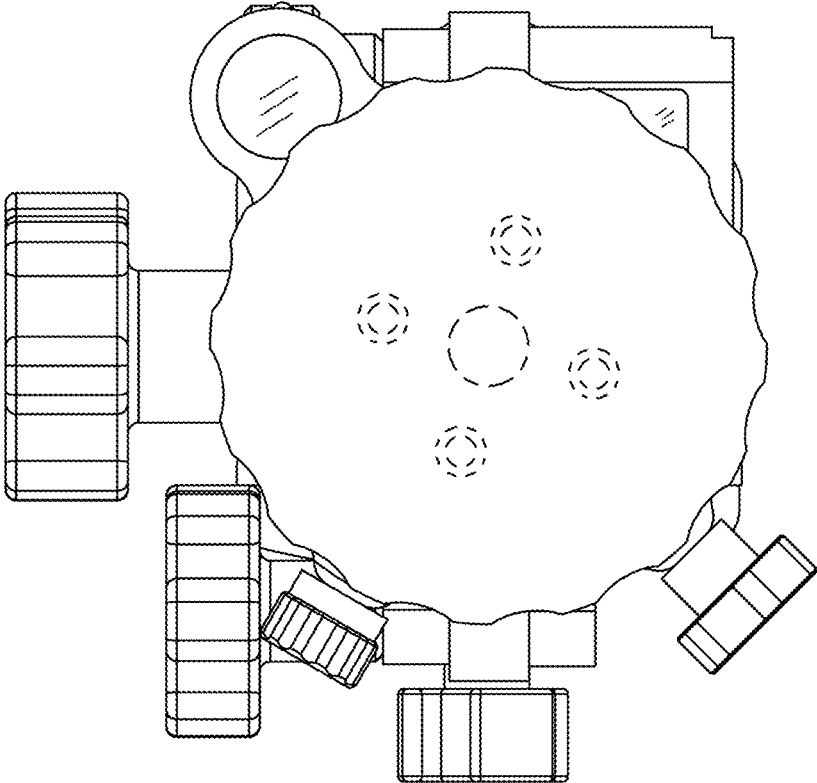


FIG. 9