



US00D468397S

(12) **United States Design Patent** (10) **Patent No.:** **US D468,397 S**
Czerwinski, Jr. (45) **Date of Patent:** **** Jan. 7, 2003**

(54) **FAUCET**
(75) **Inventor:** **Jerome F. Czerwinski, Jr.,** Long Beach, CA (US)
(73) **Assignee:** **Emhart LLC,** Newark, DE (US)
(**) **Term:** **14 Years**
(21) **Appl. No.:** **29/140,852**
(22) **Filed:** **Apr. 26, 2001**
(51) **LOC (7) Cl.** **23-01**
(52) **U.S. Cl.** **D23/238**
(58) **Field of Search** D23/238-243, D23/250-257; 4/675-678; 137/801

D396,268 S 7/1998 Snyder
D406,323 S 3/1999 Snyder
D414,847 S 10/1999 Snyder
D415,560 S 10/1999 Lindholm
D420,726 S 2/2000 Slothower et al.
D426,622 S 6/2000 Mark et al.
D426,873 S 6/2000 Milrud et al.
D428,965 S * 8/2000 Slothower D23/238
D438,289 S 2/2001 Mark et al.
D438,602 S 3/2001 Milrud et al.
D438,934 S 3/2001 Mark et al.

* cited by examiner

Primary Examiner—Louis S. Zarfaz
Assistant Examiner—Gregory Andoll
(74) *Attorney, Agent, or Firm*—Richard J. Veltman; John D. DeI Ponti

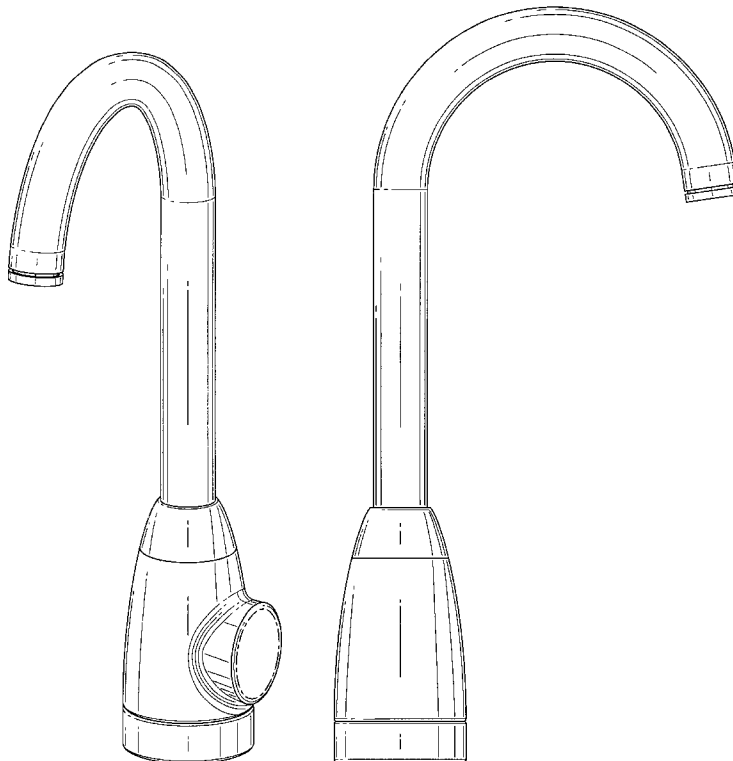
(56) **References Cited**
U.S. PATENT DOCUMENTS
D280,010 S 8/1985 Miller et al.
D287,747 S 1/1987 Miller et al.
D295,551 S 5/1988 Yost
D314,813 S 2/1991 Jans
D327,529 S 6/1992 Dannenberg
D327,944 S 7/1992 Stairs, Jr. et al.
D328,782 S 8/1992 Paterson et al.
D329,083 S 9/1992 Dannenberg
D331,275 S * 11/1992 Knapp D23/238
D352,095 S 11/1994 Bollenbacher
D361,825 S 8/1995 Mine
D375,149 S 10/1996 Robbins
D377,517 S 1/1997 Doughty et al.
D384,134 S 9/1997 Robbins

(57) **CLAIM**
The ornamental design for a faucet, as shown and described.

DESCRIPTION

FIG. 1 is a perspective view of the new design for a faucet; FIG. 2 is a front elevational view of the new design for a faucet; FIG. 3 is a right side elevational view of the new design for a faucet; FIG. 4 is a left side elevational view of the new design for a faucet; FIG. 5 is a top plan view of the new design for a faucet; and, FIG. 6 is a bottom plan view of the new design for a faucet.

1 Claim, 5 Drawing Sheets



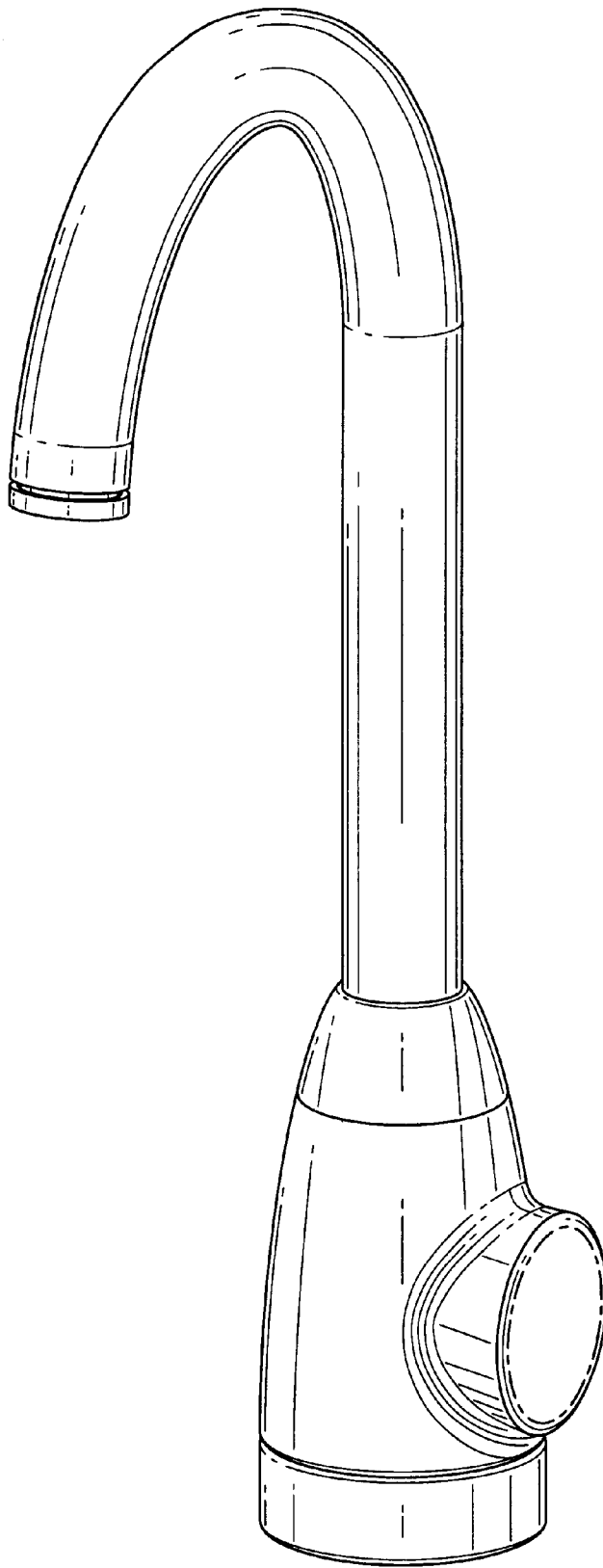


FIG. 1

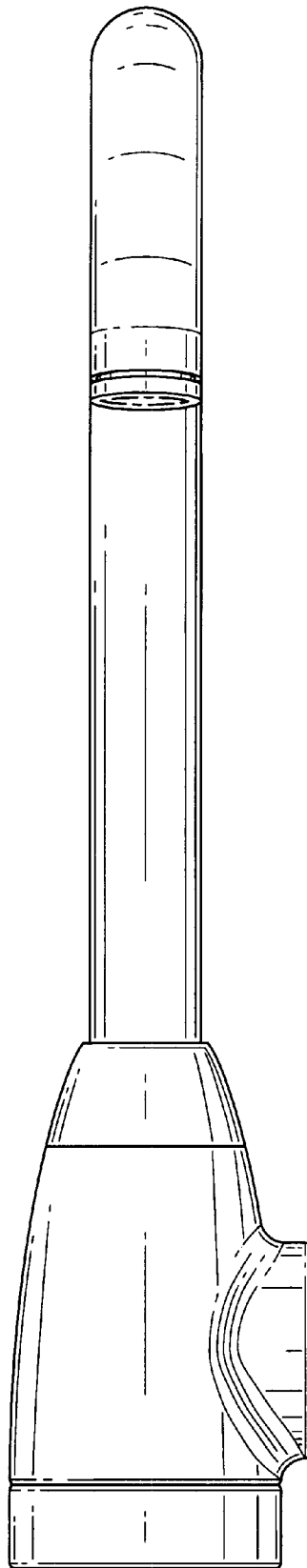


FIG. 2

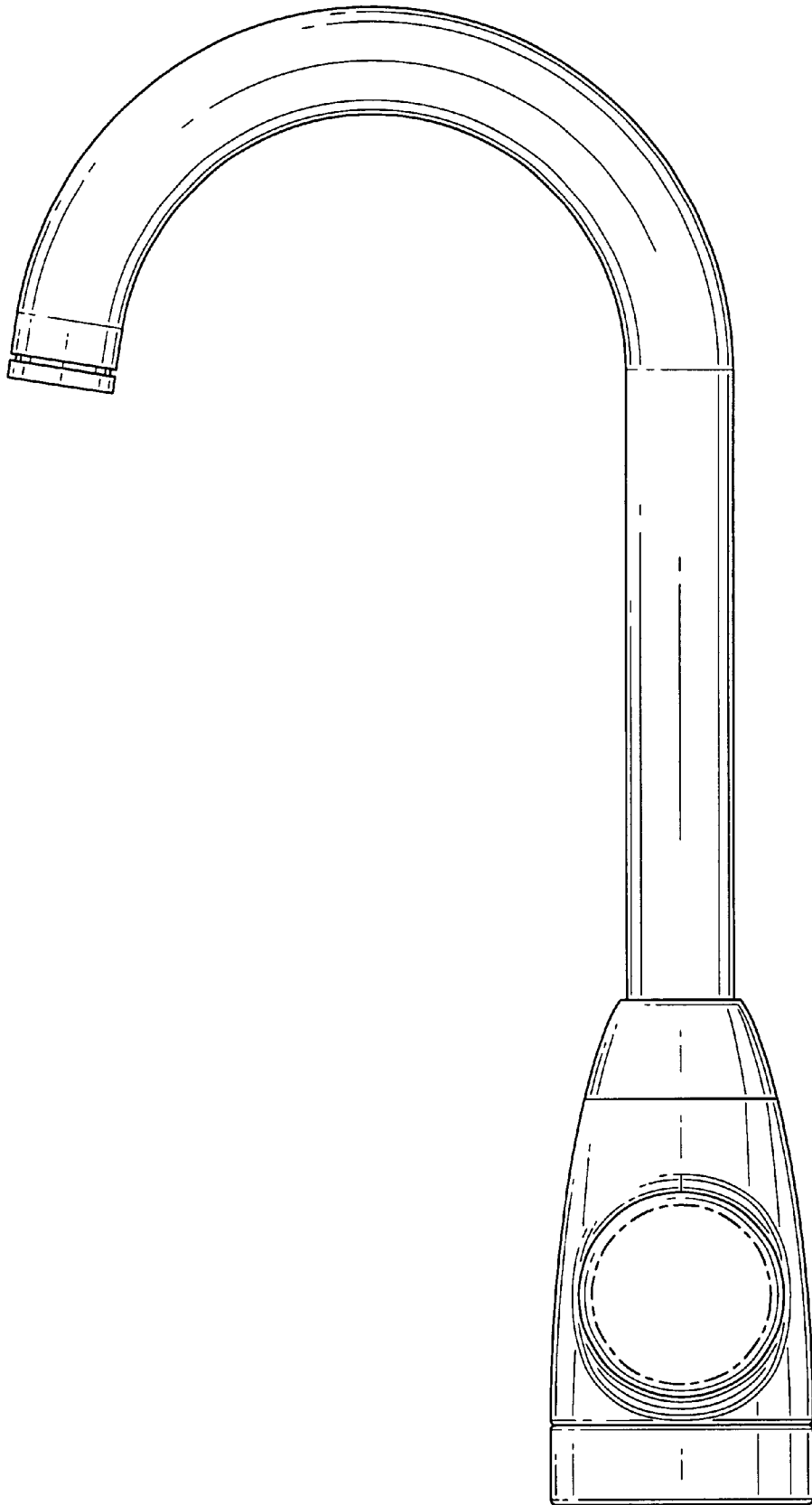


FIG. 3

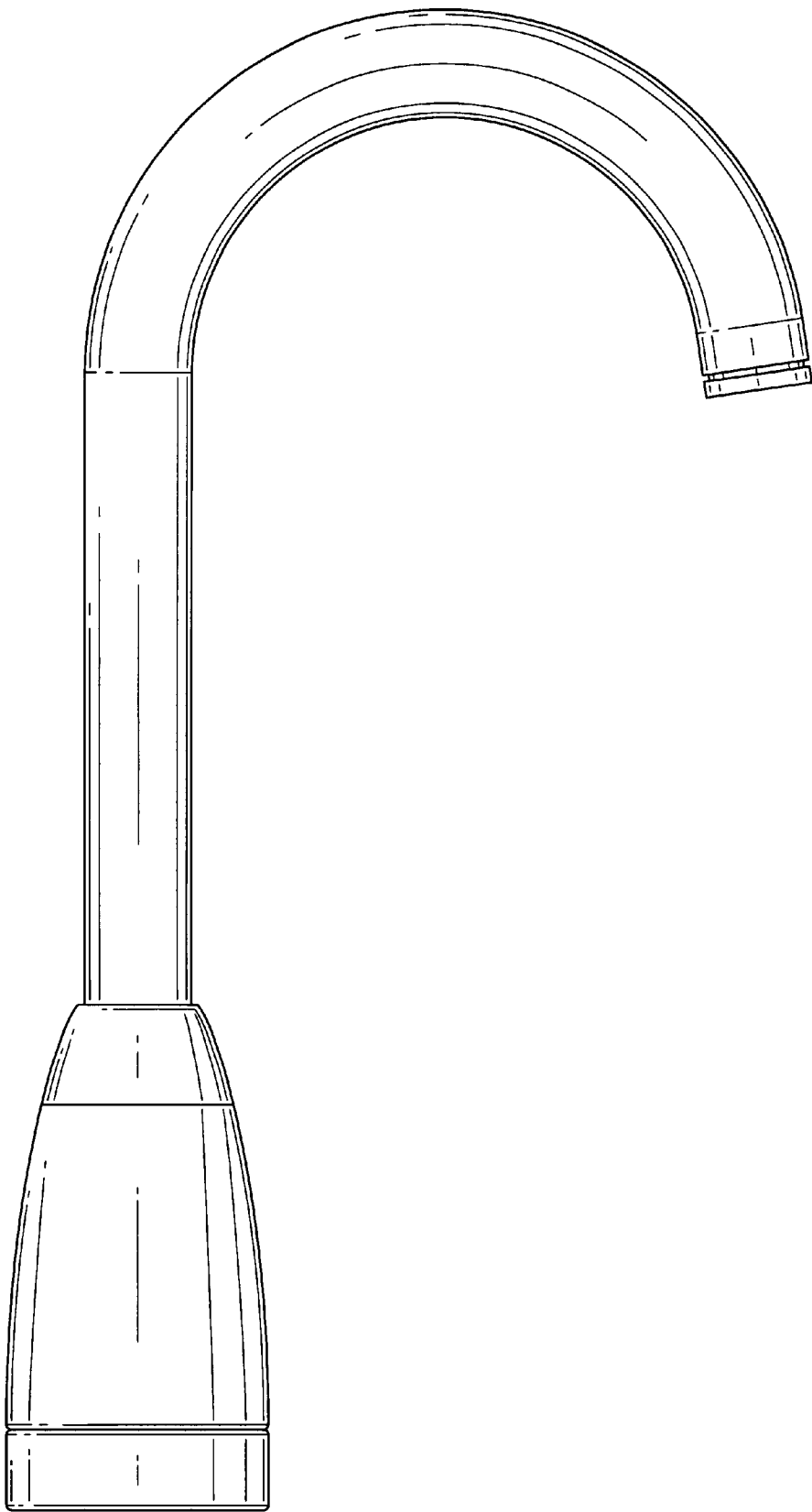


FIG. 4

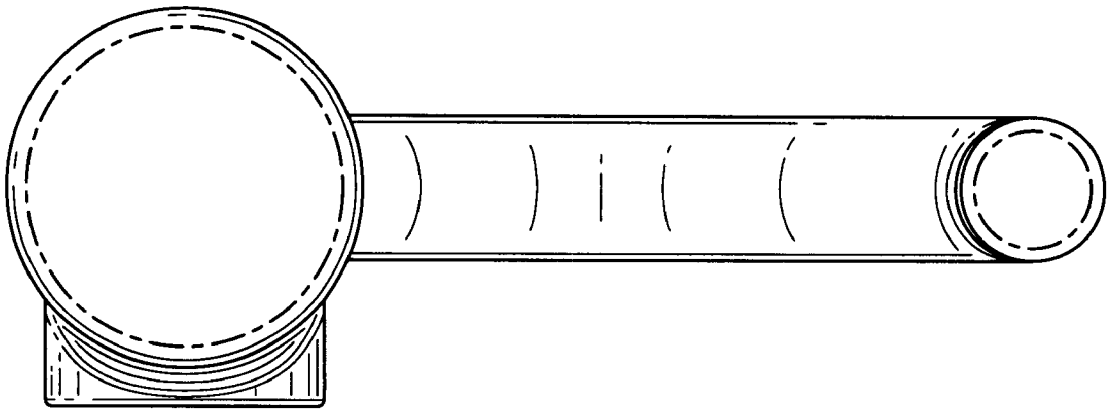


FIG. 6

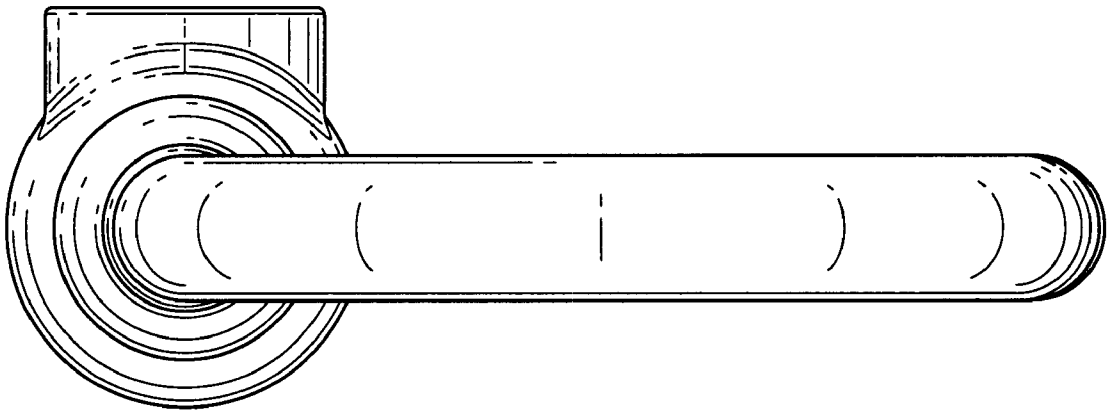


FIG. 5