

(19) World Intellectual Property Organization
International Bureau



(43) International Publication Date
25 March 2010 (25.03.2010)

(10) International Publication Number
WO 2010/032063 A3

(51) International Patent Classification:
F24J 2/24 (2006.01)

(21) International Application Number:
PCT/GB2009/051221

(22) International Filing Date:
18 September 2009 (18.09.2009)

(25) Filing Language: English

(26) Publication Language: English

(30) Priority Data:
0817173.8 19 September 2008 (19.09.2008) GB

(72) Inventor; and

(71) Applicant : BANKART, Richard, David [GB/GB]; 87 Stockwell Park Road, London SW9 0DB (GB).

(74) Agent: IP21 LTD; Norwich Research Park, Colney, Norwich, Norfolk NR4 7UT (GB).

(81) Designated States (unless otherwise indicated, for every kind of national protection available): AE, AG, AL, AM, AO, AT, AU, AZ, BA, BB, BG, BH, BR, BW, BY, BZ, CA, CH, CL, CN, CO, CR, CU, CZ, DE, DK, DM, DO, DZ, EC, EE, EG, ES, FI, GB, GD, GE, GH, GM, GT, HN, HR, HU, ID, IL, IN, IS, JP, KE, KG, KM, KN, KP,

KR, KZ, LA, LC, LK, LR, LS, LT, LU, LY, MA, MD, ME, MG, MK, MN, MW, MX, MY, MZ, NA, NG, NI, NO, NZ, OM, PE, PG, PH, PL, PT, RO, RS, RU, SC, SD, SE, SG, SK, SL, SM, ST, SV, SY, TJ, TM, TN, TR, TT, TZ, UA, UG, US, UZ, VC, VN, ZA, ZM, ZW.

(84) Designated States (unless otherwise indicated, for every kind of regional protection available): ARIPO (BW, GH, GM, KE, LS, MW, MZ, NA, SD, SL, SZ, TZ, UG, ZM, ZW), Eurasian (AM, AZ, BY, KG, KZ, MD, RU, TJ, TM), European (AT, BE, BG, CH, CY, CZ, DE, DK, EE, ES, FI, FR, GB, GR, HR, HU, IE, IS, IT, LT, LU, LV, MC, MK, MT, NL, NO, PL, PT, RO, SE, SI, SK, SM, TR), OAPI (BF, BJ, CF, CG, CI, CM, GA, GN, GQ, GW, ML, MR, NE, SN, TD, TG).

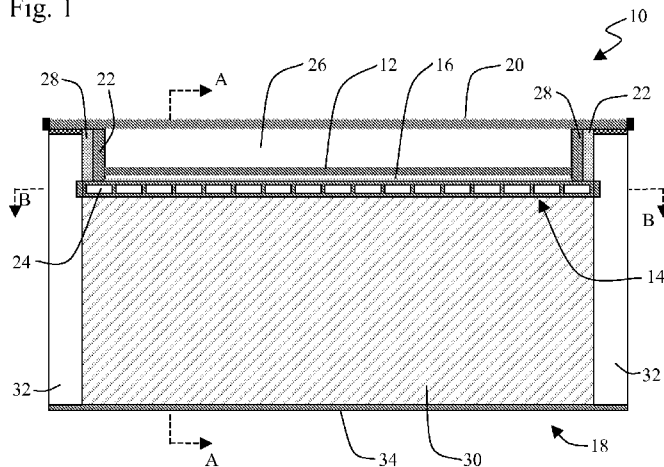
Published:

- with international search report (Art. 21(3))
- before the expiration of the time limit for amending the claims and to be republished in the event of receipt of amendments (Rule 48.2(h))

(88) Date of publication of the international search report:
2 September 2010

(54) Title: SUPPORTING FRAME FOR CONSTRUCTING A BUILDING INCLUDING A THERMAL PANEL AND A PHOTOVOLTAIC PANEL

Fig. 1



(57) Abstract: Accordingly, this invention provides a method for constructing a building, the method comprising: (i) providing a supporting framework; (ii) providing at least one power generation member (10), the power generation member (10) comprising, in a discrete unit, a first layer and a second layer, wherein the first layer comprises support material (30, 32, 34) and the second layer comprises at least one energy converter for converting solar energy into heat and/or electricity (12, 14); and (iii) attaching the power generation member (10) to the framework such that the power generation member (10) is substantially self supporting and provides an outer surface of the building.

WO 2010/032063 A3

INTERNATIONAL SEARCH REPORT

International application No

PCT/GB2009/051221

A. CLASSIFICATION OF SUBJECT MATTER INV. F24J2/24 ADD.		
According to International Patent Classification (IPC) or to both national classification and IPC		
B. FIELDS SEARCHED Minimum documentation searched (classification system followed by classification symbols) F24J H01L E04D		
Documentation searched other than minimum documentation to the extent that such documents are included in the fields searched		
Electronic data base consulted during the international search (name of data base and, where practical, search terms used) EPO-Internal, PAJ, WPI Data		
C. DOCUMENTS CONSIDERED TO BE RELEVANT		
Category*	Citation of document, with indication, where appropriate, of the relevant passages	Relevant to claim No.
X	WO 2008/037016 A1 (PODS HOLDINGS PTY LTD B [AU]; MITCHELL KEITH [AU]; BRAAT SEBASTIAN [AU]) 3 April 2008 (2008-04-03)	1,2,4-12
Y	pages 14-15; figures -----	3
X	WO 2008/106565 A2 (ADRIANI PAUL M [US]; SCHOLZ JEREMY H [US]; ROSCHEISEN MARTIN R [US]; C) 4 September 2008 (2008-09-04)	13-16
X	WO 03/085329 A1 (HELLMANN NEIL CHRISTOPHER [ZA]) 16 October 2003 (2003-10-16)	13-16
Y	the whole document ----- EP 0 828 036 A2 (CANON KK [JP]) 11 March 1998 (1998-03-11)	3
	columns 9,10; figures ----- -/--	
<input checked="" type="checkbox"/> Further documents are listed in the continuation of Box C. <input checked="" type="checkbox"/> See patent family annex.		
* Special categories of cited documents : *A* document defining the general state of the art which is not considered to be of particular relevance *E* earlier document but published on or after the international filing date *L* document which may throw doubts on priority claim(s) or which is cited to establish the publication date of another citation or other special reason (as specified) *O* document referring to an oral disclosure, use, exhibition or other means *P* document published prior to the international filing date but later than the priority date claimed *T* later document published after the international filing date or priority date and not in conflict with the application but cited to understand the principle or theory underlying the invention *X* document of particular relevance; the claimed invention cannot be considered novel or cannot be considered to involve an inventive step when the document is taken alone *Y* document of particular relevance; the claimed invention cannot be considered to involve an inventive step when the document is combined with one or more other such documents, such combination being obvious to a person skilled in the art. *&* document member of the same patent family		
Date of the actual completion of the international search 13 July 2010		Date of mailing of the international search report 19/07/2010
Name and mailing address of the ISA/ European Patent Office, P.B. 5818 Patentlaan 2 NL - 2280 HV Rijswijk Tel. (+31-70) 340-2040, Fax: (+31-70) 340-3016		Authorized officer Ferro Pozo, José

INTERNATIONAL SEARCH REPORT

International application No

PCT/GB2009/051221

C(Continuation). DOCUMENTS CONSIDERED TO BE RELEVANT		
Category*	Citation of document, with indication, where appropriate, of the relevant passages	Relevant to claim No.
Y	US 5 968 287 A (NATH PREM [US]) 19 October 1999 (1999-10-19) figures	3
X	US 2006/086382 A1 (PLAISTED JOSHUA R [US]) 27 April 2006 (2006-04-27) paragraphs [0017], [0018], [0019]	9-12
X	US 6 336 304 B1 (MIMURA TOSHIHIKO [JP] ET AL) 8 January 2002 (2002-01-08) * abstract; figure 2a	1
X	WO 2008/020462 A1 (DE NARDIS MAURIZIO [IT]) 21 February 2008 (2008-02-21) figures 1,7	1,2 3-7
X	WO 2007/030732 A2 (STRAKA CHRISTOPHER W [US]) 15 March 2007 (2007-03-15) * abstract; figure 2a	1
X	WO 2008/073905 A2 (SUNMODULAR INC [US]; CORRALES EUGENIA M [US]; BRILLHART MARK [US]; COR) 19 June 2008 (2008-06-19) the whole document	1,2 3-7
X	DE 203 12 719 U1 (SCHULTE GERHARD [DE]) 22 April 2004 (2004-04-22) figures	1,2
X	JP 11 036541 A (SEKISUI HOUSE KK) 9 February 1999 (1999-02-09) figures	1,2 3-12
X	JP 2001 098703 A (KANEGAFUCHI CHEMICAL IND) 10 April 2001 (2001-04-10) figures	1,2 3-12
X	WO 96/38695 A1 (BRESLIN PATRICK W [US]) 5 December 1996 (1996-12-05) figures	13-16
X	DE 25 35 581 A1 (SOLAR WATER HEATERS LTD) 26 February 1976 (1976-02-26) figures	13-16
X	US 4 031 881 A (THIEL HEINZ E P) 28 June 1977 (1977-06-28) * abstract; figures	13-16

INTERNATIONAL SEARCH REPORT

Information on patent family members

International application No

PCT/GB2009/051221

Patent document cited in search report	Publication date	Patent family member(s)	Publication date	
WO 2008037016	A1	03-04-2008	AU 2007302616 A1	03-04-2008
			CA 2664610 A1	03-04-2008
			EP 2069586 A1	17-06-2009
			JP 2010505049 T	18-02-2010
			US 2010018569 A1	28-01-2010
WO 2008106565	A2	04-09-2008	US 2008289682 A1	27-11-2008
			US 2008289681 A1	27-11-2008
WO 03085329	A1	16-10-2003	AU 2003214527 A1	20-10-2003
EP 0828036	A2	11-03-1998	AU 732413 B2	26-04-2001
			AU 3611897 A	05-03-1998
			DE 69737133 T2	04-10-2007
			JP 10072910 A	17-03-1998
			US 6155006 A	05-12-2000
US 5968287	A	19-10-1999	NONE	
US 2006086382	A1	27-04-2006	NONE	
US 6336304	B1	08-01-2002	NONE	
WO 2008020462	A1	21-02-2008	AU 2007285357 A1	21-02-2008
			CA 2660817 A1	21-02-2008
			CN 101501869 A	05-08-2009
			EP 2057691 A1	13-05-2009
WO 2007030732	A2	15-03-2007	US 2007056579 A1	15-03-2007
WO 2008073905	A2	19-06-2008	AU 2007333183 A1	19-06-2008
			EP 2102915 A2	23-09-2009
DE 20312719	U1	22-04-2004	NONE	
JP 11036541	A	09-02-1999	NONE	
JP 2001098703	A	10-04-2001	NONE	
WO 9638695	A1	05-12-1996	AU 5795396 A	18-12-1996
			US 5645045 A	08-07-1997
DE 2535581	A1	26-02-1976	NONE	
US 4031881	A	28-06-1977	NONE	