



US0D1020623S

(12) **United States Design Patent**  
**Hong**

(10) **Patent No.:** **US D1,020,623 S**

(45) **Date of Patent:** **\*\* Apr. 2, 2024**

(54) **CHARGER**

(71) Applicant: **Shaohua Hong**, Nan'an (CN)

(72) Inventor: **Shaohua Hong**, Nan'an (CN)

(\*\*) Term: **15 Years**

(21) Appl. No.: **29/816,343**

(22) Filed: **Nov. 22, 2021**

(51) **LOC (14) Cl.** ..... **13-02**

(52) **U.S. Cl.**  
USPC ..... **D13/107**

(58) **Field of Classification Search**

USPC ..... D13/107, 108, 110, 112, 118, 122, 184,  
D13/199; D14/251, 253, 432, 434, 447  
CPC .... H02J 7/025; H02J 7/005; H02J 7/02; H02J  
7/0026; H02J 7/0042; H02J 7/0044; H02J  
7/0045; H02J 7/0013; H02J 7/0003; H02J  
7/00; H02J 7/10; H02J 7/12; H02J 7/80

See application file for complete search history.

(56) **References Cited**

U.S. PATENT DOCUMENTS

D349,097	S	*	7/1994	Watanabe	.....	D13/108
D369,344	S	*	4/1996	Lindeman	.....	D13/108
D388,764	S	*	1/1998	Bartling	.....	D13/107
D427,966	S	*	7/2000	Foster	.....	D13/107
D600,203	S	*	9/2009	Woon	.....	D13/107
D600,204	S	*	9/2009	Woon	.....	D13/107
D758,306	S	*	6/2016	Collé	.....	D13/108
D813,806	S	*	3/2018	Ito	.....	D13/108
D884,610	S	*	5/2020	Heath	.....	D13/107
D896,748	S	*	9/2020	Fonzo	.....	D13/107
D946,505	S	*	3/2022	Birkholz	.....	D13/107
2009/0295328	A1	*	12/2009	Griffin, Jr.	.....	H02J 7/0044 455/113
2014/0084865	A1	*	3/2014	Yeh	.....	H02J 7/0044 320/110

FOREIGN PATENT DOCUMENTS

CN	307222606	*	4/2022
CN	307411850	*	6/2022
CN	308291699	*	10/2023

OTHER PUBLICATIONS

"Yaesu SBH-11 Charging Cradle for FTA-450 / 550 / 750 / 850",  
reviewed on Aug. 8, 2022. MarvGolden.com [https://marvgolden.com/yaesu-sbh-11-charging-cradle-for-fta-450-550-750-850/](Year: 2022).\*

\* cited by examiner

*Primary Examiner* — Rosemary K Tarcza  
*Assistant Examiner* — Seth David Kumpf

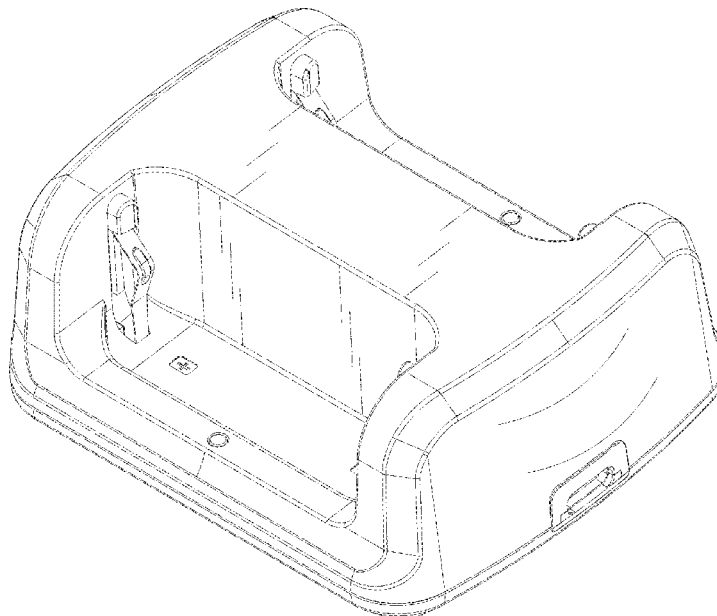
(57) **CLAIM**

The ornamental design for a charger, as shown and described.

**DESCRIPTION**

FIG. 1 is a front elevational view of a charger showing my new design;  
FIG. 2 is a rear elevational view thereof;  
FIG. 3 is a left side view thereof;  
FIG. 4 is a right side view thereof;  
FIG. 5 is a top plan view thereof;  
FIG. 6 is a bottom plan view thereof; and,  
FIG. 7 is a perspective view thereof.  
The broken lines illustrate portions of the charger that form no part of the claimed design.

**1 Claim, 7 Drawing Sheets**



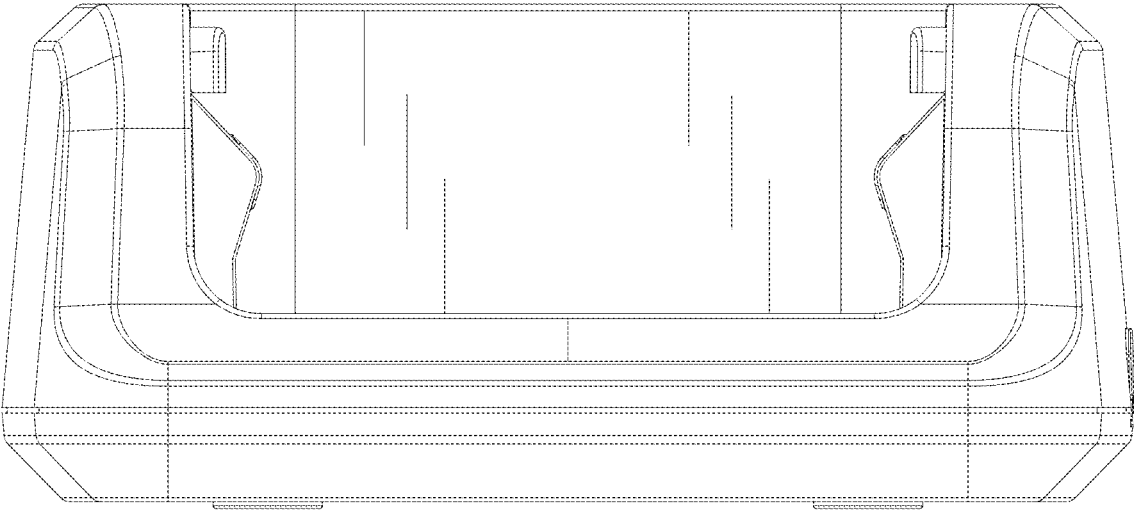


FIG. 1

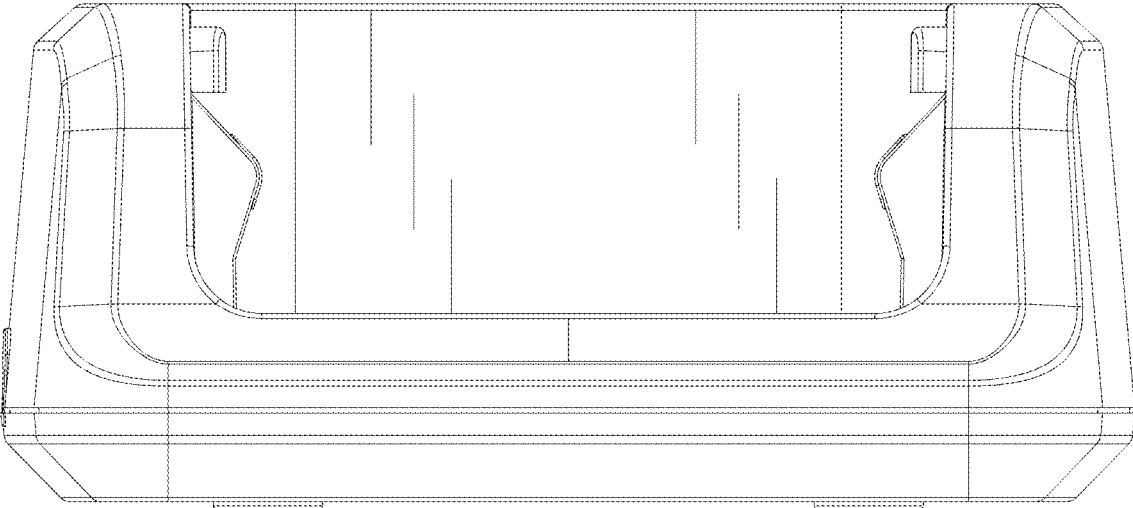


FIG. 2

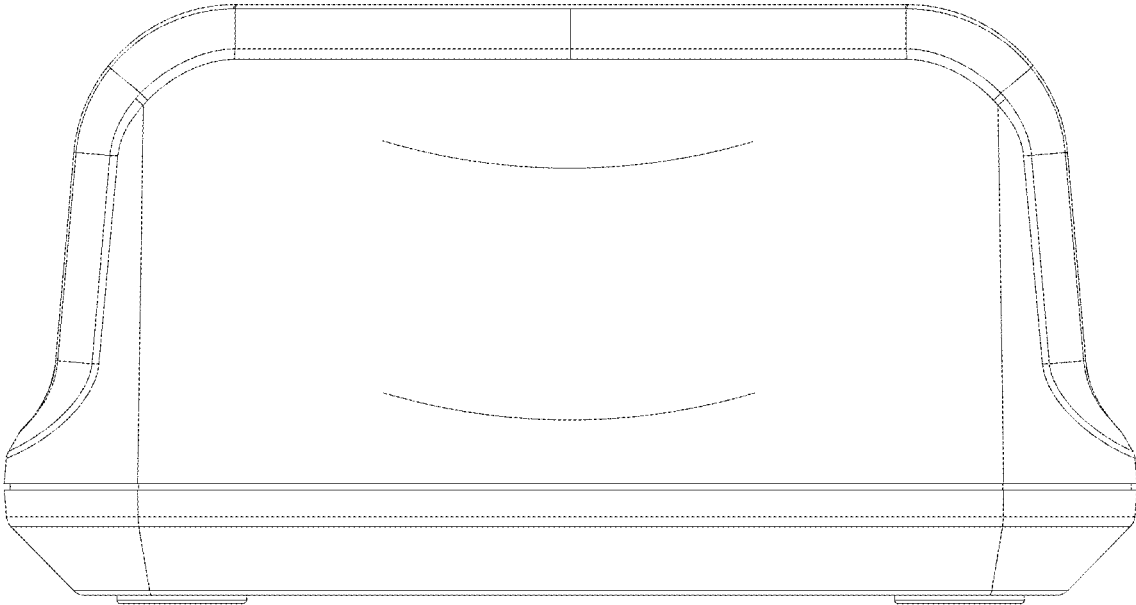


FIG. 3

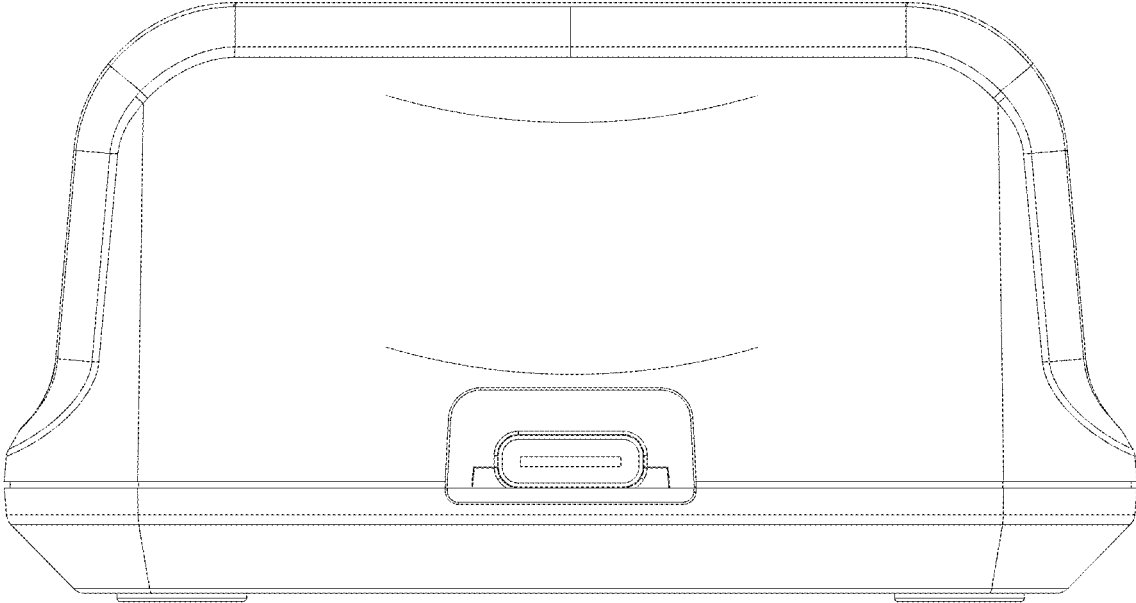


FIG. 4

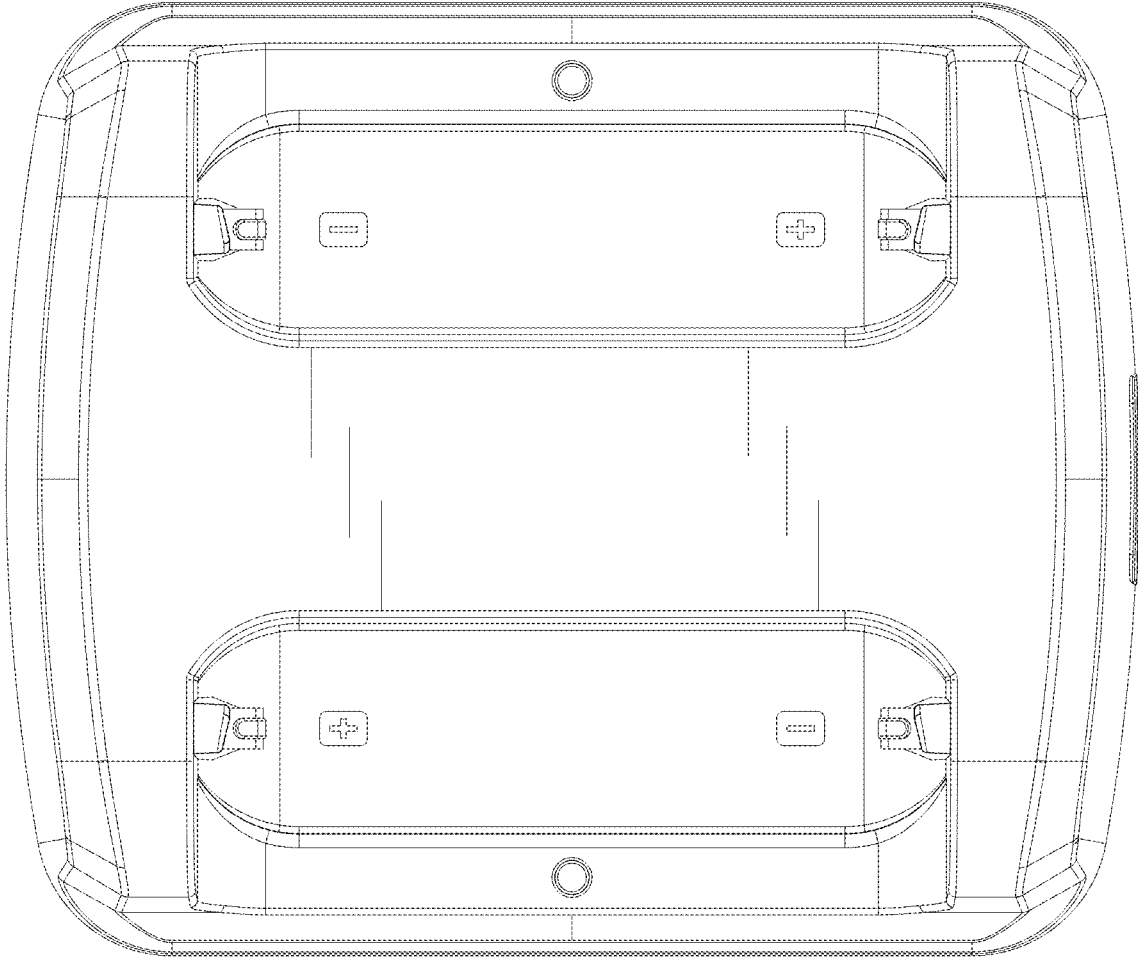


FIG. 5

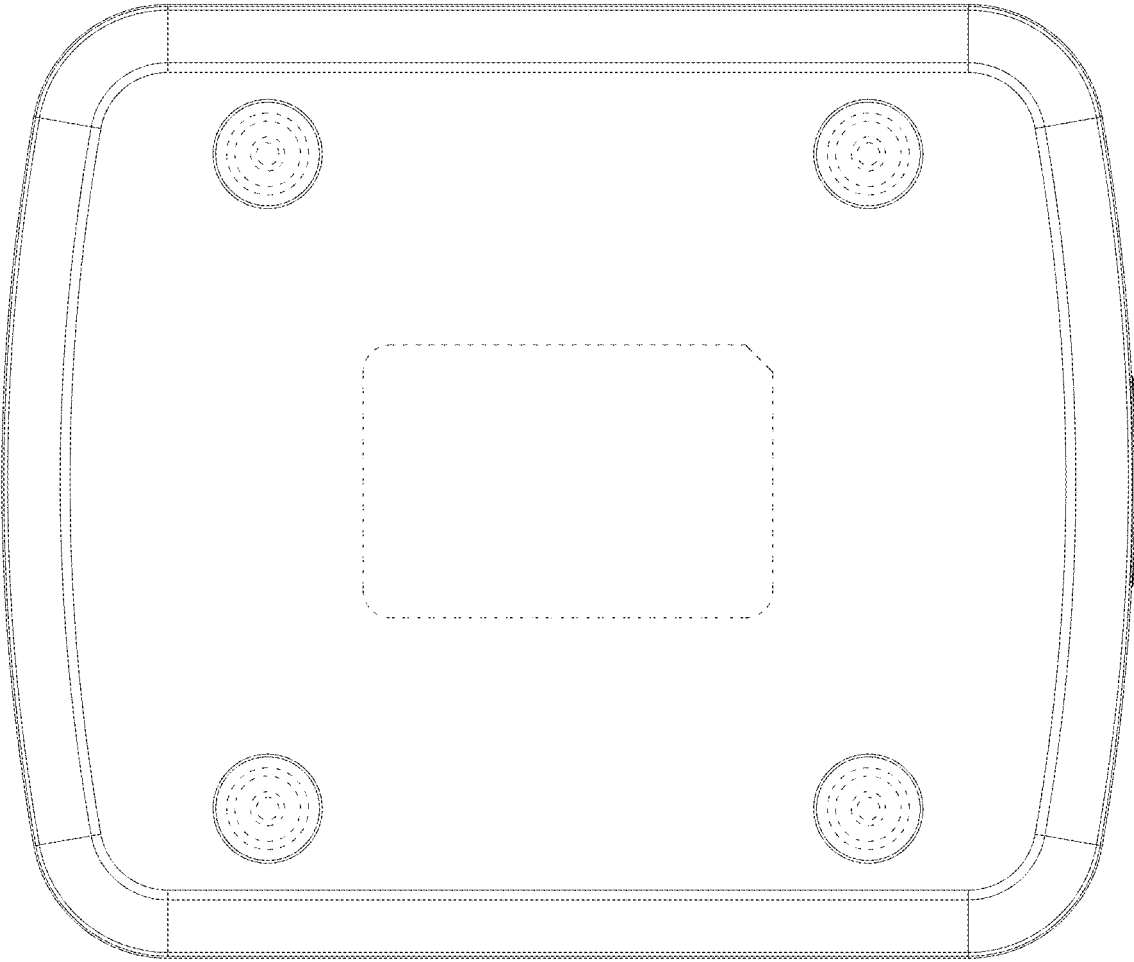


FIG. 6

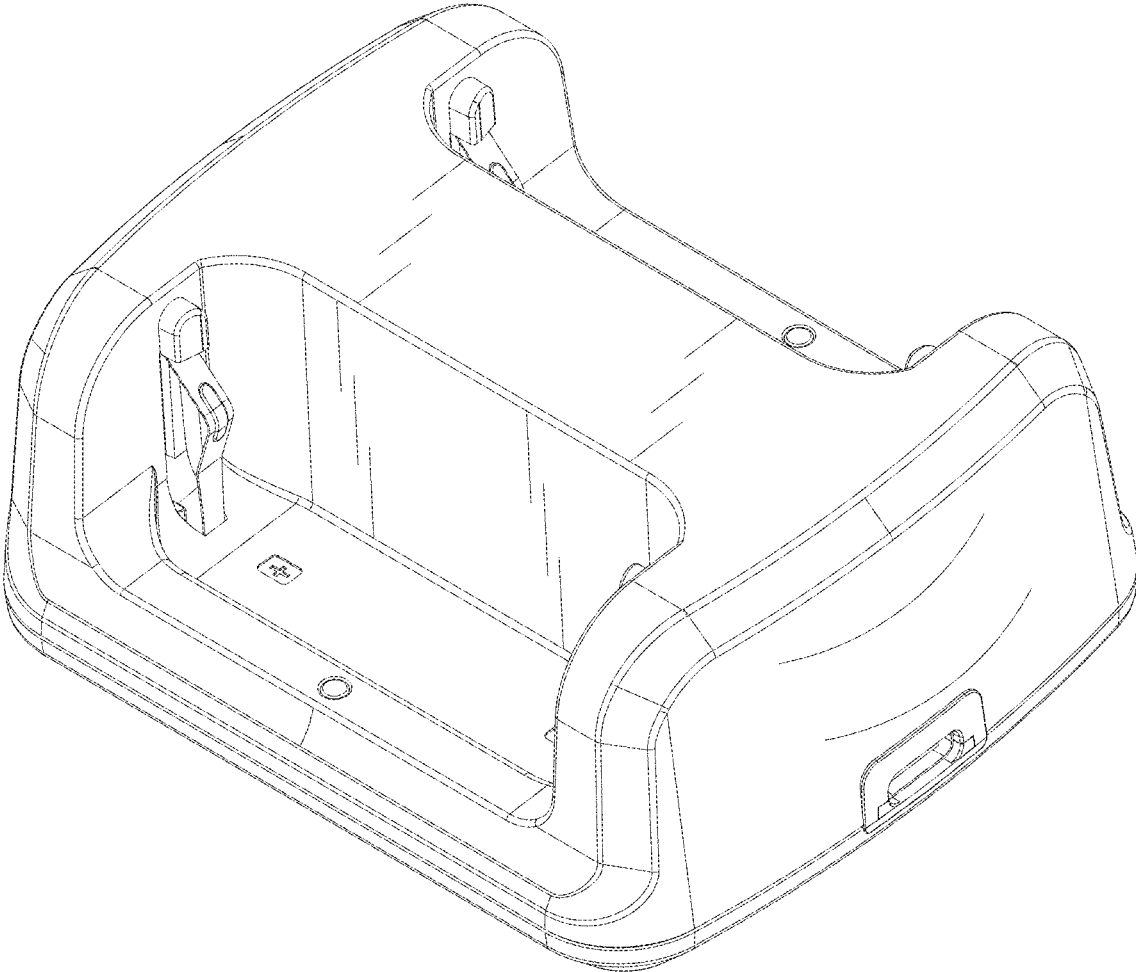


FIG. 7