



INTERNATIONAL APPLICATION PUBLISHED UNDER THE PATENT COOPERATION TREATY (PCT)

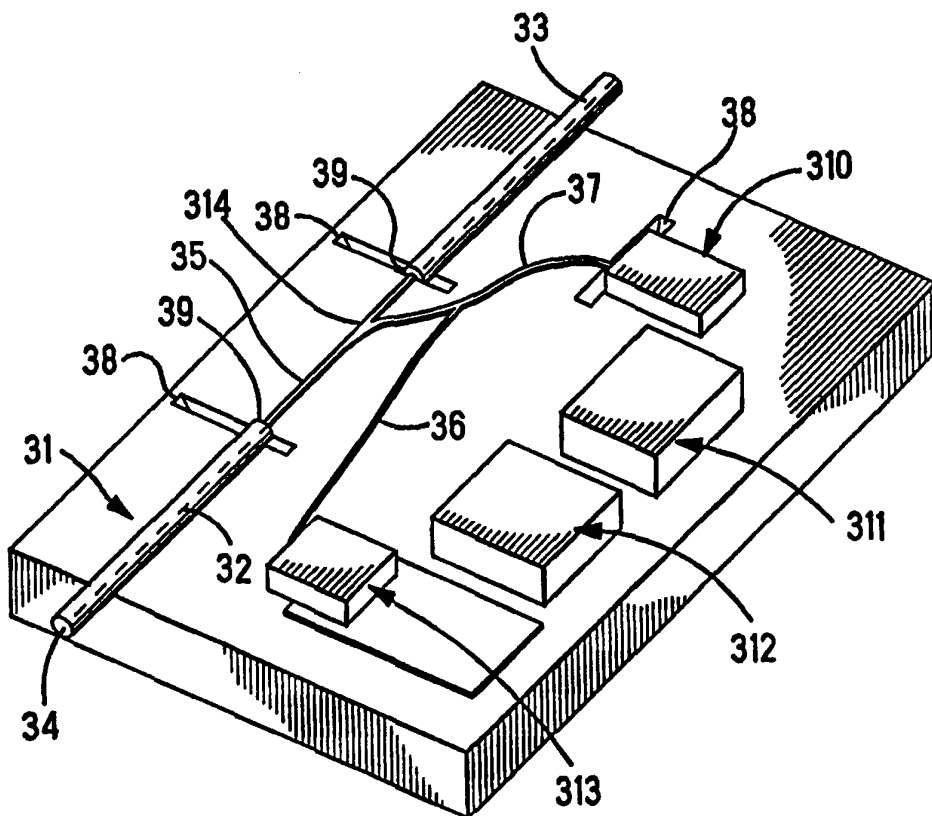
<p>(51) International Patent Classification ⁶ : H01S 3/06, G02B 6/42</p>	<p>A1</p>	<p>(11) International Publication Number: WO 96/00996 (43) International Publication Date: 11 January 1996 (11.01.96)</p>
--	------------------	--

<p>(21) International Application Number: PCT/US95/08148 (22) International Filing Date: 29 June 1995 (29.06.95) (30) Priority Data: 08/269,408 30 June 1994 (30.06.94) US (71) Applicant: THE WHITAKER CORPORATION [US/US]; Suite 450, 4550 New Linden Hill Road, Wilmington, DE 19808 (US). (72) Inventors: ABDELKADER, Hatem; 1692 Britannia Court, Harrisburg, PA 17112 (US). BOUDREAU, Robert, Addison; 1270 Stonegate Drive, Hummelstown, PA 17036 (US). BOWEN, Terry, Patrick; 85 York Hill Road, Etters, PA 17319 (US). HAN, Hongtao; 22 Cumberland Estate Drive, Mechanicsburg, PA 17055 (US). KAPANY, Narinder; 2190 Greenways Drive, Woodside, CA 94062 (US). REITZ, Paul, Richard; Road #1, Box 369 E, Palmyra, PA 17078 (US). (74) Agents: KOLASCH, Joseph, A. et al.; Birch, Stewart, Kolasch & Birch, P.O. Box 747, Falls Church, VA 22040-0747 (US).</p>	<p>(81) Designated States: JP, KR, European patent (AT, BE, CH, DE, DK, ES, FR, GB, GR, IE, IT, LU, MC, NL, PT, SE). Published <i>With international search report. Before the expiration of the time limit for amending the claims and to be republished in the event of the receipt of amendments.</i></p>
--	--

(54) Title: PLANAR HYBRID OPTICAL AMPLIFIER

(57) Abstract

A planar hybrid optical amplifier is fabricated on a single crystal substrate. The components that are common to a variety of optical amplifier circuits are mounted on the substrate and the planar device that results is readily interchanged in various applications. In one embodiment the multiplexed signal consisting of light from a pump laser and an optical signal are introduced into a rare earth doped fiber which amplifies the input signal through stimulated emission of radiation.



FOR THE PURPOSES OF INFORMATION ONLY

Codes used to identify States party to the PCT on the front pages of pamphlets publishing international applications under the PCT.

AT	Austria	GB	United Kingdom	MR	Mauritania
AU	Australia	GE	Georgia	MW	Malawi
BB	Barbados	GN	Guinea	NE	Niger
BE	Belgium	GR	Greece	NL	Netherlands
BF	Burkina Faso	HU	Hungary	NO	Norway
BG	Bulgaria	IE	Ireland	NZ	New Zealand
BJ	Benin	IT	Italy	PL	Poland
BR	Brazil	JP	Japan	PT	Portugal
BY	Belarus	KE	Kenya	RO	Romania
CA	Canada	KG	Kyrgyzstan	RU	Russian Federation
CF	Central African Republic	KP	Democratic People's Republic of Korea	SD	Sudan
CG	Congo	KR	Republic of Korea	SE	Sweden
CH	Switzerland	KZ	Kazakhstan	SI	Slovenia
CI	Côte d'Ivoire	LI	Liechtenstein	SK	Slovakia
CM	Cameroon	LU	Luxembourg	SN	Senegal
CN	China	LK	Sri Lanka	TD	Chad
CS	Czechoslovakia	LV	Latvia	TG	Togo
CZ	Czech Republic	MC	Monaco	TJ	Tajikistan
DE	Germany	MD	Republic of Moldova	TT	Trinidad and Tobago
DK	Denmark	MG	Madagascar	UA	Ukraine
ES	Spain	ML	Mali	US	United States of America
FI	Finland	MN	Mongolia	UZ	Uzbekistan
FR	France			VN	Viet Nam
GA	Gabon				

PLANAR HYBRID OPTICAL AMPLIFIER**FIELD OF THE INVENTION**

The invention relates to the use of silicon
5 waferboard technology to make a low cost, passively
aligned optical module that provides the basis for
various applications of optical amplifiers. The module
can be interchanged as the needs of a user changes.

10 BACKGROUND OF THE INVENTION

The advent of silicon waferboard technology has
provided the vehicle by which accurate, passive
alignment of optical components, both passive and
active, can be accomplished with the additional benefit
15 of reduced cost. The use of silicon bench technology to
produce optoelectronic modules is disclosed in U.S.
patent 4,904,036 to Blonder, incorporated herein by
reference. Blonder discloses the use of a single
crystal semiconductor base on which are mounted
20 optoelectronic chips to create a modular transceiver,
for example. Blonder discloses the use of v-grooves for
holding optical waveguides and chips in well defined
positions. The etching process to create the v-grooves
is mature, and is disclosed for example in U.S. patent
25 4,210,923 to North, incorporated herein by reference.
The Blonder further discloses the integral formation of
silica waveguides on the base of monocrystalline
material by chemical vapor deposition. Finally, the
Blonder reference discloses the use of a waveguide to
30 couple the evanescent wave of the main waveguide to a
photodiode to monitor assembly functions or circuit
operations. U.S. patent 4,989,935 to Stein,
incorporated herein by reference, is another example of
the fabrication of an optoelectronic device on a silicon
35 wafer. The Stein reference discloses the use of a
silicon wafer to form an integral optoelectronic
transceiver with a laser chip functioning as a source

- 2 -

and an optical receiver, a Schottky barrier diode. Further disclosed in the Stein reference is a wavelength multiplexer/demultiplexer which functions as a wavelength selective beamsplitter in the transceiver function. Finally, v-shaped grooves formed by anisotropic etching and dielectric waveguides formed on the silicon are also disclosed. Shown in Figure 1 are the key components of a typical rare earth doped fiber amplifier. Generally the components of this type of amplifier are in bulk form, and the circuit is connected with a glass optical fiber to effect optical signal amplification. The particular example shows input optical isolator, output optical isolator 2, forward and reverse pump lasers 3 and 4. Wavelength division multiplexers (WDM's) for coupling pump laser into a common waveguide as well as for filtering residual pump energy from input and output leads are also shown. Finally, tap couplers 5 for monitoring the pump laser power and tap coupler 6 for monitoring amplifier power output power are shown in this amplifier circuit. The use and function of each of these components will be discussed herein. To effect the amplification of an optical signal in a rare earth doped fiber amplifier, the input signal to be amplified is chosen to be between 1520 and 1580 nm. This is the frequency range emitted from the stimulated emission of the coiled length of the erbium doped fiber 7. To effect stimulated emission, a signal from the pump laser 3 is chosen to be either 980 nm or 1480 nm from an appropriate source. The input signal is multiplexed with this pump signal, and then fed into the erbium doped fiber. The pump signal excites electrons in a lower energy state in the doped fiber to a higher state. In time this would effect the population inversion needed to permit lasing, in a proper laser cavity. Population inversion is achieved by pumping to excite electrons to a higher state. The

--

- 3 -

electrons then decay rapidly to a metastable state (in many cases) with a longer lifetime, thereby enabling the required inversion. In an amplifier, this inversion is not utilized in the same way as in a laser, but rather is

5 utilized to effect a more precise amplification frequency. This is clear from a consideration of Heisenberg Uncertainty, where the longer lifetime (greater uncertainty) makes the uncertainty in the energy (and hence the uncertainty in frequency) smaller.

10 The input signal is then chosen to effect the stimulated decay of higher state electrons to a lower energy state. These quanta of light created by stimulated emission are of the same frequency and phase as the input wave, and thereby serve to amplify the input wave by constructive

15 interference. This coherence effect is due to the coupling effect of the incident light pulse with the electrons in excited states in the doped fiber. The emitted photons are of the same direction of propagation as well. It is precisely this coherence of phase,

20 frequency and direction of propagation that makes this kind of amplifier feasible. However, through the process of pumping and the introduction of the input signal to the erbium doped fiber, spontaneous emission occurs. Spontaneous emission of photons in the

25 amplifying modes can adversely affect the amplification of the input signal through the introduction of noise. This noise is due to the fact that quanta of light emitted in the spontaneous emission will be of random phase and propagation direction. This light will

30 destructively interfere with the light emitted through stimulated emission, and reduce the overall performance of the amplifier. Coherence is useful for various reasons. The first reason is that coherence makes feasible a greater variety of modulation and detection

35 techniques, thus providing the system designer with more options. Coherent communication systems have a greater

- 4 -

potential for better performance than do incoherent systems. For phase and frequency modulation, coherence is critical. Coherent detection techniques, for example heterodyning, require the phase of the received carrier and that of the local oscillator to be well defined and stable, so both light waves must be of a great degree of coherence. Clearly, it is of great importance to minimize as much as possible the spontaneous emission of light. For further details on the use of a rare earth doped fiber to effect amplification of an optical signal, see U.S. patent 5,056,096, incorporated herein by reference.

However, optical data transmission systems can differ greatly in their required components. As a consequence, for certain applications, the components shown in Figure 1 may be necessary for some systems, and not needed for others. Often, an amplifier will require a single pump laser. The pump and signal may either be copropagating or counterpropagating, as determined by the relative importance of signal to noise ratio and output power requirements. Further, applications may not require two optical isolators, or, in some instances, even a single isolator, depending on the magnitude of signal reflections. System level design requirements can be established that can eliminate one or both of the isolators. In a similar manner, the use of a WDM to remove residual pump power is also a system consideration, and in some instances, such a pump filter may not be necessary. Finally, an output tap coupler is likewise a system issue, which for many signal branching applications will either not be required, or could be accomplished by other means. What is desired is a modular type device that incorporates the essential devices to effect amplification of via a gain medium such as a rare earth doped fiber, virtually independent of particular system requirements. Figure 2 show the

- 5 -

schematic of those components which are common to all designs of amplifiers. Specifically, the pump laser 23 is monitored by a tap coupler 25, and a WDM efficiently couples the input and pump signal to the gain medium
5 (not shown).

What is needed is a multi-functional module that has formed or mounted thereon the essential components needed for optical amplifier systems. Such a device would allow the use of a such a module in a
10 variety of applications, thereby enabling interchangeability as well as versatility, a worthwhile "off-the-shelf" consideration.

SUMMARY OF THE INVENTION

15 It is an object of this invention to provide a low-cost, highly accurate passively aligned module for optical amplifier circuits. Particularly, the invention discloses the fabrication on a monocrystalline substrate a pump laser the output of which is coupled via a
20 multiplexer with the input signal to be amplified. The multiplexed signal is then coupled to a rare-earth doped fiber amplifier, external to the module. The configuration of the amplifier can vary, but the module is capable of functioning with the various
25 configurations.

BRIEF DESCRIPTION OF THE DRAWINGS

Figure 1 is a schematic diagram of typical optical
30 fiber amplifier with multiplexing/demultiplexing.

Figure 2 is a schematic of the present invention showing the components common to all amplifier circuits.

Figure 3 shows the present invention fabricated on a single crystal waferboard.

35

- 6 -

DETAILED DESCRIPTION OF THE PREFERRED EMBODIMENTS

Turning to Figure 3, we see the planar implementation of the optical fiber amplifier shown schematically in Figure 2. By techniques well known in the art, v-shaped grooves are etched into the monocrystalline substrate 31 to hold the optical fibers 32,33 which function to couple the input signal 34 to the amplifier circuit (not shown). The planar silica waveguides 35,36,37 are fabricated by microwave plasma chemical vapor deposition and reactive ion etching. Mode matching is usually required throughout the system, and can be effected, for example, by fabricating the silica waveguides in an approximately semi-circular shape such that the semi-circular core surrounded by a lower cladding and an upper cladding. The semi-circular core is fabricated to match the mode in the waveguide to that in the fiber 31,32. The cladding can be formed by oxidizing the silicon substrate and the core by deposition of phosphosilicate. This is but one means to create the waveguides, and is disclosed in the reference to Blonder above referenced. The end facets of the waveguides are cut by using a diamond saw, the groove created by such cuts are shown at 38. Standard single mode optical fibers or polarization selection single mode optical fibers 32,33 are positioned in the v-grooves and are thereby passively aligned with the waveguide 35 at 39. Finally, at the junctions at which the waveguide 35 couples the fiber, the fiber is cleaved at an angle consistent with the cut of the end facet of the waveguide 35, thereby reducing greatly the back reflections at the junction of the fiber to the waveguide. Also within the purview of the invention is the use of index matching material at junctions and laser welding and fusion arc welding may be employed to attach the fiber to the waveguide 35.

- 7 -

In order to effect multiplexing at the junction of the coupling waveguide 37 and the main waveguide 35, principals of evanescent wave physics are employed. In order to optically multiplex the pump light source with the input optical signal, the hope is that a great amount of the pump light is coupled into the waveguide 35, and a negligible amount of the input signal lost through coupling to the coupling waveguide 37. As is known in the art, there is a direct proportionality between the wavelength to be coupled and the length that the two waveguides are close and parallel. In this application, by keeping the length at which the waveguides 35 and 37 are parallel (at 314) short, there is great coupling for the pump light (roughly 980 nm) and poor coupling for the optical signal (1520-1580 nm). This configuration will also minimize the ill-effects of oscillation between evanescently coupled fibers. It is also conceivable that a slot could be cut in the junction between the fibers and a HOE be set therein for effecting multiplexing.

The configuration of Figure 3 assumes the gain medium is externally deployed in conventional fiber form. Typically, such fibers derive improved performance by using a small mode field to maximize pump field intensity. As a consequence mode matching between the gain medium and connecting fibers or waveguides becomes a very important consideration. This can be effected by various techniques such as first splicing the gain medium to a standard single mode fiber with thermally expanded core fusion splices, then attaching the standard mode fibers to the v-grooves of the substrate. Alternatively, the ends of the main waveguide sections may be tapered to allow mode matching with direct attachment of the gain medium. Another consideration for the designer of such an amplifying is pulse-spreading which can occur if the amplification of

- 8 -

the optical signal requires multiple traversals through the gain medium. The use of a loop fiber doped with a rare earth metal such as erbium which is pumped as described herein serves to enable amplification with as few as one pass through the loop. Finally, fiber to waveguide mode matching can be effected as described earlier. If it is desirable to deploy the gain medium on the planar substrate directly, waveguide tapering may again be used to allow direct coupling to standard single mode fiber in the v-grooves.

The pump source 310 is butt coupled to a single mode planar waveguide 37, that may be flared or otherwise modified to improve coupling efficiency. The end of this waveguide 37 may be angle cut to reduce back reflections, but is nonetheless cut with diamond saw to effect the butt coupling as was previously described in the discussion of the coupling between the fibers and the planar waveguides at 39. The pump source 310 is driven by laser drive 311 and circuit control 312. The pump waveguide 37 guides pump power to the main waveguide 35, coupling most of the power to it, possibly in a polarization dependant manner. The coupling waveguide 36 allows for a small fraction of the pump power to be guided to the monitor detector 313. The substrate has an angled surface (not shown) with a reflective coating thereon underneath the monitor-detector to provide means for coupling the light from the waveguide 36 to the monitor-detector 313. This angled surface could be cut by a diamond saw or etched by conventional technique.

In addition to the amplifier driver circuit shown in Figure 2, the same planar technology can be employed to design ring laser configurations where the active medium is located in a fiber external to the planar device. Further by suitable doping of rare earth elements in the main waveguide 35, direct pumping of the

- 9 -

gain medium can be accomplished. Various devices can then be realized. For example, by disposing reflective gratings on the main waveguide 35 in regions adjacent to or in the active medium, linear laser cavities can be made. Tuneable lasers can then be fabricated in this simple, low-cost arrangement. Other means of tunability can be realized by external devices coupled to the gain medium through the v-groove alignment means. Typically, only a single, broad optical spectrum grating would be disposed on the main waveguide 35, and an external wavelength selective reflective member would provide a broadband tuning mechanism over the optical gain bandwidth of the gain medium.

Various modifications will become apparent to those of ordinary skill in the art. All such variations which basically rely on the teachings which this invention advances are considered within the scope of the invention.

20

25

30

35

- 10 -

CLAIMS:

We Claim:

1. An apparatus for amplifying an optical signal, comprising:

5 (a) A substrate having a top surface and a bottom surface, and a selected thickness between said top and bottom surfaces;

(b) A first groove at a first end of said substrate and a second groove at a second end of said substrate, said grooves having optical fibers disposed therein;

10 (c) A optical waveguide optically connecting said optical fibers;

(d) A laser mounted on said substrate, said laser connected to said optical waveguide by a first coupling waveguide; and

15 (e) An optical detector mounted substrate, said monitor optically to said first coupling waveguide, whereby light from said laser is transmitted to said waveguide and at least one of said fibers and a portion of said light is transmitted to said detector for monitoring said laser.

2. An apparatus as recited in claim 1, wherein said first fiber transmits an optical signal, said optical signal is multiplexed with said light from said laser and said optical signal and said light from said laser are transmitted into said second optical fiber.

3. An apparatus as recited in claim 2, wherein said multiplexed optical signal and said laser light are transmitted into a gain medium, whereby said optical signal is amplified in said gain medium.

4. An apparatus as recited in claim 3, wherein said gain medium is a rare earth doped optical fiber and said

35

- 11 -

laser light serves as a pump source for said doped fiber.

5. An apparatus for amplifying an optical signal,
5 comprising:
- (a) A substrate having a top surface and a bottom surface, and a selected thickness between said top and bottom surfaces;
 - 10 (b) A first groove at a first end of said substrate and a second groove at a second end of said substrate, said grooves having optical fibers disposed therein;
 - (c) A optical waveguide optically connecting said optical fibers;
 - 15 (d) A pump laser mounted on said substrate, said laser connected to said optical waveguide by a first coupling waveguide;
 - (e) An optical detector mounted substrate, said monitor optically to said first coupling waveguide;
 - 20 (f) An input optical signal transmitted via said first optical fiber to said waveguide; and
 - (g) A multiplexer for multiplexing said light from said pump laser with said optical, said multiplexed signal transmitted via said second waveguide to a gain medium external to said substrate, whereby said pump
25 laser light pumps said gain medium and said optical signal is amplified via stimulated emission resulting from said pumping of said gain medium.
6. An apparatus as recited in claim 5, wherein said
30 multiplexer is an evanescent coupler made of a section of said waveguide and a section of said first coupling waveguide.
7. An apparatus as recited in claim 6, wherein said gain
35 medium is a rare earth doped optical fiber and said laser light serves as a pump source for said doped fiber.

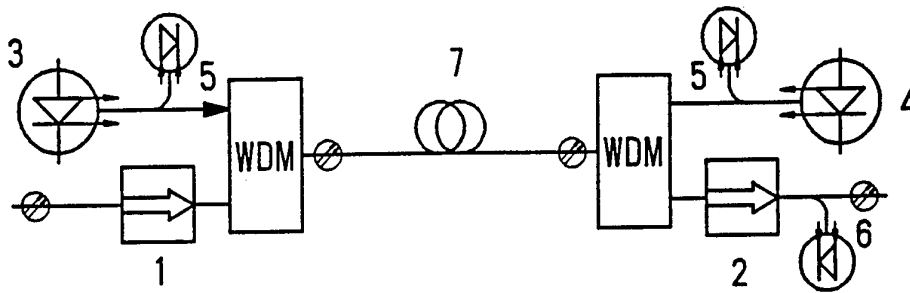


Fig. 1

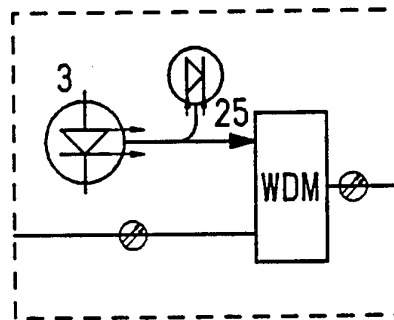


Fig. 2

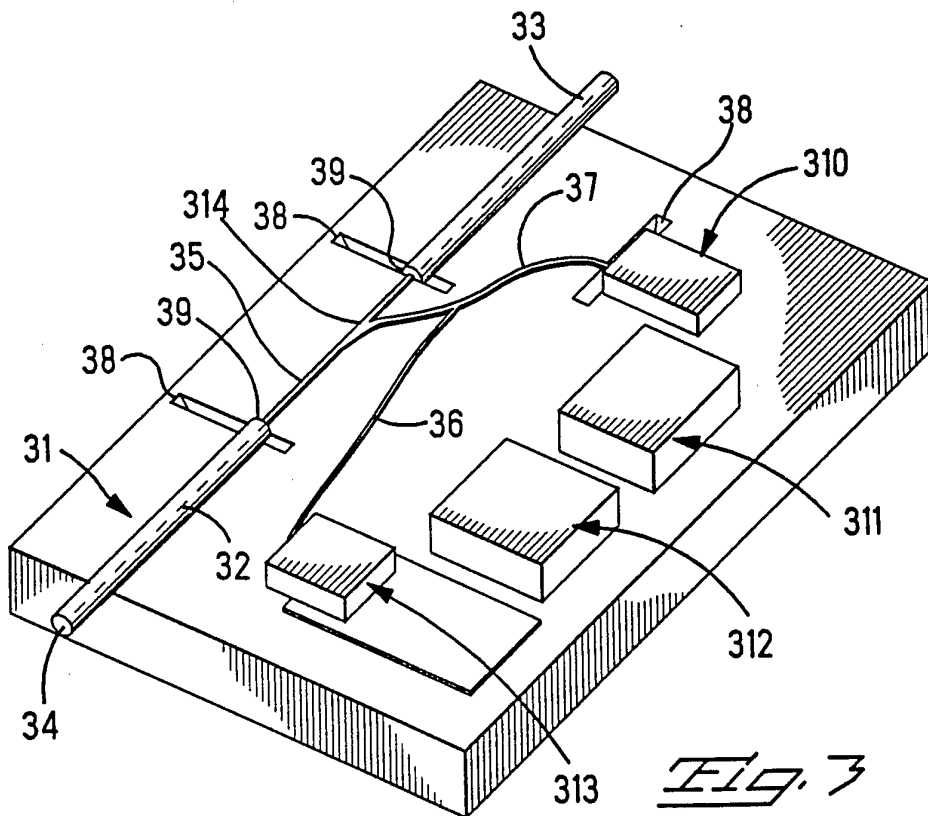


Fig. 3

INTERNATIONAL SEARCH REPORT

International Application No
PCT/US 95/08148

A. CLASSIFICATION OF SUBJECT MATTER
IPC 6 H01S3/06 G02B6/42

According to International Patent Classification (IPC) or to both national classification and IPC

B. FIELDS SEARCHED

Minimum documentation searched (classification system followed by classification symbols)
IPC 6 H01S G02B

Documentation searched other than minimum documentation to the extent that such documents are included in the fields searched

Electronic data base consulted during the international search (name of data base and, where practical, search terms used)

C. DOCUMENTS CONSIDERED TO BE RELEVANT

Category *	Citation of document, with indication, where appropriate, of the relevant passages	Relevant to claim No.
A	EP,A,0 527 604 (LITTON) 17 February 1993 see page 11, line 43 - line 50 see page 11, line 54 - line 56 see claim 1 see figure 13 ---	1,5
A	EP,A,0 404 301 (NORTHERN TELECOM) 27 December 1990 see column 5, line 17 - line 23 see column 6, line 36 - line 45 see column 8, line 58 - column 9, line 19 see figure 3 ---	1
A	EP,A,0 331 338 (AT&T) 6 September 1989 cited in the application see column 3, line 16 - line 47 see figure 1 ---	1,5
	-/--	

Further documents are listed in the continuation of box C.

Patent family members are listed in annex.

* Special categories of cited documents :

- "A" document defining the general state of the art which is not considered to be of particular relevance
- "E" earlier document but published on or after the international filing date
- "L" document which may throw doubts on priority claim(s) or which is cited to establish the publication date of another citation or other special reason (as specified)
- "O" document referring to an oral disclosure, use, exhibition or other means
- "P" document published prior to the international filing date but later than the priority date claimed

"T" later document published after the international filing date or priority date and not in conflict with the application but cited to understand the principle or theory underlying the invention

"X" document of particular relevance; the claimed invention cannot be considered novel or cannot be considered to involve an inventive step when the document is taken alone

"Y" document of particular relevance; the claimed invention cannot be considered to involve an inventive step when the document is combined with one or more other such documents, such combination being obvious to a person skilled in the art.

"&" document member of the same patent family

Date of the actual completion of the international search

26 October 1995

Date of mailing of the international search report

3. 11. 95

Name and mailing address of the ISA

European Patent Office, P.B. 5818 Patentlaan 2
NL - 2280 HV Rijswijk
Tel. (+ 31-70) 340-2040, Tx. 31 651 epo nl,
Fax: (+ 31-70) 340-3016

Authorized officer

Luck, W

INTERNATIONAL SEARCH REPORT

 International Application No
 PCT/US 95/08148

C.(Continuation) DOCUMENTS CONSIDERED TO BE RELEVANT		
Category *	Citation of document, with indication, where appropriate, of the relevant passages	Relevant to claim No.
A	ELECTRONICS LETTERS., vol.29, no.6, 18 March 1993, STEVENAGE GB pages 509 - 510 R.I LAMING ET AL. 'TWINCORE ERBIUM-DOPED FIBRE AMPLIFIER WITH PASSIVE SPECTRAL GAIN EQUALISATION' see figure 1 see page 509 ---	1-5
A	PATENT ABSTRACTS OF JAPAN vol. 15, no. 490 (E-1144) 11 December 1991 & JP,A,03 212 984 (MITSUBISHI ELECTRIC) see abstract ---	1-5
A	EP,A,0 562 233 (ALCATEL) 29 September 1993 see column 4, line 9 - line 50 see figure 2 ---	1-5
A	PATENT ABSTRACTS OF JAPAN vol. 16, no. 345 (P-1392) 27 July 1992 & JP,A,04 104 231 (FUJITSU) see abstract ---	1,5
A	PATENT ABSTRACTS OF JAPAN vol. 18, no. 318 (E-1562) 16 June 1994 & JP,A,06 069 570 (FUJITSU) see abstract -----	1,5

INTERNATIONAL SEARCH REPORT

Information on patent family members

International Application No
PCT/US 95/08148

Patent document cited in search report	Publication date	Patent family member(s)	Publication date
EP-A-0527604	17-02-93	JP-A- 5224045	03-09-93
		US-A- 5393371	28-02-95
EP-A-0404301	27-12-90	US-A- 4969712	13-11-90
		CA-A- 2014440	22-12-90
		DE-D- 69011428	15-09-94
		DE-T- 69011428	15-12-94
		JP-A- 3041405	21-02-91
EP-A-0331338	06-09-89	SG-A- 154394	17-03-95
		US-A- 4904036	27-02-90
		DE-D- 68918133	20-10-94
		DE-T- 68918133	12-01-95
		ES-T- 2058498	01-11-94
		JP-A- 2009187	12-01-90
		JP-B- 7034495	12-04-95
EP-A-0562233	29-09-93	DE-A- 4208858	23-09-93
		AU-B- 3510593	23-09-93
		JP-A- 6045670	18-02-94
		US-A- 5363385	08-11-94