



US00D534404S

(12) **United States Design Patent**
Concari

(10) **Patent No.:** **US D534,404 S**

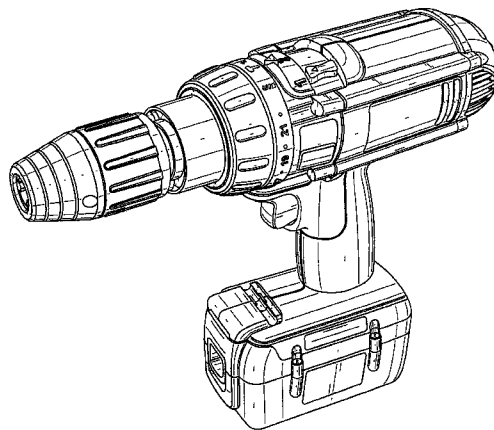
(45) **Date of Patent:** **** Jan. 2, 2007**

- (54) **CORDLESS DRILL**
- (75) Inventor: **Gabriel E. Concari**, Eldersburg, MD (US)
- (73) Assignee: **Black & Decker Inc.**, Newark, DE (US)
- (**) Term: **14 Years**
- (21) Appl. No.: **29/259,974**
- (22) Filed: **May 18, 2006**
- (51) **LOC (8) Cl.** **08-01**
- (52) **U.S. Cl.** **D8/68**
- (58) **Field of Classification Search** D8/14.1, D8/61, 62, 63, 64, 65, 66, 67, 68, 69, 70; 81/57.11, 429, 464, 465, 466, 469, 489; 173/13, 173/104, 114, 168, 169, 170, 171, 178, 201, 173/211, 213, 217; 408/20, 124, 125, 234, 408/241 R; 451/358; 310/50; 227/8, 113, 227/114, 120, 130, 136, 142
See application file for complete search history.

D402,871 S	*	12/1998	Clowers et al.	D8/68
D404,275 S		1/1999	Bunyea et al.	
D406,511 S		3/1999	Zurwelle	
D406,741 S		3/1999	Zurwelle	
D418,730 S		1/2000	Main	
D421,883 S		3/2000	Watson et al.	
D428,320 S		7/2000	Ohi et al.	
D431,766 S		10/2000	Zurwelle	
D435,414 S		12/2000	Etter et al.	
D436,511 S		1/2001	Hayakawa et al.	
D437,759 S	*	2/2001	Breit et al.	D8/68
D447,036 S		8/2001	Netzler	
D447,399 S		9/2001	Netzler	
6,308,378 B1	*	10/2001	Mooty et al.	81/489
6,401,837 B1		6/2002	Pan	
D460,673 S		7/2002	Heun	
D460,907 S		7/2002	Geis	
6,431,289 B1		8/2002	Potter et al.	
D462,248 S		9/2002	Cooper	
D462,592 S		9/2002	Cooper	
D464,858 S		10/2002	Netzler	
D464,859 S		10/2002	Netzler	
D466,386 S		12/2002	Zurwelle	
D466,777 S	*	12/2002	Watson	D8/68
D466,780 S		12/2002	Stirm	
D467,147 S		12/2002	Watson	
D467,148 S	*	12/2002	Flickinger	D8/68
6,502,648 B1	*	1/2003	Milbourne	173/178
D470,028 S		2/2003	Cooper	
D472,781 S		4/2003	Netzler	
D474,445 S		5/2003	Matsuoka et al.	
D475,679 S		6/2003	Cooper et al.	
D475,909 S		6/2003	Waldron	
D477,811 S		7/2003	Niwa et al.	
D479,455 S		9/2003	Waldron	
D479,456 S		9/2003	Murray et al.	
D482,253 S		11/2003	Cooper et al.	
D483,012 S		12/2003	Hsu	
D487,686 S		3/2004	Milbourne	
D489,955 S		5/2004	Concari et al.	
D494,034 S		8/2004	Cheung	
D496,573 S		9/2004	Cooper	
6,805,207 B1	*	10/2004	Hagan et al.	173/170
D499,624 S		12/2004	Concari et al.	
D501,384 S		2/2005	Wright et al.	
D501,779 S		2/2005	Watson	
D504,298 S		4/2005	Bian	
D504,394 S		4/2005	Cheung et al.	
6,984,188 B1	*	1/2006	Potter et al.	173/178

(56) **References Cited**
U.S. PATENT DOCUMENTS

D280,379 S	9/1985	Somers	
D280,796 S	10/1985	Somers	
D289,004 S	3/1987	Somers	
D303,347 S	9/1989	Somers	
D304,287 S	10/1989	Zurwelle	
D304,822 S	11/1989	Fushiya et al.	
D314,698 S	2/1991	Zurwelle	
D316,021 S	4/1991	Bunyea	
D319,763 S	9/1991	Reiferscheid	
D333,960 S	3/1993	Somers	
D359,215 S	* 6/1995	Zurwelle	D8/68
D368,214 S	3/1996	Zurwelle	
5,706,902 A	1/1998	Eisenhardt	
D396,395 S	7/1998	Zurwelle	
D396,621 S	8/1998	Zurwelle	
D396,789 S	8/1998	Murray	
D400,074 S	10/1998	Cooper	
D400,415 S	11/1998	Zurwelle	
D400,416 S	11/1998	Zurwelle	



7,066,691	B1	*	6/2006	Doyle et al.	408/124
2002/0096341	A1	*	7/2002	Hagan et al.	173/170
2002/0096342	A1	*	7/2002	Milbourne	173/178
2002/0096343	A1	*	7/2002	Potter et al.	173/178
2003/0002934	A1	*	1/2003	Hsu	408/124
2003/0143042	A1	*	7/2003	Doyle et al.	408/124
2004/0211576	A1		10/2004	Milbourne et al.	
2005/0028997	A1	*	2/2005	Hagan et al.	173/178
2005/0061524	A1	*	3/2005	Hagan et al.	173/170
2006/0096771	A1	*	5/2006	Brotto	173/217

FOREIGN PATENT DOCUMENTS

GB	2041264	S	*	8/1993
GB	3001388	S	*	2/2002
GB	3001389	S	*	2/2002

* cited by examiner

Primary Examiner—T. Chase Nelson
(74) Attorney, Agent, or Firm—Michael P. Leary; Charles

E. Yocum; Adan Ayala

(57) CLAIM

The ornamental design for a cordless drill, as shown and described.

DESCRIPTION

FIG. 1 is a left/front perspective view of a cordless drill
FIG. 2 is a front elevational view thereof;
FIG. 3 is a rear elevational view thereof;
FIG. 4 is a right side elevational view thereof;
FIG. 5 is a left side elevational view thereof;
FIG. 6 is a top plan view thereof; and,
FIG. 7 is a bottom plan view thereof.

1 Claim, 5 Drawing Sheets

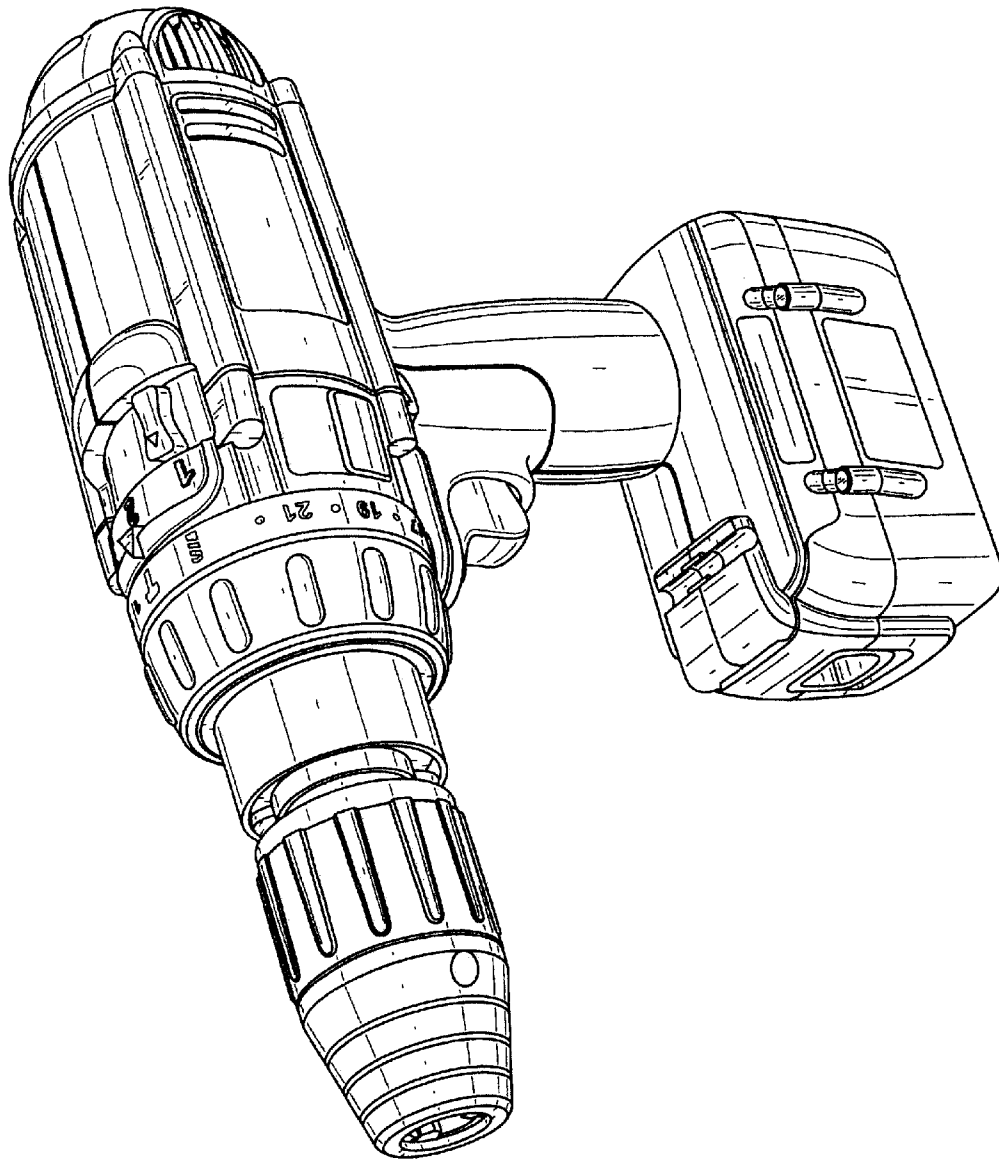


FIG. 1

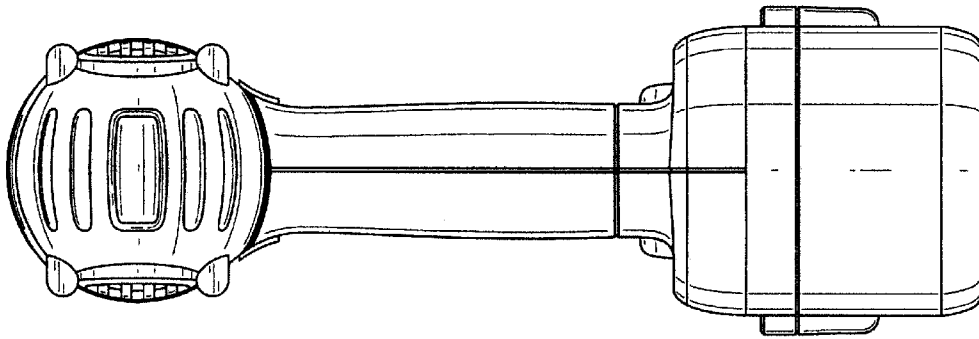


FIG. 3

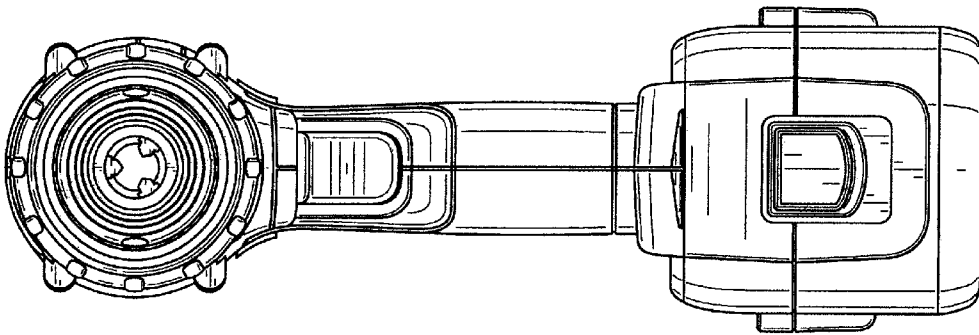


FIG. 2

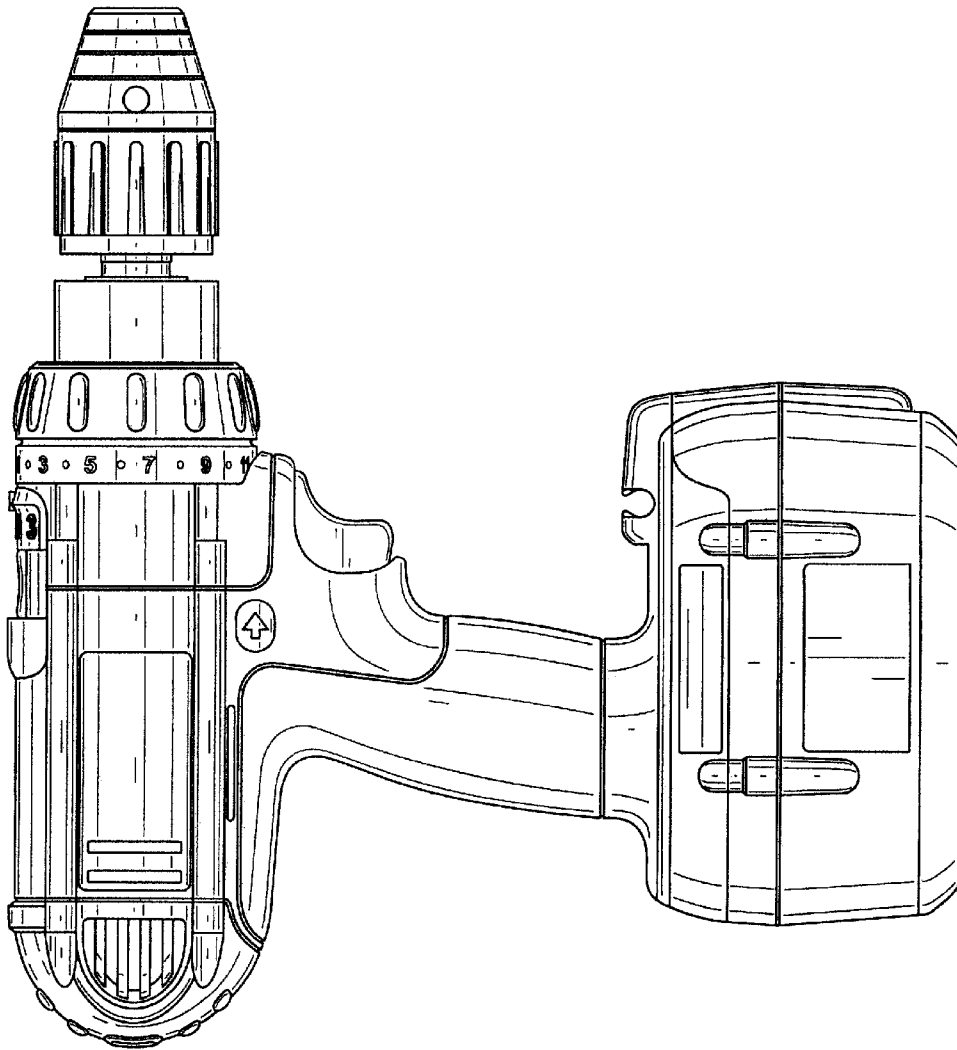


FIG. 4

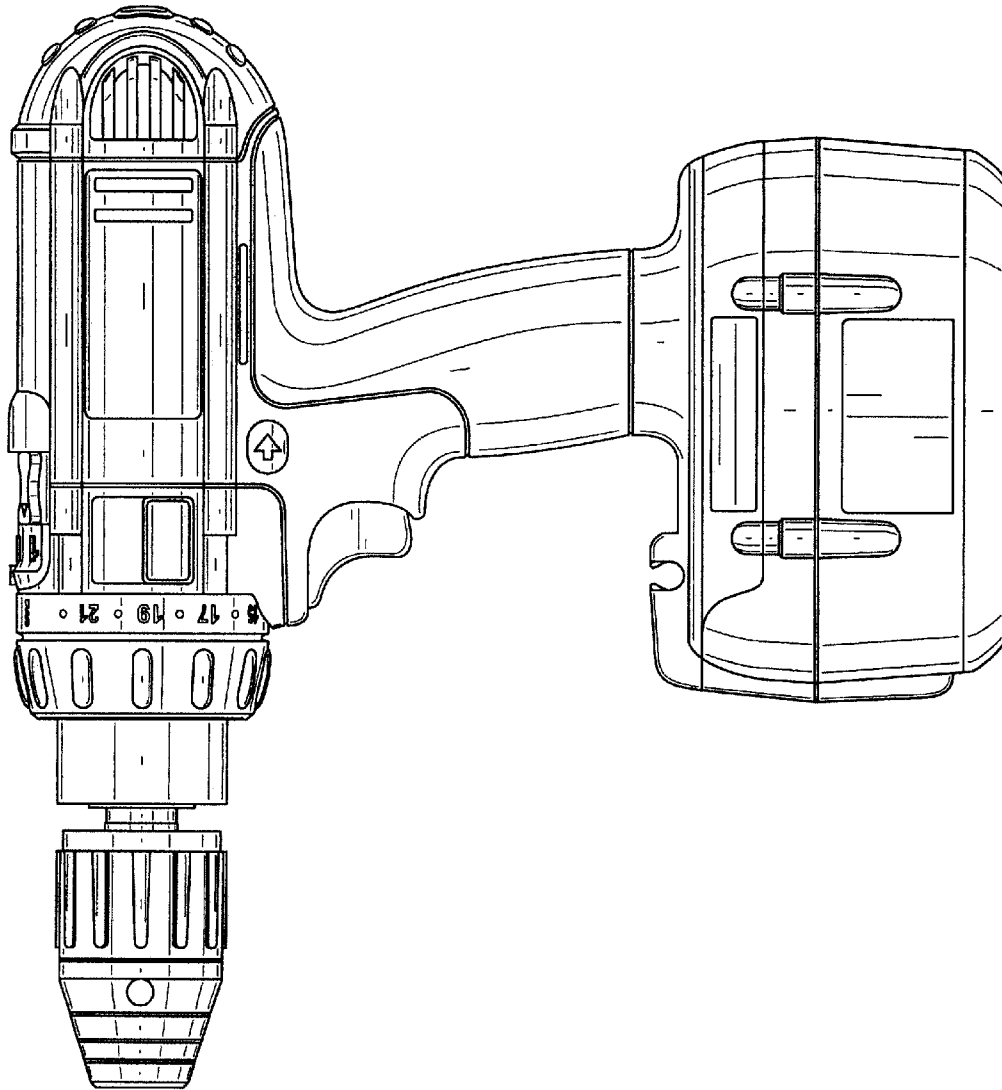


FIG. 5

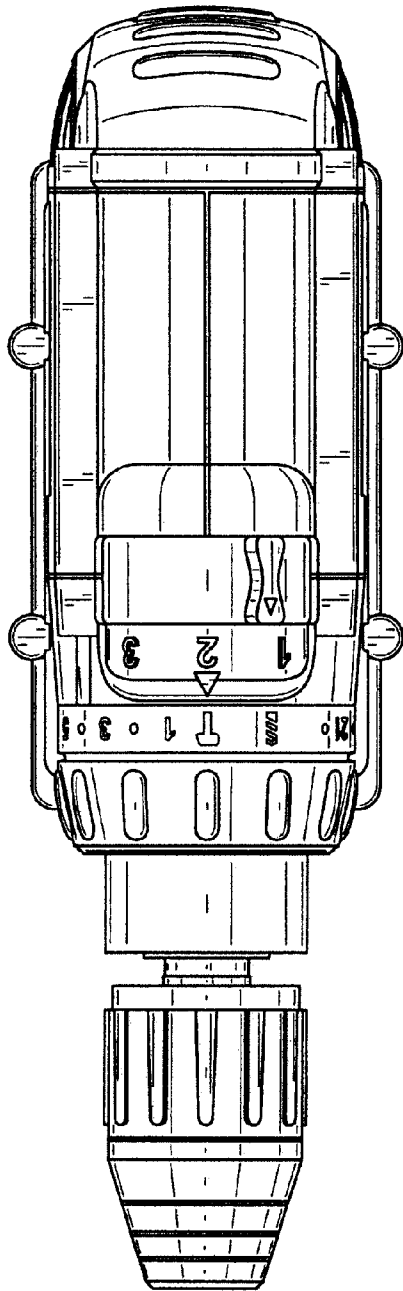


FIG. 6

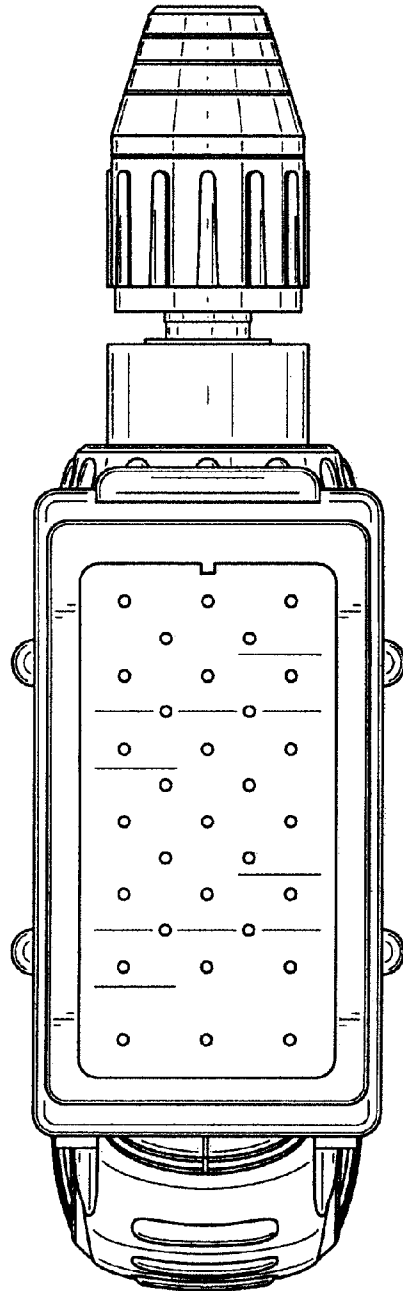


FIG. 7