

(43) Date of A Publication 24.03.1999

(21) Application No 9719799.0

(22) Date of Filing 17.09.1997

(71) Applicant(s)  
Sony United Kingdom Limited  
(Incorporated in the United Kingdom)  
The Heights, Brooklands, WEYBRIDGE, Surrey,  
KT13 0XW, United Kingdom

(72) Inventor(s)  
John Hudson

(74) Agent and/or Address for Service  
D Young & Co  
21 New Fetter Lane, LONDON, EC4A 1DA,  
United Kingdom

(51) INT CL<sup>6</sup>  
H04N 7/18

(52) UK CL (Edition Q )  
H4F FAAE FD1X FD12M FD2A FD2B FD30K FD30T3  
FD31K

(56) Documents Cited  
GB 2275585 A EP 0762753 A2 EP 0690628 A1  
WO 96/31984 A1 WO 94/24813 A1 US 4389467 A

(58) Field of Search  
UK CL (Edition O ) H4F FAAE FAAX FEG FGG FGH FGS  
INT CL<sup>6</sup> H04N 5/232 5/247 5/262 5/268 5/45 7/18  
Online databases: WPI, Japio

(54) Abstract Title  
Highlighting view from controlled security camera

(57) A security system comprises many cameras (C1 to C128) and a large number of alarm detectors (AD1 to AD768). A system controller (2) associates alarm detectors with cameras. Views from the cameras (C) are displayed on monitors (M11 to M21). The views are displayed in any one of various formats and any view can, in principle, be displayed on any monitor. At least some cameras have, or each camera has, a pan-and-tilt head (PT1 to PT128). Operators can control the pan-and-tilt heads (PT1 to PT128) and respond to alarms using control panels (CP1 to CP8). An operator may thus be faced with a large number of views. Views associated with active functions of the system are provided with coloured borders (B1, B2) to assist the operator. For example, views with active alarms are provided with flashing red borders (B1). Views associated with active control of a pan-and-tilt head (PT) by an operator are provided with a coloured border (B2) (e.g. green or yellow).

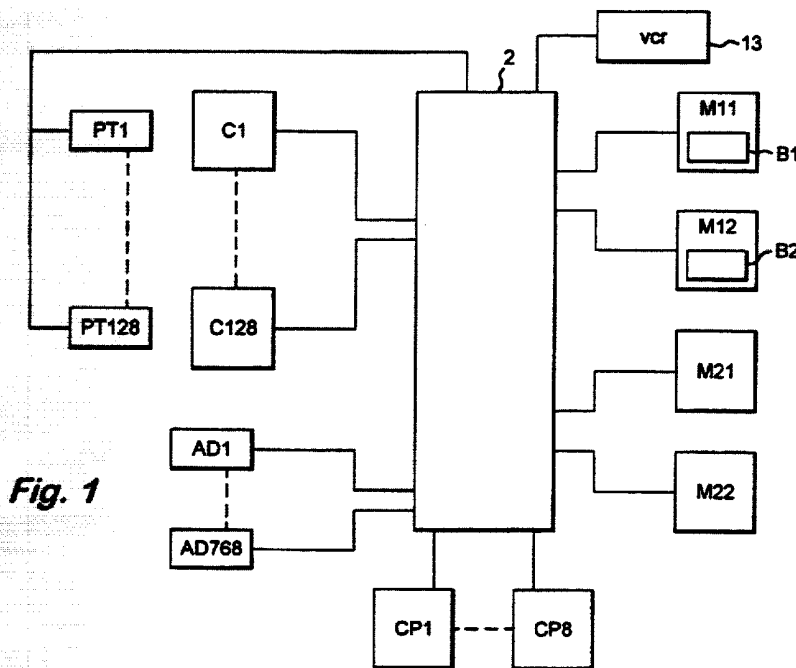


Fig. 1

GB 2 329 541 A

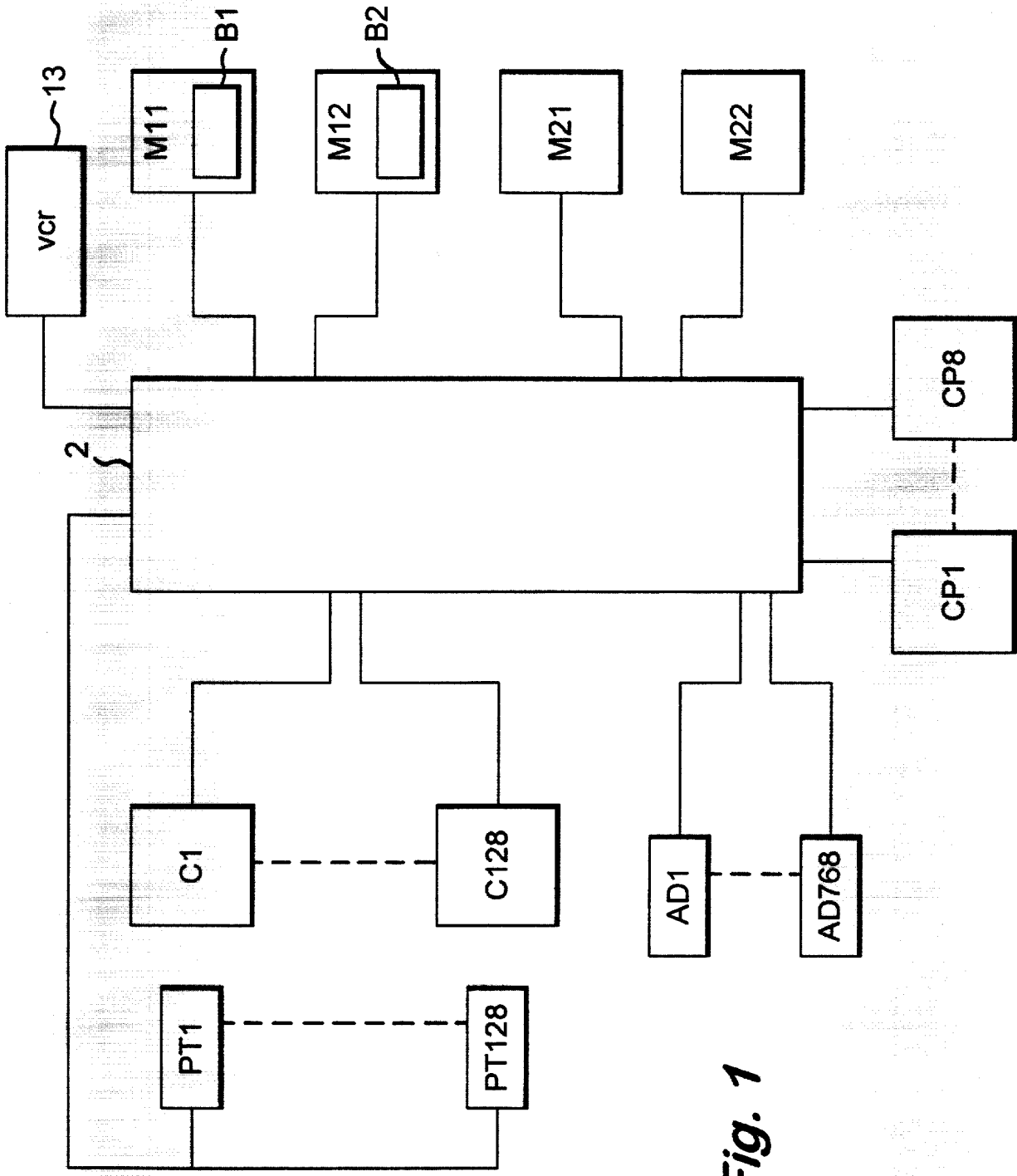


Fig. 1

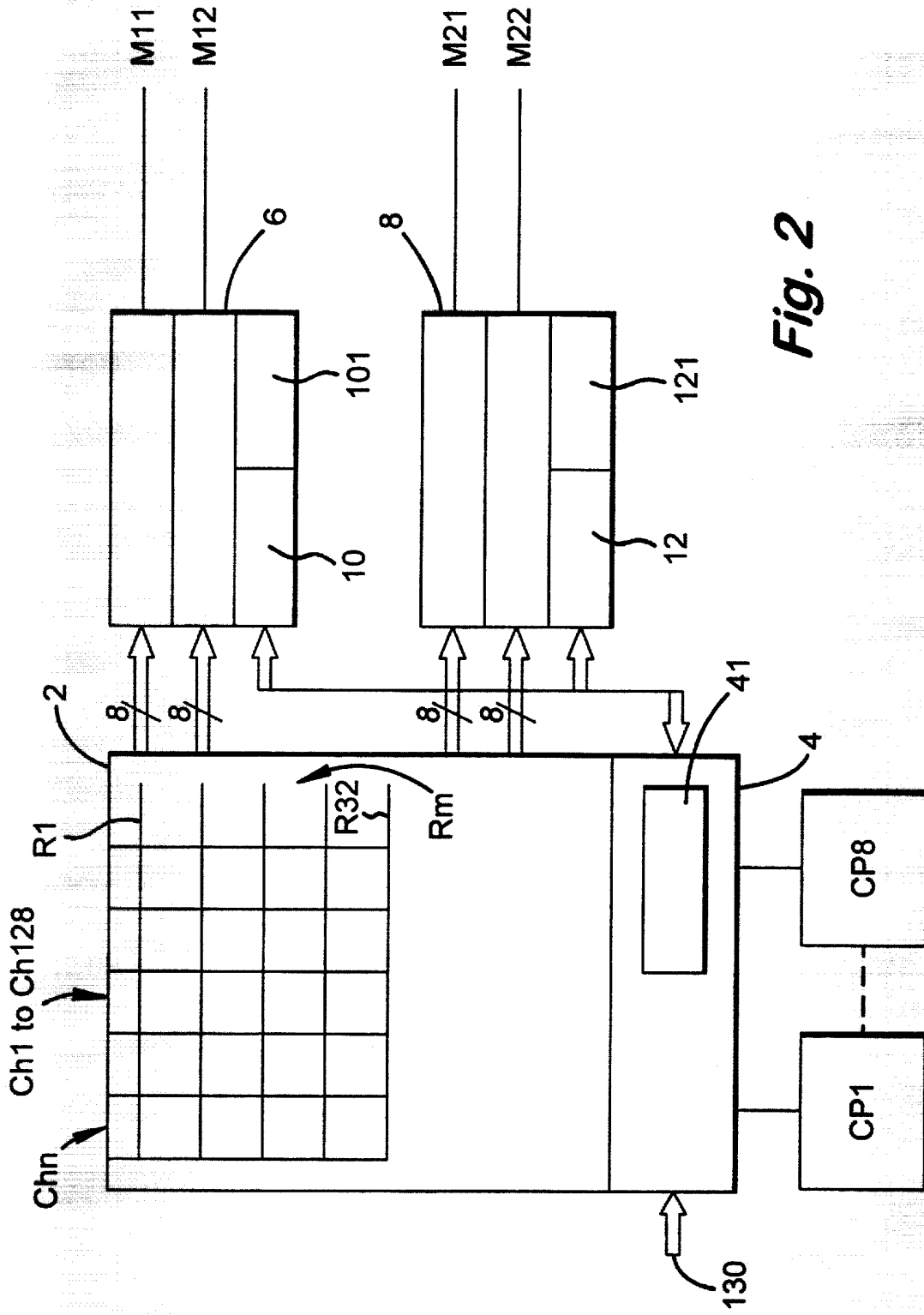
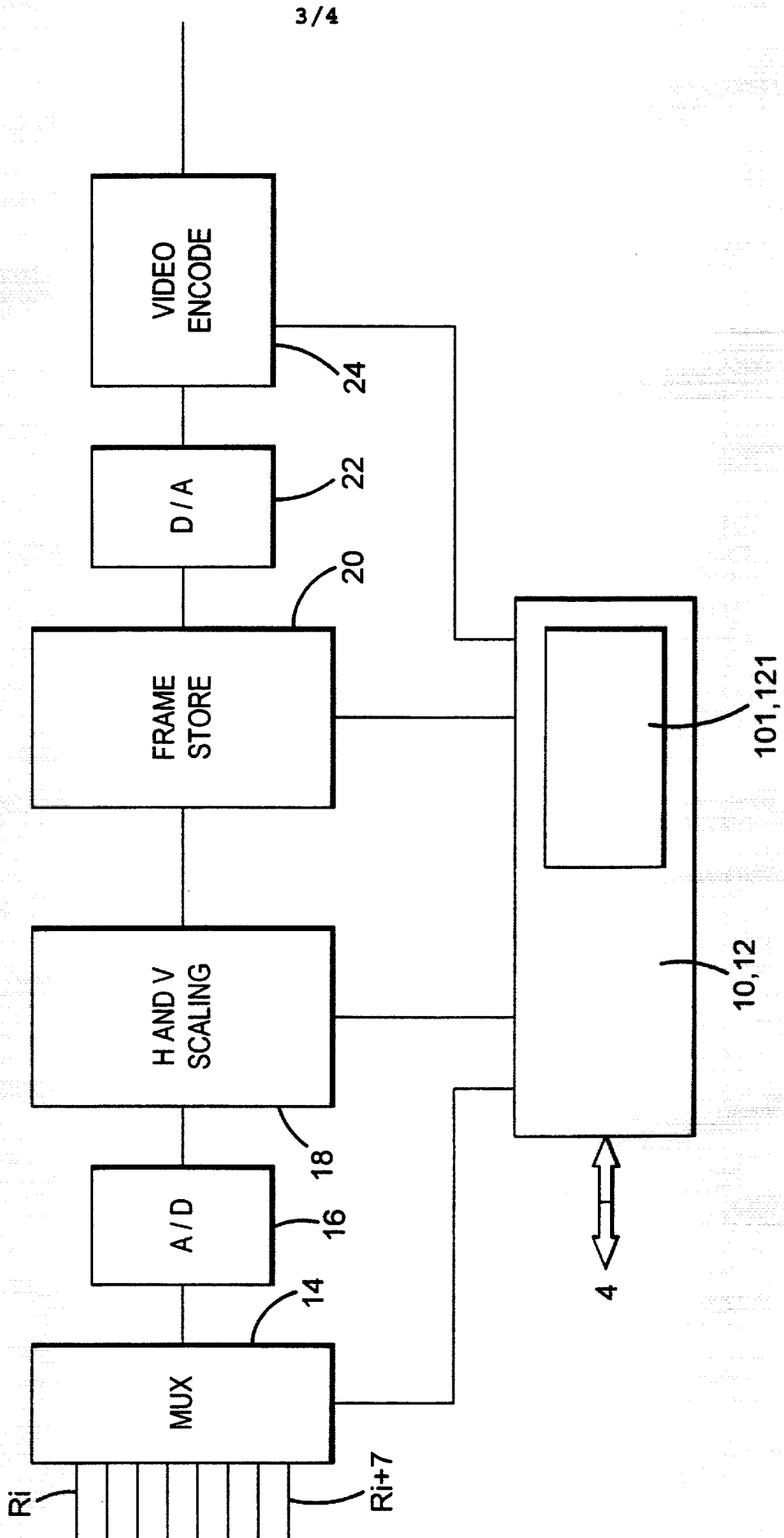
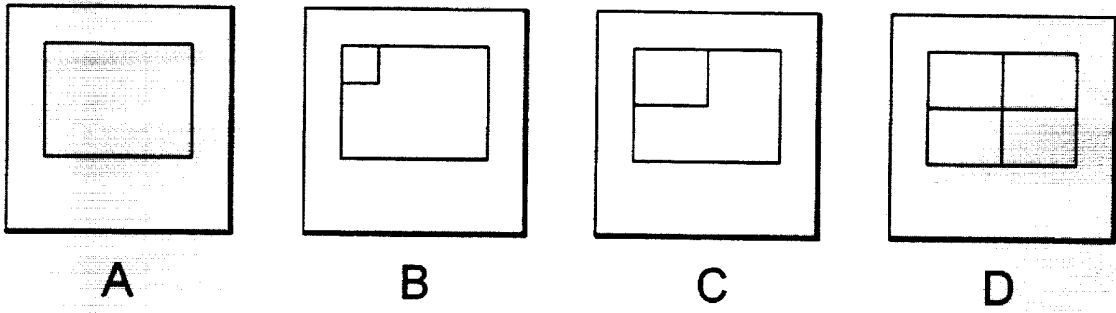


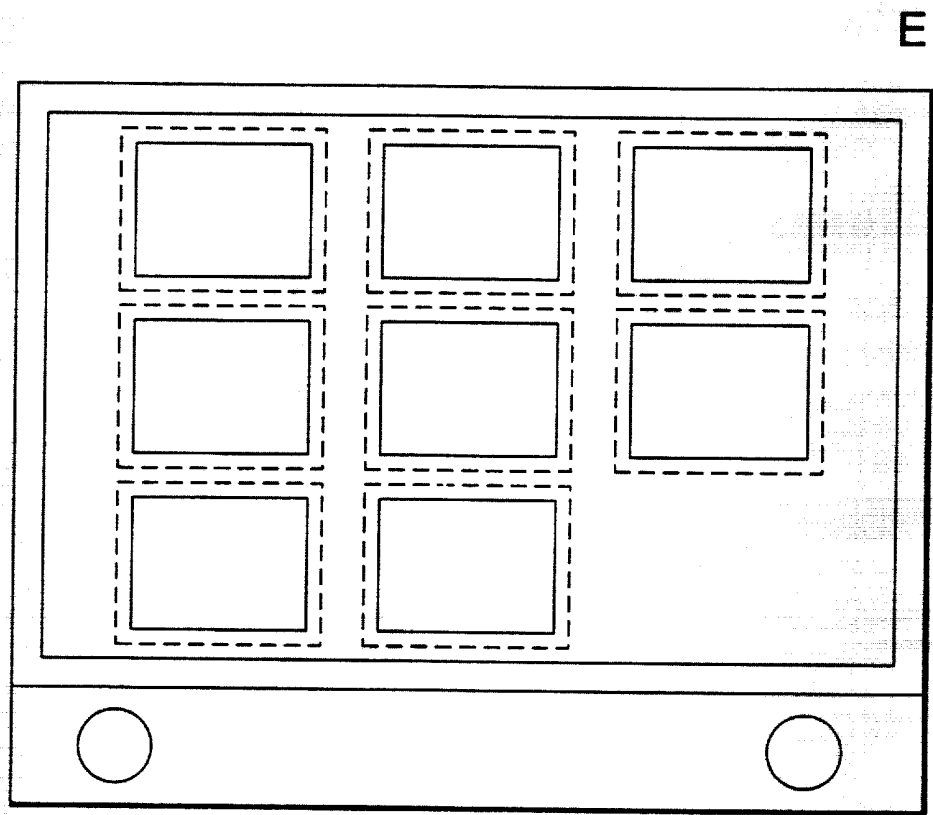
Fig. 2

**Fig. 3**





**Fig. 4**



## SECURITY CONTROL SYSTEM

The present invention relates to a security control system. Illustrative  
embodiments of the invention relate to a security system comprising video cameras,  
5 the control system and monitors for displaying images received by the cameras.

Security CCTV systems are now finding widespread use in monitoring  
shopping centres, town centres, and commercial and industrial buildings.

The size of these systems may vary from one or two video sources for small  
retail outlets, petrol stations etc., and the large town centre installations which may  
10 have greater than a hundred video sources with hundreds of alarm input signals.

In large installations, a great deal of security information is provided to the  
operator for evaluation. Such large security systems are typically managed by a  
system controller which can: provide access to a large number of video sources (for  
example a hundred video sources) and many hundreds of alarm signals; allow control  
15 of pan and tilt heads for each camera; have provide some control panels (e.g. ten or  
fewer control panels) for enabling an operator to interact with the system; and present  
video information on some (e.g. 30 or more) video monitors.

Managing this information to ensure that any incident may be efficiently and  
effectively identified, dealt with and recorded for evidential purposes can be very  
20 operator intensive.

To improve the efficiency of the monitoring process, large security sites are  
often partitioned or broken down into areas, with one operator assigned responsibility  
for monitoring each area.

System controllers may provide the facilities to effectively partition an  
25 installation into a number, (e.g. eight) of fully functioning sub-systems. Each sub-  
system has a control interface, a number of video monitors, and access to a sub-set  
of the video sources and alarm information from the complete installation.

The monitors are watched by operators who use the control panels, e.g. in  
response to alarms, to control the views presented by the cameras in order to  
30 determine the cause of an alarm. Even by assigning one operator to each partition  
of an installation, an event may trigger many alarms and present the operator with an

overwhelming amount of alarm and video information.

Other actions such as controlling pan-and-tilt heads can be confusing for the operator when he views many images on many monitors; it may be difficult to pick out the view which is subject to the pan-and-tilt control.

5 According to the present invention, there is provided a security system comprising:

cameras for producing video signals representing images viewed thereby;

display means for displaying the images; and

10 control means for controlling the cameras, display means and implementing other system functions;

the control means controlling the display of the images to visually indicate, in association with an image, an active system function associated with that image.

In preferred embodiments of the invention, the visual indicator is a coloured border. The border may provide further emphasis by flashing. Different coloured  
15 borders may be used to indicate different function, e.g. a red border indicates an alarm condition.

For a better understanding of the present invention, reference will now be made, by way of example, to the accompanying drawings, in which:

Figure 1 is a schematic block diagram of an illustrative security system in  
20 which aspects of the present invention are implemented;

Figure 2 is a more detailed block diagram of the system controller of the system of Figure 1;

Figure 3 is a schematic block diagram of a video signal processing channel associated with one monitor of the system of Figures 1 and 2; and

25 Figure 4 is a schematic diagram of illustrative display modes.

Referring to Figure 1 an illustrative security system in accordance with the present invention comprises 128 cameras C1-C128. At least some, and in this example all, of the cameras have pan and tilt heads PT1-PT128. The system also comprises 768 alarm detectors AD1-AD768.

30 A system controller 2 receives analogue video from the cameras C1-C128, and alarm signals from the alarm detectors AD1-AD768. The controller 2 provides

control signals to the pan and tilt heads.

Up to eight control panels CP1 to CP8 are provided. There may be more than eight panels. The control panels CP1-CP8 are used to program the system controller 2 and also are used by operators to control the system in use. For example, an operator can select a particular pan-and-tilt head and control it using the control panel.

The controller 2 controls in accordance with its programming the display of video from the cameras, and the display of alarms, on four monitors M11, M12, M21, M22.

The system of Figure 1 also includes one or more video cassette recorders (VCR) 13 for recording events such as evidence of intruders into a building. The operator chooses a view to be recorded and the system control then feeds the appropriate video signal to the VCR 13.

Referring to Figure 2, the system controller 2 comprises a video switcher having 128 analogue video inputs and 32 analogue video outputs. The inputs are shown as (vertical) columns Chn, Ch1 - Ch128 in Figure 2, and the outputs as horizontal rows Rm, R1 - R32. Video switches are controlled by a programmable controller 4, e.g a special purpose data processor or computer including program storage means 41 to connect the columns Chn to the rows Rm in any desired configuration. In addition, the connections may be varied in time.

The 32 outputs R1 to R32 are organised into four groups of eight outputs. One pair of groups or 16 outputs feed analogue video to a first multi-picture processor 6 and the other pair of groups or 16 outputs feed analogue video to a second multi-picture processor 8.

Each multi-picture processor 6, 8, comprises two identical channels both controlled by a common control processor 10, 12 having a program storage means 101, 121. Each channel processes one group of eight analogue video inputs Ri to Ri+7 e.g. R1 - R8.

The monitors M11 M12 are controlled by the two channels respectively of processor 6 and the monitors M21 and M22 are controlled by the two channels of processor 8.



The control processors 10, 12 are linked to the programmable controller 4 to control the display of information on the monitors in accordance with the programming of the controller 4. Programming of the controller 4 correspondingly programs the control processors 10 and 12.

5 Referring to Figure 3 each channel of the multipicture processors comprises a multiplexer 14 having eight inputs corresponding to one group of video outputs  $R_i - R_{i+7}$  and one output. The multiplexer 14 is controlled by the control processor 10, 12 to feed any selectable one of the inputs  $R_i - R_{i+7}$  to an analogue to digital converter 16. The resulting digital video is fed to a circuit 18 which under the  
10 control of the processor 10, 12 scales the video horizontally and vertically to produce an image of desired size (e.g. full screen, 1/4 size, 1/9 size).

The thus scaled image is stored in a frame store 20 under the control of the processor 10, 12. The processor 10, 12 controls the write addresses of the store to position the scaled image in a desired position for display, to allow picture-in-picture  
15 displays (PIP displays) or a desired number of pictures to be displayed in an array of pictures e.g. four or eight pictures on one monitor, as will be described hereinbelow.

The image or images stored in the frame store 20 are read-out via a digital to analogue converter 22 to a video encoder 24. The video encoder 24 encodes the video to be compatible with the monitors M11, M12, M21, M22. The video encoder  
20 24 is also controlled by the processor 10, 12 to carry out other functions as will be described hereinbelow.

The system described herein above may operate on monochrome video signals. Alternatively colour video signals may be processed. Although the cameras produce analogue signals, the system could be modified to operate on digital signals produced  
25 by the cameras.

A preferred version of the system, as shown in Figure 1 includes the 768 alarm detectors. The programmable controller 4 includes in its program store 41 a look-up table which is programmable to associate the cameras with one or more, e.g. a group of 4, alarm detectors AD.

30 In one mode of operation of the system, a set of images is displayed on a display device and the operator selects one of the images for performing an operation

linked to that image. For example, he may select the image to access a further set of images linked to the selected image.

In this example of the present invention, images which are displayed on the monitors M11 to M22 and which are subject to certain predetermined actions or active events are made visually prominent to the operator in a way which represents the action or event. In this illustrative example this is done by providing coloured borders B1, B2 around the displayed images associated with such actions and events.

For example:

10

| <u>Action/Event</u>                             | <u>Border</u> |
|---|---------------|
| Alarm   | Red           |
| Pan-and-tilt control                            | Yellow        |
| VCR recording                                   | Blue          |
| 15 Normal (no action/event)                     | White         |
| Image selected for performing further operation | Green         |

20 For an alarm, the red border may flash.

The borders may be written into the image frame in the frame store by the control processor 10, 12 in response to the action or event which is assigned to it by the controller 4. Preferably, the borders are combined with the video in the video encoder 24.

25 In preferred embodiments of the invention, the multipicture processors 8, 6 display one or more images in any one of the formats shown in Figures 4A to 4E.

| <u>Format</u> | <u>Display</u>            |
|---------------|---------------------------|
| 30 A          | Single image, full screen |
| B             | PIP, 1/9 size image inset |
| C             | PIP, 1/4 size image inset |

|   |                                |
|---|--------------------------------|
| D | Array of four 1/4 size images  |
| E | Array of eight 1/9 size images |

As shown in Figure 4E, by way of example, all eight images have a border.

- 5 The colour the border of an image is varied according to the actions and events associated with that image.

In an illustrative, preferred, embodiment, operator fatigue is reduced and operational efficiency increased by presenting the information more concisely on four monitors and by highlighting important information by the use of coloured borders.

- 10 In summary of the above described embodiments a security system comprises many cameras (C1 to C128) and a large number of alarm detectors (AD1 to AD768). A system controller (2) associates alarm detectors with cameras. Views from the cameras (C) are displayed on monitors (M11 to M21). The views are displayed in any one of various formats and any view can, in principle, be displayed on any
- 15 monitor. At least some cameras have, or each camera has, a pan-and-tilt head (PT1 to PT128). Operators can control the pan-and-tilt heads (PT1 to PT128) and respond to alarms using control panels (CP1 to CP8). An operator may thus be faced with a large number of views. Views associated with active functions of the system are provided with visual emphasis, e.g. coloured borders (B1, B2) to assist the operator.
- 20 For example, views with active alarms are provided with flashing red borders (B1). Views associated with active control of a pan-and-tilt head (PT) by an operator are provided with a coloured border (B2) (e.g. green or yellow).

**CLAIMS**

1. A security system comprising:  
cameras for producing video signals representing images viewed thereby;  
5 display means for displaying the images; and  
control means for controlling the cameras, display means and implementing  
other system functions;  
the control means controlling the display of the images to visually indicate, in  
association with an image, an active system function associated with that image.  
10
2. A system according to claim 1, wherein the visual indication is a border  
around the image, the colour of the border indicating the active function associated  
with the image.
- 15 3. A system according to claim 2, wherein the border flashes.
4. A system according to claim 2, comprising at least one alarm detector,  
associated with at least one camera for producing an alarm signal production of an  
alarm signal associated with an image key on active system function.  
20
5. A system according to claim 4, wherein an alarm associated with an image is  
indicated by a red border.
6. A system according to claim 4 or 5, wherein an alarm associated with an  
25 image is indicated by a flashing border.
7. A system according to claim 2, 3, 4, 5 or 6, wherein the system comprises at  
least one pan-and-tilt heads associated with at least one of the cameras, and the active  
function is control of a pan-and-tilt head.

8. A system according to claim 2, 3, 4, 5, 6 or 7, wherein the system comprises a video cassette recorder and the active function is actuation of the recorder.
9. A security system substantially as hereinbefore described with reference to  
5 Figures 1 to 4 of the accompanying drawings.



Application No: GB 9719799.0  
Claims searched: 1

Examiner: Sue Willcox  
Date of search: 17 November 1997

Patents Act 1977  
Search Report under Section 17

Databases searched:

UK Patent Office collections, including GB, EP, WO & US patent specifications, in:

UK CI (Ed.O): H4F (FAAE, FAAX, FEG, FGG, FGH, FGS)

Int CI (Ed.6): H04N (5/232, 5/247, 5/262, 5/265, 5/268, 5/45, 7/18)

Other: Online databases: WPI, Japio

Documents considered to be relevant:

| Category | Identity of document and relevant passage   | Relevant to claims |
|----------|---|--------------------|
| Y        | GB 2275585 A SONY CORPORATION - see particularly page 10, lines 10 - 26                                 | 2, 7               |
| Y        | EP 0762753 A2 MATSUSHITA ELEC. IND. CO., LTD see column 5, line 50 to column 6, line 30                 | 2, 7               |
| X,Y      | EP 0690628 A1 SENSORMATICS ELECTRONICS CORP - see column 5, line 53 to column 4, line 8                 | X:1<br>Y: 2, 7     |
| X,Y      | WO 96/31984 A1 WASHINO - see particularly page 11, lines 25 - 28  | X: 1<br>Y: 2, 7    |
| X,Y      | WO 94/24813 A1 WASHINO - see particularly Figures 5 & 6; page 12, lines 15 - 19; page 13, lines 12 - 26 | X: 1<br>Y: 2, 7    |
| X        | US 4369467 A SMITH - see column 6, lines 32 - 67  | X: 1               |

|   |   |   |  |
|---|---|---|--|
| X | Document indicating lack of novelty or inventive step   | A | Document indicating technological background and/or state of the art.  |
| Y | Document indicating lack of inventive step if combined with one or more other documents of same category. | P | Document published on or after the declared priority date but before the filing date of this invention.          |
| & | Member of the same patent family  | E | Patent document published on or after, but with priority date earlier than, the filing date of this application. |