



US00D784955S

(12) **United States Design Patent**
Warden et al.

(10) **Patent No.:** **US D784,955 S**

(45) **Date of Patent:** **** Apr. 25, 2017**

(54) **LOUDSPEAKER**

(71) Applicant: **Bose Corporation**, Framingham, MA (US)

(72) Inventors: **Robert A. Warden**, Southborough, MA (US); **Mitchell Joseph Silva**, Groton, MA (US)

(73) Assignee: **Bose Corporation**, Framingham, MA (US)

(**) Term: **15 Years**

(21) Appl. No.: **29/559,587**

(22) Filed: **Mar. 30, 2016**

Related U.S. Application Data

(62) Division of application No. 29/493,735, filed on Jun. 12, 2014, now Pat. No. Des. 756,329.

(51) **LOC (10) Cl.** **14-01**

(52) **U.S. Cl.**
USPC **D14/204**

(58) **Field of Classification Search**
USPC D14/167, 170-172, 194-196, 204, 207, D14/209.1, 210-216, 221, 222; 181/143, 181/144, 147, 148, 150, 151, 153, 157, 181/198, 199; 381/300-302, 306, 332, 381/333, 336, 345, 361-364, 386-388
CPC H04R 1/02; H04R 1/021; H04R 1/023; H04R 5/00; H04R 9/06; H04R 2420/07
See application file for complete search history.

(56) **References Cited**

U.S. PATENT DOCUMENTS

D372,918 S *	8/1996	Manganese	D14/204
D408,297 S *	4/1999	Hargrove, III	D10/1
D571,749 S *	6/2008	Barnett	D14/126
7,516,932 B2 *	4/2009	Engebretson	H04R 1/026 248/317
D594,854 S *	6/2009	Hawkins	D14/217
D622,258 S *	8/2010	Joseph	D10/2
D659,670 S *	5/2012	Goetzen	D14/194
D663,719 S *	7/2012	Warden	D14/214
D681,010 S *	4/2013	Cho	D14/215

* cited by examiner

Primary Examiner — Ian Simmons

Assistant Examiner — Janice Lim

(74) *Attorney, Agent, or Firm* — Bose Corporation

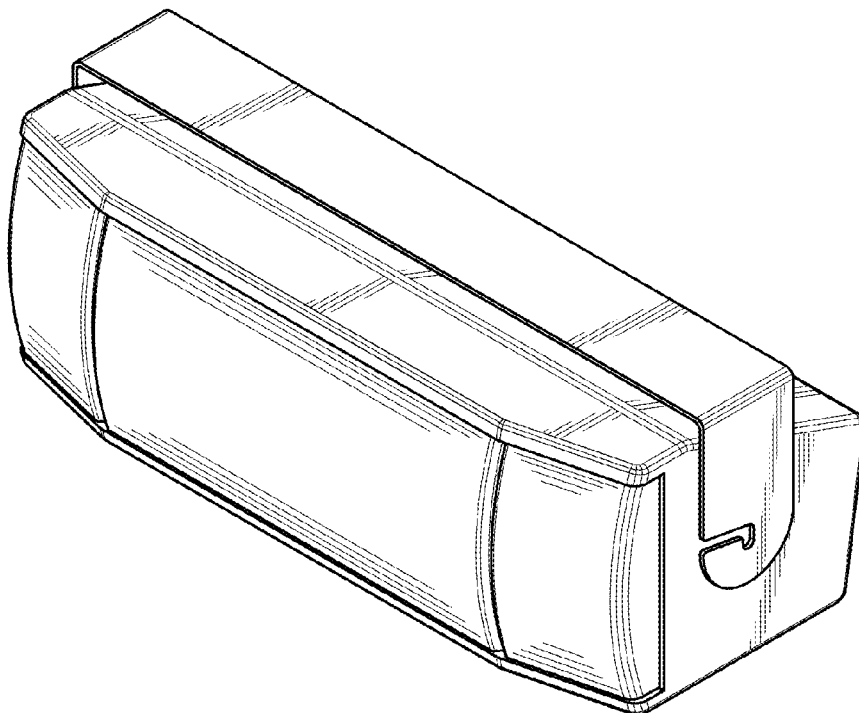
(57) **CLAIM**

The ornamental design for a loudspeaker, substantially as shown and described.

DESCRIPTION

FIG. 1 is a top, front, and right side perspective view of a loudspeaker, showing our new design;
FIG. 2 is a front view thereof;
FIG. 3 is a back view thereof;
FIG. 4 is a top plan view thereof;
FIG. 5 is a bottom plan view thereof;
FIG. 6 is a left side view thereof; and,
FIG. 7 is a right side view thereof.

1 Claim, 6 Drawing Sheets



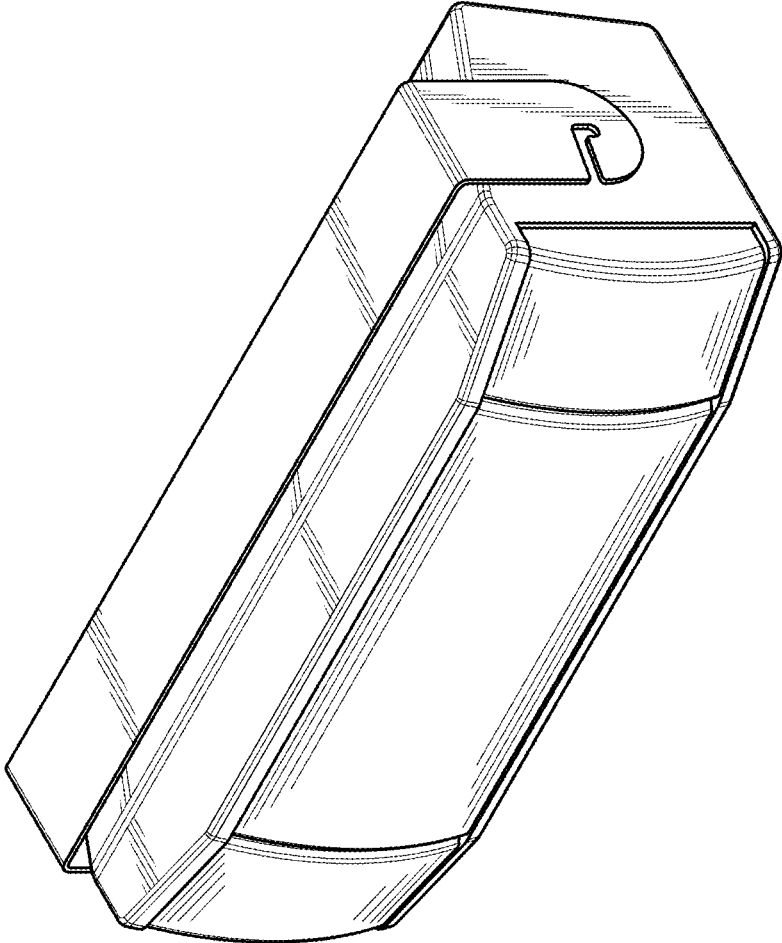


FIG. 1

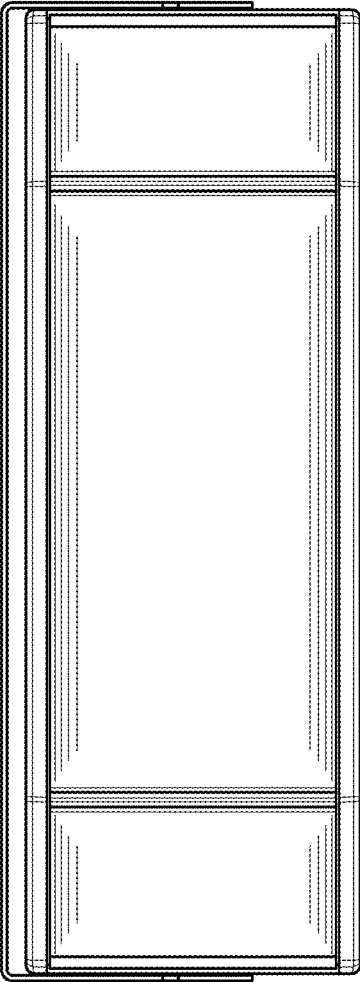


FIG. 2

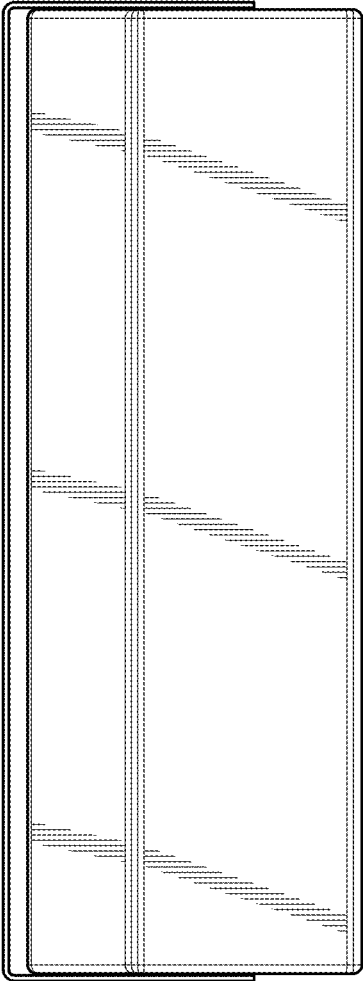


FIG. 3

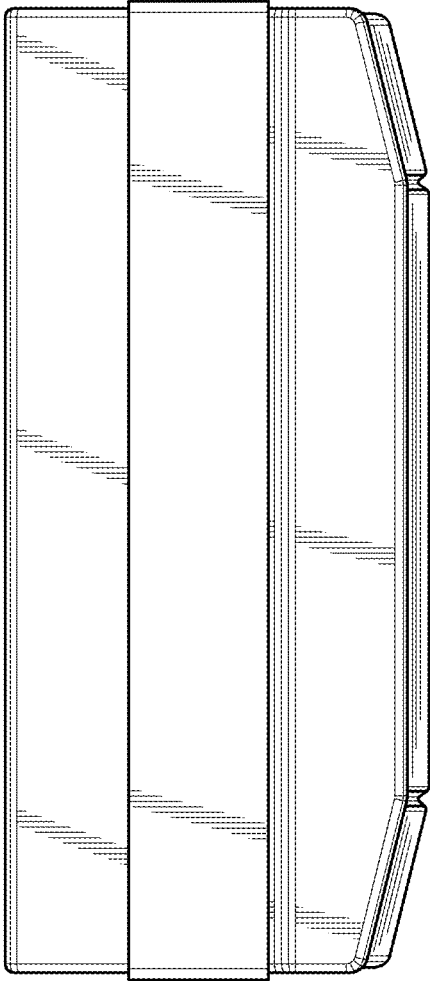


FIG. 4

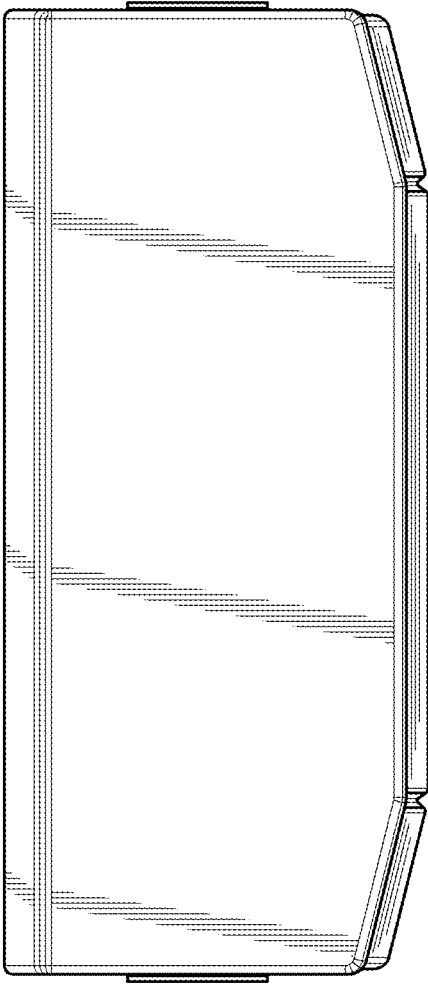


FIG. 5

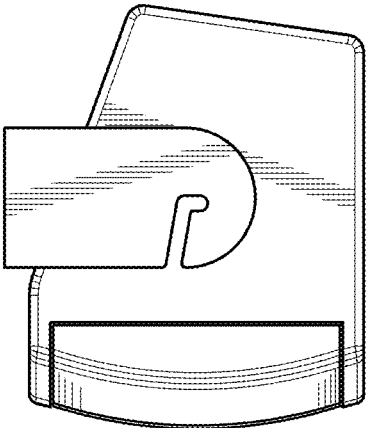


FIG. 7

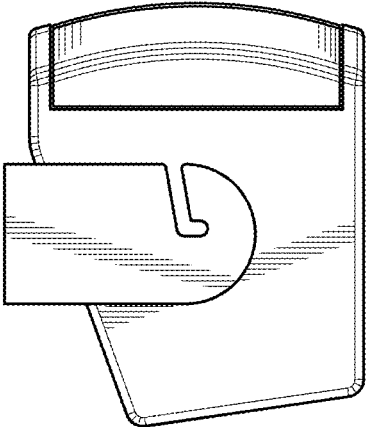


FIG. 6