



US00D822992S

(12) **United States Design Patent**
Berger

(10) **Patent No.:** **US D822,992 S**
(45) **Date of Patent:** **** Jul. 17, 2018**

(54) **LUGGAGE WITH INTEGRATED TROLLEY**

6,431,319 B1 8/2002 Myers et al.
D465,085 S * 11/2002 Chen D3/279
6,594,951 B1 7/2003 Reynolds
6,811,006 B1 * 11/2004 Mundle A45C 13/02
190/1

(71) Applicant: **Aviad Berger**, Rehovot (IL)

(72) Inventor: **Aviad Berger**, Rehovot (IL)

(Continued)

(**) Term: **15 Years**

(21) Appl. No.: **29/588,464**

(22) Filed: **Dec. 21, 2016**

(51) **LOC (11) Cl.** **03-01**

(52) **U.S. Cl.**
USPC **D3/274; D3/279; D3/282**

(58) **Field of Classification Search**
USPC D3/273, 274, 276, 279, 281, 282, 284,
D3/289, 902
CPC .. A45C 3/00; A45C 3/004; A45C 5/00; A45C
5/03; A45C 2005/037; A45C 5/04; A45C
2200/15; A45C 5/14
See application file for complete search history.

(56) **References Cited**

U.S. PATENT DOCUMENTS

1,176,876	A	3/1916	Vartabedian	
1,592,944	A	7/1926	Jones	
2,623,755	A	12/1952	Terry	
2,805,905	A	9/1957	Levitan et al.	
4,049,091	A *	9/1977	Chubb	A45C 3/02 190/102
4,122,924	A	10/1978	Wasserman	
4,249,749	A	2/1981	Collier	
D302,618	S	8/1989	Gotteslig	
5,002,293	A	3/1991	Gottselig	
5,033,758	A	7/1991	Levy	
5,123,665	A	6/1992	Levy	
D333,492	S *	2/1993	Paredes	D21/303
5,242,218	A *	9/1993	Cota	A45C 5/00 248/461 D12/413
D373,105	S *	8/1996	Imotani	D3/276
5,979,927	A	11/1999	Hale	
D425,301	S *	5/2000	Sagol	D3/276
D435,967	S *	1/2001	Tiramani	D3/273

OTHER PUBLICATIONS

Kickstarter, "neXstep Luggage", launched Sep. 25, 2014. (<https://www.kickstarter.com/projects/1690483915/nexstep-luggage/>).*

Primary Examiner — Jennifer Rivard

Assistant Examiner — April Rivas

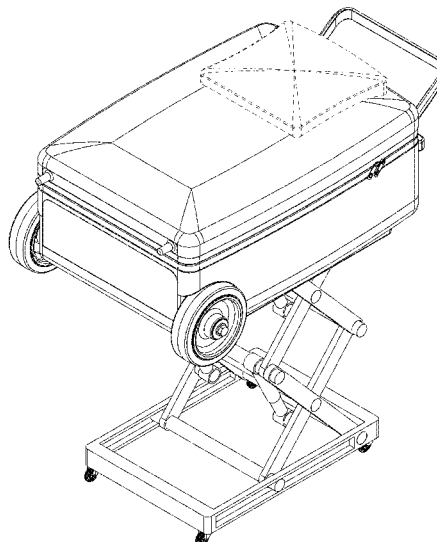
(57) **CLAIM**

The ornamental design for a luggage with integrated trolley, substantially as shown and described.

DESCRIPTION

FIG. 1 is a perspective view of a piece of luggage with an integrated trolley, with the trolley extended, showing my new design;
FIG. 2 is a top view thereof;
FIG. 3 is another perspective view thereof;
FIG. 4 is a back view thereof;
FIG. 5 is a left side view thereof;
FIG. 6 is a front view thereof;
FIG. 7 is a bottom view thereof;
FIG. 8 is perspective view of the piece of luggage with the integrated trolley, with the trolley collapsed;
FIG. 9 is a top view thereof;
FIG. 10 is another perspective view thereof;
FIG. 11 is a front view thereof;
FIG. 12 is a left side view thereof;
FIG. 13 is a back view thereof; and,
FIG. 14 is a bottom view thereof.
The broken lines illustrate portions of the luggage with integrated trolley and form no part of the claimed design.

1 Claim, 14 Drawing Sheets



(56)

References Cited

U.S. PATENT DOCUMENTS

7,249,771	B1	7/2007	Brennan et al.	
7,870,937	B1	1/2011	Amao	
8,052,120	B2	11/2011	Bacon	
8,172,255	B1	5/2012	Martin	
D672,955	S *	12/2012	Benshetrit	D3/279
9,295,311	B2 *	3/2016	Gadzinski	A45C 5/146
2005/0140119	A1	6/2005	Wong	
2007/0278058	A1	12/2007	Angel	
2010/0263977	A1 *	10/2010	Wu	A45C 5/14 190/18 A
2011/0108381	A1 *	5/2011	Gibson	A45C 9/00 190/11
2012/0276620	A1	11/2012	Kravitz et al.	
2012/0288354	A1	11/2012	Moore	
2015/0265016	A1	9/2015	Cavalheiro	
2015/0314026	A1	11/2015	Mauzerall et al.	
2015/0336780	A1	11/2015	Beyer et al.	
2017/0360173	A1 *	12/2017	Berger	B62B 3/0625

* cited by examiner

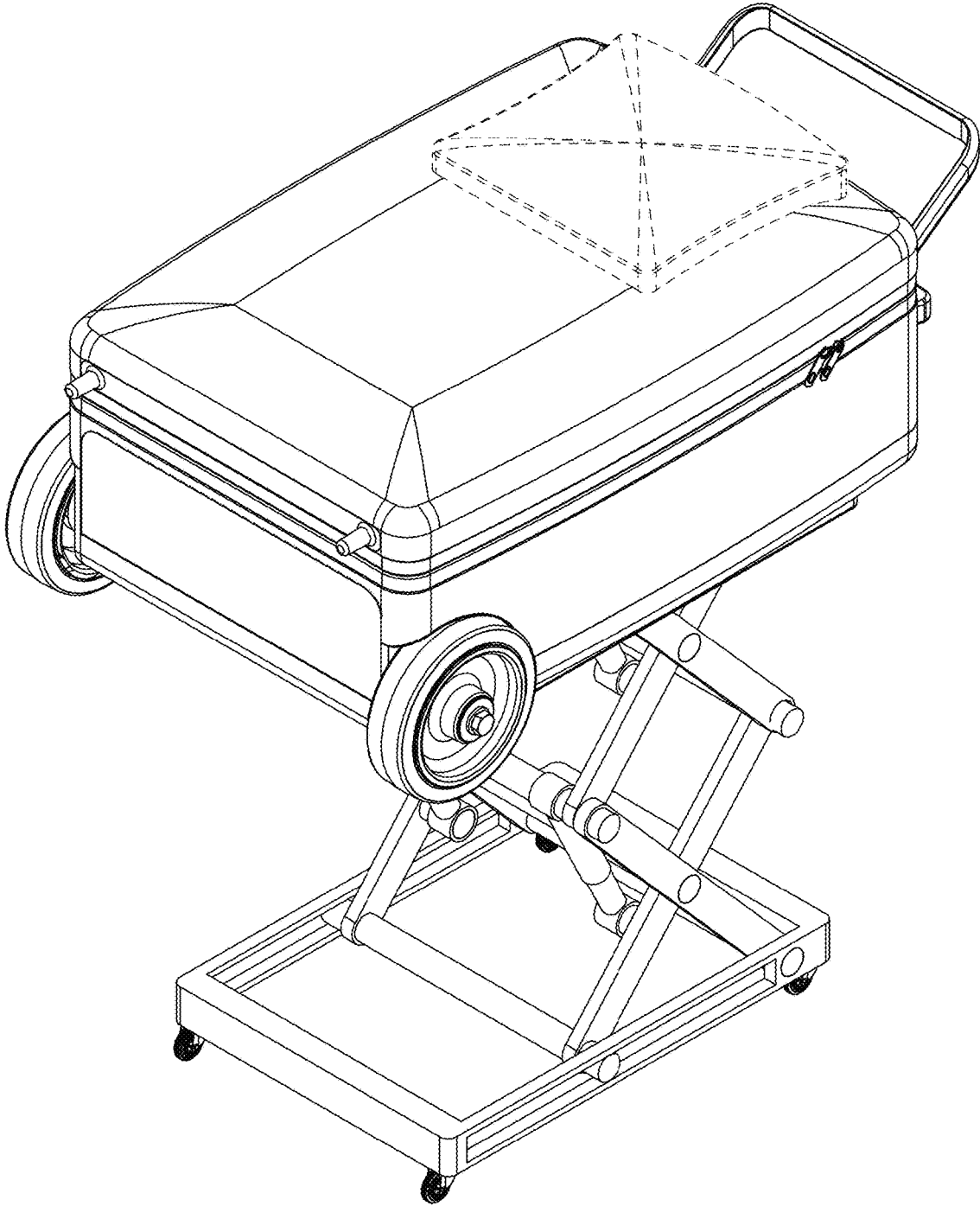


FIG. 1

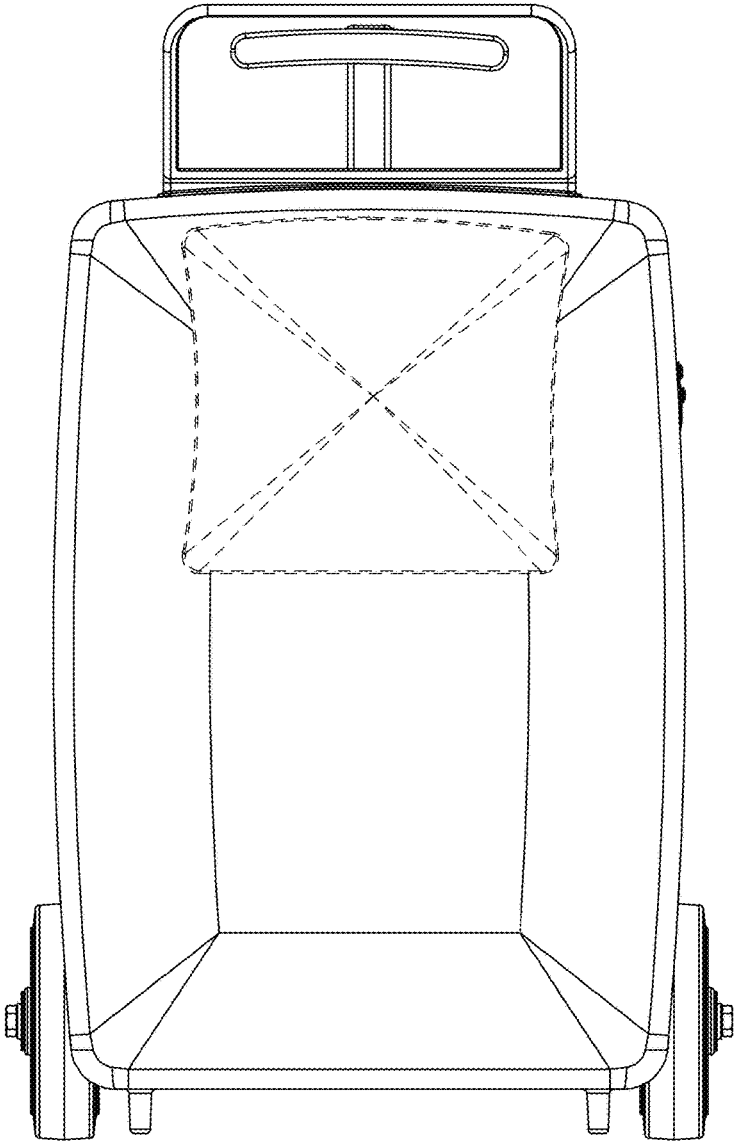


FIG. 2

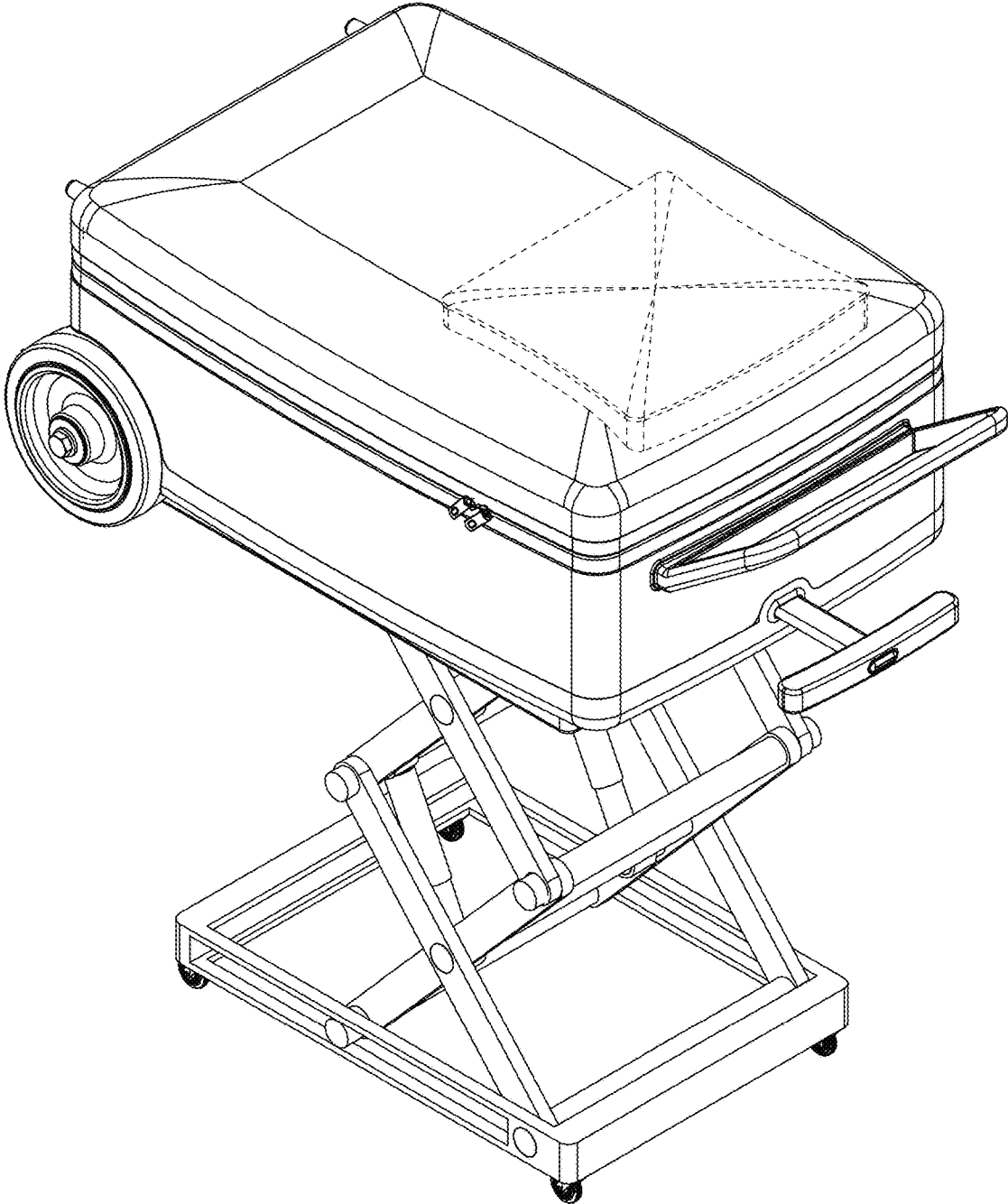


FIG. 3

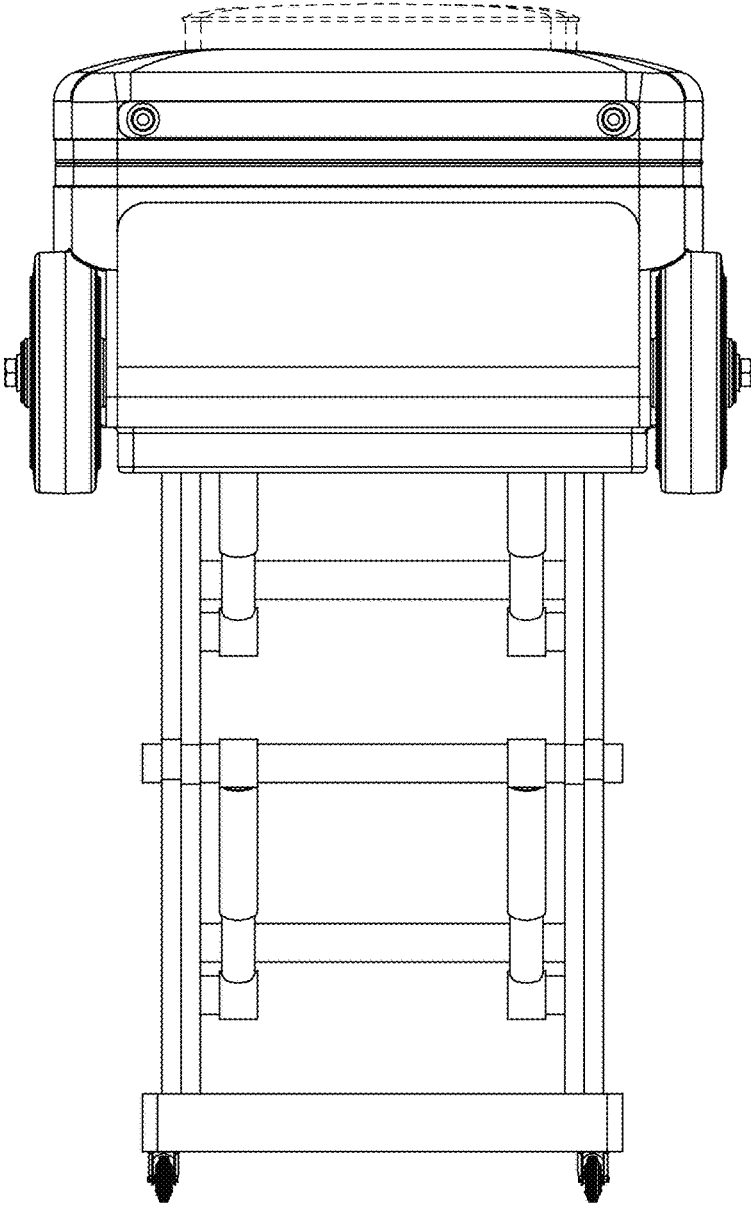


FIG. 4

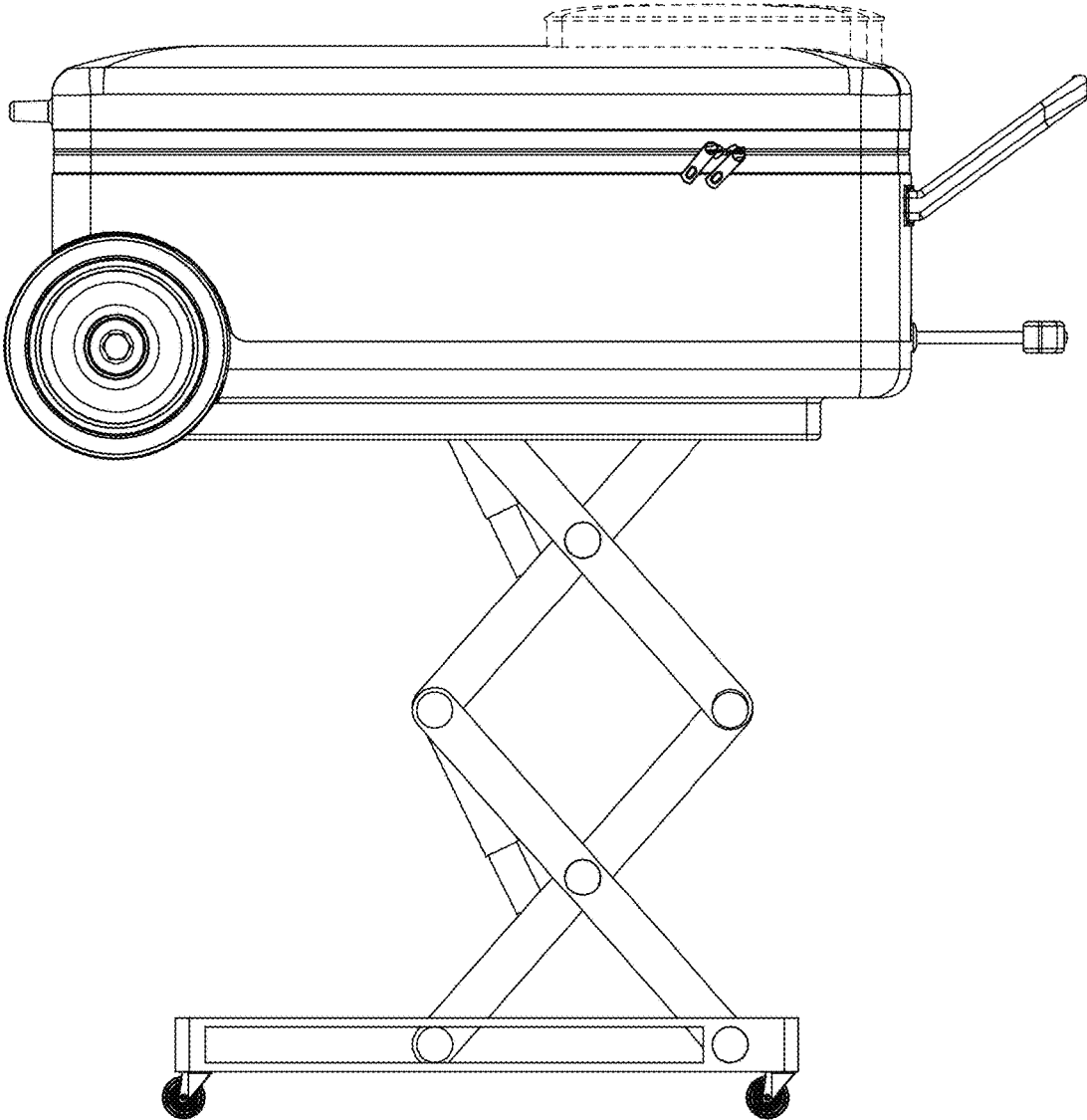


FIG. 5

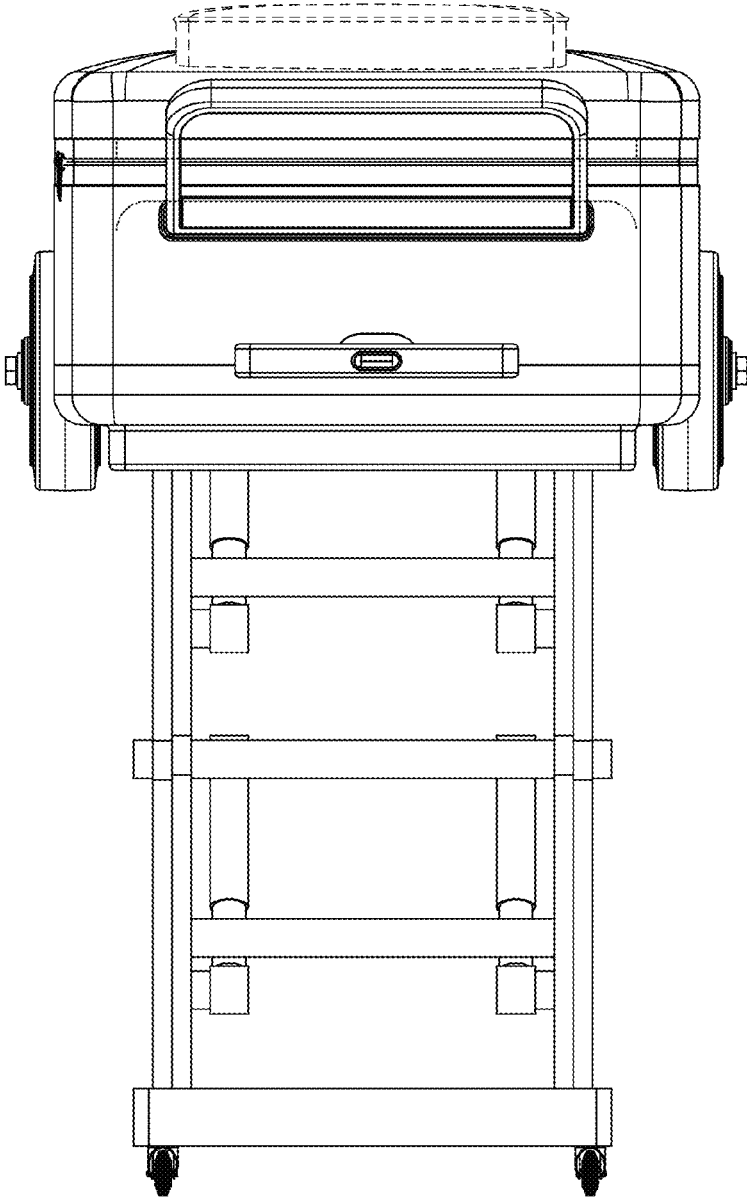


FIG. 6

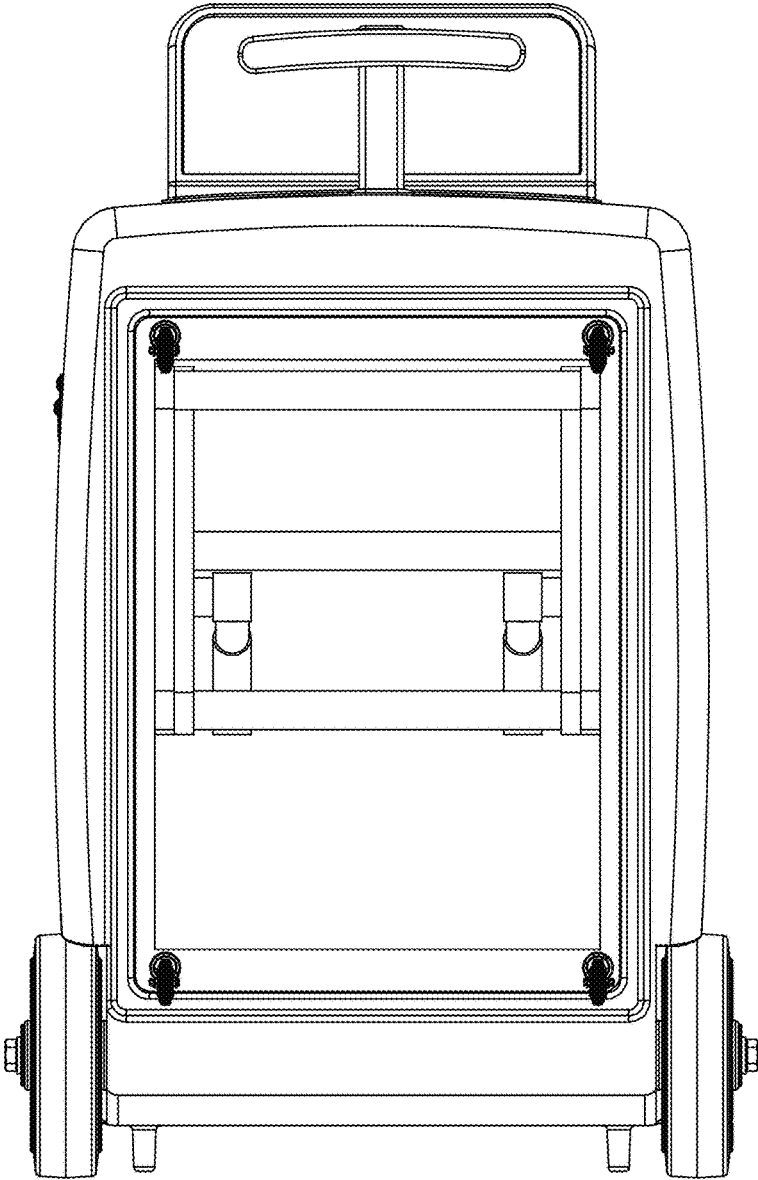


FIG. 7

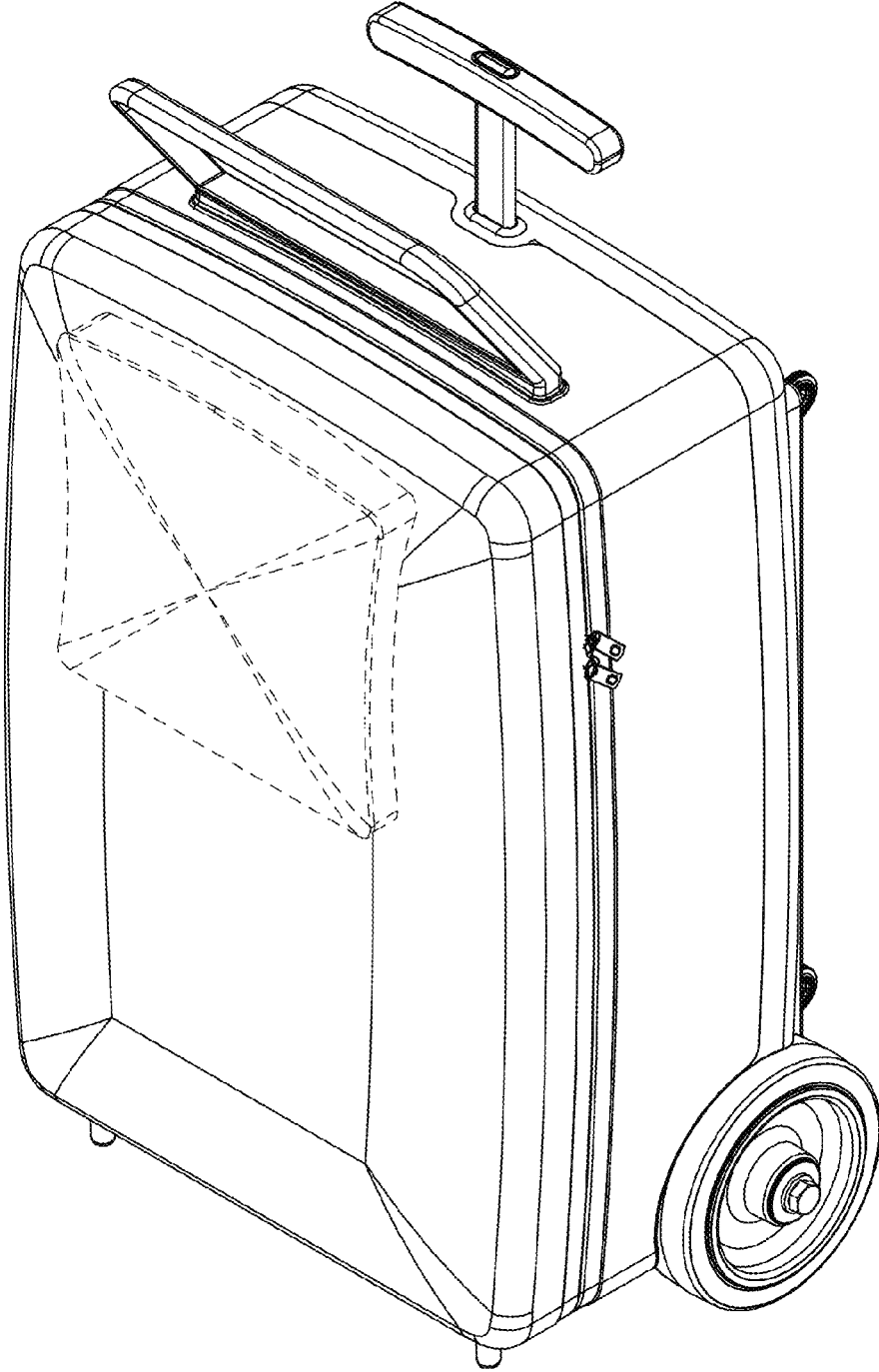


FIG. 8

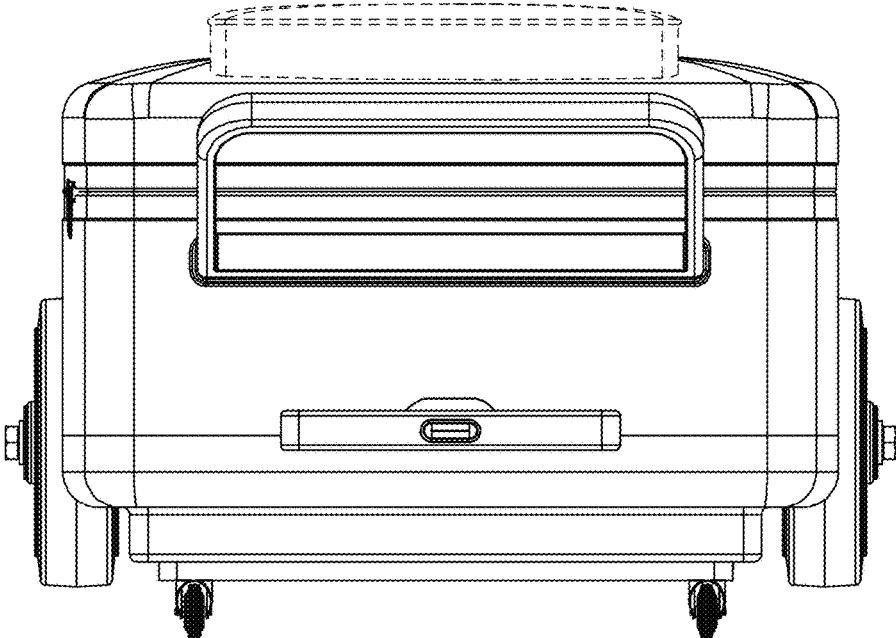


FIG. 9

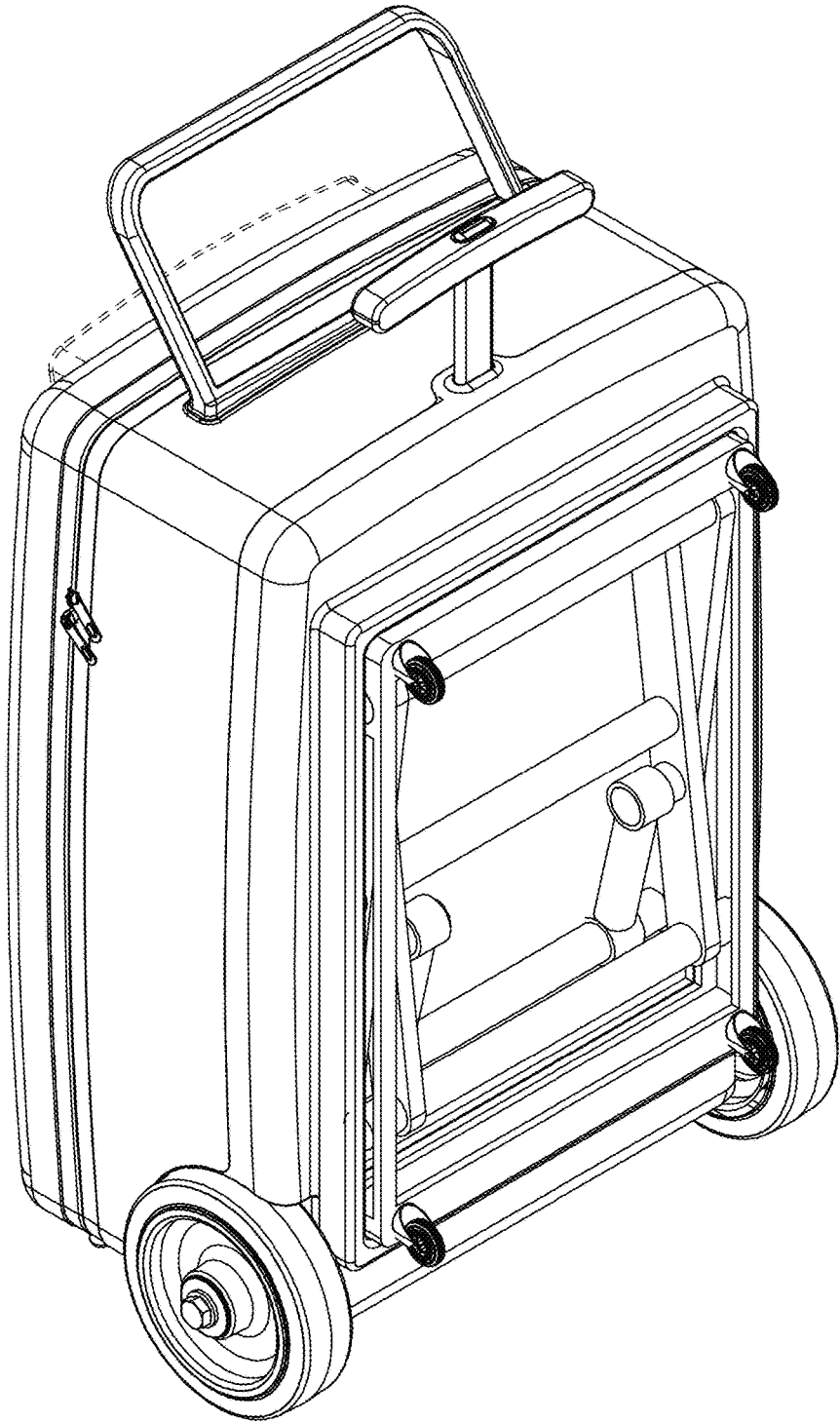


FIG. 10

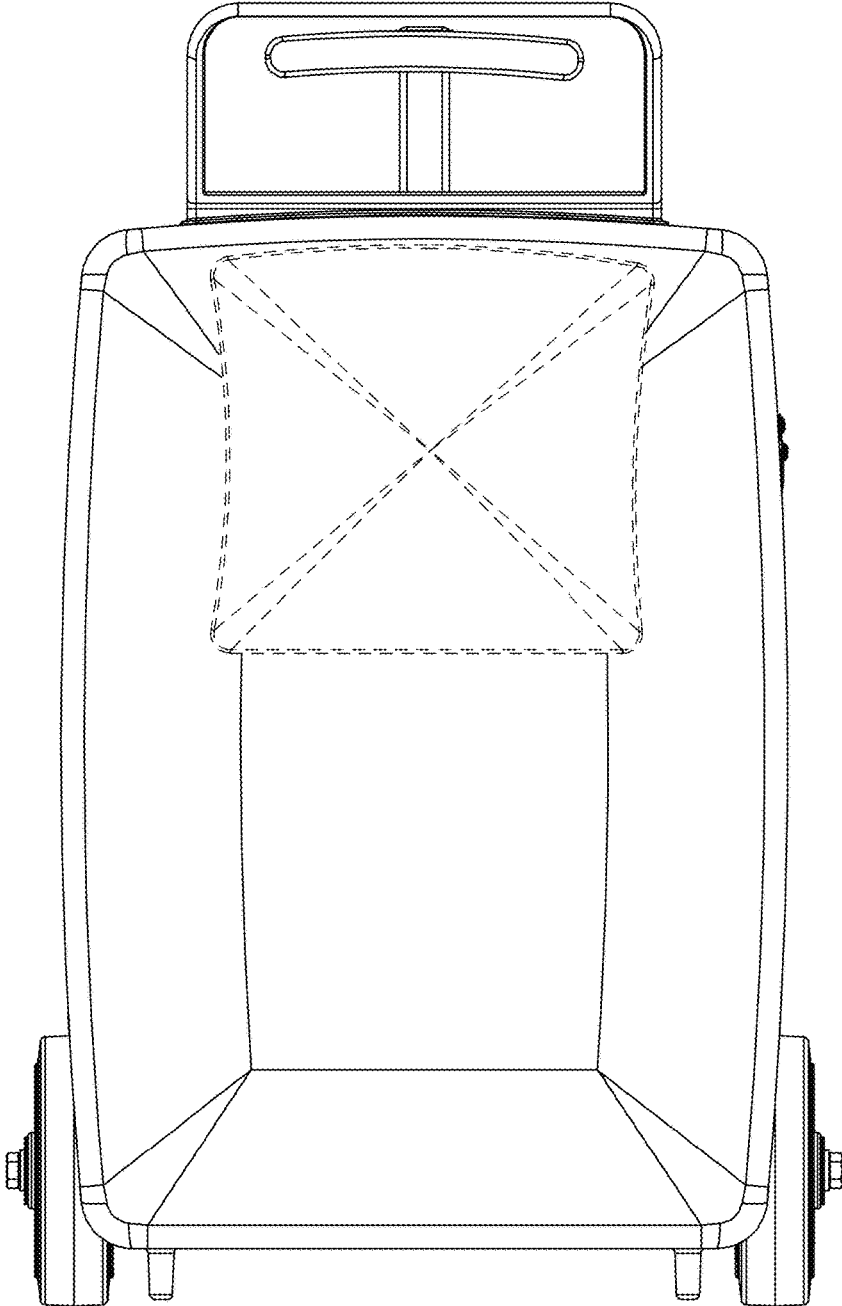


FIG. 11

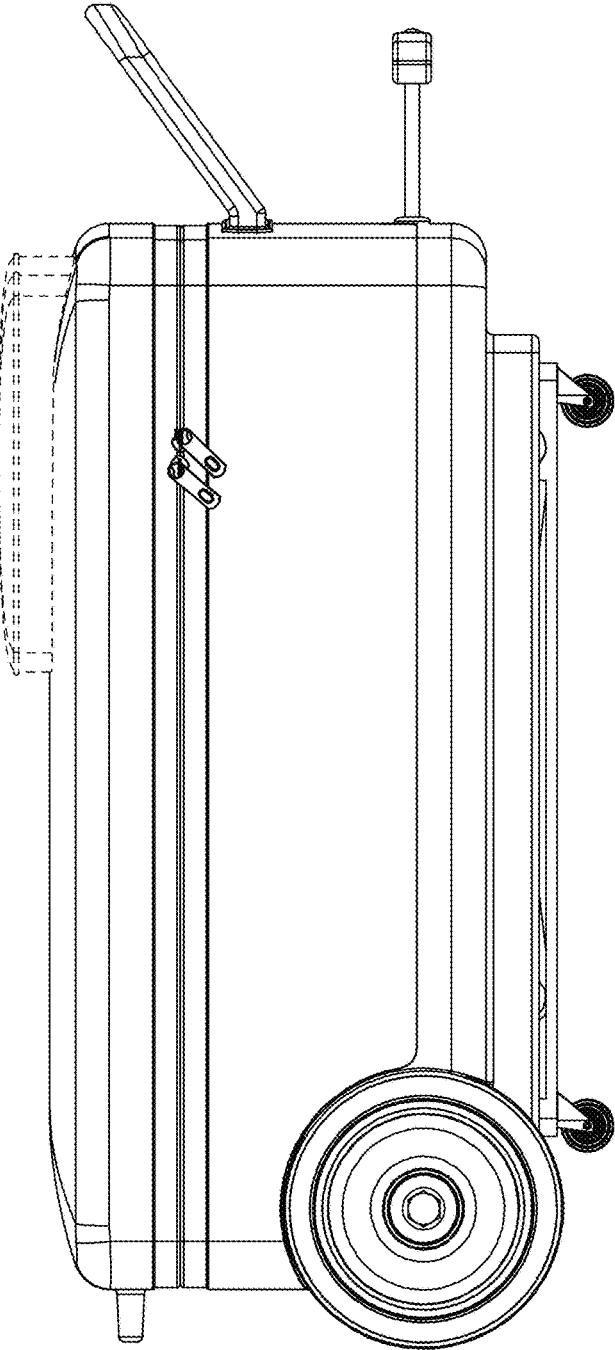


FIG. 12

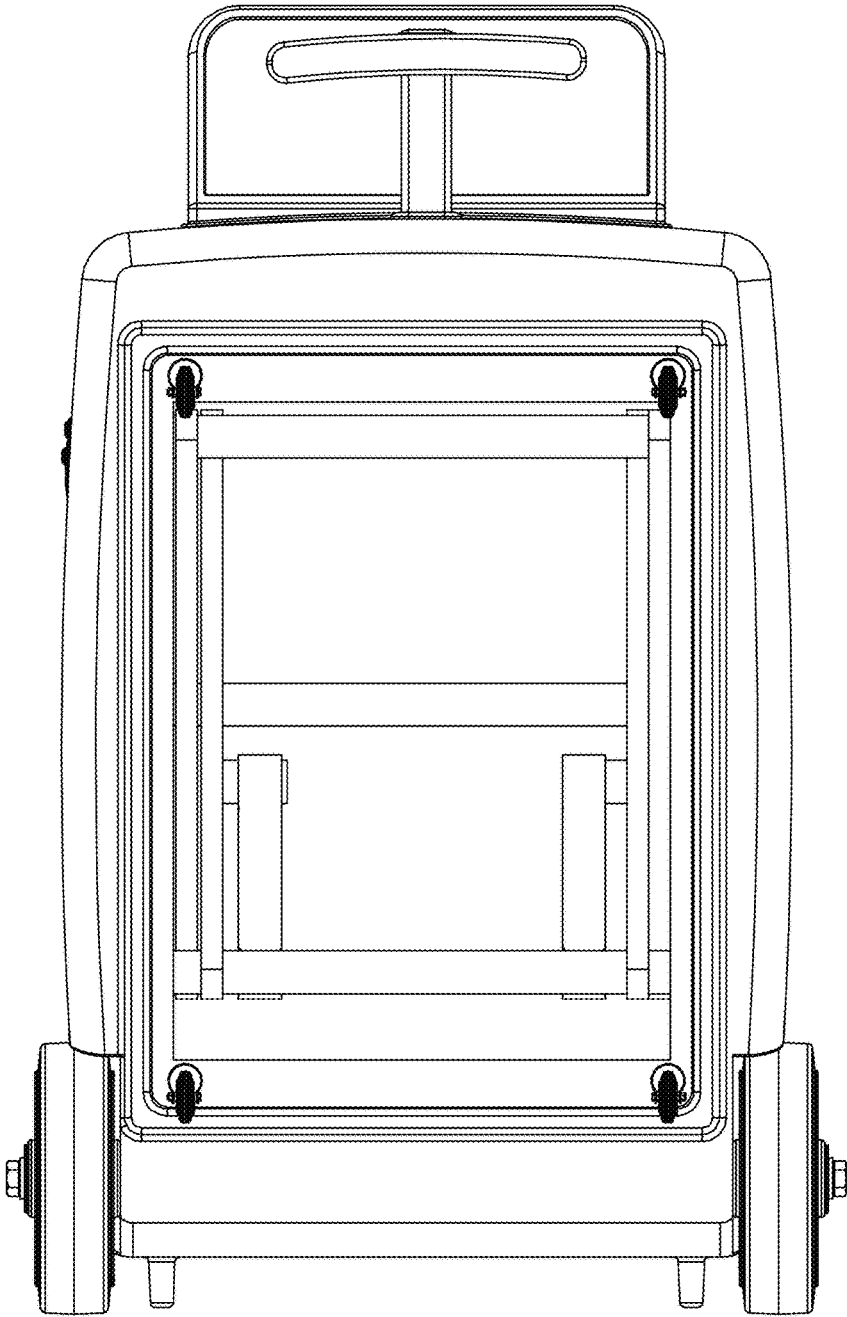


FIG. 13

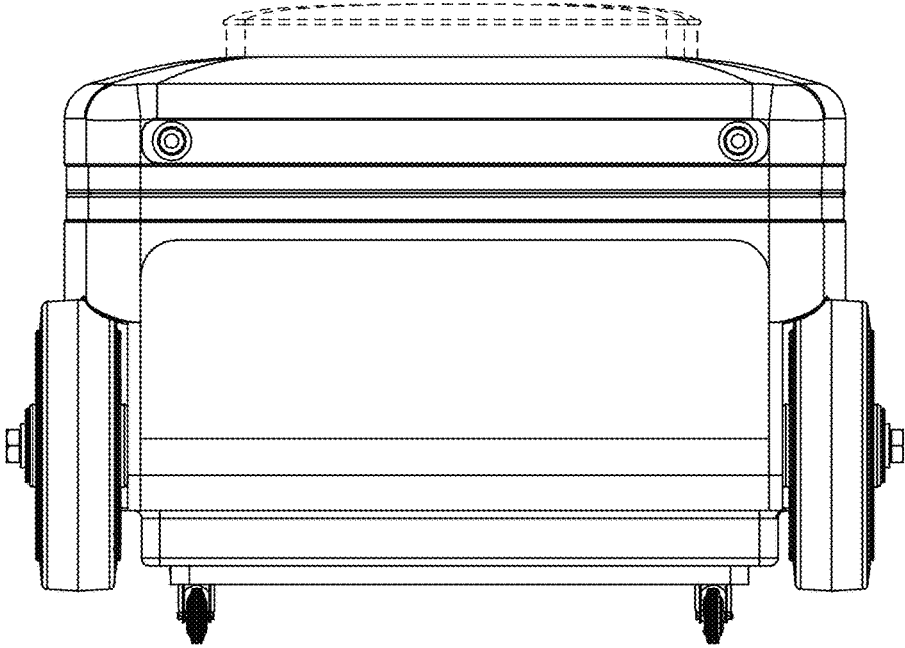


FIG. 14