



US00D637181S

(12) **United States Design Patent**
Fuller et al.

(10) **Patent No.:** **US D637,181 S**

(45) **Date of Patent:** **** May 3, 2011**

(54) **HEADPHONE**

(75) Inventors: **Glen D. Fuller**, Indianapolis, IN (US);
Mark A. Blanchard, Lebanon, IN (US);
Thomas E. Gospel, Carmel, IN (US);
Bradley C. Geswein, Plainfield, IN (US)

(73) Assignee: **Klipsch Group, Inc.**, Indianapolis, IN (US)

(**) Term: **14 Years**

(21) Appl. No.: **29/348,856**

(22) Filed: **Feb. 16, 2010**

(51) **LOC (9) Cl.** **14-01**

(52) **U.S. Cl.** **D14/223**

(58) **Field of Classification Search** D14/205,
D14/206, 223, 249; 181/129, 130, 135; 379/430,
379/431, 433.01, 433.02, 433.03; 381/380,
381/381, 370; D29/112; 455/90.3, 575.2

See application file for complete search history.

(56) **References Cited**

U.S. PATENT DOCUMENTS

D340,932 S * 11/1993 Yan D14/249
D567,217 S * 4/2008 Kamo et al. D14/205
D572,703 S * 7/2008 Ledbetter et al. D14/205

D587,681 S * 3/2009 Yanai D14/205
D589,493 S * 3/2009 Densho D14/206
D605,182 S * 12/2009 Fagnot D14/223
D606,971 S * 12/2009 Christopher et al. D14/205
D607,880 S * 1/2010 Chung et al. D14/223
D616,874 S * 6/2010 Matsuoka D14/223
D618,670 S * 6/2010 Tahara D14/223
D618,672 S * 6/2010 Harbeke et al. D14/223
D622,855 S * 8/2010 Cano, Jr. D24/174

* cited by examiner

Primary Examiner — Paula Greene

(74) *Attorney, Agent, or Firm* — Krieg DeVault LLP

(57) **CLAIM**

The ornamental design for a headphone, as shown and described.

DESCRIPTION

FIG. 1 is a perspective view of a headphone showing our new design;

FIG. 2 is a left side elevational view thereof;

FIG. 3 is a right side elevational view thereof;

FIG. 4 is a front elevational view thereof;

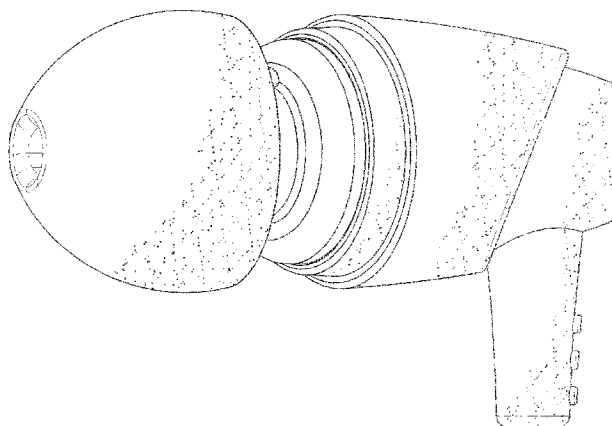
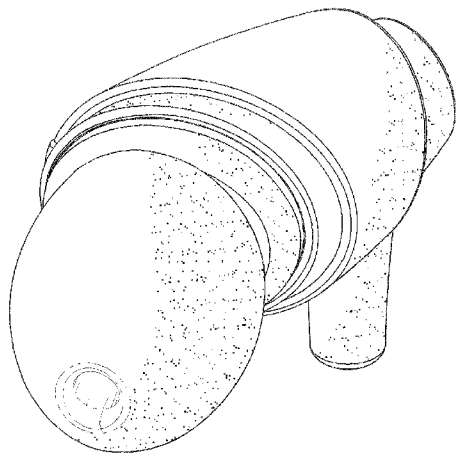
FIG. 5 is a back view of the new design;

FIG. 6 is a bottom view thereof; and,

FIG. 7 is a top plan view thereof.

The broken lines form no part of the claimed design.

1 Claim, 7 Drawing Sheets



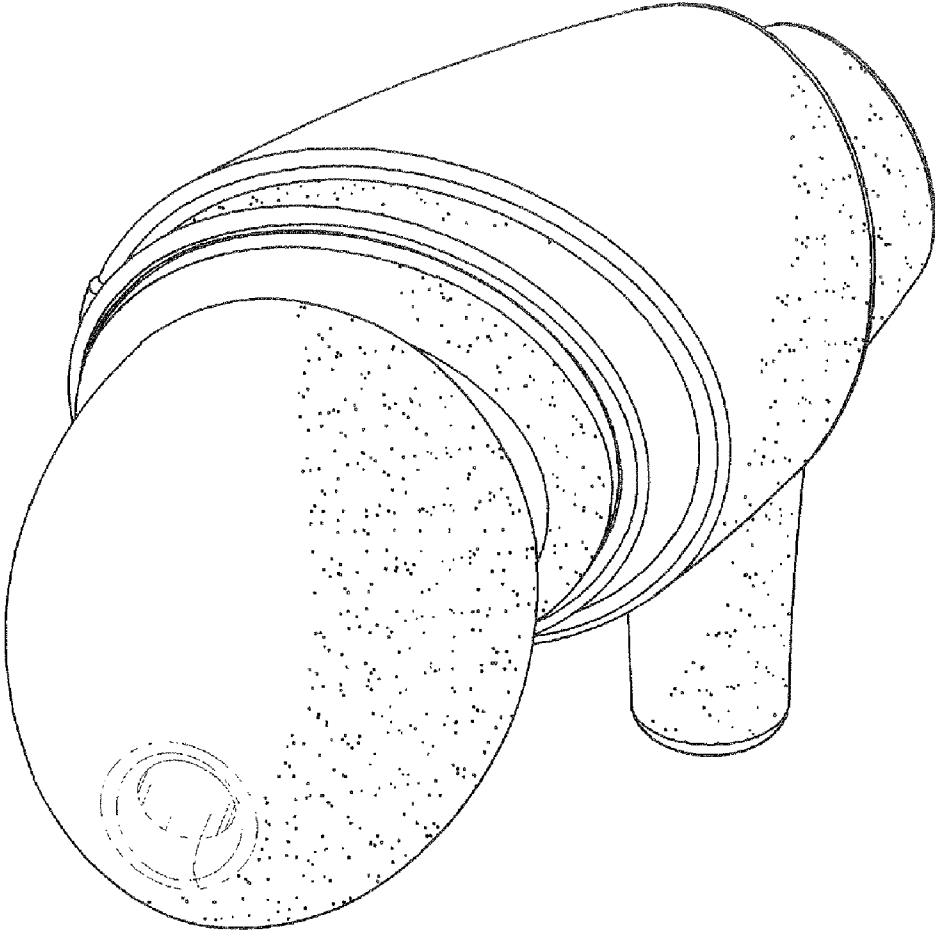


Fig. 1

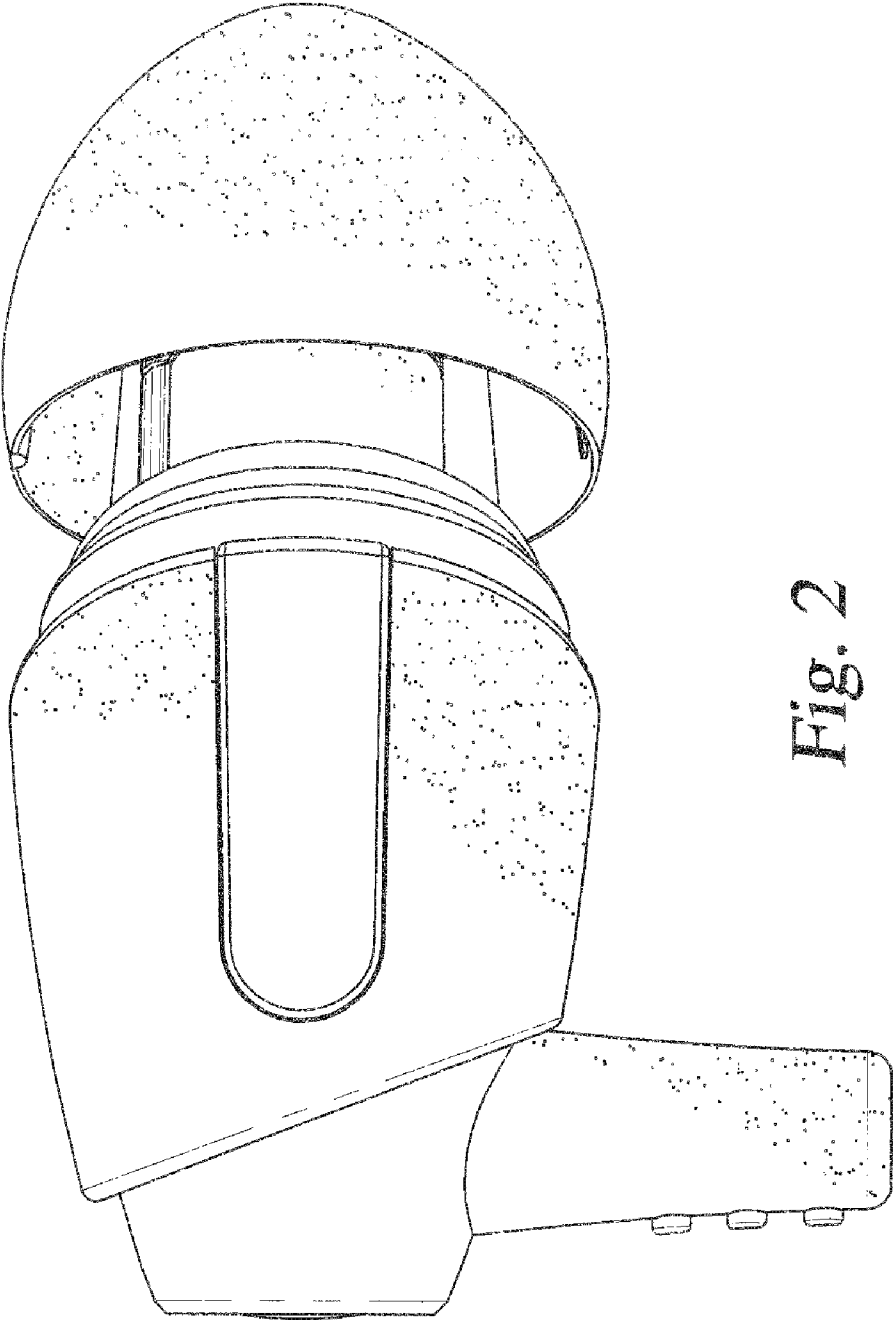


Fig. 2

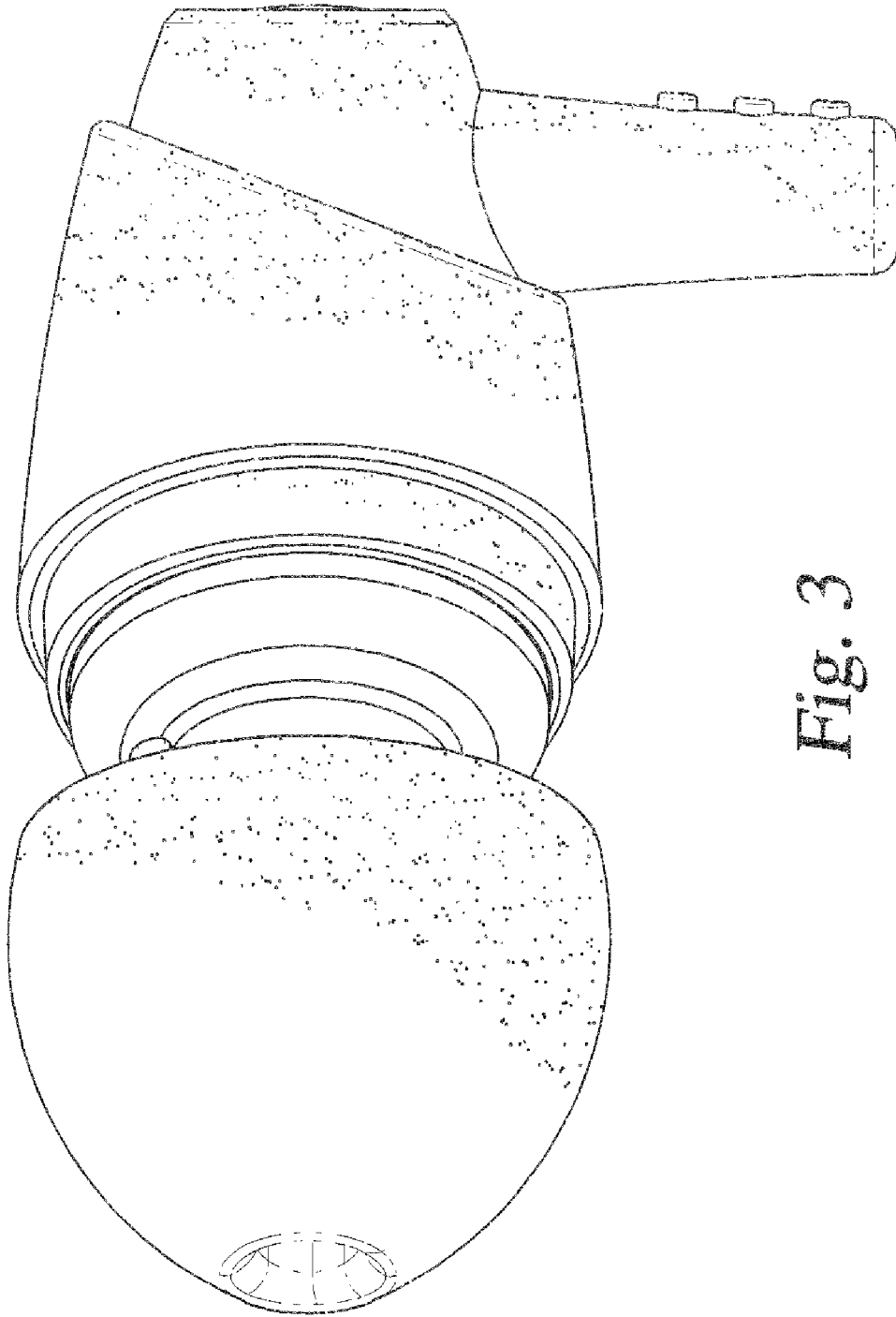


Fig. 3

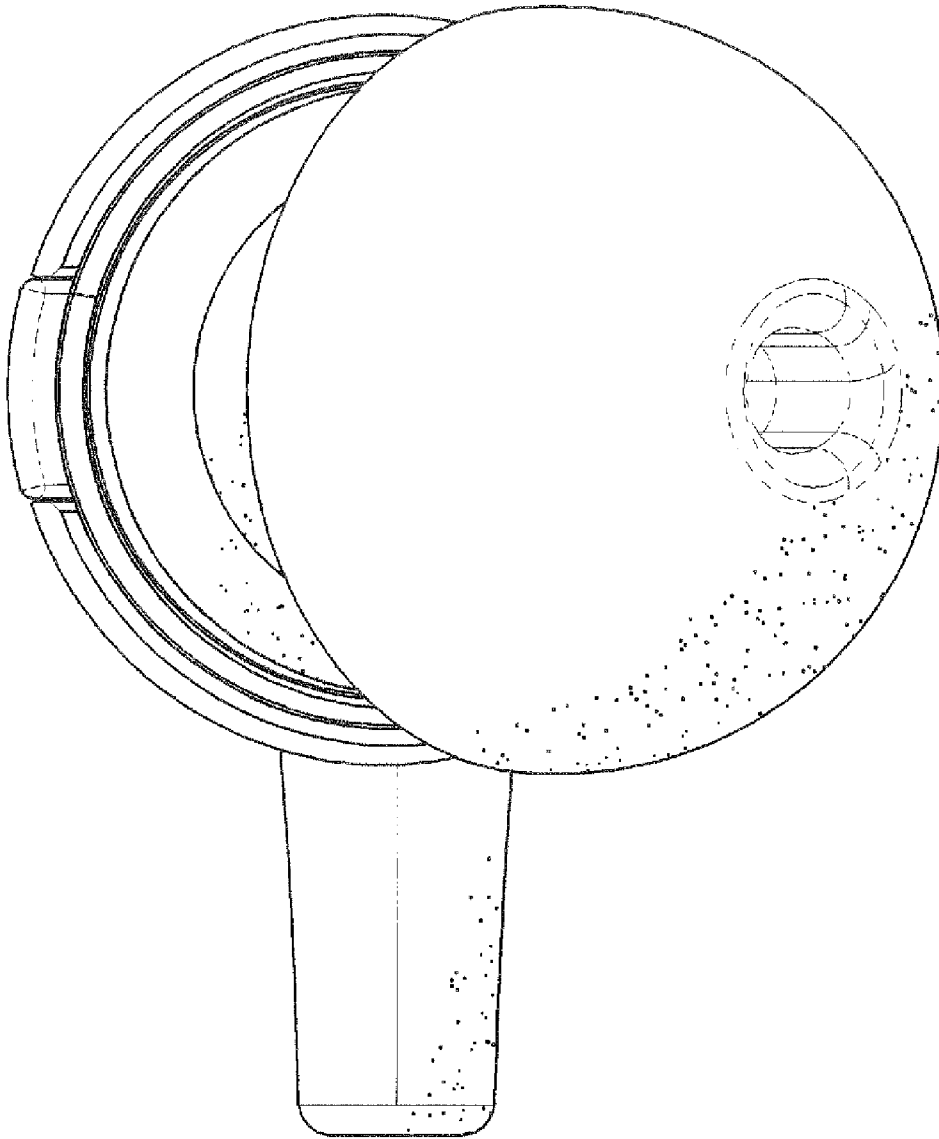


Fig. 4

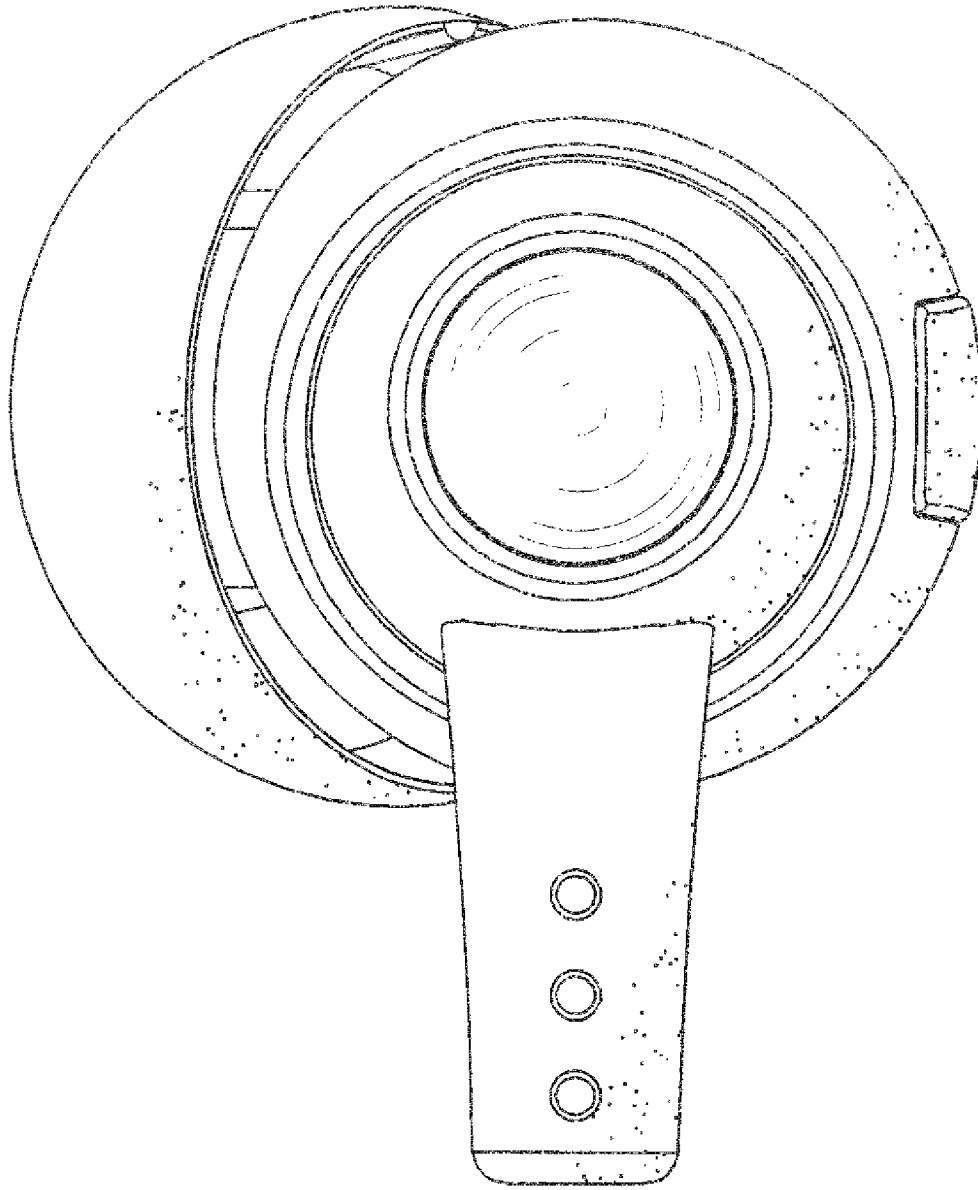


Fig. 5

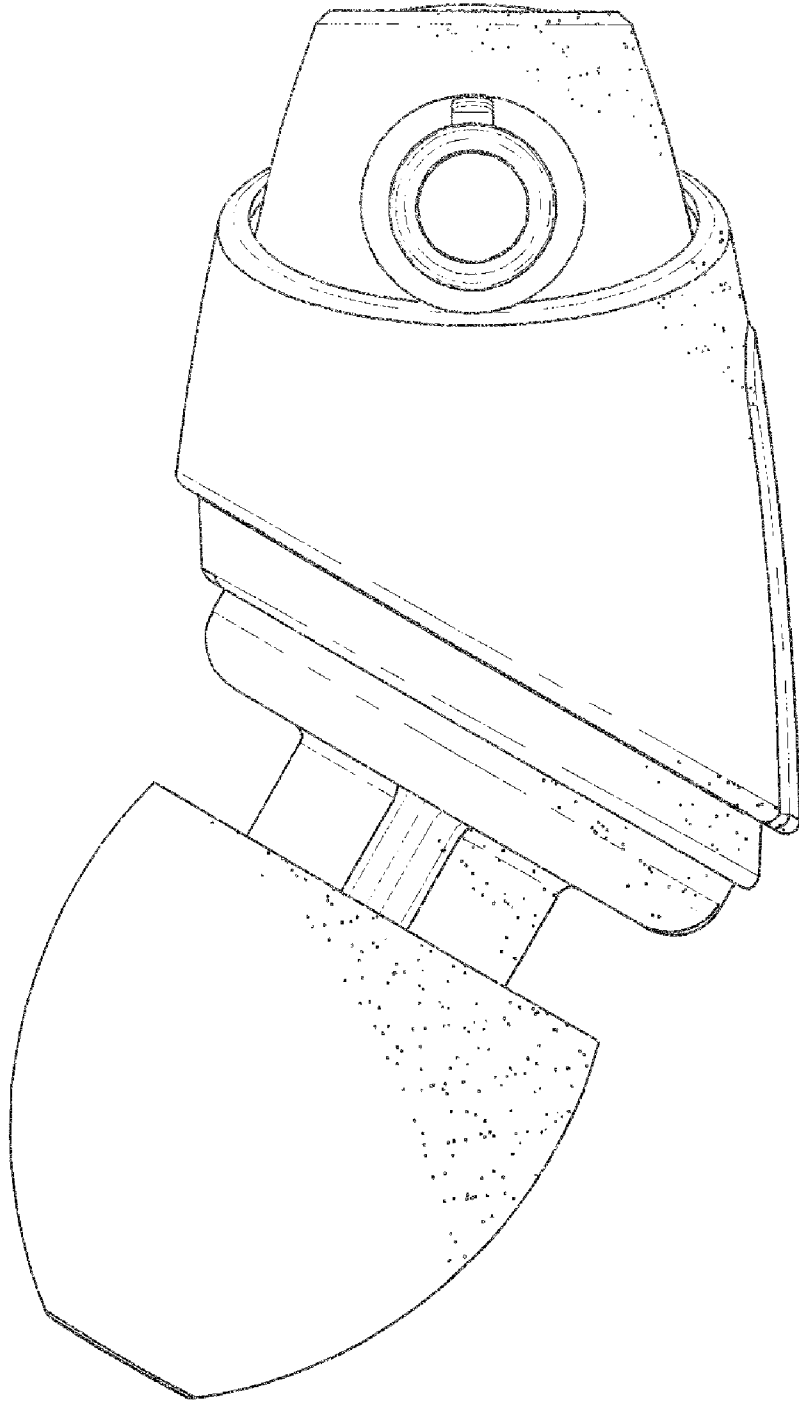


Fig. 6

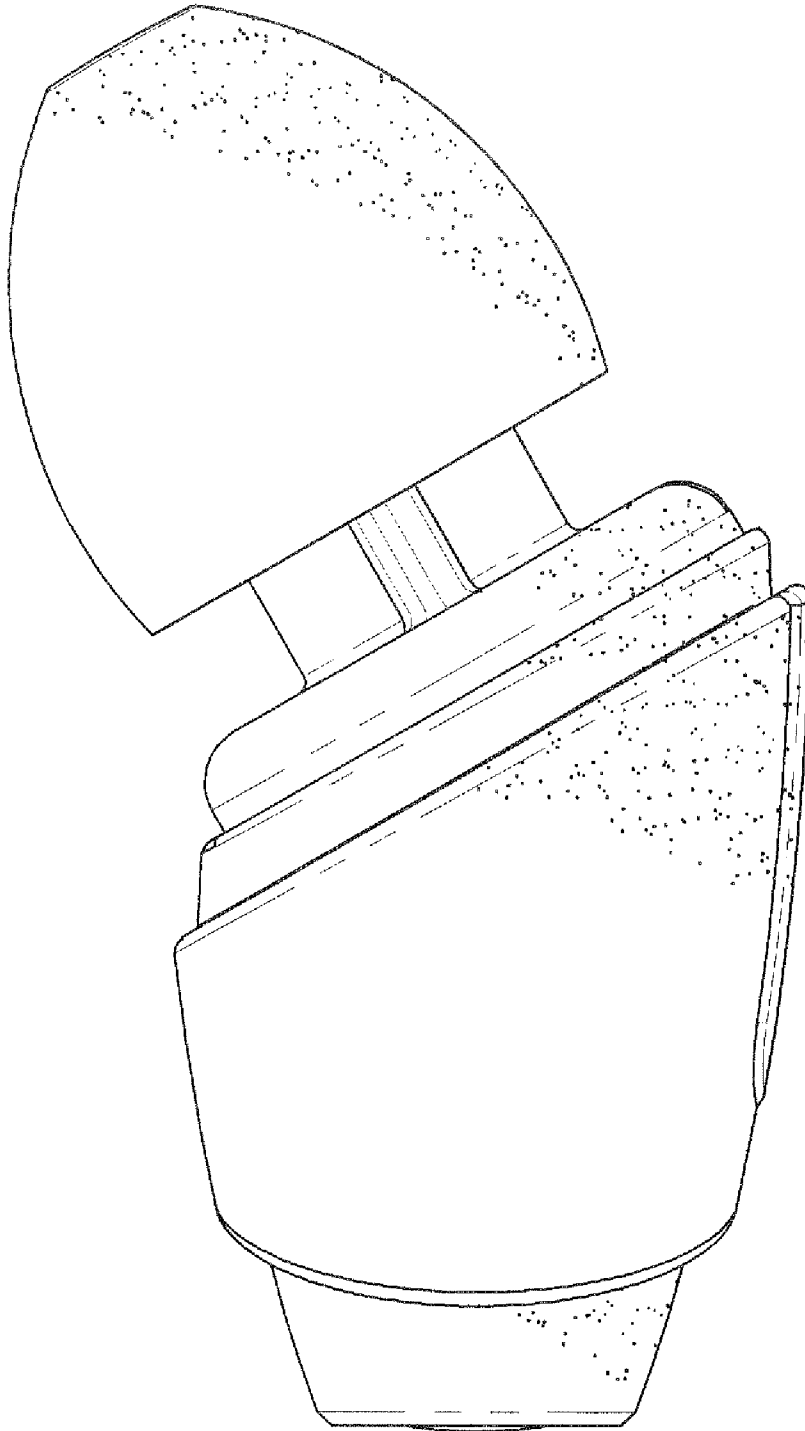


Fig. 7