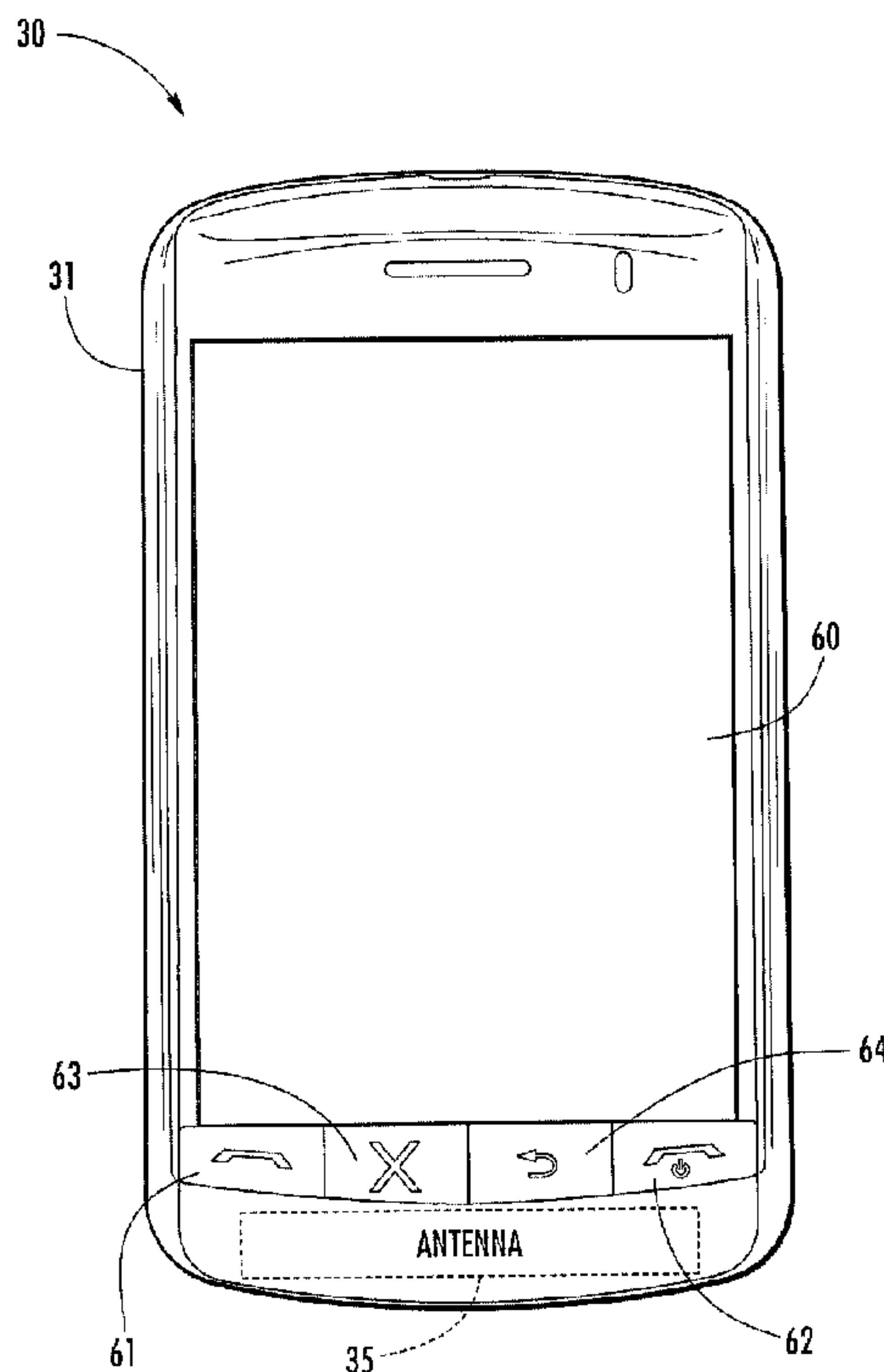




(22) Date de dépôt/Filing Date: 2011/08/09
 (41) Mise à la disp. pub./Open to Public Insp.: 2012/02/09
 (45) Date de délivrance/Issue Date: 2016/05/31
 (30) Priorités/Priorities: 2010/08/09 (US61/371,969);
 2011/01/19 (US13/009,183)

(51) Cl.Int./Int.Cl. *H04W 88/02* (2009.01),
H01Q 1/36 (2006.01), *H01Q 7/00* (2006.01),
H05K 5/02 (2006.01), *H05K 1/00* (2006.01)
 (72) Inventeurs/Inventors:
 LAI, CHUN KIT, US;
 LUKIC, MILAN VELIMIR, US;
 OOI, SOO LIAM, US
 (73) Propriétaire/Owner:
 BLACKBERRY LIMITED, CA
 (74) Agent: RIDOUT & MAYBEE LLP

(54) Titre : DISPOSITIF MOBILE SANS FIL A ANTENNE CADRE MULTIBANDES ET PROCEDES CONNEXES
 (54) Title: MOBILE WIRELESS DEVICE WITH MULTI-BAND LOOP ANTENNA AND RELATED METHODS



(57) **Abrégé/Abstract:**

A mobile wireless communications device may include a portable housing, a printed circuit board (PCB) carried by the portable housing, and wireless transceiver circuitry carried by the PCB. The mobile wireless communications device also may include an antenna coupled to the wireless transceiver circuitry. The antenna may include a loop conductor, a first conductor body coupled to the loop conductor and extending into the interior thereof to define a first slotted opening with adjacent portions of the loop conductor, and a second conductor body coupled to the loop conductor and extending into the interior thereof to define a second slotted opening with adjacent portions of the loop conductor. The antenna may further include a conductor arm coupled to the loop conductor and extending outwardly therefrom. The first and second conductor bodies may be spaced apart to define a third slotted opening therebetween.

Abstract

A mobile wireless communications device may include a portable housing, a printed circuit board (PCB) carried by the portable housing, and wireless transceiver circuitry carried by the PCB. The mobile wireless communications device also may include an antenna coupled to the wireless transceiver circuitry. The antenna may include a loop conductor, a first conductor body coupled to the loop conductor and extending into the interior thereof to define a first slotted opening with adjacent portions of the loop conductor, and a second conductor body coupled to the loop conductor and extending into the interior thereof to define a second slotted opening with adjacent portions of the loop conductor. The antenna may further include a conductor arm coupled to the loop conductor and extending outwardly therefrom. The first and second conductor bodies may be spaced apart to define a third slotted opening therebetween.

**MOBILE WIRELESS DEVICE WITH MULTI-BAND
LOOP ANTENNA AND RELATED METHODS**

Technical Field

[0001] The present disclosure generally relates to the field of wireless communications systems, and, more particularly, to mobile wireless communications devices and related methods.

Background

[0002] Mobile wireless communications systems continue to grow in popularity and have become an integral part of both personal and business communications. For example, cellular telephones allow users to place and receive voice calls almost anywhere they travel. Moreover, as cellular telephone technology has increased, so too has the functionality of cellular devices and the different types of devices available to users. For example, many cellular devices now incorporate personal digital assistant (PDA) features such as calendars, address books, task lists, etc. Moreover, such multi-function devices may also allow users to wirelessly send and receive electronic mail (email) messages and access the Internet via a cellular network and/or a wireless local area network (WLAN), for example.

[0003] Even so, as the functionality of cellular communications devices continues to increase, so too does the demand for smaller devices which are easier and more convenient for users to carry. One challenge this poses for cellular device manufacturers is designing antennas that provide desired operating characteristics within the relatively limited amount of space available for antennas.

Brief Description of the Drawings

[0004] FIG. 1 is a front view of a mobile wireless communications device including an antenna in accordance with one exemplary aspect.

[0005] FIG. 2 is a schematic diagram of the printed circuit board (PCB) and the antenna of the device of FIG. 1.

[0006] FIG. 3 is perspective view of the antenna and a portion of the PCB of FIG. 2.

[0007] FIG. 4 is a return loss graph of the antenna of FIG. 2.

[0008] FIG. 5 is a perspective view of an antenna and a portion of a PCB in accordance with another exemplary aspect.

[0009] FIG. 6 is a return loss graph of the antenna of FIG. 5.

[0010] FIG. 7 is a Smith chart of impedance of the antenna of FIG. 5.

[0011] FIG. 8 is a perspective view of an antenna and a portion of a PCB in accordance with another exemplary aspect.

[0012] FIG. 9 is a return loss graph of the antenna of FIG. 8.

[0013] FIG. 10 is a Smith chart of impedance of the antenna of FIG. 8.

[0014] FIG. 11 is a perspective view of an antenna and a portion of a PCB in accordance with another exemplary aspect.

[0015] FIG. 12 is a schematic diagram of an antenna in accordance with another exemplary aspect.

[0016] FIGS. 13a-13c are currents maps of the antenna of FIG. 12.

[0017] FIG. 14 is an antenna and a portion of a PCB in accordance with another exemplary aspect.

[0018] FIG. 15 is a schematic block diagram illustrating additional components that may be included in the mobile wireless communications device of FIG. 1.

Detailed Description

[0019] The present description is made with reference to the accompanying drawings, in which various embodiments are shown. However, many different embodiments may be used, and thus the description should not be construed as limited to the embodiments set forth herein. Rather, these embodiments are provided so that this disclosure will be thorough and complete. Like numbers refer to like elements throughout and prime notation is used to indicate similar elements in alternative embodiments.

[0020] In accordance with one exemplary aspect, a mobile wireless communications device may include a portable housing a printed circuit board (PCB) carried by the portable housing, and wireless transceiver circuitry carried by the PCB. The mobile wireless communications device also may include an antenna coupled to the wireless transceiver circuitry. The antenna may include a loop conductor, a first conductor body coupled to the loop conductor and extending into the interior thereof to define a first slotted opening with adjacent portions of the loop conductor, and a second conductor body coupled to the loop conductor and extending into the interior thereof to define a second slotted opening with adjacent portions of the loop conductor. The antenna may further include a conductor arm coupled to the loop conductor and extending outwardly therefrom. The first and second conductor bodies may be

spaced apart to define a third slotted opening therebetween. Accordingly, the antenna may provide increased multi-band and hearing aid compatibility (HAC) performance.

[0021] The loop conductor may have a gap therein between the first and second conductor bodies. The antenna may further include first and second conductor feed legs on respective opposing sides of the gap in the loop conductor. The first and second conductor feed legs may also position the loop conductor and first and second conductor bodies in spaced relation above the PCB.

[0022] The loop conductor may have a rectangular shape, for example. The first and second conductor bodies also may have a rectangular shape. The conductor arm may have a slotted opening therein. The PCB may include a ground plane beneath the antenna.

[0023] A method aspect may be directed to a method of making a mobile wireless communications device including a portable housing, a printed circuit board (PCB) carried by a portable housing, and wireless transceiver circuitry carried by the PCB. The method may include forming an antenna to be coupled to the wireless transceiver circuitry by at least forming a loop conductor, and forming a first conductor body coupled to the loop conductor and extending into an interior thereof to define a first slotted opening with adjacent portions of the loop conductor. Forming the antenna may also be by forming a second conductor body coupled to the loop conductor and extending into the interior thereof to define a second slotted opening with adjacent portions of the loop conductor, and forming a conductor arm coupled to the loop conductor and extending outwardly therefrom. The first and second conductor bodies

may be spaced apart to define a third slotted opening therebetween.

[0024] Referring initially to FIGS. 1-3 and the graph **60** of FIG. 4, a mobile wireless communications device **30** illustratively includes a portable housing **31**, a printed circuit board (PCB) **32** carried by the portable housing, and wireless transceiver circuitry **33** carried by the portable housing. In some embodiments, not shown, the PCB **32** may be replaced by or used in conjunction with a metal chassis or other substrate. The PCB **32** also includes a conductive layer defining a ground plane **42**.

[0025] A satellite positioning signal receiver **34** is also carried by the portable housing **31**. The satellite positioning signal receiver **34** may be a Global Positioning System (GPS) satellite receiver, for example.

[0026] The exemplary device **30** further illustratively includes a display **60** and a plurality of control keys including an "off hook" (i.e., initiate phone call) key **61**, an "on hook" (i.e., discontinue phone call) key **62**, a menu key **63**, and a return or escape key **64**. Operation of the various device components and input keys, etc., will be described further below with reference to FIG. 12.

[0027] The device **30** further illustratively includes an antenna **35** coupled to the wireless transceiver circuitry **33**. The antenna **35** includes a loop conductor **36** that defines an interior. The loop conductor **36** illustratively has a rectangular shape. The loop conductor **36** may be other shapes, as will be appreciated by those skilled in the art. The antenna **35** may be about two inches wide by one-half inch high, for example. The antenna **35** may be other dimensions.

[0028] The antenna **35** also includes a first conductor body **41**. The first conductor body **41** is coupled to the loop conductor **36** and extends into the interior thereof to define a first slotted opening **43** with adjacent portions of the loop conductor. The first conductor body **41** also illustratively has a rectangular shape. The first conductor body **41** may be other shapes, to define the first slotted opening **43** to have different corresponding shapes.

[0029] More particularly, the size and shape of the first conductor body **41** advantageously defines the size and shape of the first slotted opening **43**, which determines one of the operating frequency bands. In the illustrated embodiment, the first slotted opening **43** has a J-shape. Other shapes may be formed to change the perimeter length of the first slotted opening as will be appreciated by those skilled in the art. The first slotted opening **43** provides middle frequencies, for example, around 1900 MHz, in a relatively high band, for example, 1710 to 2170 MHz.

[0030] The antenna **35** also includes a second conductor body **44** coupled to the loop conductor **36** and extending into the interior thereof to define a second slotted opening **45** with adjacent portions of the loop conductor. The second conductor body **44** illustratively has a rectangular shape. The second conductor body **44** may be other shapes to define the second slotted opening **45** to have different shapes.

[0031] More particularly, the size and shape of the second conductor body **44** advantageously define the size and shape of the second slotted opening **45**, which determine one of the operating frequency bands. The second slotted opening **45** has a J-shape. Other shapes may be used to change the perimeter length of the second slotted opening. The second slotted opening **45** advantageously provides a

relatively high end, for example, near 2170 MHz, frequency response for the relatively high band, for example, 1710 to 2170 MHz.

[0032] The first and second conductor bodies **41**, **44** are illustratively spaced apart to define a third slotted opening **46** therebetween. As will be appreciated by those skilled in the art, the function of each slot may be interchangeable depending on the form-factor. For example, the third slotted opening **46** may provide coupling between the first and second slotted openings **43**, **45**. The first, second and third slotted openings **43**, **45**, **46** advantageously provides increased bandwidth, for example, over a single slot antenna.

[0033] The loop conductor **36** illustratively has a gap **56** therein between the first and second conductor bodies **41**, **44**. The gap **56** advantageously tunes the impedance of the antenna **35**.

[0034] The antenna **35** also includes a conductor arm **53** that extends outwardly from the loop conductor **36** and extends along the PCB **32**. The conductor arm **53** advantageously lowers the resonant frequency for relatively low bands and may also improve hearing aid compliance (HAC) performance.

[0035] As will be appreciated by those skilled in the art, the overall operating frequency bands of the antenna **35** are determined by the length of the conductor arm **53**, and the perimeter length of each of the first and second slotted openings **43**, **45**. The operating frequency bands of the antenna **35** are also determined by the length of the loop conductor **36** as will be appreciated by those skilled in the art.

[0036] The antenna **35**, including the loop conductor **36**, the first and second conductor bodies **41**, **44** and the conductor **53** may define a planar antenna. However, in some embodiments, the antenna **35** may not be planar and may instead be curved to conform to a curved housing, for example.

[0037] The loop conductor **36** and the conductor arm **53**, advantageously provide a frequency response for relatively low bands, for example, 825 to 960 MHz, and lower frequencies, for example, near 1710 MHz, of the relatively high band, for example, 1710 to 2170 MHz. As will be appreciated by those skilled in the art, Global System for mobile communications (GSM) communications may be at 824 to 960 MHz. The graph **60** of FIG. 4, illustrates a simulated return loss of the antenna **35** from 500 MHz to 3 GHz.

[0038] The antenna **35** also includes first and second feed legs **51**, **52** on the respective opposing sides of the gap **56** in the loop conductor **36**. The first feed leg **51** may define a feed point and be coupled to a respective antenna feed area on the PCB **32**. The second feed leg **52** couples to the ground plane **42** or an antenna grounding area of the PCB **32**.

[0039] The first and second feed legs **51**, **52** also position the loop conductor **36** and the first and second conductor bodies **41**, **44** above the PCB **32** in spaced relation therefrom. The distance between the antenna **35** and the PCB **32** help to determine the bandwidth of the antenna. In other words, without the antenna **35** being spaced above the PCB, for example, if the antenna were mounted directly to the PCB without the first and second feed legs **51**, **52**, the antenna would have reduced bandwidth. The first and second

feed legs **51**, **52** may be spring contacts, as will be appreciated by those skilled in the art.

[0040] A dielectric body (not shown) may be positioned between the antenna **35** and the PCB **32**. The dielectric body may also be positioned above the antenna and may at least partially cover the antenna. The dielectric body advantageously may lower the operating frequency bands of the antenna **35**, and thus may reduce the overall size of the antenna. Additionally, impedance matching components may be positioned between the antenna **35** and the PCB **32** to further reduce mismatch loss of the antenna.

[0041] The impedance of the antenna **35** is, at least in part, determined by the separation between the first and second feed legs **51**, **52**, or in other words, the feed and ground points. The distance or separation of the gap **56**, and the width of the third slotted opening **46**, also determine the impedance.

[0042] The operating frequency bands of the antenna **35** described herein may be particularly advantageous for cellular communications, for example, GSM and 3G bands. However, as will be appreciated by those skilled in the art, the antenna **35** may be configured to operate at GPS frequencies and cooperate with the satellite receiver **34**. Additionally, the antenna **35** may also be configured to operate at wireless network frequencies, for example, WiFi. Of course, the antenna **35** may be configured to operate at other frequencies or frequency bands, either independently, or in combination.

[0043] The antenna **35** advantageously, provides increased bandwidth and radiated performance. Moreover, the antenna **35** may improve HAC and specific absorption rate (SAR) performance.

[0044] A controller **66** or processor may also be carried by the PCB **32**. The controller **66** may cooperate with the other components, for example, the antenna **35**, the satellite positioning signal receiver **34**, and the wireless transceiver circuitry **33** to coordinate and control operations of the mobile wireless communications device **30**. Operations may include mobile voice and data operations, including email and Internet data.

[0045] Referring now to FIG. 5, another embodiment of the antenna **35'** is illustrated. The antenna **35'** is non-planar. Illustratively, the first slotted opening **43'** is widened toward the conductor arm **53'** to increase the first slotted opening's perimeter length, and thus adjust the middle frequencies for the relatively high band.

Additionally, while the first conductor body **41'** has a rectangular shape, it is coupled to the loop conductor **36'** by a small coupling portion **57'**.

[0046] The conductor arm **53'** includes a slotted opening **54'** therein. In some embodiments the slotted opening **54'** may be coupled to or be an extension of the first slotted opening **43'**.

[0047] Referring additionally to the graphs **63'**, **64'** in FIGS. 6 and 7, the simulated return loss and impedance of the antenna **35'** without the optional slotted opening **54'** are respectively illustrated. Illustratively, three distinctive frequency bands are obtained from the antenna **35'**. These three frequencies combine to provide a relatively wide bandwidth in the relatively high band for the antenna **35'**.

[0048] Referring more particularly to the Smith chart **67'** (FIG. 7), the two highest and lowest frequency bands form a loop **67'** around the 50 Ohm point, while the center

frequency band forms a smaller loop **65'** inside the bigger loop **67'**. First and second markers **m1'**, **m2'** are placed on both sides of the crossing point of the bigger loop **67'**. These markers **m1'**, **m2'** make the lowest and highest limit of the broadband response of the constant voltage standing wave ratio (VSWR) loop. Thus, tuning may target 1.71 GHz and 2.17 GHz for the first and second markers **m1'**, **m2'**.

[0049] Referring now to FIG. 8, another embodiment of the antenna **35''** illustratively includes a first slotted opening **43''** that extends in four directions to increase the perimeter length thereof. While the second conductor body **44''** illustratively has a generally rectangular shape, it is coupled to the loop conductor **36''** by a portion cutaway to define the second slotted opening **45''** to be a J-shape.

[0050] Referring additionally to the graphs **71''**, **72''** in FIGS. 9 and 10, the simulated return loss and impedance of the antenna **35''** are respectively illustrated.

Referring more particularly to the graph or Smith chart **72''** in FIG. 10, the loop is kept relatively small and the two loops **65''**, **67''** wrap around each other. The return loss of the antenna **35''** in the graph **71''** in FIG. 9 illustrates the resulting broadband response.

[0051] Referring now to FIG. 11, another embodiment of the antenna **35'''** is illustrated. The antenna **35'''** is non-planar. Illustratively, the first slotted opening **43'''** is relatively narrow and extends toward the conductor arm **53'''**. The first slotted opening **43'''** extends outwardly along the conductor arm **53'''** so that the slotted opening **54'''** of the conductor arm is an extension of the first slotted opening. The second slotted opening **45'''** is

initially relatively narrow and extends into a widened area portion.

[0052] Referring now to FIG. 12, and the graphs of FIGS. 13a-c, operation of the antenna **35''''** is described with respect to current maps, **81''''**, **83''''**, **85''''**, respectively. As will be appreciated by those skilled in the art, the antenna **35''''** operates with three distinctive resonant frequency bands, which may be combined to provide a relatively wide frequency response. A first mode of operation provides a frequency band that is in the low end of the relatively high frequency band, for example, at frequencies near **m2** in the graph **63'** of FIG. 6. In the first mode of operation, antenna **35''''** operation is provided by the conductive arm **53''''** and the long edge of the loop conductor **36''''**. The graph **81''''** in FIG. 13a illustrates a current distribution that is in-phase along the conductive arm **53''''** and along the width of the loop conductor **36''''**. The cooperation of the conductive arm **53''''** and the long edge advantageously operate like an L-shaped dipole.

[0053] A second mode of operation provides middle frequencies of the relatively high frequency band, for example, at frequencies near **m3** in the graph **63'** of FIG. 6. The graph **83''''** in FIG. 13b illustrates the current distribution being relatively strong along the perimeter of the loop conductor **36''''**. Moreover, the current on each of the left and right sides of the loop conductor **36''''** flows in the same direction.

[0054] A third mode of operation provides relatively high frequencies of the relatively high frequency band, for example, at frequencies near **m3** in the graph **63'** of FIG. 6. The graph **85''''** in FIG. 13c illustrates the current along

the first and second slotted openings **43''''**, **45''''** flowing in different directions. The currents on each side of the antenna **35''''** is 180 degrees out of phase. As will be appreciated by those skilled in the art, the relative phase difference of 180 degrees is accomplished by making the third slotted opening **46''''** relatively large, for example, as compared to other embodiments.

[0055] Referring now to FIG. 14, another embodiment of the antenna **35''''** is illustratively curved around an end of the PCB **32''''''**. The curved shape of the antenna **35''''** may advantageously allow improved fitment within the housing **31''''''** of the mobile wireless communications device **30''''''**.

[0056] A method aspect is directed to a method of making a mobile wireless communications device **30** including a portable housing **31**, a printed circuit board (PCB) **32** carried by a portable housing, and wireless transceiver circuitry **33** carried by the PCB. The method includes forming an antenna **35** to be coupled to the wireless transceiver circuitry **33** by at least forming a loop conductor **36**, and forming a first conductor body **41** coupled to the loop conductor and extending into an interior thereof to define a first slotted opening **43** with adjacent portions of the loop conductor. Forming the antenna may also be by forming a second conductor body **44** coupled to the loop conductor **36** and extending into the interior thereof to define a second slotted opening **45** with adjacent portions of the loop conductor, and forming a conductor arm **53** coupled to the loop conductor **36** and extending outwardly therefrom. The first and second conductor bodies **41**, **43** may be spaced apart to define a third slotted opening **46** therebetween.

[0057] Exemplary components that may be used in various embodiments of the above-described mobile wireless communications device are now described with reference to an exemplary mobile wireless communications device **1000** shown in FIG. 15. The device **1000** illustratively includes a housing **1200**, a keypad **1400** and an output device **1600**. The output device shown is a display **1600**, which may comprise a full graphic LCD. In some embodiments, display **1600** may comprise a touch-sensitive input and output device. Other types of output devices may alternatively be utilized. A processing device **1800** is contained within the housing **1200** and is coupled between the keypad **1400** and the display **1600**. The processing device **1800** controls the operation of the display **1600**, as well as the overall operation of the mobile device **1000**, in response to actuation of keys on the keypad **1400** by the user. In some embodiments, keypad **1400** may comprise a physical keypad or a virtual keypad (e.g., using a touch-sensitive interface) or both.

[0058] The housing **1200** may be elongated vertically, or may take on other sizes and shapes (including clamshell housing structures, for example). The keypad **1400** may include a mode selection key, or other hardware or software for switching between text entry and telephony entry.

[0059] In addition to the processing device **1800**, other parts of the mobile device **1000** are shown schematically in FIG. 15. These include a communications subsystem **1001**; a short-range communications subsystem **1020**; the keypad **1400** and the display **1600**, along with other input/output devices **1060**, **1080**, **1100** and **1120**; as well as memory devices **1160**, **1180** and various other device subsystems **1201**. The mobile device **1000** may comprise a two-way RF communications device having voice and data communications capabilities. In

addition, the mobile device **1000** may have the capability to communicate with other computer systems via the Internet.

[0060] Operating system software executed by the processing device **1800** may be stored in a persistent store, such as the flash memory **1160**, but may be stored in other types of memory devices, such as a read only memory (ROM) or similar storage element. In addition, system software, specific device applications, or parts thereof, may be temporarily loaded into a volatile store, such as the random access memory (RAM) **1180**. Communications signals received by the mobile device may also be stored in the RAM **1180**.

[0061] The processing device **1800**, in addition to its operating system functions, enables execution of software applications or modules **1300A-1300N** on the device **1000**, such as software modules for performing various steps or operations. A predetermined set of applications that control basic device operations, such as data and voice communications **1300A** and **1300B**, may be installed on the device **1000** during manufacture. In addition, a personal information manager (PIM) application may be installed during manufacture. The PIM may be capable of organizing and managing data items, such as e-mail, calendar events, voice mails, appointments, and task items. The PIM application may also be capable of sending and receiving data items via a wireless network **1401**. The PIM data items may be seamlessly integrated, synchronized and updated via the wireless network **1401** with the device user's corresponding data items stored or associated with a host computer system.

[0062] Communication functions, including data and voice communications, are performed through the communications

subsystem **1001**, and possibly through the short-range communications subsystem. The communications subsystem **1001** includes a receiver **1500**, a transmitter **1520**, and one or more antennas **1540** and **1560**. In addition, the communications subsystem **1001** also includes a processing module, such as a digital signal processor (DSP) **1580**, and local oscillators (LOs) **1601**. The specific design and implementation of the communications subsystem **1001** is dependent upon the communications network in which the mobile device **1000** is intended to operate. For example, a mobile device **1000** may include a communications subsystem **1001** designed to operate with the Mobitex™, Data TAC™ or General Packet Radio Service (GPRS) mobile data communications networks, and also designed to operate with any of a variety of voice communications networks, such as AMPS, TDMA, CDMA, WCDMA, PCS, GSM, EDGE, etc. Other types of data and voice networks, both separate and integrated, may also be utilized with the mobile device **1000**. The mobile device **1000** may also be compliant with other communications standards such as GSM, 3G, UMTS, 4G, etc.

[0063] Network access requirements vary depending upon the type of communication system. For example, in the Mobitex and DataTAC networks, mobile devices are registered on the network using a unique personal identification number or PIN associated with each device. In GPRS networks, however, network access is associated with a subscriber or user of a device. A GPRS device therefore utilizes a subscriber identity module, commonly referred to as a SIM card, in order to operate on a GPRS network.

[0064] When required network registration or activation procedures have been completed, the mobile device **1000** may send and receive communications signals over the

communication network **1401**. Signals received from the communications network **1401** by the antenna **1540** are routed to the receiver **1500**, which provides for signal amplification, frequency down conversion, filtering, channel selection, etc., and may also provide analog to digital conversion. Analog-to-digital conversion of the received signal allows the DSP **1580** to perform more complex communications functions, such as demodulation and decoding. In a similar manner, signals to be transmitted to the network **1401** are processed (e.g. modulated and encoded) by the DSP **1580** and are then provided to the transmitter **1520** for digital to analog conversion, frequency up conversion, filtering, amplification and transmission to the communication network **1401** (or networks) via the antenna **1560**.

[0065] In addition to processing communications signals, the DSP **1580** provides for control of the receiver **1500** and the transmitter **1520**. For example, gains applied to communications signals in the receiver **1500** and transmitter **1520** may be adaptively controlled through automatic gain control algorithms implemented in the DSP **1580**.

[0066] In a data communications mode, a received signal, such as a text message or web page download, is processed by the communications subsystem **1001** and is input to the processing device **1800**. The received signal is then further processed by the processing device **1800** for an output to the display **1600**, or alternatively to some other auxiliary I/O device **1060**. A device user may also compose data items, such as e-mail messages, using the keypad **1400** and/or some other auxiliary I/O device **1060**, such as a touchpad, a rocker switch, a thumb-wheel, or some other type of input device. The composed data items may then be transmitted

over the communications network 1401 via the communications subsystem 1001.

[0067] In a voice communications mode, overall operation of the device is substantially similar to the data communications mode, except that received signals are output to a speaker 1100, and signals for transmission are generated by a microphone 1120. Alternative voice or audio I/O subsystems, such as a voice message recording subsystem, may also be implemented on the device 1000. In addition, the display 1600 may also be utilized in voice communications mode, for example to display the identity of a calling party, the duration of a voice call, or other voice call related information.

[0068] The short-range communications subsystem enables communication between the mobile device 1000 and other proximate systems or devices, which need not necessarily be similar devices. For example, the short-range communications subsystem may include an infrared device and associated circuits and components, or a Bluetooth™ communications module to provide for communication with similarly-enabled systems and devices.

[0069] Many modifications and other embodiments will come to the mind of one skilled in the art having the benefit of the teachings presented in the foregoing descriptions and the associated drawings. Therefore, it is understood that the scope of protection being sought is defined by the following claims rather than the described embodiments in the foregoing description. The scope of the claims should not be limited by the described embodiments set forth in the examples, but should be given the broadest interpretation consistent with the description as a whole.

Claims:

1. A mobile wireless communications device comprising:
 - a portable housing;
 - a printed circuit board (PCB) carried by said portable housing;
 - wireless transceiver circuitry carried by said PCB;
 - an antenna coupled to said wireless transceiver circuitry and comprising
 - a loop conductor,
 - a first conductor body coupled to said loop conductor and extending into an interior thereof to define a first slotted opening with adjacent portions of said loop conductor,
 - a second conductor body coupled to said loop conductor and extending into the interior thereof to define a second slotted opening with adjacent portions of said loop conductor, and
 - a conductor arm coupled to said loop conductor and extending outwardly therefrom,said first and second conductor bodies being spaced apart to define a third slotted opening therebetween.
2. The mobile wireless communications device according to Claim 1, wherein said loop conductor has a rectangular shape.

3. The mobile wireless communications device according to Claim 1 or Claim 2, wherein each of said first and second conductor bodies has a rectangular shape.

4. The mobile wireless communications device according to any one of Claims 1 to 3, wherein said conductor arm has a slotted opening therein.

5. The mobile wireless communications device according to any one of Claims 1 to 4, wherein said first slotted opening extends along said conductor arm.

6. The mobile wireless communications device according to any one of Claims 1 to 5, wherein said PCB comprises a ground plane beneath said antenna.

7. A mobile wireless communications device comprising:

- a portable housing;
- a printed circuit board (PCB) carried by said portable housing;
- wireless transceiver circuitry carried by said PCB;
- an antenna coupled to said wireless transceiver circuitry and comprising
 - a loop conductor having a rectangular shape,
 - a first conductor body coupled to said loop conductor and extending into an interior thereof to define a first slotted opening with adjacent portions of said loop conductor,

a second conductor body coupled to said loop conductor and extending into the interior thereof to define a second slotted opening with adjacent portions of said loop conductor, and
a conductor arm coupled to said loop conductor and extending outwardly therefrom,
said first and second conductor bodies being spaced apart to define a third slotted opening therebetween.

8. The mobile wireless communications device according to Claim 7, wherein each of said first and second conductor bodies has a rectangular shape.

9. The mobile wireless communications device according to Claim 7 or Claim 8, wherein said conductor arm has a slotted opening therein.

10. The mobile wireless communications device according to any one of Claims 7 to 9, wherein said first slotted opening extends along said conductor arm.

11. The mobile wireless communications device according to any one of Claims 7 to 10, wherein said PCB comprises a ground plane beneath said antenna.

12. A method of making a mobile wireless communications device comprising a portable housing, a printed circuit board (PCB) carried by a portable housing, and wireless transceiver circuitry carried by the PCB, the method comprising:

forming an antenna to be coupled to the wireless transceiver circuitry by at least

forming a loop conductor,

forming a first conductor body coupled to the loop conductor and extending into an interior thereof to define a first slotted opening with adjacent portions of the loop conductor,

forming a second conductor body coupled to the loop conductor and extending into the interior thereof to define a second slotted opening with adjacent portions of the loop conductor, and

forming a conductor arm coupled to the loop conductor and extending outwardly therefrom,

the first and second conductor bodies being spaced apart to define a third slotted opening therebetween.

13. The method according to Claim 12, wherein forming the loop conductor comprises forming the loop conductor to have a rectangular shape.

14. The method according to Claim 12 or Claim 13, wherein forming the first and second conductor bodies comprises forming the first and second conductor bodies to have a rectangular shape.

15. The method according to any one of Claims 12 to 14, wherein forming the conductor arm comprises forming the conductor arm to have a slotted opening therein.

16. The method according to any one of Claims 12 to 15, wherein forming the first conductor body coupled to the loop conductor and extending into the interior thereof to define the first slotted opening with adjacent portions of the loop conductor comprises forming the first slotted opening to extend along said conductor arm.

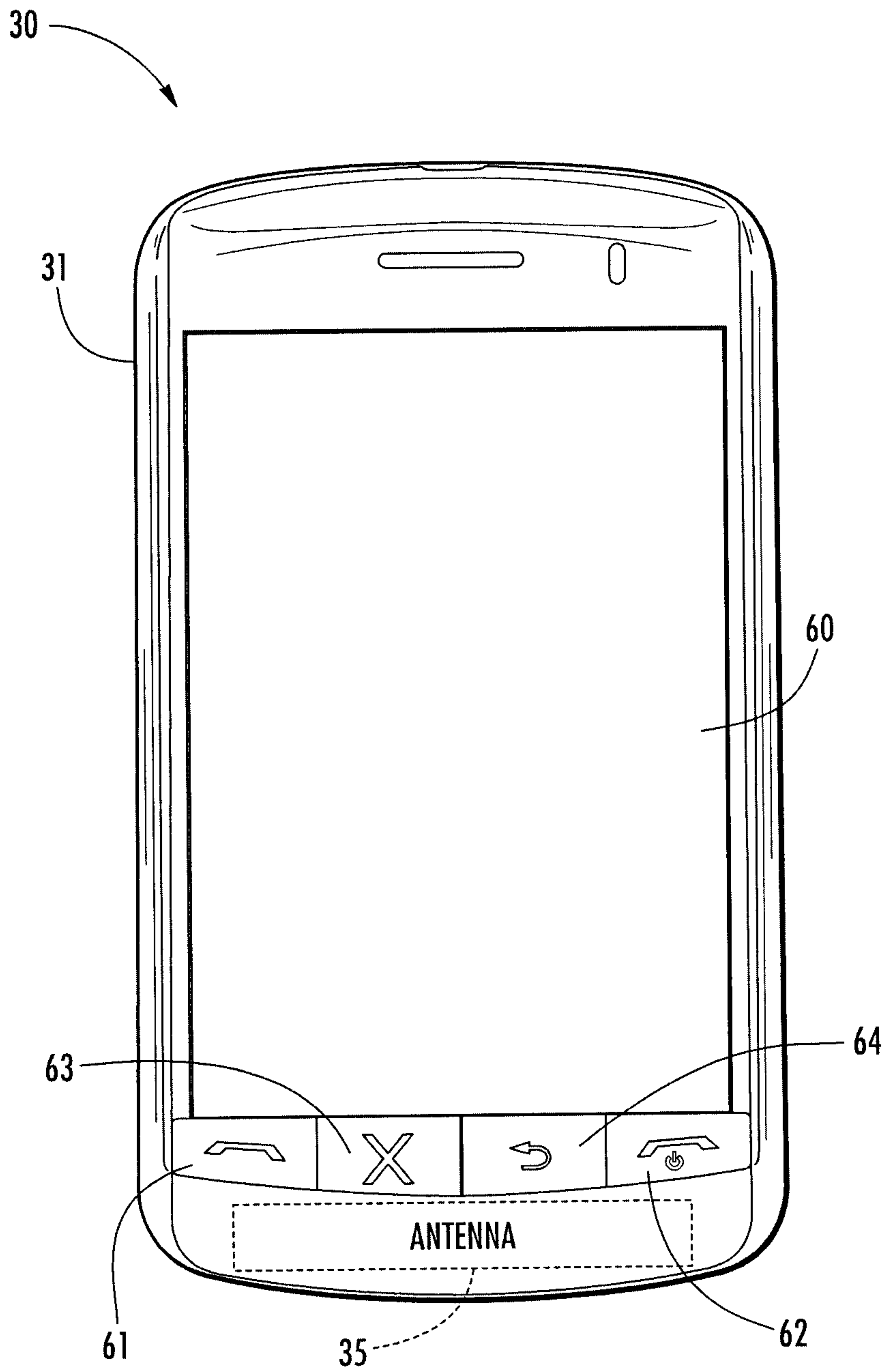


FIG. 1

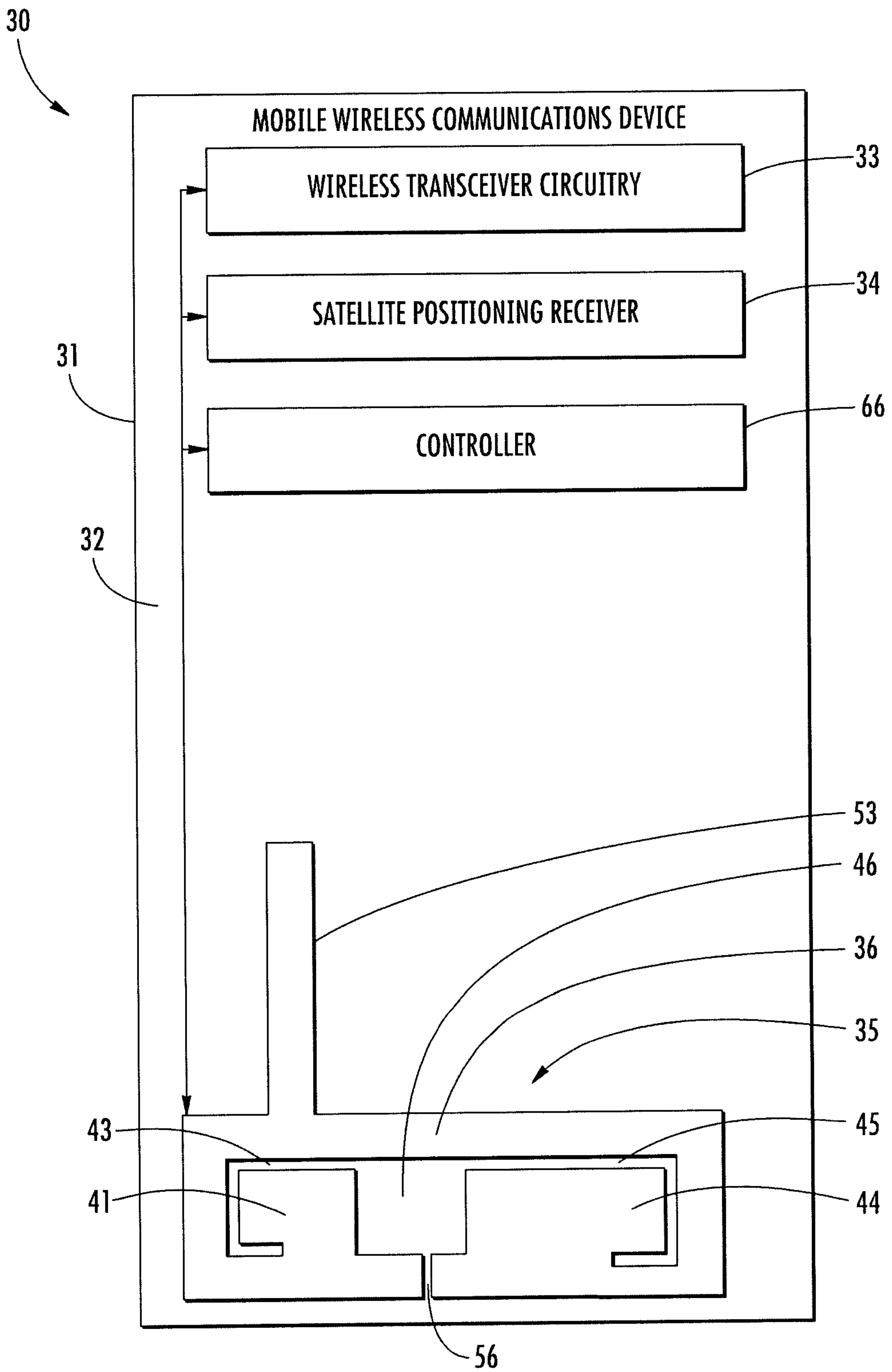


FIG. 2

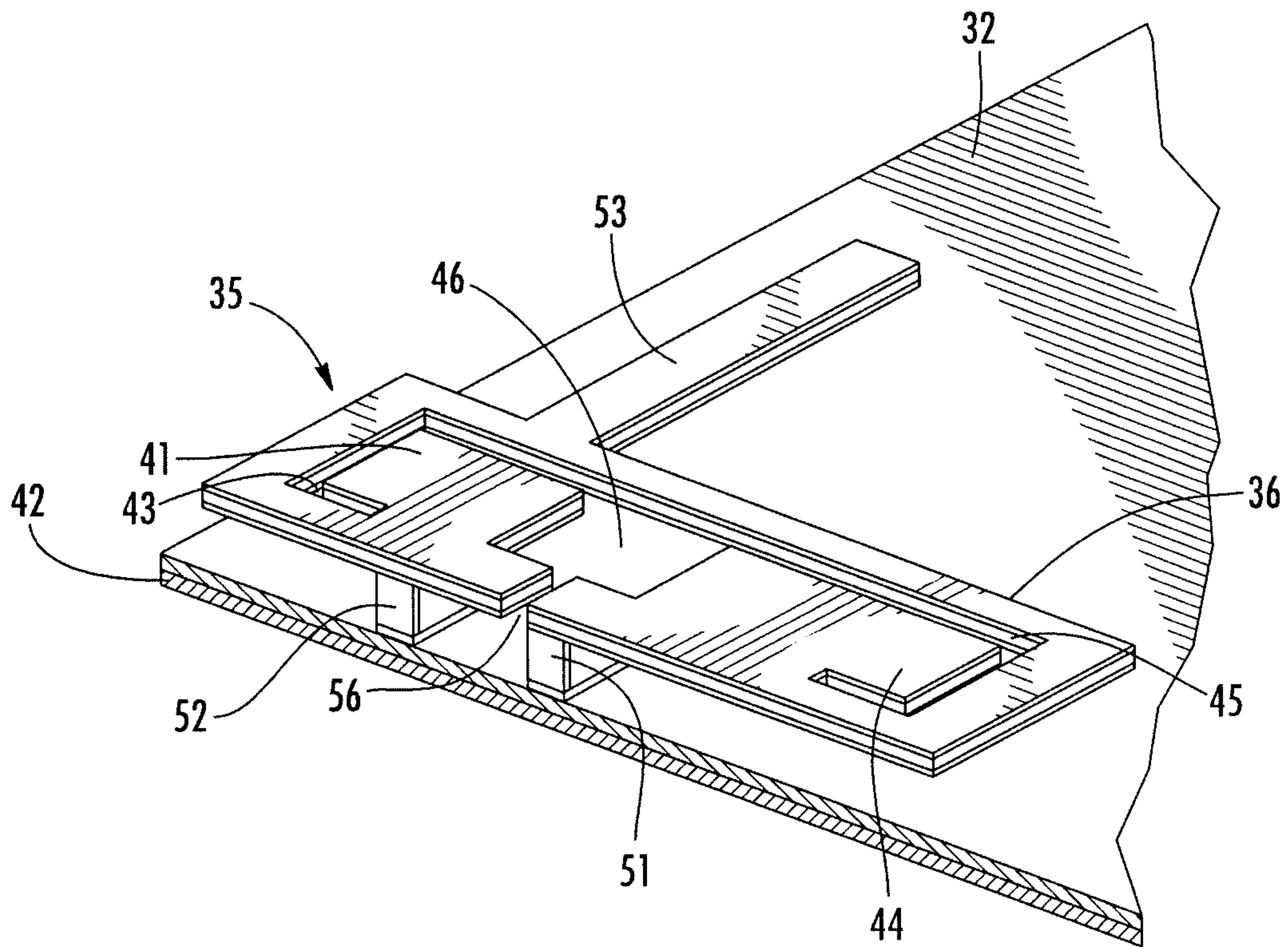


FIG. 3

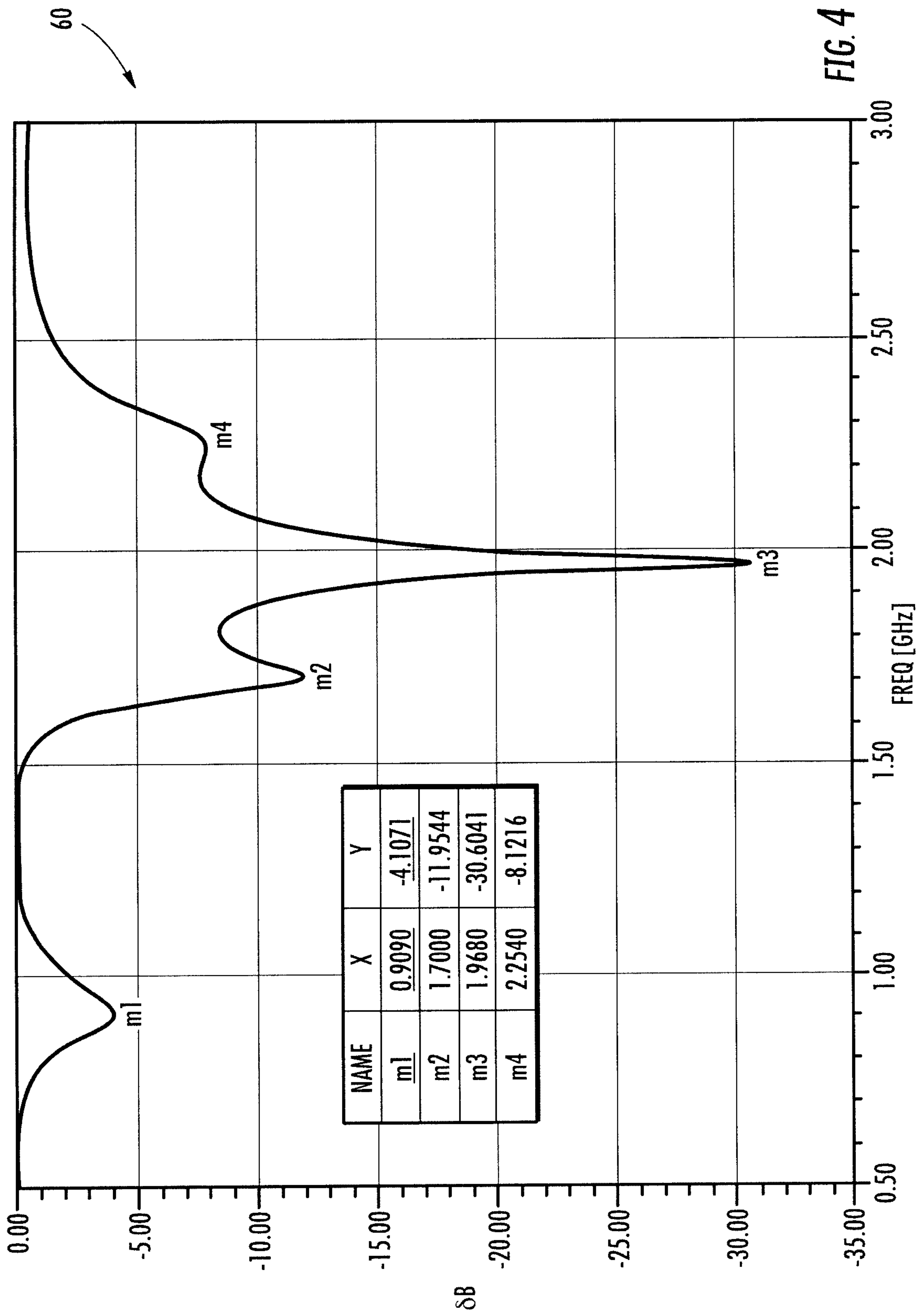


FIG. 4

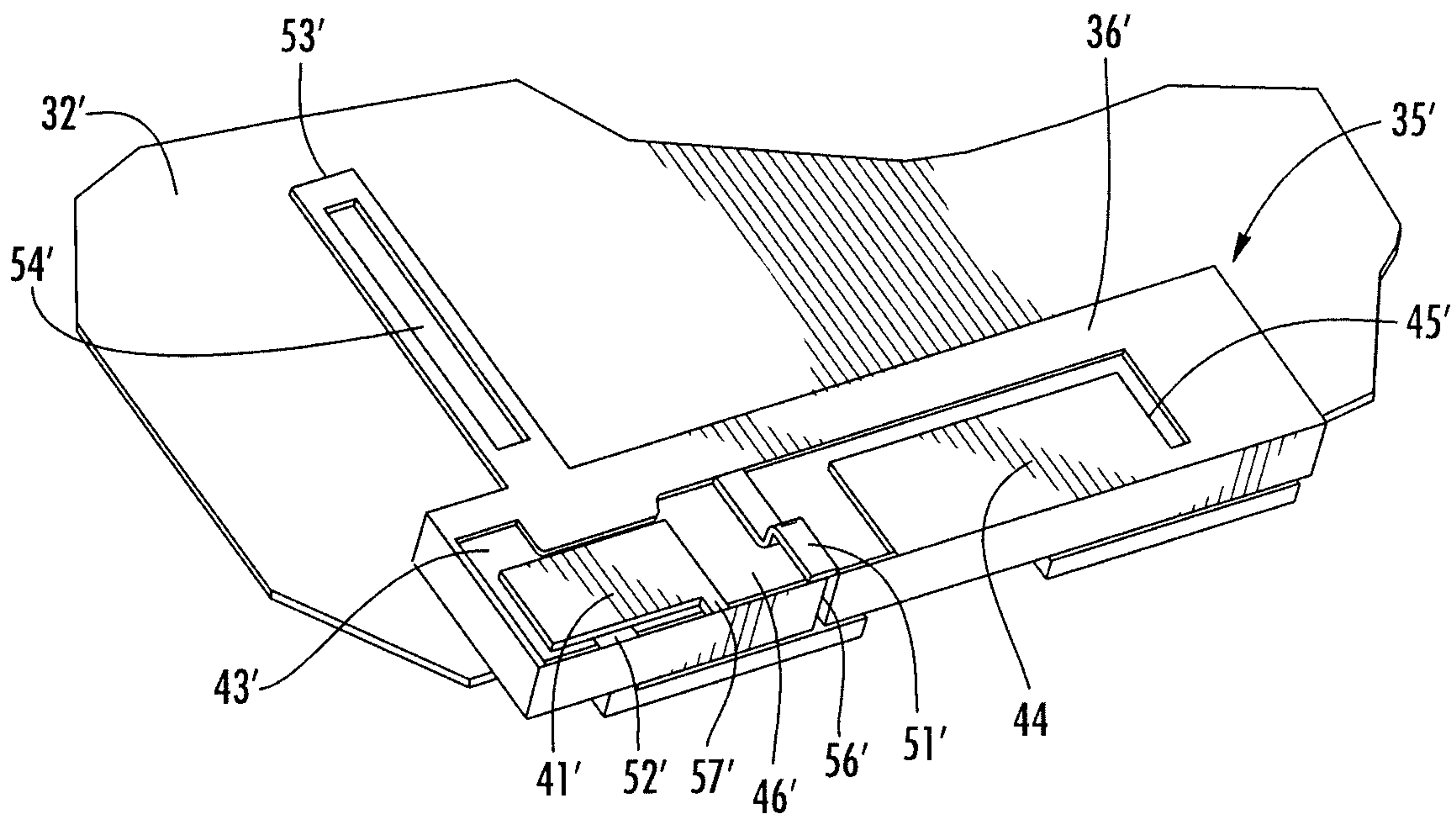


FIG. 5

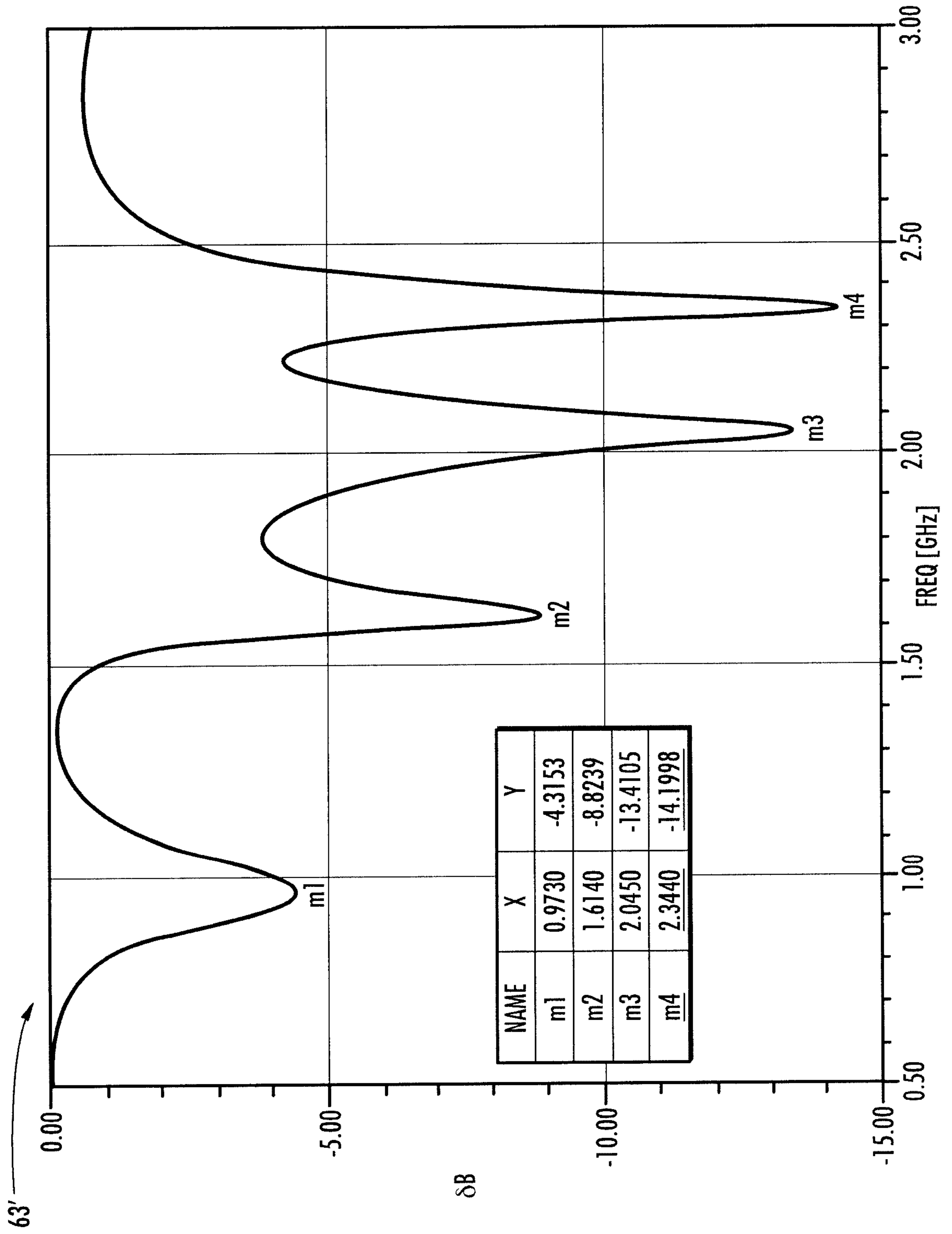


FIG. 6

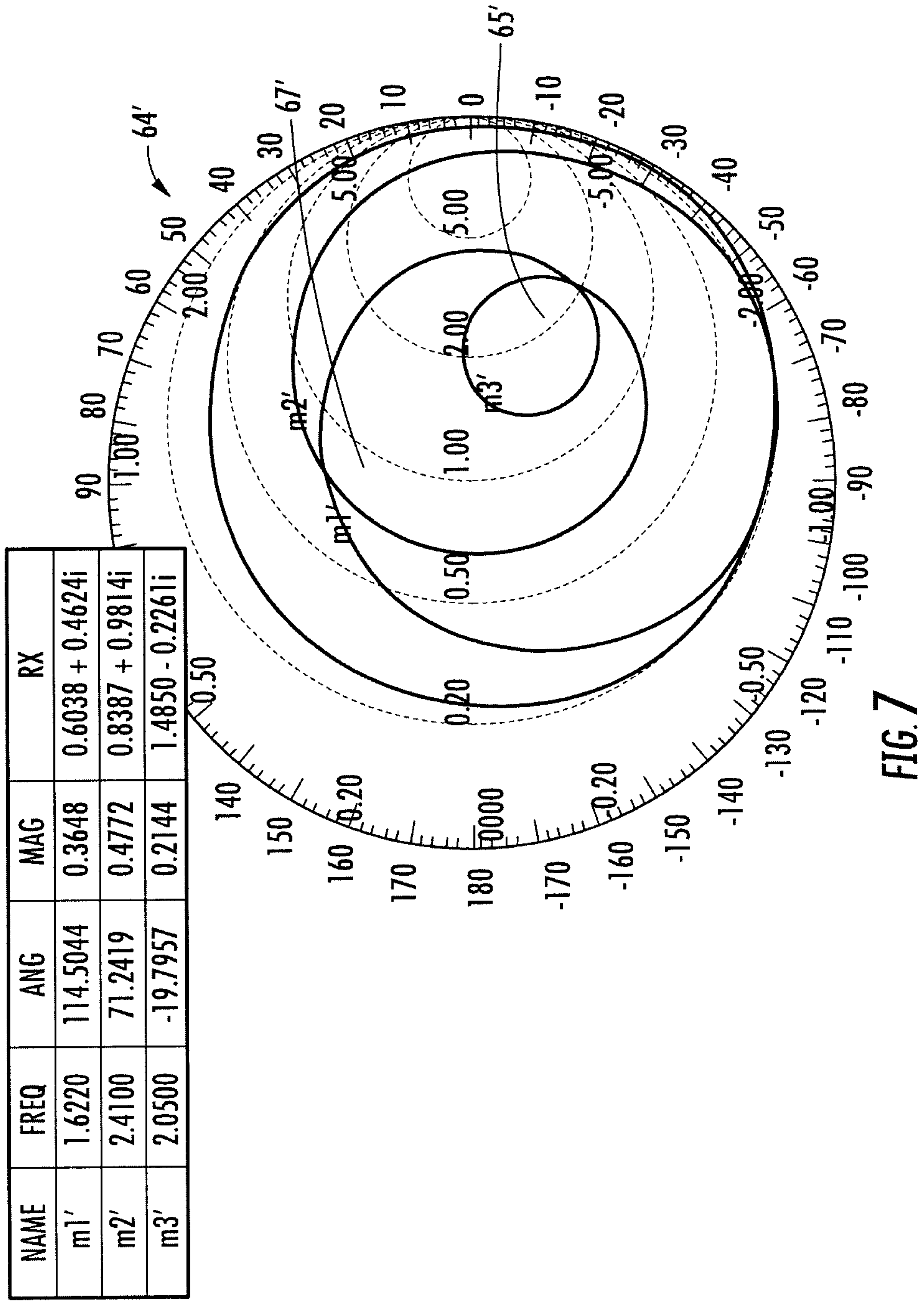


FIG. 7

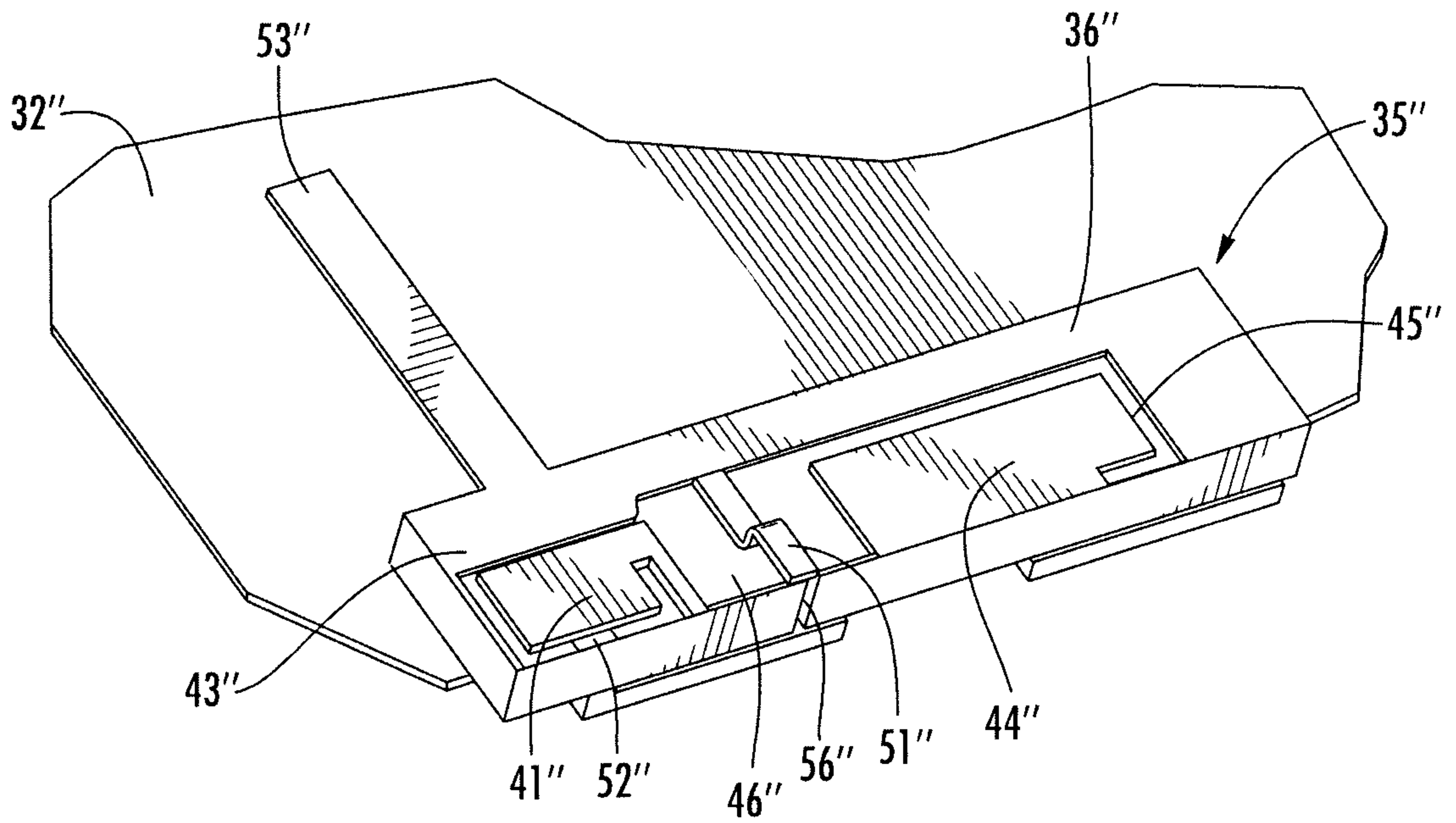


FIG. 8

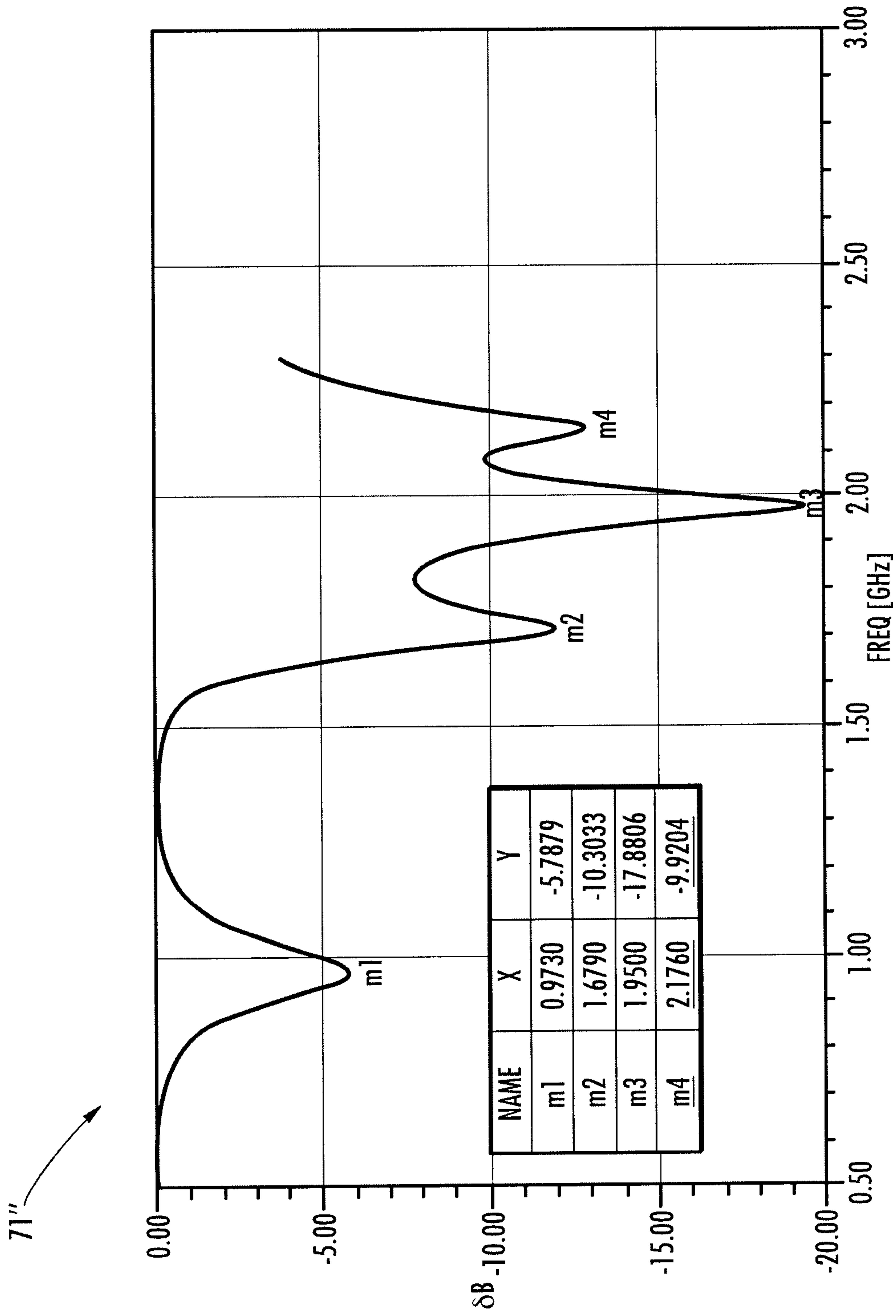


FIG. 9

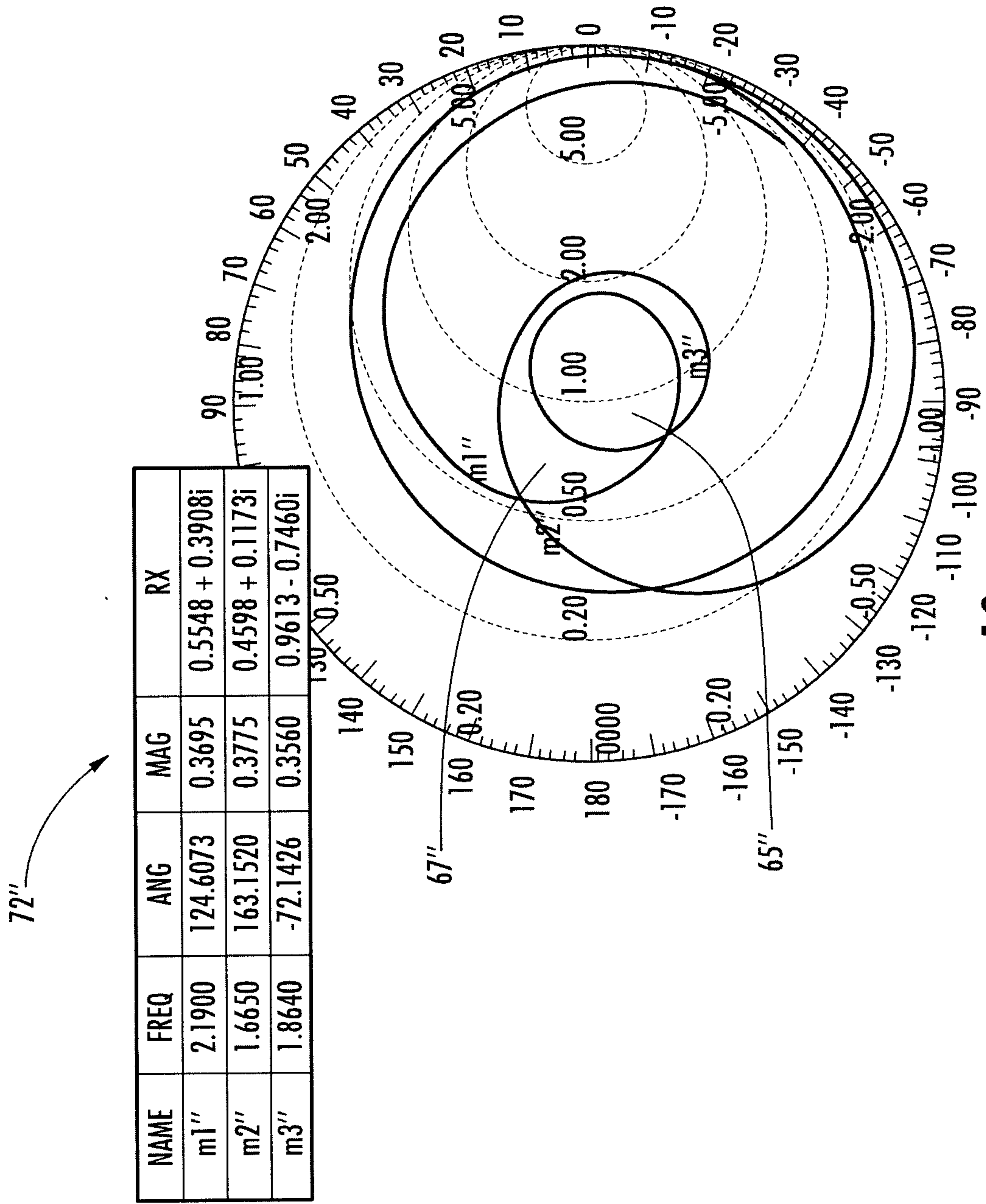


FIG. 10

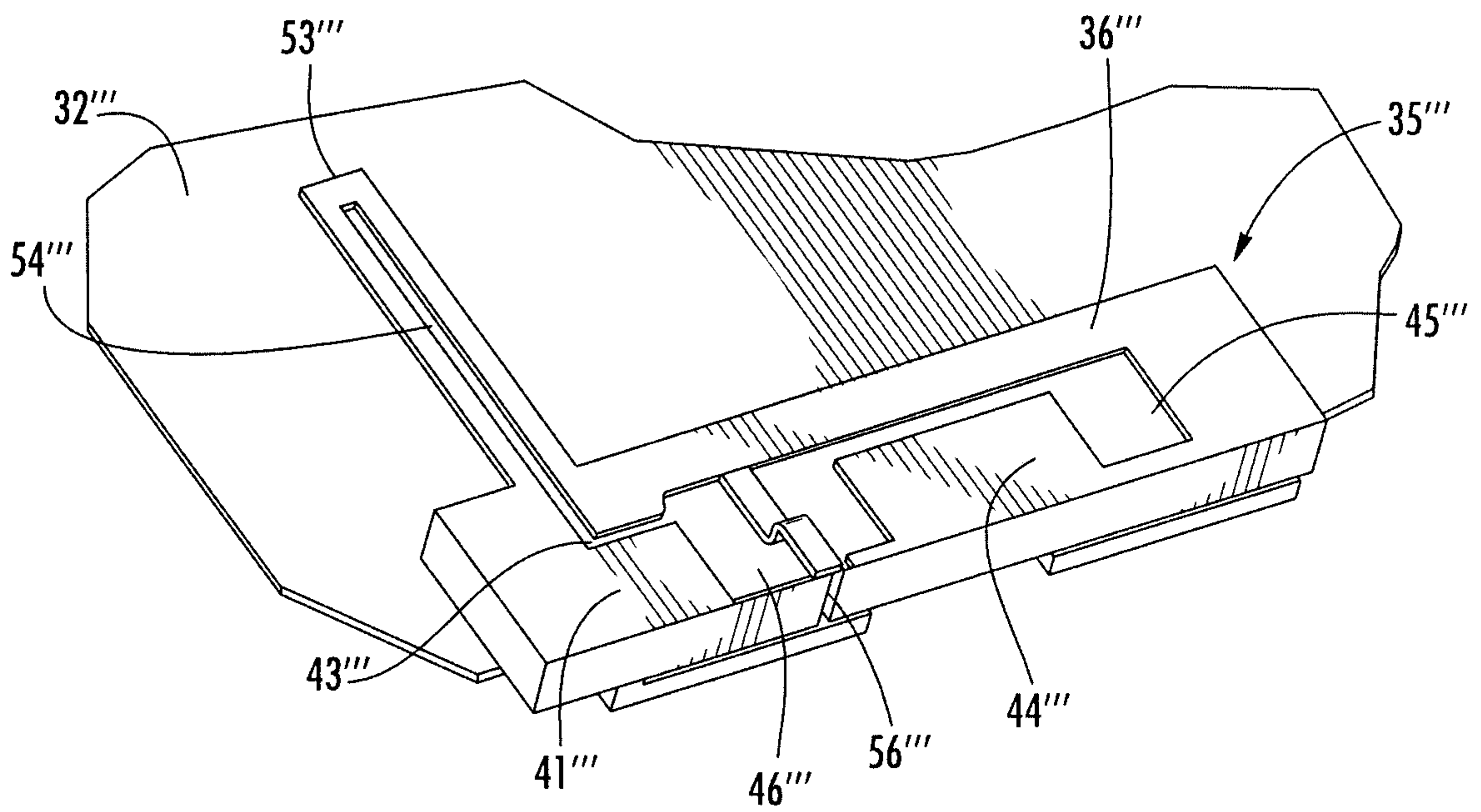


FIG. 11

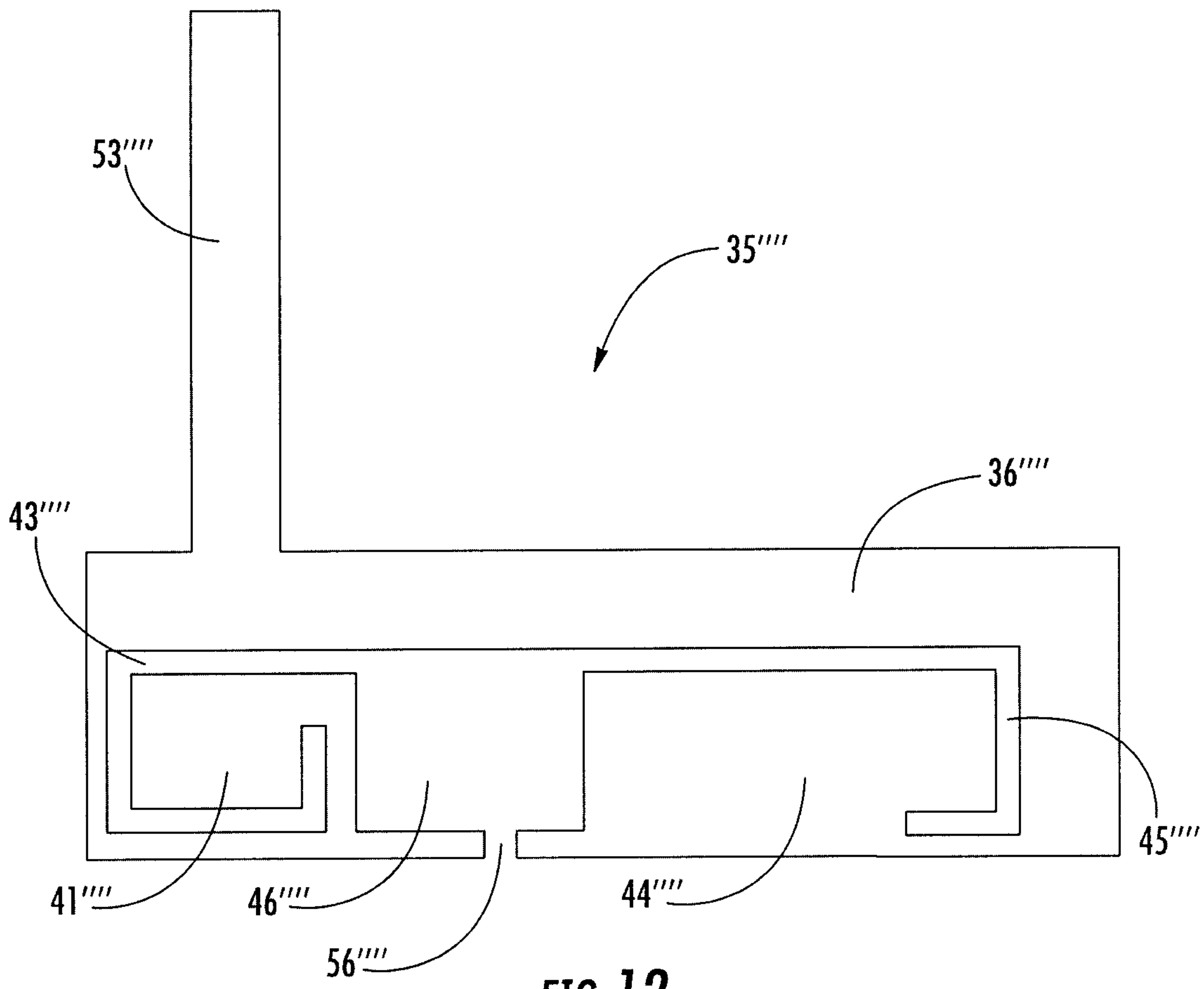


FIG. 12

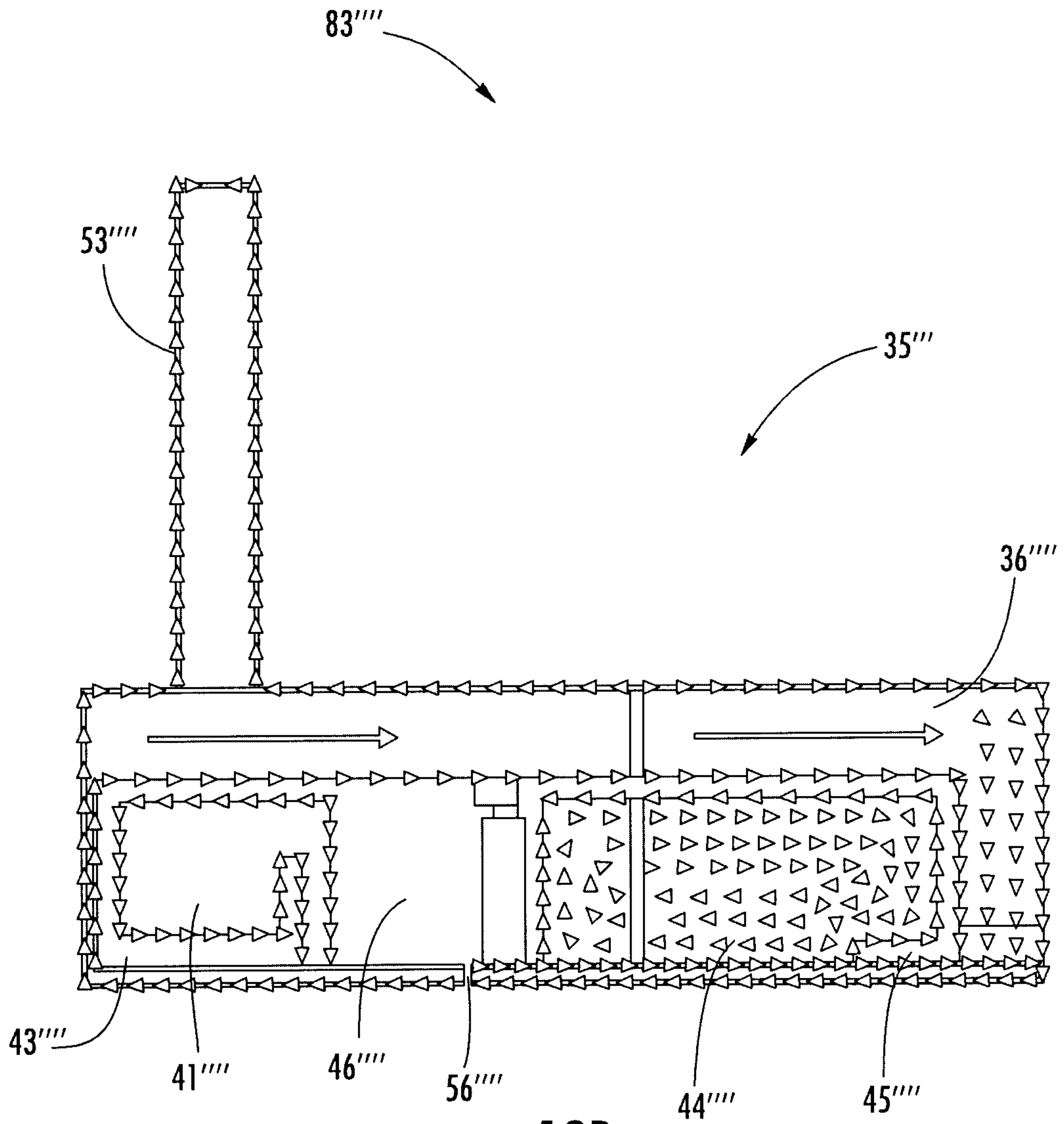


FIG. 13B

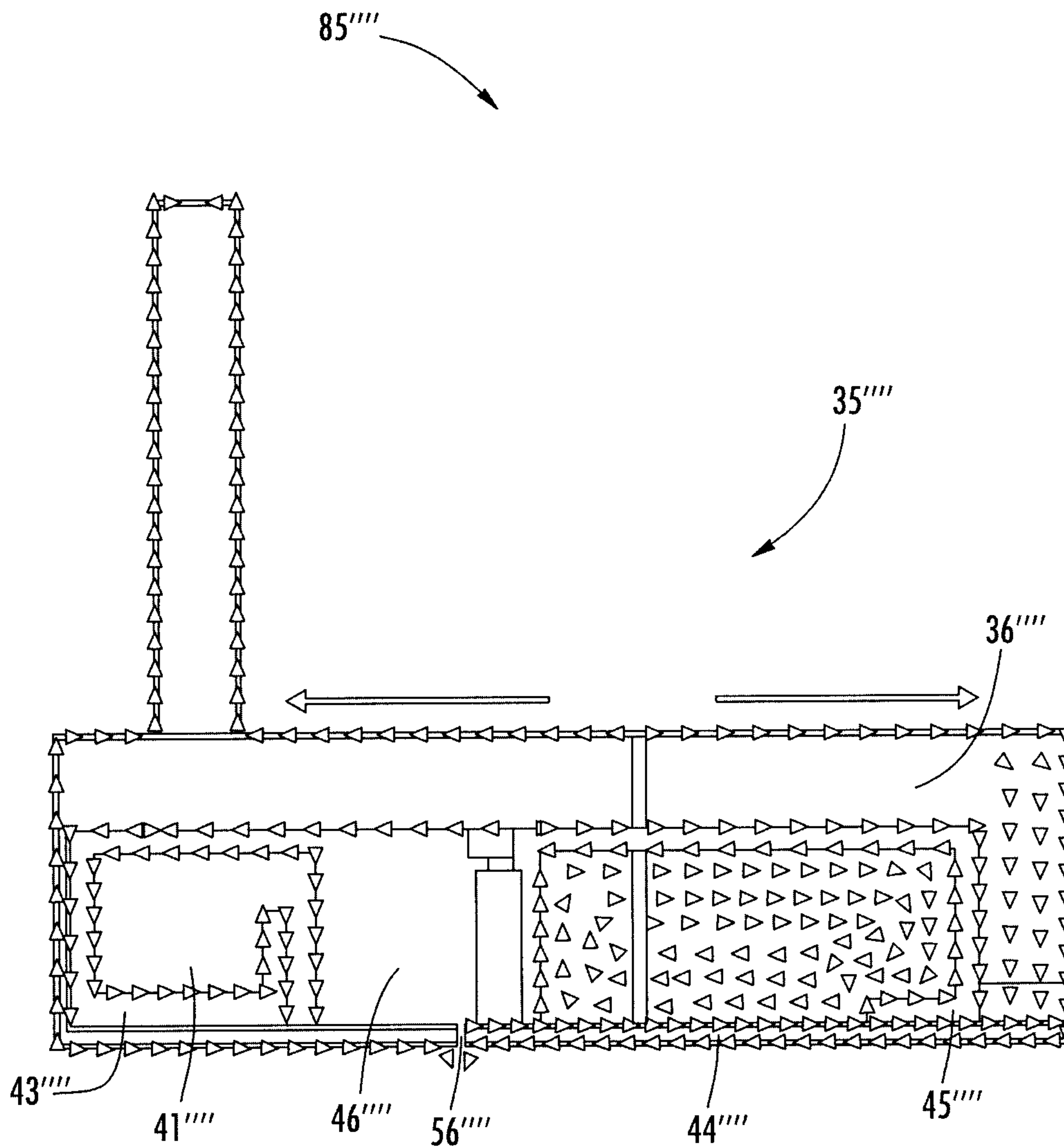
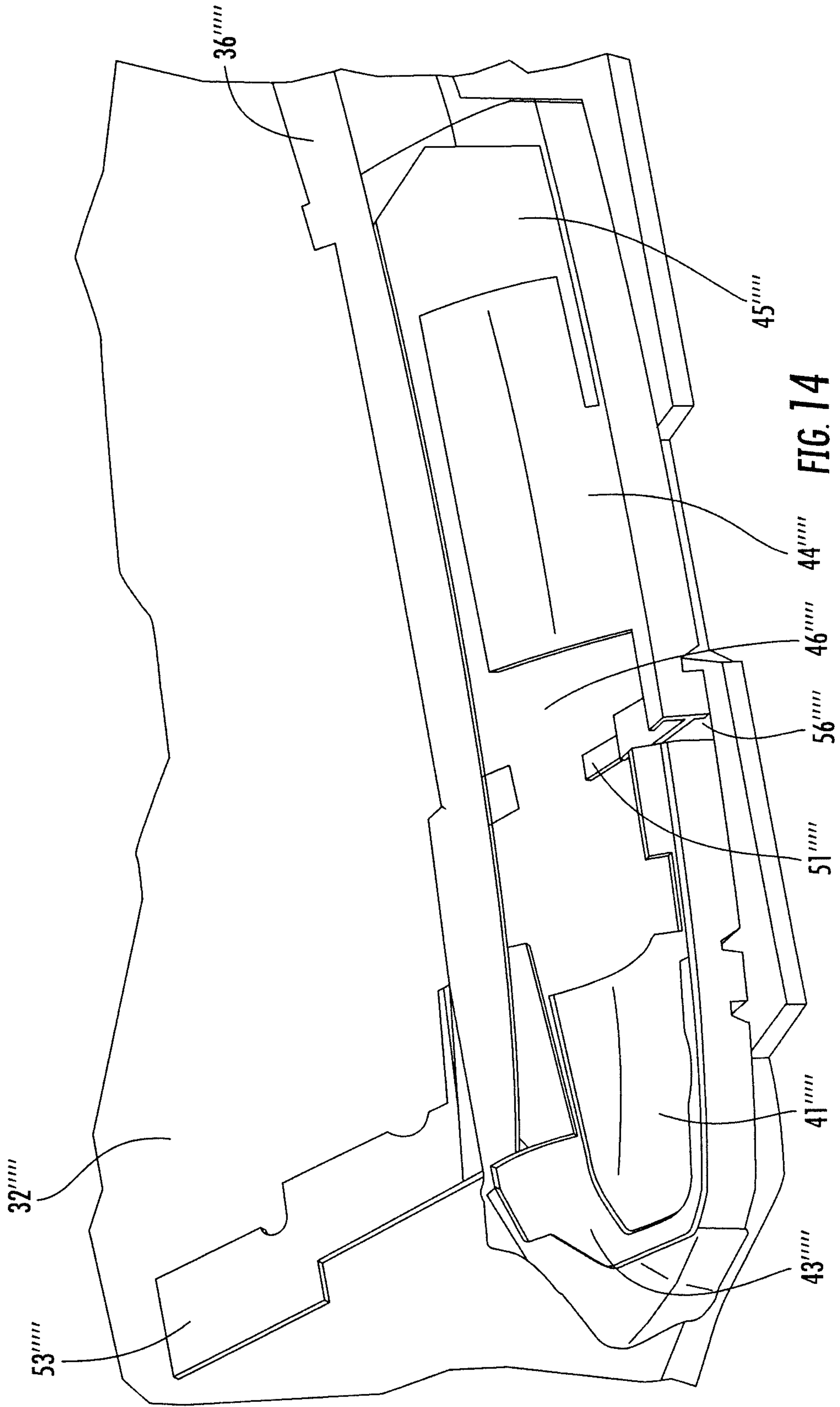


FIG. 13C



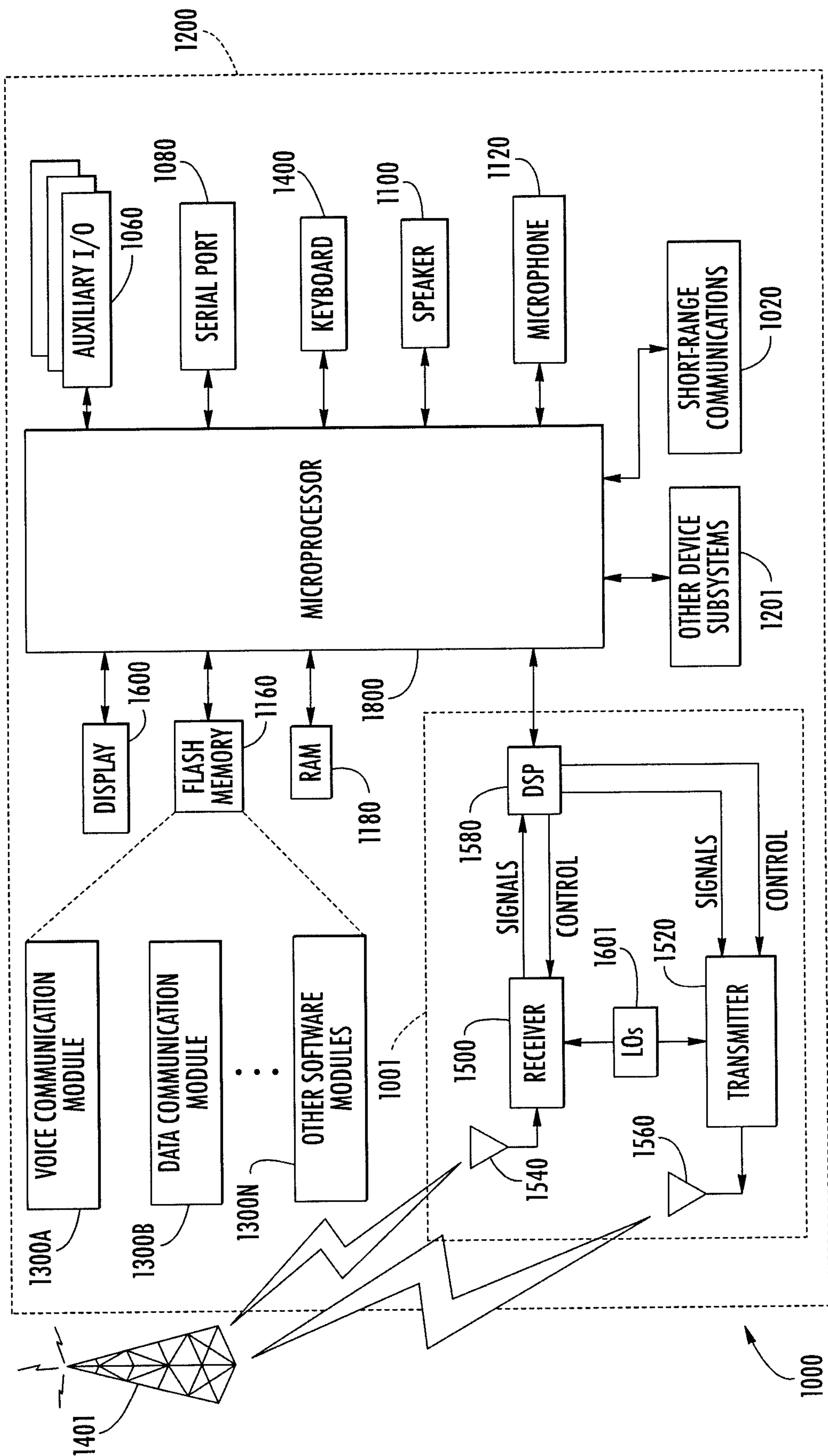


FIG. 15

30

31

60

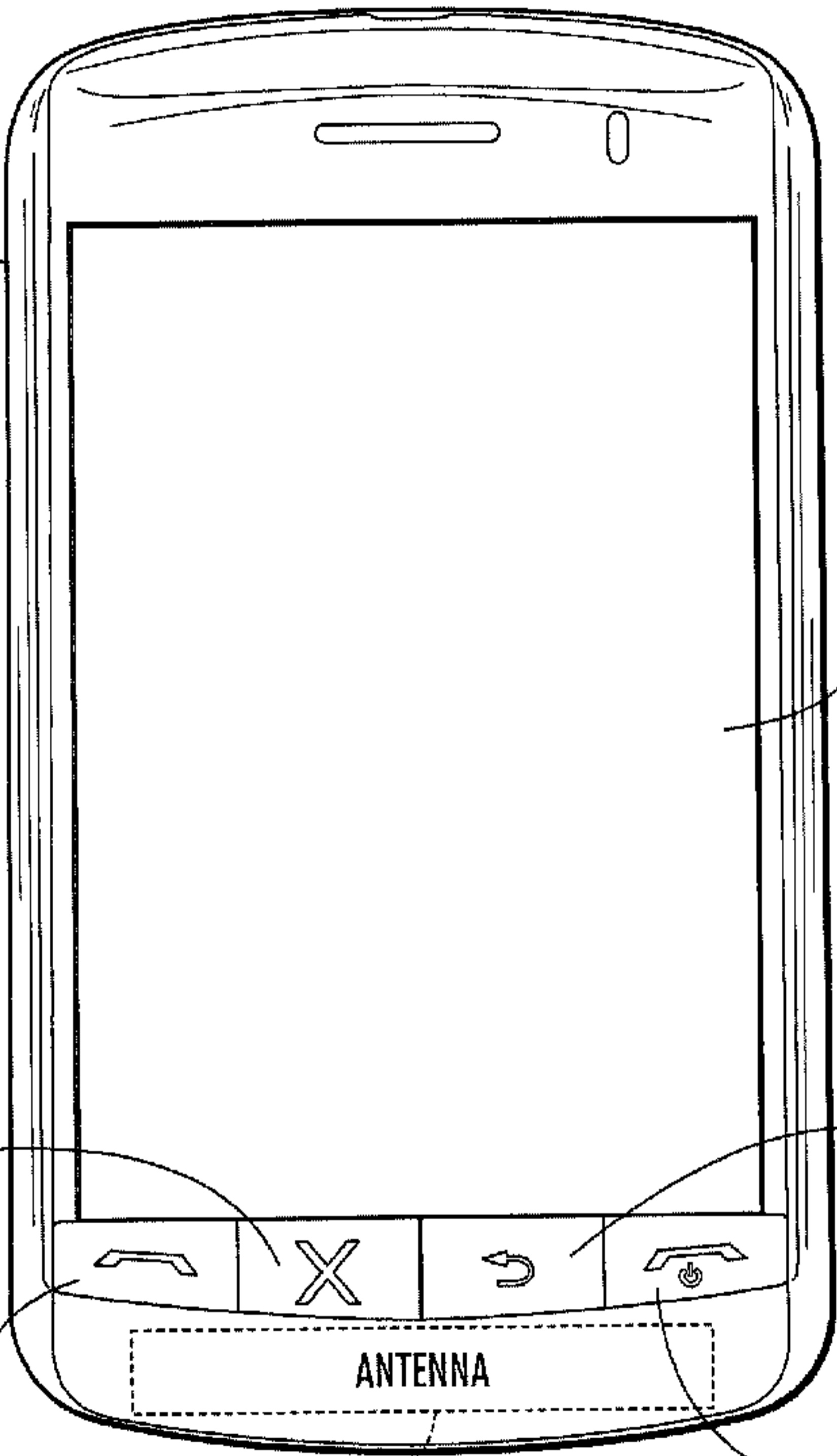
63

64

61

35

62



ANTENNA