

(19) World Intellectual Property
Organization
International Bureau



(43) International Publication Date
21 October 2004 (21.10.2004)

PCT

(10) International Publication Number
WO 2004/089437 A3

(51) International Patent Classification⁷: **A61M 25/00**

(21) International Application Number:
PCT/US2004/010456

(22) International Filing Date: 5 April 2004 (05.04.2004)

(25) Filing Language: English

(26) Publication Language: English

(30) Priority Data:
60/460,544 4 April 2003 (04.04.2003) US

(71) Applicant (for all designated States except US): **MINNESOTA MEDTEC, INC.** [US/US]; 11760 Justen Circle, Unit B, Maple Grove, MN 55369 (US).

(72) Inventor; and

(75) Inventor/Applicant (for US only): **PACKARD, Brian, M.** [US/US]; 7191 96th Street NE, Monticello, MN 55362 (US).

(74) Agents: **SOLBERG, Sean, D.** et al.; Dorsey & Whitney LLP, Intellectual Property Department, Suite 1500, 50 South Sixth Street, Minneapolis, MN 55402-1498 (US).

(81) Designated States (unless otherwise indicated, for every kind of national protection available): AE, AG, AL, AM,

AT, AU, AZ, BA, BB, BG, BR, BW, BY, BZ, CA, CH, CN, CO, CR, CU, CZ, DE, DK, DM, DZ, EC, EE, EG, ES, FI, GB, GD, GE, GH, GM, HR, HU, ID, IL, IN, IS, JP, KE, KG, KP, KR, KZ, LC, LK, LR, LS, LT, LU, LV, MA, MD, MG, MK, MN, MW, MX, MZ, NA, NI, NO, NZ, OM, PG, PH, PL, PT, RO, RU, SC, SD, SE, SG, SK, SL, SY, TJ, TM, TN, TR, TT, TZ, UA, UG, US, UZ, VC, VN, YU, ZA, ZM, ZW.

(84) Designated States (unless otherwise indicated, for every kind of regional protection available): ARIPO (BW, GH, GM, KE, LS, MW, MZ, SD, SL, SZ, TZ, UG, ZM, ZW), Eurasian (AM, AZ, BY, KG, KZ, MD, RU, TJ, TM), European (AT, BE, BG, CH, CY, CZ, DE, DK, EE, ES, FI, FR, GB, GR, HU, IE, IT, LU, MC, NL, PL, PT, RO, SE, SI, SK, TR), OAPI (BF, BJ, CF, CG, CI, CM, GA, GN, GQ, GW, ML, MR, NE, SN, TD, TG).

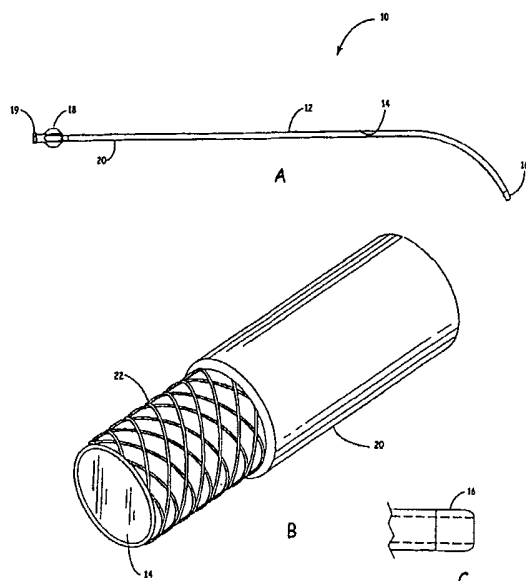
Published:

- with international search report
- before the expiration of the time limit for amending the claims and to be republished in the event of receipt of amendments

(88) Date of publication of the international search report:
10 November 2005

For two-letter codes and other abbreviations, refer to the "Guidance Notes on Codes and Abbreviations" appearing at the beginning of each regular issue of the PCT Gazette.

(54) Title: GUIDE CATHETER AND METHOD OF MAKING SAME



(57) Abstract: The present invention is a guide catheter and a method of making the guide catheter. The invention includes a catheter having an inner layer, a support element associated with the inner layer, and an outer layer external to the support element. The invention further includes a cutting apparatus used in the method of making the guide catheter.

WO 2004/089437 A3

INTERNATIONAL SEARCH REPORT

International application No.

PCT/US04/10456

A. CLASSIFICATION OF SUBJECT MATTER
 IPC(7) : A61M 25/00
 US CL : 604/524
 According to International Patent Classification (IPC) or to both national classification and IPC

B. FIELDS SEARCHED

Minimum documentation searched (classification system followed by classification symbols)
 U.S. : 604/524, 523, 527, 527, 264

Documentation searched other than minimum documentation to the extent that such documents are included in the fields searched

Electronic data base consulted during the international search (name of data base and, where practicable, search terms used)

C. DOCUMENTS CONSIDERED TO BE RELEVANT

Category *	Citation of document, with indication, where appropriate, of the relevant passages	Relevant to claim No.
A	US 4,425,919 A (Alston, Jr. et al.) 17 January 1984 (17.01.1984), See the entire document.	1-6
A	US 5,019,057 A (Truckai) 28 May 1991 (28.05.1991), See the entire document.	1-6
A	US 5,569,220 A (Webster, Jr.) 29 October 1996 (29.10.1996), See the entire document.	1-6
A	US 4,631,052 A (Kensey) 23 December 1986 (23.12.1986), See the entire document.	7-8
A	US 4,729,763 A (Henrie) 08 March 1988 (08.03.1988), See the entire document.	7-8
A	US 4,589,412 A (Kensey) 20 May 1986 (20.05.1986), See the entire document.	7-8
A	US 6,319,242 B1 (Patterson et al.) 20 November 2001 (20.11.2001), See the entire document.	7-8

Further documents are listed in the continuation of Box C. See patent family annex.

* Special categories of cited documents:		
"A" document defining the general state of the art which is not considered to be of particular relevance	"T"	later document published after the international filing date or priority date and not in conflict with the application but cited to understand the principle or theory underlying the invention
"E" earlier application or patent published on or after the international filing date	"X"	document of particular relevance; the claimed invention cannot be considered novel or cannot be considered to involve an inventive step when the document is taken alone
"L" document which may throw doubts on priority claim(s) or which is cited to establish the publication date of another citation or other special reason (as specified)	"Y"	document of particular relevance; the claimed invention cannot be considered to involve an inventive step when the document is combined with one or more other such documents, such combination being obvious to a person skilled in the art
"O" document referring to an oral disclosure, use, exhibition or other means		
"P" document published prior to the international filing date but later than the priority date claimed	"&"	document member of the same patent family

Date of the actual completion of the international search 27 July 2005 (27.07.2005)	Date of mailing of the international search report 08 SEP 2005
--	--

Name and mailing address of the ISA/US Mail Stop PCT, Attn: ISA/US Commissioner for Patents P.O. Box 1450 Alexandria, Virginia 22313-1450 Facsimile No. (703) 305-3230	Authorized officer <i>Manuel Mendez</i> Telephone No. 703-000-0000 <i>Sheila H. Venev</i> Paralegal Specialist Tech. Center 3700
---	---