

United States Patent [19]

Konno et al.

[11] Patent Number: Des. 319,441

[45] Date of Patent: ** Aug. 27, 1991

[54] PORTABLE RADIOTELEPHONE

[75] Inventors: Akihiko Konno; Masahiko Tabuchi,
both of Tokyo, Japan

[73] Assignee: Kabushiki Kaisha Toshiba, Kawasaki,
Japan

[**] Term: 14 Years

[21] Appl. No.: 528,461

[22] Filed: May 25, 1990

[30] Foreign Application Priority Data

Dec. 7, 1989 [JP] Japan 1-44239

[52] U.S. Cl. D14/147; D14/138;
D14/148

[58] Field of Search D14/138, 147, 148, 137;
379/433, 440, 58, 60, 61; 458/89

[56] References Cited

U.S. PATENT DOCUMENTS

D. 244,849	6/1977	Todeschini	D14/147
D. 275,950	10/1984	Marshall	D14/147
D. 282,544	11/1983	Wu	D14/147
D. 298,036	10/1988	Natanabe	D14/138
D. 300,742	4/1989	Soren et al.	D14/147 X
D. 302,689	8/1989	Murakami et al.	D14/138
D. 304,189	7/1988	Nagele et al.	D14/147
D. 305,427	1/1990	Soren et al.	D14/138

D. 306,298	2/1990	Sawada et al.	D14/148
4,845,772	7/1989	Metroka et al.	379/433
4,897,873	1/1990	Beutler et al.	379/433

OTHER PUBLICATIONS

Japanese Design Registration No. 755223 of Matsushita Electric Industrial Co., Ltd. published Feb. 15, 1989.

Primary Examiner—Horace B. Fay, Jr.
Attorney, Agent, or Firm—Oblon, Spivak, McClelland,
Maier & Neustadt

[57] CLAIM

The ornamental design for a portable radiotelephone, as shown.

DESCRIPTION

FIG. 1 is a top, front and left side perspective view of a portable radiotelephone showing our new design, with an antenna extended;

FIG. 2 is a front elevational view thereof;

FIG. 3 is a top plan view thereof;

FIG. 4 is a right side elevational view thereof;

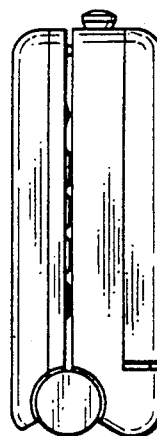
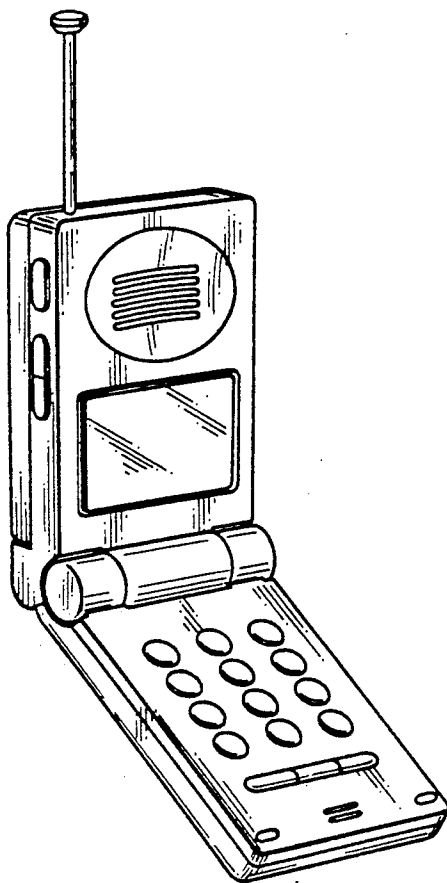
FIG. 5 is a rear elevational view thereof;

FIG. 6 is a left side elevational view thereof;

FIG. 7 is a bottom plan view thereof;

FIG. 8 is a front elevational view thereof in a closed position; and

FIG. 9 is a right side elevational view thereof in a closed position.



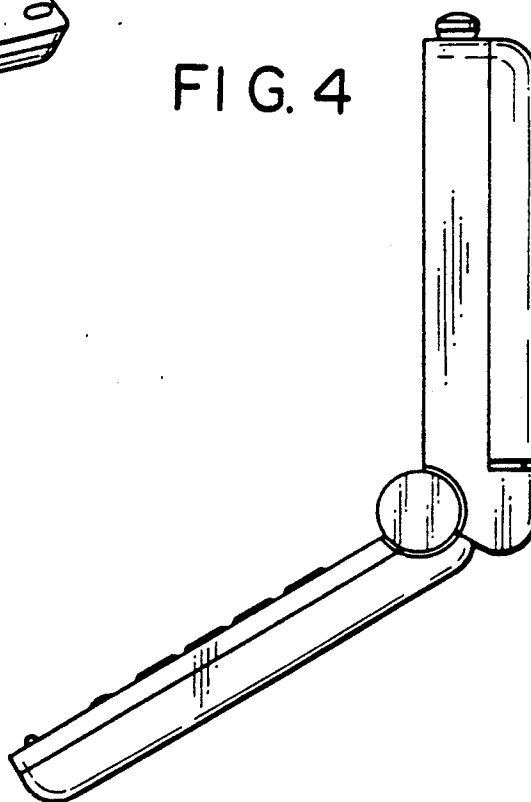
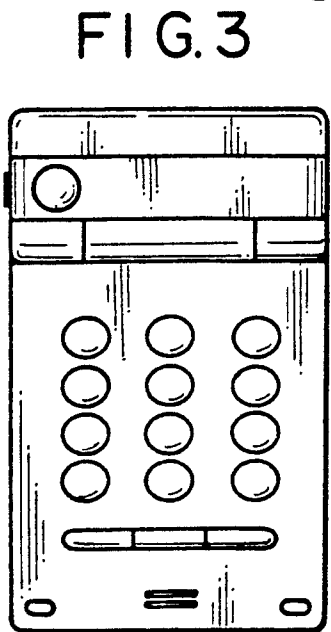
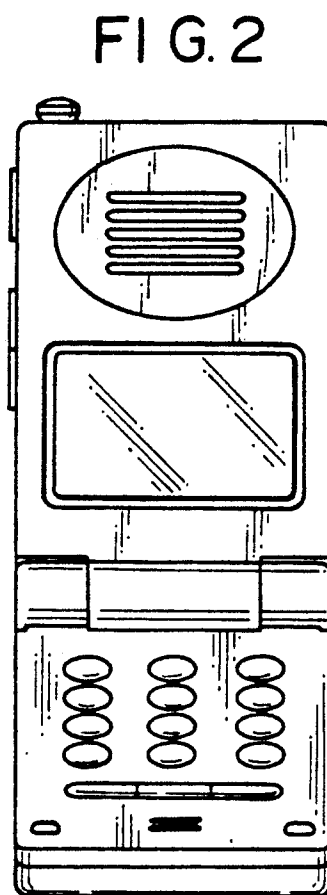
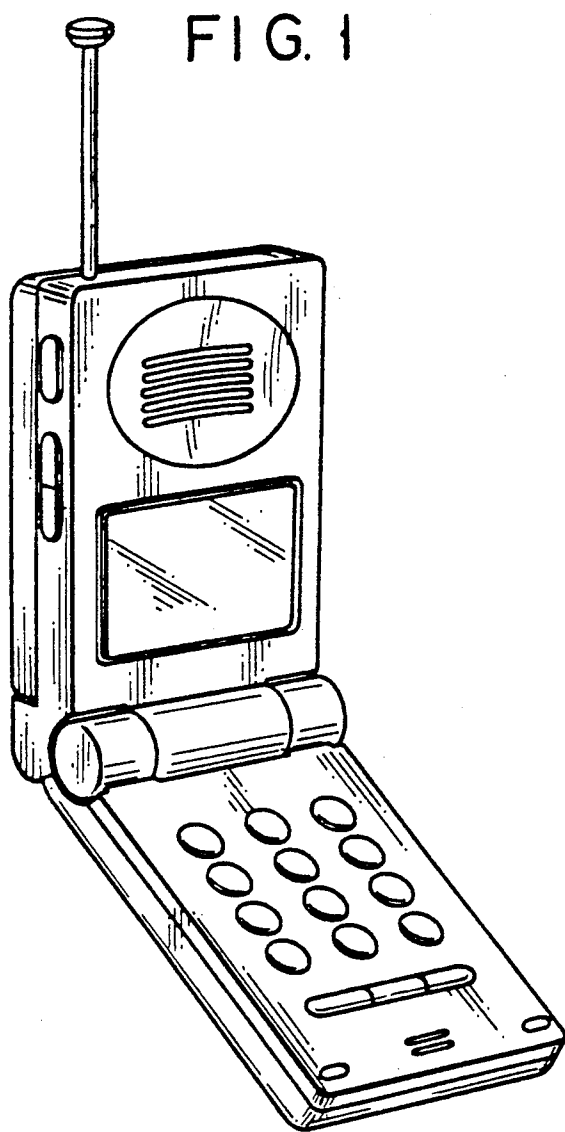


FIG. 5

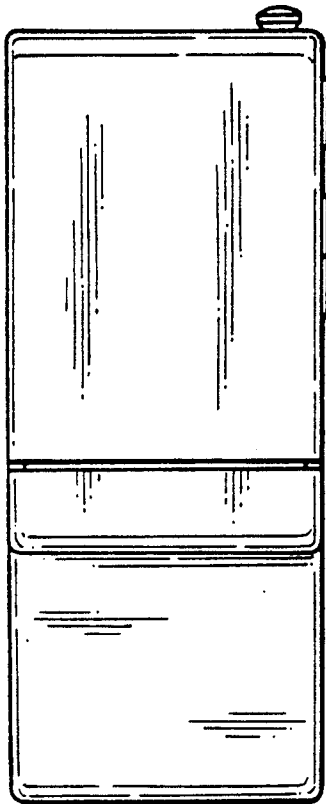


FIG. 6

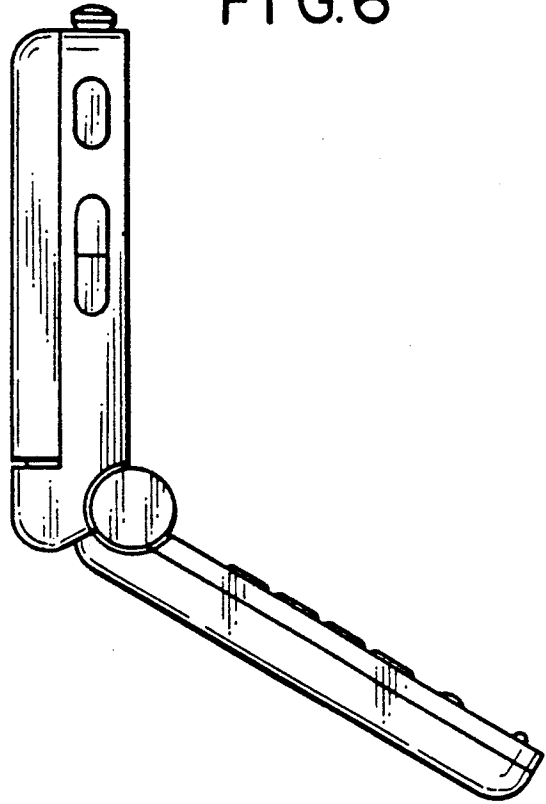


FIG. 7

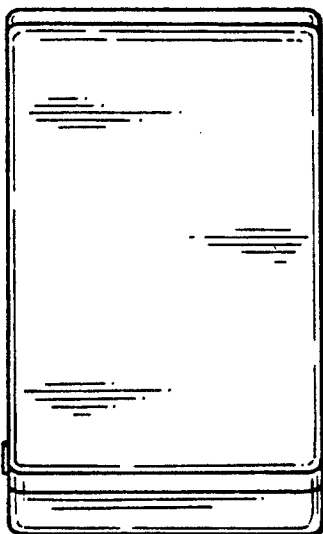


FIG. 8

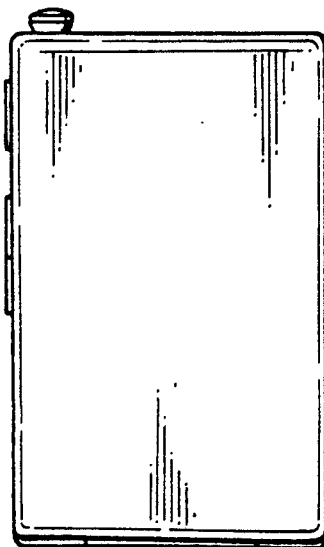


FIG. 9

