



US00D795622S

(12) **United States Design Patent**
Diffrient et al.

(10) **Patent No.:** **US D795,622 S**

(45) **Date of Patent:** **** Aug. 29, 2017**

- (54) **CHAIR BACK**
- (71) Applicant: **Humanscale Corporation**, New York, NY (US)
- (72) Inventors: **Niels Diffrient**, New York, NY (US);
Jim Sortor, New York, NY (US);
Shaun Smith, New York, NY (US);
Mesve Vardar, New York, NY (US);
Cory Brechbill, New York, NY (US);
Jeff Theesfeld, New York, NY (US)
- (73) Assignee: **Humanscale Corporation**, New York, NY (US)

D679,107 S *	4/2013	Darrow	D6/366
8,449,037 B2 *	5/2013	Behar	A47C 7/40
				297/284.2
D703,457 S *	4/2014	Plikat	D6/366
D713,664 S *	9/2014	Vetter	D6/716
D723,851 S *	3/2015	Plikat	D6/366
D772,592 S *	11/2016	Su	D6/366
D775,847 S *	1/2017	Wagner	D6/366
D777,494 S *	1/2017	Prestwich	D6/716.4

(**) Term: **15 Years**

(21) Appl. No.: **29/567,412**

(22) Filed: **Jun. 8, 2016**

(51) **LOC (10) CL.** **06-01**

(52) **U.S. CL.**
USPC **D6/716.4**

(58) **Field of Classification Search**
USPC D6/334-336, 366, 367, 374, 379, 380,
D6/716, 716.1, 716.2, 716.4
CPC A47C 7/40; A47C 7/44; A47C 7/46; A47C
7/022; A47C 7/282; A47C 7/285
See application file for complete search history.

(56) **References Cited**

U.S. PATENT DOCUMENTS

1,860,096 A *	5/1932	Headley	A47C 7/40
				297/358
D540,578 S *	4/2007	Chen	D6/366
D541,063 S *	4/2007	Su	D6/366
7,213,880 B2 *	5/2007	Schmitz	A47C 7/46
				297/300.2
D548,992 S *	8/2007	Koepke	D6/366
D572,948 S *	7/2008	Wakasugi	D6/366
D597,349 S *	8/2009	Wilkinson	D6/716
D627,174 S *	11/2010	Romero	D6/366
D641,561 S *	7/2011	Tsai	D6/366

OTHER PUBLICATIONS

Herman Miller Chair, http://decobizz.com/best/best-rated_ergonomic_office_chairs.html, known at least as early as May 27, 2016, 2 pgs.
Diffrient Smart Chair, <https://www.humanscale.com/products/product.cfm?group=DiffrientSmartChair>, known at least as early as Jun. 7, 2016, 1 pg.

* cited by examiner

Primary Examiner — Mimosa De
(74) *Attorney, Agent, or Firm* — Womble Carlyle Sandridge & Rice, LLP

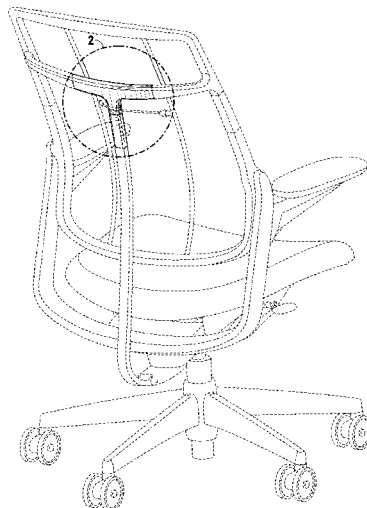
(57) **CLAIM**

We claim the ornamental design for a chair back, as shown and described.

DESCRIPTION

FIG. 1 is a rear perspective view of our new design; FIG. 2 is a detailed perspective view thereof; FIG. 3 is a left side view thereof, the right side being a mirror image thereof; FIG. 4 is a detailed left side view thereof; and, FIG. 5 is a rear view thereof.
The views of the chair back not shown form no part of the claimed design. The dash-dash lines in the figures show portions and features that form no part of the claimed design. The dash-dot lines in the figures represent the unclaimed boundary of the design.

1 Claim, 5 Drawing Sheets



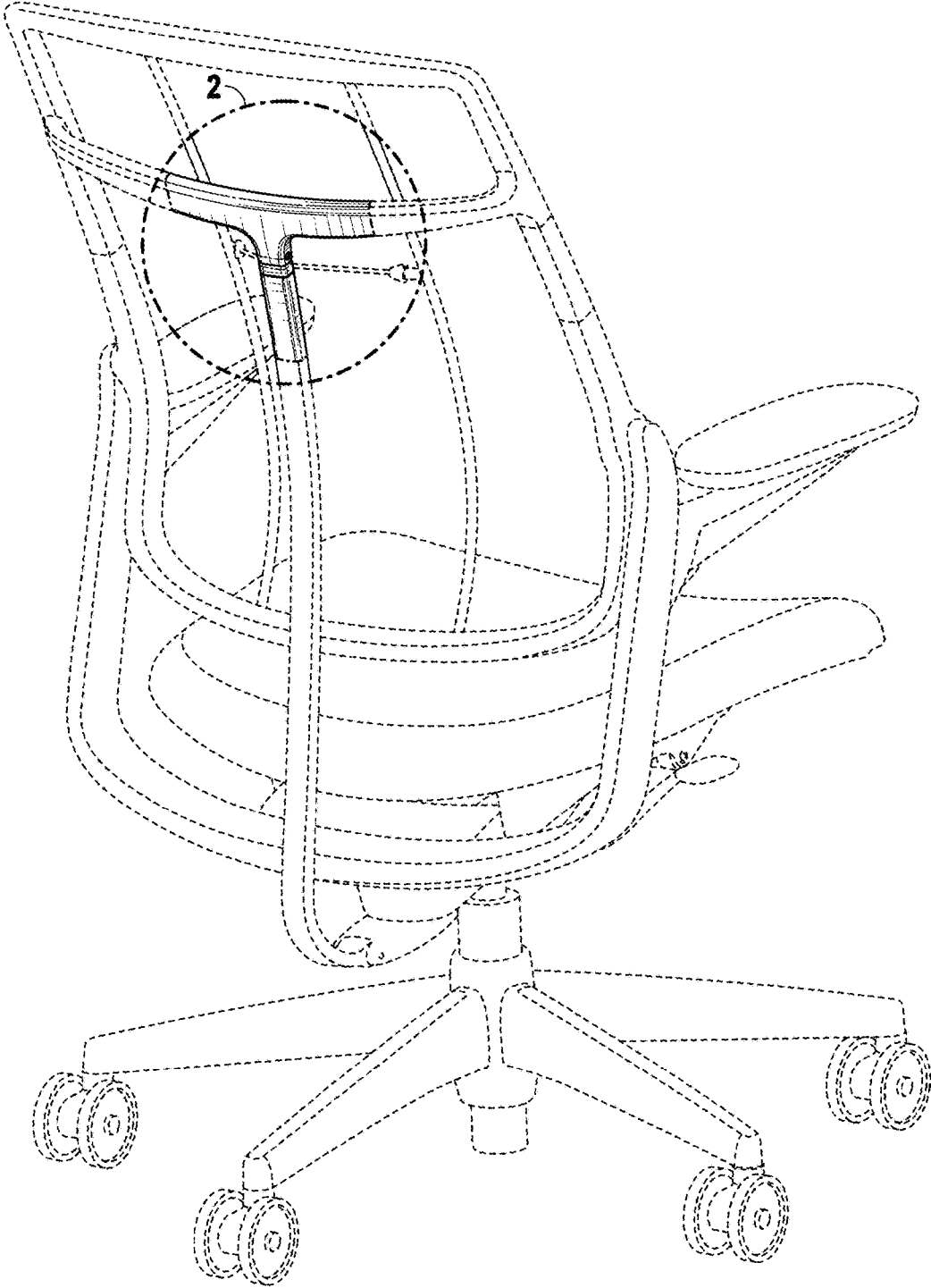


FIG. 1

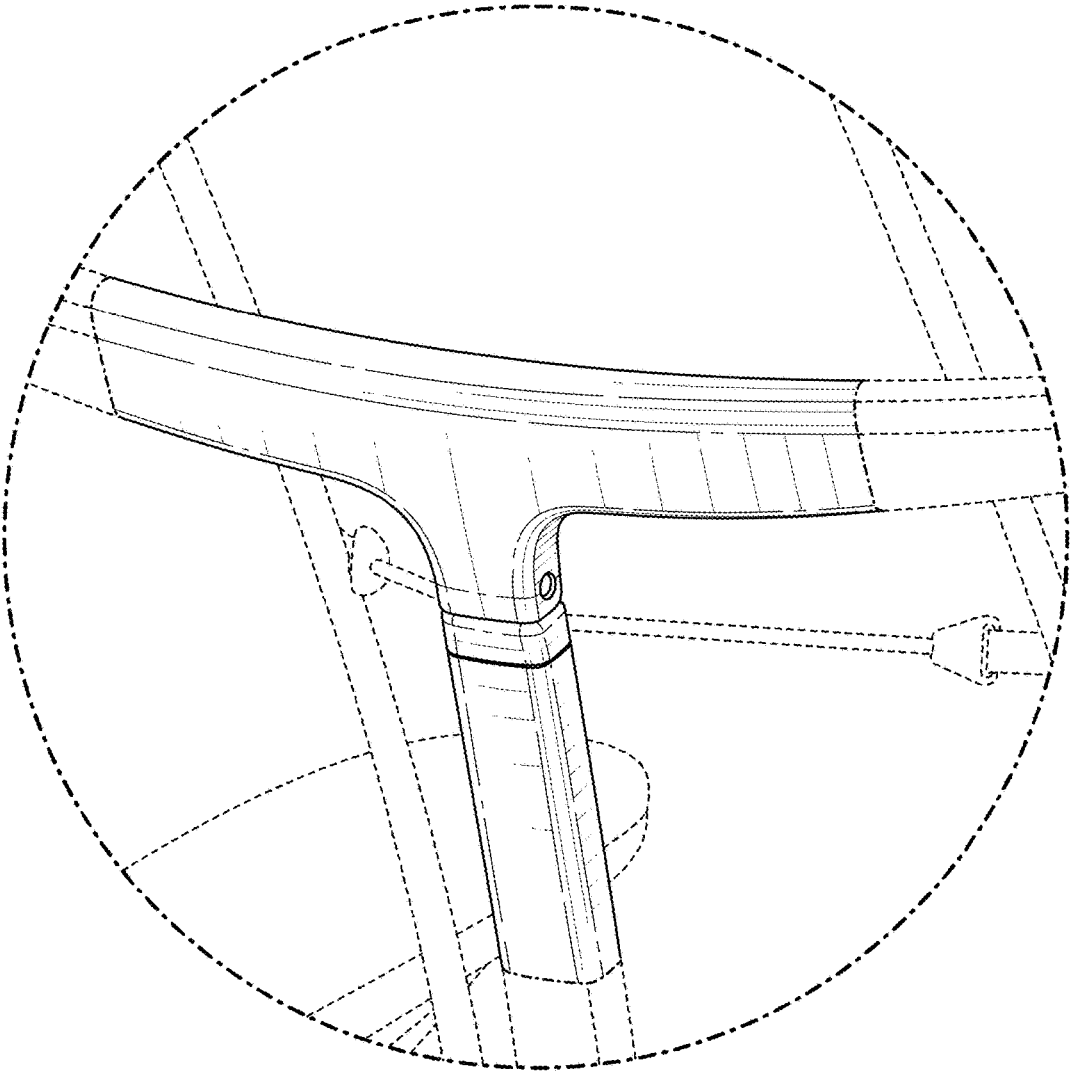


FIG. 2

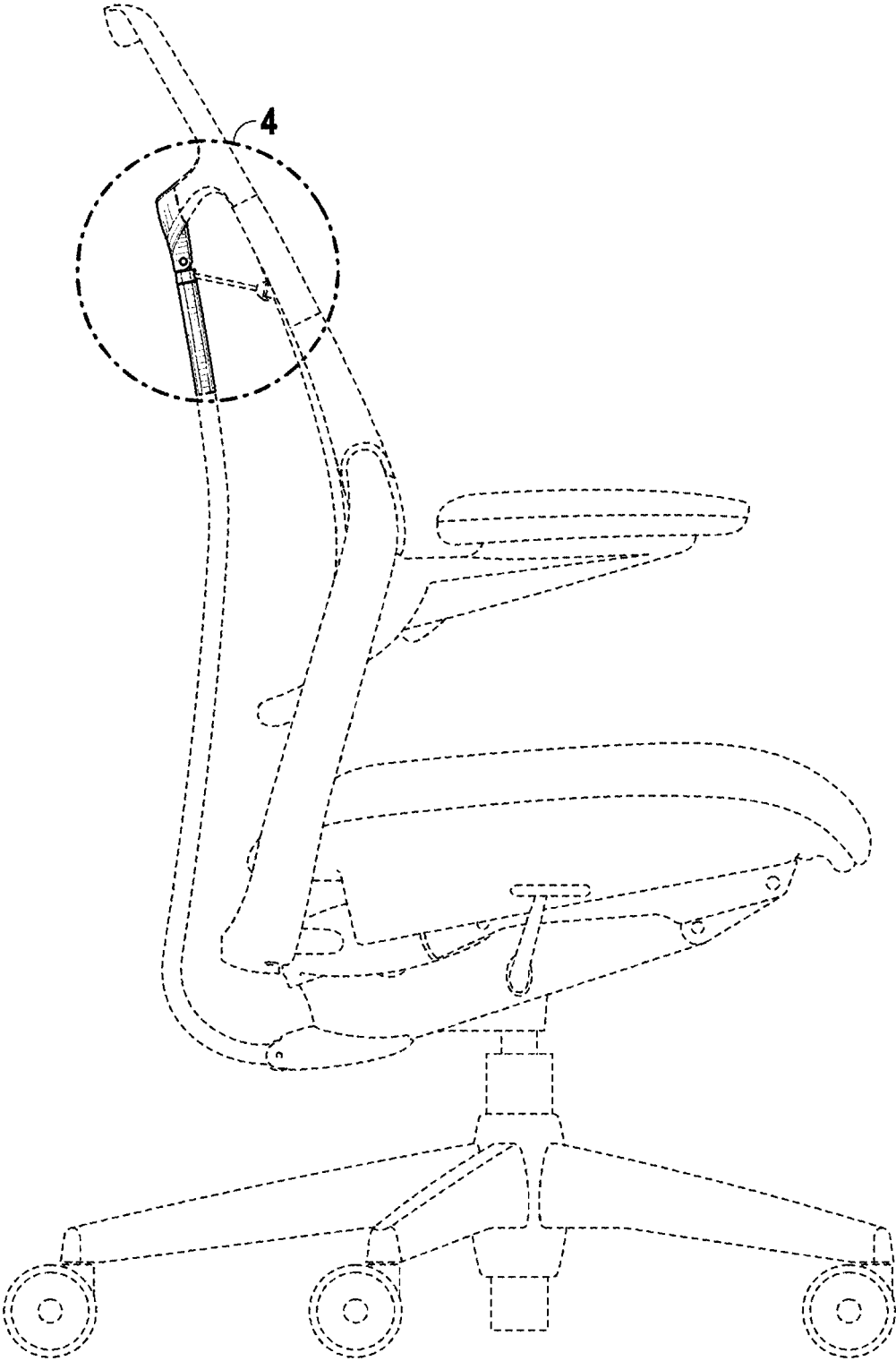


FIG. 3

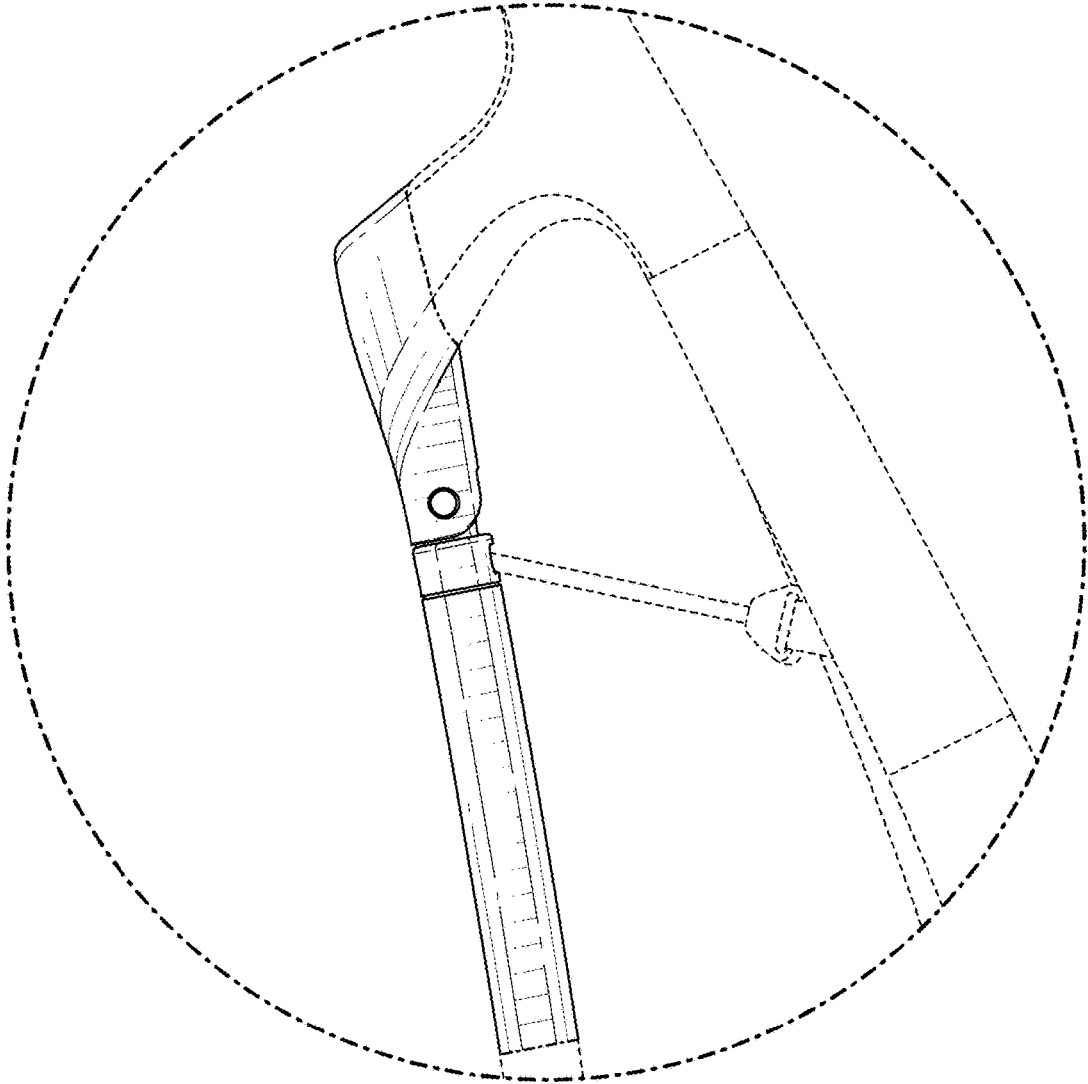


FIG. 4

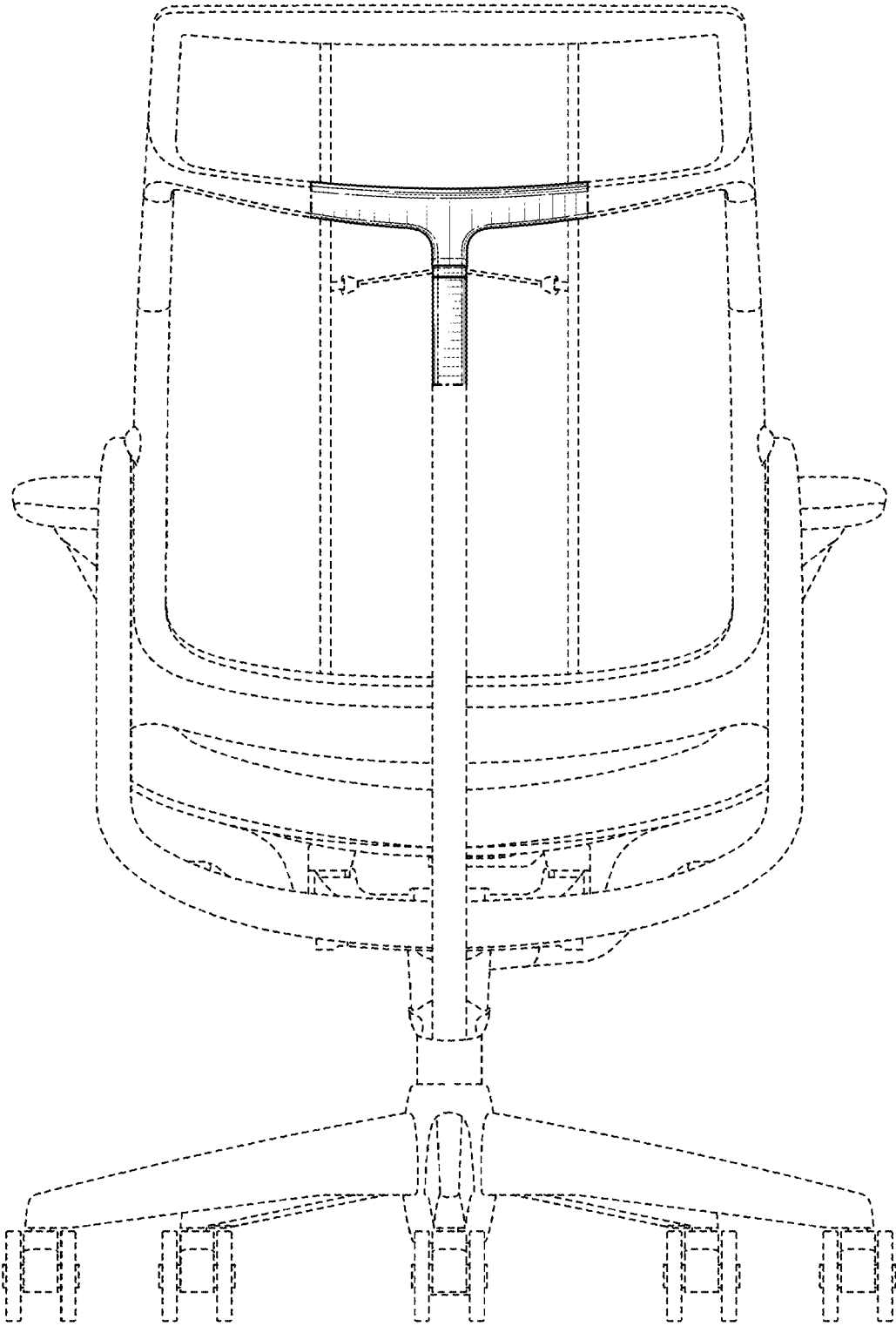


FIG. 5