



US00D684976S

(12) **United States Design Patent**
Akana et al.

(10) **Patent No.:** **US D684,976 S**

(45) **Date of Patent:** **** Jun. 25, 2013**

(54) **ADAPTER**

(76) Inventors: **Jody Akana**, San Francisco, CA (US);
Bartley K. Andre, Menlo Park, CA (US);
Jeremy Bataillou, San Francisco, CA (US);
Daniel J. Coster, San Francisco, CA (US);
Daniele De Iullis, San Francisco, CA (US);
M. Evans Hankey, San Francisco, CA (US);
Julian Hoenig, San Francisco, CA (US);
Richard P. Howarth, San Francisco, CA (US);
Jonathan P. Ive, San Francisco, CA (US);
Duncan Robert Kerr, San Francisco, CA (US);
Shin Nishibori, Kailua, HI (US);
Matthew Dean Rohrbach, San Francisco, CA (US);
Peter Russell-Clarke, San Francisco, CA (US);
Christopher J. Stringer, Woodside, CA (US);
Eugene Antony Whang, San Francisco, CA (US);
Rico Zorkendorfer, San Francisco, CA (US)

(**) Term: **14 Years**

(21) Appl. No.: **29/431,556**

(22) Filed: **Sep. 7, 2012**

(51) **LOC (9) Cl.** **14-02**

(52) **U.S. Cl.**
USPC **D14/433**

(58) **Field of Classification Search**
USPC D14/356-358, 383-385, 420, 426,
D14/427, 432-439, 447, 453, 454, 217, 253,
D14/299; D13/107, 108, 133, 146, 147, 152,
D13/154, 156, 158, 162, 162.1, 168, 173,
D13/177; 439/131, 172-174, 373, 378;
361/679.08, 679.56, 679.21, 679.4

See application file for complete search history.

(56) **References Cited**

U.S. PATENT DOCUMENTS

D304,028	S	10/1989	Matsuzaki	
5,179,501	A	1/1993	Ocken et al.	
D336,746	S	* 6/1993	Tse	D14/433
D369,157	S	4/1996	Ohmori et al.	
5,568,006	A	10/1996	Luff et al.	
D399,047	S	10/1998	Yoshida et al.	
6,137,710	A	10/2000	Iwasaki et al.	

(Continued)

FOREIGN PATENT DOCUMENTS

WO	WO 2006/074348	A1	7/2006	
WO	WO 2011/150403	A1	12/2011	

(Continued)

OTHER PUBLICATIONS

Co-Pending U.S. Appl. No. 29/441,757, Akana et al., "USB Device," filed Jan. 9, 2013 (Not Published).

(Continued)

Primary Examiner — Austin Murphy

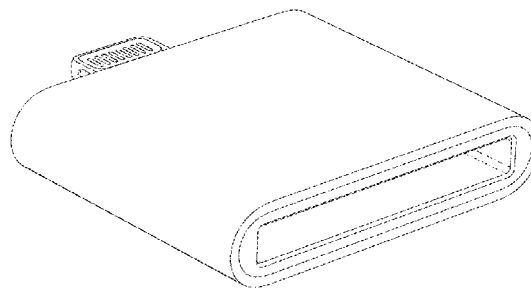
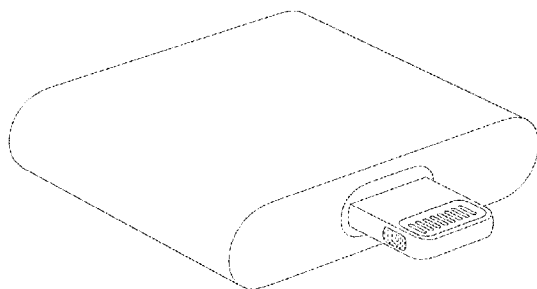
(57) **CLAIM**

The ornamental design for an adapter, as shown and described.

DESCRIPTION

FIG. 1 is a top front perspective view of an adapter showing our new design;
FIG. 2 is a bottom rear perspective view thereof;
FIG. 3 is a front view thereof, the rear view being a mirror image thereof;
FIG. 4 is a side view thereof, the other side view being a mirror image thereof;
FIG. 5 is a bottom view thereof; and,
FIG. 6 is a top view thereof.
The shadelines in the Figures show contour and not surface ornamentation.

1 Claim, 4 Drawing Sheets



U.S. PATENT DOCUMENTS

D446,499 S 8/2001 Andre et al.
D452,245 S 12/2001 Wallace et al.
D452,246 S 12/2001 Wallace et al.
D454,110 S 3/2002 Andre et al.
6,483,038 B2 11/2002 Lee et al.
D487,747 S 3/2004 Yu et al.
D490,796 S 6/2004 Allen
D515,545 S 2/2006 Griffin
D522,463 S 6/2006 Novotney et al.
D525,977 S 8/2006 Yao
7,094,089 B2 8/2006 Andre et al.
D531,127 S 10/2006 Zhong et al.
D534,184 S 12/2006 Leija et al.
D534,545 S 1/2007 Leija et al.
D537,036 S * 2/2007 Chen D14/433
D537,780 S 3/2007 Suckle
D552,099 S 10/2007 Nishizawa et al.
D552,604 S 10/2007 Andre et al.
7,341,472 B2 3/2008 Chao et al.
D565,571 S * 4/2008 Trifilio et al. D14/434
D569,848 S 5/2008 Suzuki
D574,834 S * 8/2008 Chen D14/432
D577,008 S 9/2008 Andre et al.
D577,990 S 10/2008 Andre et al.
D578,991 S 10/2008 Donovan et al.
D587,209 S 2/2009 Tsai et al.
D588,545 S 3/2009 Andre et al.
D594,418 S 6/2009 Fujino et al.
D604,725 S * 11/2009 Chen D14/240
D605,650 S * 12/2009 Ribeiro D14/433
D607,886 S 1/2010 Bolotin et al.
D617,776 S 6/2010 Hightower
D618,226 S * 6/2010 Tong et al. D14/240
D618,240 S 6/2010 Larmour et al.
D619,127 S * 7/2010 Tong et al. D14/240
D621,785 S 8/2010 Nickol
D624,548 S * 9/2010 Yamamoto D14/433
D631,883 S * 2/2011 Maier D14/435.1
D634,326 S 3/2011 Gehrke
D637,193 S 5/2011 Andre et al.
D641,023 S * 7/2011 Chen et al. D14/433
D643,040 S 8/2011 Sedio et al.
D655,296 S 3/2012 Andre et al.
D656,147 S 3/2012 Schlosstein
D658,665 S 5/2012 Akana et al.
D659,150 S 5/2012 Andre
D665,734 S * 8/2012 Fitch et al. D13/107
D665,754 S 8/2012 Cobbett et al.
D672,780 S * 12/2012 Chen et al. D14/433
2002/0170972 A1 11/2002 Kim
2005/0202727 A1 9/2005 Andre et al.
2007/0229025 A1 10/2007 Tsai et al.
2007/0293079 A1 12/2007 Chao et al.
2011/0199729 A1 8/2011 Hsieh
2012/0252256 A1 10/2012 Zhu et al.

FOREIGN PATENT DOCUMENTS

WO WO 2011/160138 A2 12/2011
WO WO 2011/163256 A1 12/2011
WO WO 2011/163260 A1 12/2011
WO WO 2012/103383 A2 8/2012

OTHER PUBLICATIONS

U.S. Appl. No. 29/353,310, Akana et al., "SD Card Reader," filed Jan. 6, 2010 (Not Published).
U.S. Appl. No. 29/375,909, Andre et al., "Connector," filed Sep. 29, 2010 (Not Published).
U.S. Appl. No. 13/250,920, Siahaan et al., "Connector with Multi-Layer NI Underplated Contacts," filed Sep. 30, 2011 (Not Published).
U.S. Appl. No. 29/403,337, Akana et al., "USB Adapter," filed Oct. 4, 2011 (Not Published).
U.S. Appl. No. 13/346260, Jol et al., "Hotbar Device and Methods for Assembling Electrical Contacts to Ensure Co-Planarity," filed Jan. 9, 2012 (Not Published).
U.S. Appl. No. 29/424,257, Akana et al., "Connector," filed Jun. 8, 2012 (Not Published).

U.S. Appl. No. 29/424,258, Akana et al., "Adapter," filed Jun. 8, 2012 (Not Published).
U.S. Appl. No. 61/668,074, Terlizzi et al., "Techniques for Monitoring Contacts in a Connector," filed Jul. 5, 2012 (Not Published).
U.S. Appl. No. 61/693,228, Weber et al., "Self-Lubricating Retention Mechanism," filed Aug. 24, 2012 (Not Published).
U.S. Appl. No. 61/693,232, Weber et al., "Retention Mechanism Having Improved Fatigue Strength," filed Aug. 24, 2012 (Not Published).
U.S. Appl. No. 61/698,496, Zadesky et al., "Context Aware Functionality in a Portable Electronic Device," filed Sep. 7, 2012 (Not Published).
U.S. Appl. No. 61/698,538, Soohoo et al., "Plug Connector," filed Sep. 7, 2012 (Not Published).
U.S. Appl. No. 13/607,366, Golko et al., "Dual Orientation Electronic Connector," filed Sep. 7, 2012 (Not Published).
U.S. Appl. No. 13/607,404, Mullins et al., "Techniques for Detecting Removal of a Connector," filed Sep. 7, 2012 (Not Published).
U.S. Appl. No. 13/607,426, Mullins et al., "Data Structures for Facilitating Communication Between a Host Device and an Accessory," filed Sep. 7, 2012 (Not Published).
U.S. Appl. No. 13/607,430, Sarwar et al., "Audio/Video Connector for an Electronic Device," filed Sep. 7, 2012 (Not Published).
U.S. Appl. No. 13/607,443, Fritchman et al., "Connector Adapter," filed Sep. 7, 2012 (Not Published).
U.S. Appl. No. 13/607,446, Terlizzi et al., "Cascading Power for Accessories," filed Sep. 7, 2012 (Not Published).
U.S. Appl. No. 13/607,454, Andrews et al., "Accessory Booting Over USB," filed Sep. 7, 2012 (Not Published).
U.S. Appl. No. 13/607,462, Golko et al., "Connector Architecture and Insertion Profile," filed Sep. 7, 2012 (Not Published).
U.S. Appl. No. 13/607,473, Mullins et al., "Methods, Systems and Apparatus for Determining Whether an Accessory Includes Particular Circuitry," filed Sep. 7, 2012 (Not Published).
U.S. Appl. No. 13/607,478, Mullins et al., "Methods, Systems and Apparatus for Enabling an Accessory for Use with a Host Device," filed Sep. 7, 2012 (Not Published).
U.S. Appl. No. 13/607,497, Weber et al., "Retention Mechanism Device," filed Sep. 7, 2012 (Not Published).
U.S. Appl. No. 13/607,502, Weber et al., "Underfill Applicator Device and Methods for Assembling Electrical Contacts," filed Sep. 7, 2012 (Not Published).
U.S. Appl. No. 13/607,519, Terlizzi et al., "Adapter for Electronic Devices," filed Sep. 7, 2012 (Not Published).
U.S. Appl. No. 13/607,528, Ardisana, II et al., "Reinforcing Bars in I/O Connectors," filed Sep. 7, 2012 (Not Published).
U.S. Appl. No. 13/607,550, Terlizzi et al., "Techniques for Configuring Contacts of a Connector," filed Sep. 7, 2012 (Not Published).
U.S. Appl. No. 13/607,553, Rich et al., "Adapter for Use With a Portable Electronic Device," filed Sep. 7, 2012 (Not Published).
U.S. Appl. No. 13/607,554, Golko et al., "Insert-Molded Connector Contacts," filed Sep. 7, 2012 (Not Published).
U.S. Appl. No. 13/607,563, Golembeski et al., "Multi-Mode Adapter," filed Sep. 7, 2012 (Not Published).
U.S. Appl. No. 13/607,566, Golko et al., "Plug Connector Modules," filed Sep. 7, 2012 (Not Published).
U.S. Appl. No. 13/607,598, Colahan et al., "Compliant Mount for Connector," filed Sep. 7, 2012 (Not Published).
U.S. Appl. No. 13/607,600, Weber et al., "Retention Mechanism Having Improved Fatigue Strength," filed Sep. 7, 2012 (Not Published).
International Application No. PCT/US12/54318, Apple Inc., "Connectors for Electronic Devices," filed Sep. 7, 2012 (Not Published).
U.S. Appl. No. 61/699,818, Uttermann et al., "Connector Trim," filed Sep. 11, 2012 (Not Published).
U.S. Appl. No. 61/699,838, Webb et al., "Dock Connector With Compliance Mechanism," filed Sep. 11, 2012 (Not Published).
U.S. Appl. No. 13/610,326, Siahaan et al., "Assembly of a Cable," filed Sep. 11, 2012 (Not Published).
U.S. Appl. No. 13/610,631, Schmidt et al., "Connectors and Methods for Manufacturing Connectors," filed Sep. 11, 2012 (Not Published).
U.S. Appl. No. 13/610,750, Webb et al., "Single-Piece Shield Can," filed Sep. 11, 2012 (Not Published).

US D684,976 S

Page 3

U.S. Appl. No. 13/610,832, Webb et al., "Dock with Compliant Connector Mount," filed Sep. 11, 2012 (Not Published).
Co-Pending U.S. Appl. No. 29/426,587, Akana et al., "Connector," filed Jul. 6, 2012 (Not Published).
Co-Pending U.S. Appl. No. 29/431,841, Akana et al., "Adapter," filed Sep. 11, 2012 (Not Published).
Co-Pending U.S. Appl. No. 29/432,034, Akana et al., "Connector Silhouette," filed Sep. 12, 2012 (Not Published).

International Application No. PCT/CN2012/081245, Apple Inc., "Rack Plating," filed Sep. 11, 2012 (Not Published).

International Application No. PCT/CN2012/081257, Apple Inc., "Connectors and Method for Manufacturing Connectors," filed Sep. 11, 2012 (Not Published).

* cited by examiner

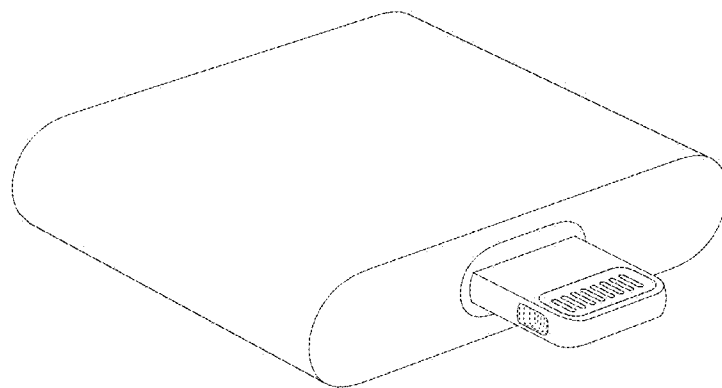


FIG. 1

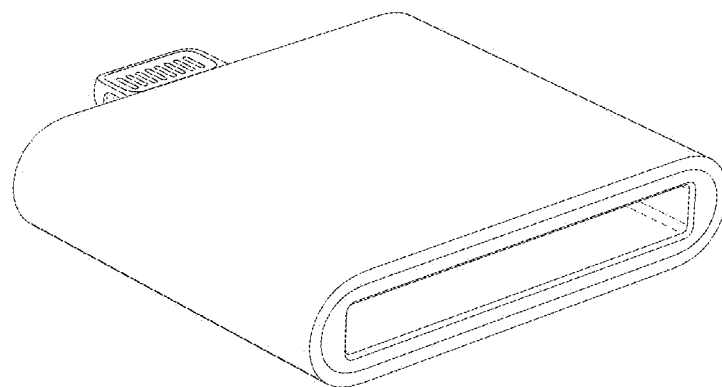


FIG. 2

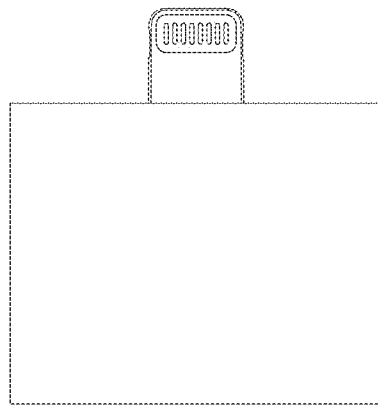


FIG. 3



FIG. 4

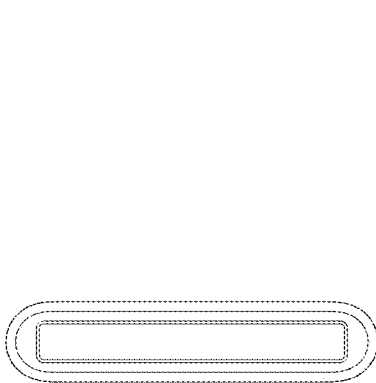


FIG. 5

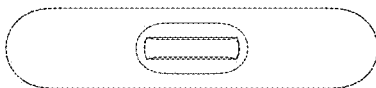


FIG. 6

UNITED STATES PATENT AND TRADEMARK OFFICE
CERTIFICATE OF CORRECTION

PATENT NO. : D684,976 S
APPLICATION NO. : 29/431556
DATED : June 25, 2013
INVENTOR(S) : Jody Akana et al.

Page 1 of 6

It is certified that error appears in the above-identified patent and that said Letters Patent is hereby corrected as shown below:

The Title page showing the illustrative figures should be deleted and replaced with the attached title page.

On the Title page, Change Item (76) to Item (75)

On the Title Page, please insert Item -- (73) Assignee: Apple Inc., Cupertino, CA (US) --

In the drawings:

Delete sheet 1 of 4 consisting of FIG. 1 and FIG. 2 replace with the attached sheet 1 of 4 showing FIG. 1 and FIG. 2

Delete sheet 2 of 4 consisting of FIG. 3 and replace with the attached sheet 2 of 4 showing FIG. 3

Delete sheet 3 of 4 consisting of FIG. 4 and replace with the attached sheet 3 of 4 showing FIG. 4

Delete sheet 4 of 4 consisting of FIG. 5 and FIG. 6 replace with the attached sheet 4 of 4 showing FIG. 5 and FIG. 6

Signed and Sealed this
Tenth Day of September, 2013



Teresa Stanek Rea
Acting Director of the United States Patent and Trademark Office

(12) **United States Design Patent** (10) **Patent No.:** **US D684,976 S**
Akana et al. (45) **Date of Patent:** **** Jun. 25, 2013**

(54) **ADAPTER**

(76) Inventors: **Jody Akana**, San Francisco, CA (US); **Bartley K. Andre**, Menlo Park, CA (US); **Jeremy Bataillon**, San Francisco, CA (US); **Daniel J. Coster**, San Francisco, CA (US); **Daniele De Iuliis**, San Francisco, CA (US); **M. Evans Hankey**, San Francisco, CA (US); **Jullan Hoenig**, San Francisco, CA (US); **Richard P. Howarth**, San Francisco, CA (US); **Jonathan P. Ive**, San Francisco, CA (US); **Duncan Robert Kerr**, San Francisco, CA (US); **Shin Nishibori**, Kailua, HI (US); **Matthew Dean Rohrbach**, San Francisco, CA (US); **Peter Russell-Clarke**, San Francisco, CA (US); **Christopher J. Stringer**, Woodside, CA (US); **Eugene Antony Whang**, San Francisco, CA (US); **Rico Zorkendorfer**, San Francisco, CA (US)

(**) Term: **14 Years**

(21) Appl. No.: **29/431,556**

(22) Filed: **Sep. 7, 2012**

(51) **LOC (9) Cl.** **14-02**

(52) **U.S. Cl.**
USPC **D14/433**

(58) **Field of Classification Search**
USPC **D14/356-358, 383-385, 420, 426, D14/427, 432-439, 447, 453, 454, 217, 253, D14/299; D13/107, 108, 133, 146, 147, 152, D13/154, 156, 158, 162, 162.1, 168, 173, D13/177; 439/131, 172-174, 373, 378; 361/679.08, 679.56, 679.21, 679.4**

See application file for complete search history.

(56) **References Cited**

U.S. PATENT DOCUMENTS

D304,028 S	10/1989	Matsuzaki	
5,179,501 A	1/1993	Ocken et al.	
D336,746 S *	6/1993	Tse	D14/433
D369,157 S	4/1996	Ohmori et al.	
5,568,006 A	10/1996	Luff et al.	
D399,047 S	10/1998	Yoshida et al.	
6,137,710 A	10/2000	Iwasaki et al.	

(Continued)

FOREIGN PATENT DOCUMENTS

WO	WO 2006/074348 A1	7/2006
WO	WO 2011/150403 A1	12/2011

(Continued)

OTHER PUBLICATIONS

Co-Pending U.S. Appl. No. 29/441,757, Akana et al., "USB Device," filed Jan. 9, 2013 (Not Published).

(Continued)

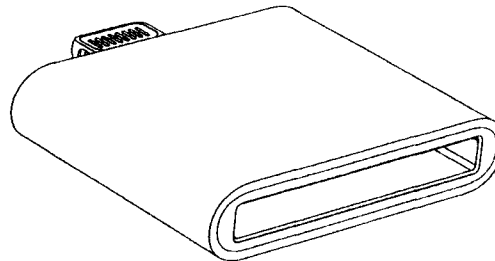
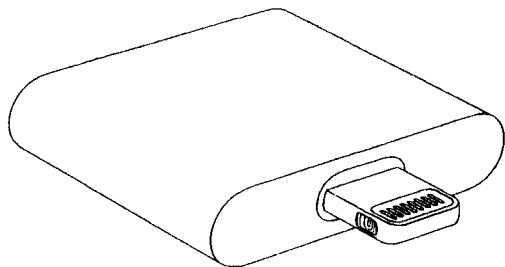
Primary Examiner — Austin Murphy

(57) **CLAIM**
 The ornamental design for an adapter, as shown and described.

DESCRIPTION

FIG. 1 is a top front perspective view of an adapter showing our new design;
 FIG. 2 is a bottom rear perspective view thereof;
 FIG. 3 is a front view thereof, the rear view being a mirror image thereof;
 FIG. 4 is a side view thereof, the other side view being a mirror image thereof;
 FIG. 5 is a bottom view thereof; and,
 FIG. 6 is a top view thereof.
 The shadelines in the Figures show contour and not surface ornamentation.

1 Claim, 4 Drawing Sheets



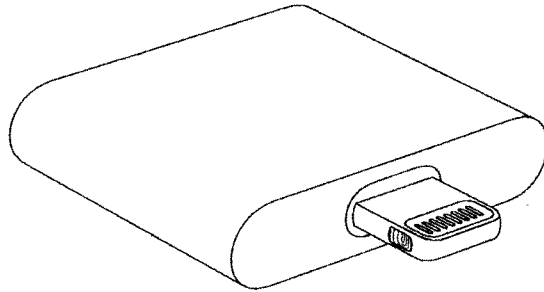


FIG. 1

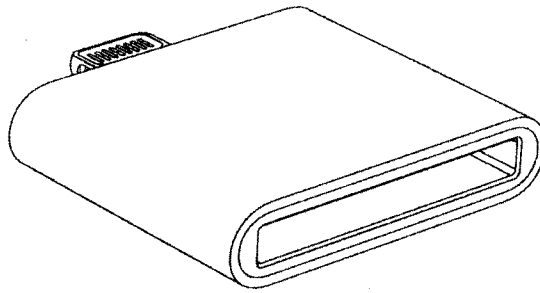


FIG. 2

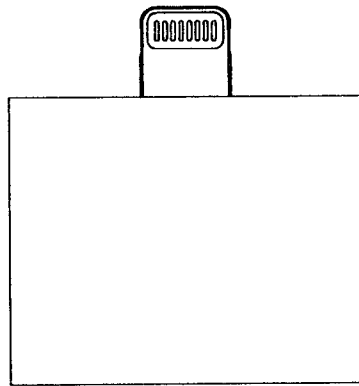


FIG. 3



FIG. 4

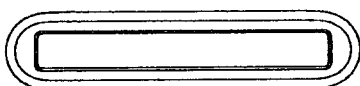


FIG. 5

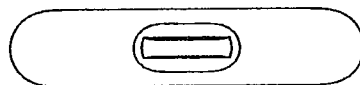


FIG. 6

UNITED STATES PATENT AND TRADEMARK OFFICE
CERTIFICATE OF CORRECTION

PATENT NO. : D684,976 S
APPLICATION NO. : 29/431556
DATED : June 25, 2013
INVENTOR(S) : Akana et al.

Page 1 of 1

It is certified that error appears in the above-identified patent and that said Letters Patent is hereby corrected as shown below:

On the title page, for item (74), please add “Attorney, Agent, or Firm- Sterne, Kessler, Goldstein & Fox PLLC”

Signed and Sealed this
Twelfth Day of November, 2013



Teresa Stanek Rea
Deputy Director of the United States Patent and Trademark Office